



US00D673025S

(12) **United States Design Patent**
Genord et al.

(10) **Patent No.:** **US D673,025 S**
(45) **Date of Patent:** **** Dec. 25, 2012**

(54) **DOOR LOCK**

(75) Inventors: **Daniel Genord**, South Lyon, MI (US);
Curtis J. Bailey, Birmingham, MI (US);
James M. Stenz, Fenton, MI (US);
Joshua Rigg, Clarkston, MI (US); **David**
J. Wilson, Kimball, MI (US)

(73) Assignee: **Schlage Lock Company, LLC**,
Indianapolis, IN (US)

(**) Term: **14 Years**

(21) Appl. No.: **29/426,288**

(22) Filed: **Jul. 3, 2012**

Related U.S. Application Data

(62) Division of application No. 29/410,828, filed on Jan. 12, 2012, now Pat. No. Des. 666,074, which is a division of application No. 29/367,709, filed on Aug. 12, 2010, now Pat. No. Des. 660,129.

(51) **LOC (9) Cl.** **08-07**

(52) **U.S. Cl.** **D8/331**

(58) **Field of Classification Search** D8/330,
D8/331, 334, 300, 301; 70/14, 20–22, 57,
70/57.1, 284–286, 314, DIG. 44
See application file for complete search history.

(56) **References Cited**

U.S. PATENT DOCUMENTS

5,475,996	A	12/1995	Chen	
5,987,945	A *	11/1999	Ruano Aramburu	70/277
6,725,693	B2 *	4/2004	Yu et al.	70/107
6,733,050	B1 *	5/2004	Yao	292/169
6,758,070	B2 *	7/2004	Yu et al.	70/107
D495,943	S *	9/2004	Hentschel et al.	D8/330

7,091,429	B2 *	8/2006	Case et al.	200/5 A
D533,763	S *	12/2006	Wright et al.	D8/330
D545,172	S *	6/2007	Kaiser et al.	D8/331
D552,966	S *	10/2007	Roberts et al.	D8/350
D552,967	S	10/2007	Roberts et al.	
D570,188	S	6/2008	Luo	
D576,016	S	9/2008	Min	
D581,246	S	11/2008	Conway	
D593,399	S	6/2009	Douglas et al.	
D595,109	S	6/2009	Doucet et al.	

(Continued)

OTHER PUBLICATIONS

Ingersoll Rand Security Technologies AD-Series Product Tour Brochure, dated Feb. 2, 2010.

(Continued)

Primary Examiner — Prabhakar Deshmukh

(74) *Attorney, Agent, or Firm* — Michael Best & Friedrich LLP

(57) **CLAIM**

We claim the ornamental design for a door lock, as shown and described.

DESCRIPTION

FIG. 1 is a perspective view of a door lock embodying the invention;

FIG. 2 is a front view of the door lock of FIG. 1;

FIG. 3 is a right side view of the door lock of FIG. 1;

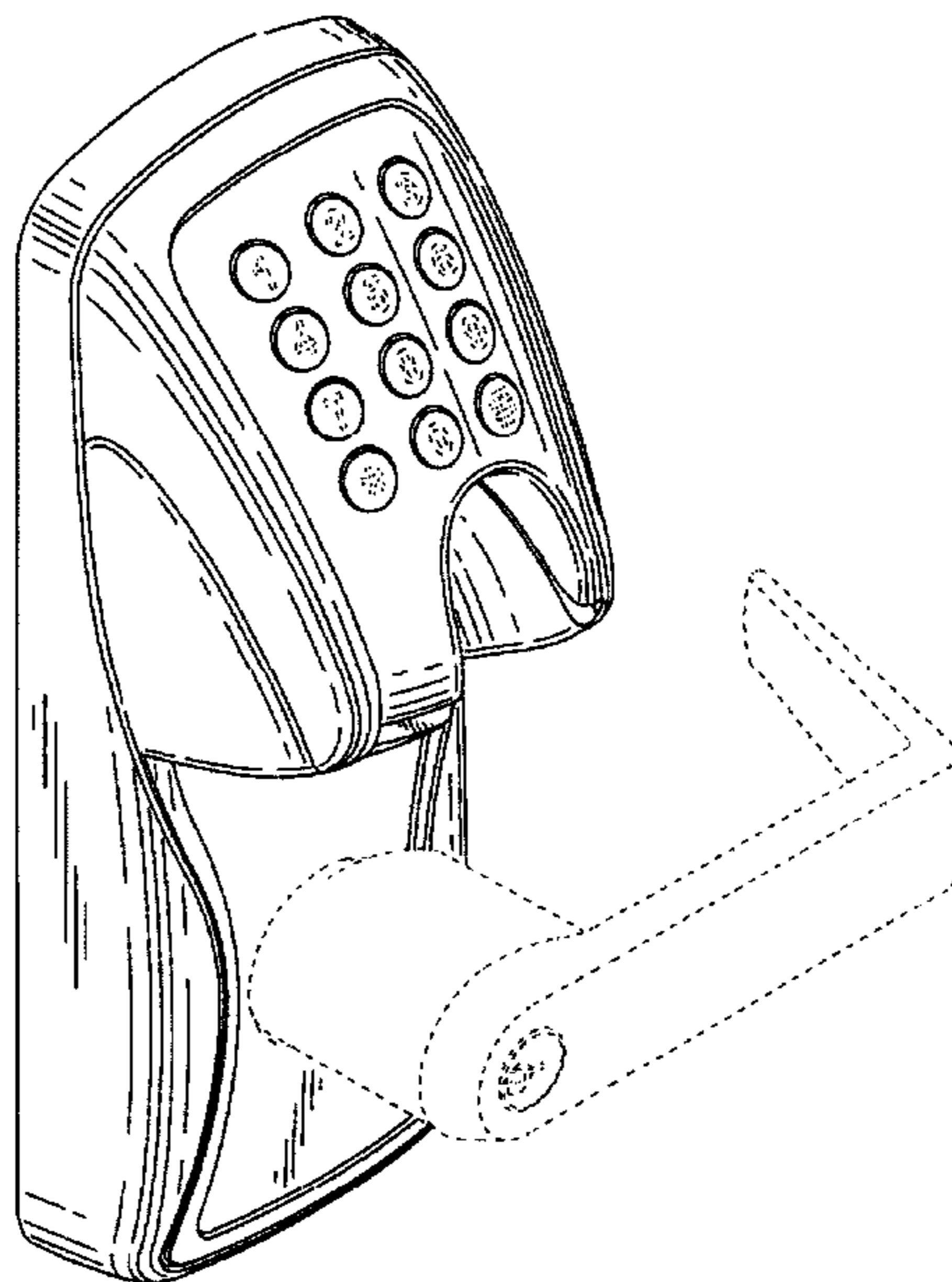
FIG. 4 is a left side view of the door lock of FIG. 1;

FIG. 5 is a bottom view of the door lock of FIG. 1; and,

FIG. 6 is a top view of the door lock of FIG. 1.

The elements shown in broken lines are included for the purpose of illustrating environment and form no part of the claimed design.

1 Claim, 4 Drawing Sheets



US D673,025 S

Page 2

U.S. PATENT DOCUMENTS

7,540,177 B1 6/2009 Luo
D607,303 S 1/2010 Kim et al.
D639,135 S 6/2011 Doucet et al.

OTHER PUBLICATIONS

Ingersoll Rand Security Technologies AD-200 Offline Electronic
Lock Brochure, dated Sep. 1, 2009.

Ingersoll Rand Security Technologies AD-250 Offline Electronic
Lock Brochure, dated Sep. 1, 2009.

Ingersoll Rand Security Technologies AD-300 Hardwired Electronic
Lock Brochure, dated Sep. 1, 2009.

Ingersoll Rand Security Technologies AD-400 Wireless Electronic
Lock Brochure, dated Sep. 1, 2009.

* cited by examiner

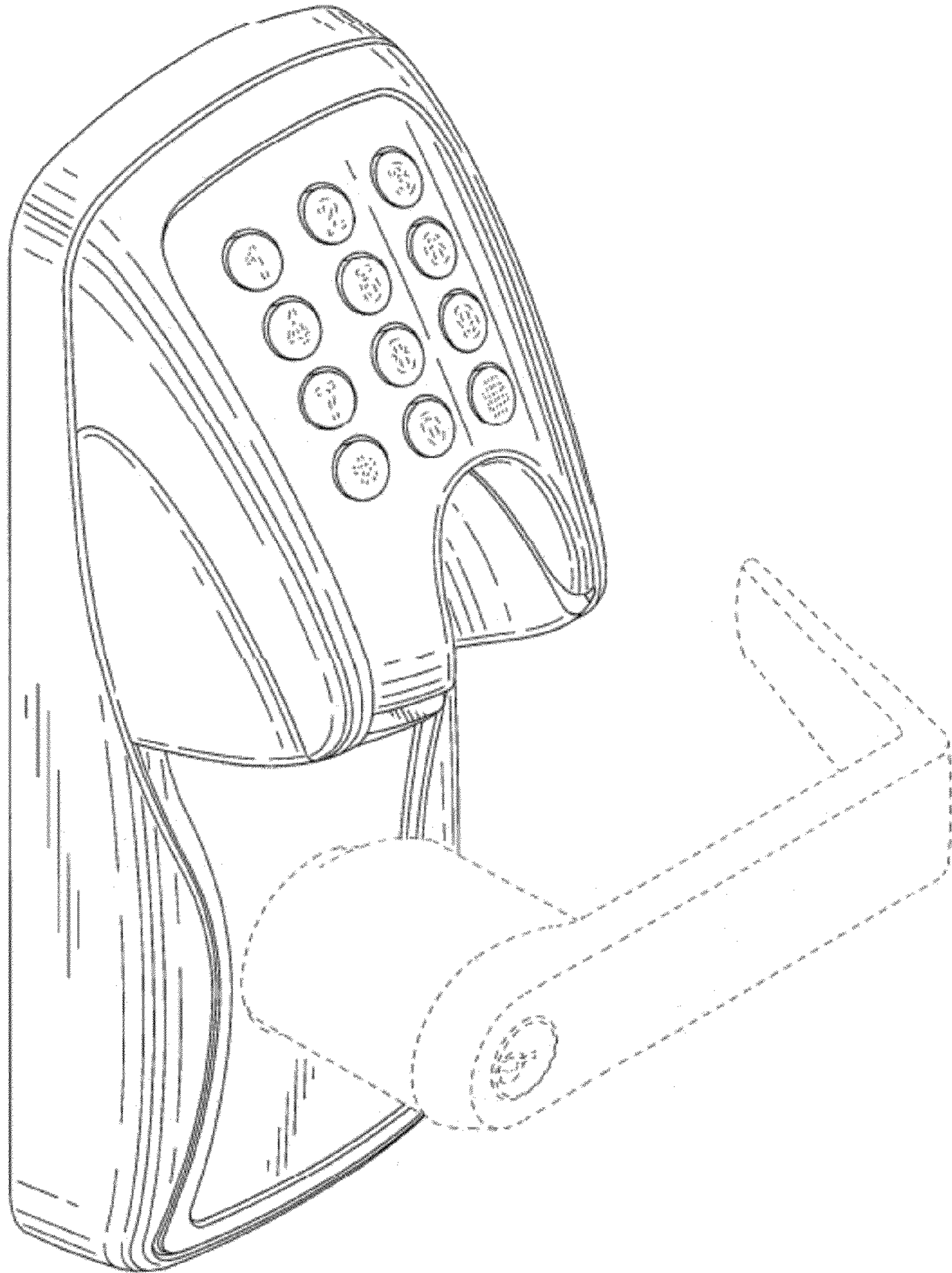


FIG. 1

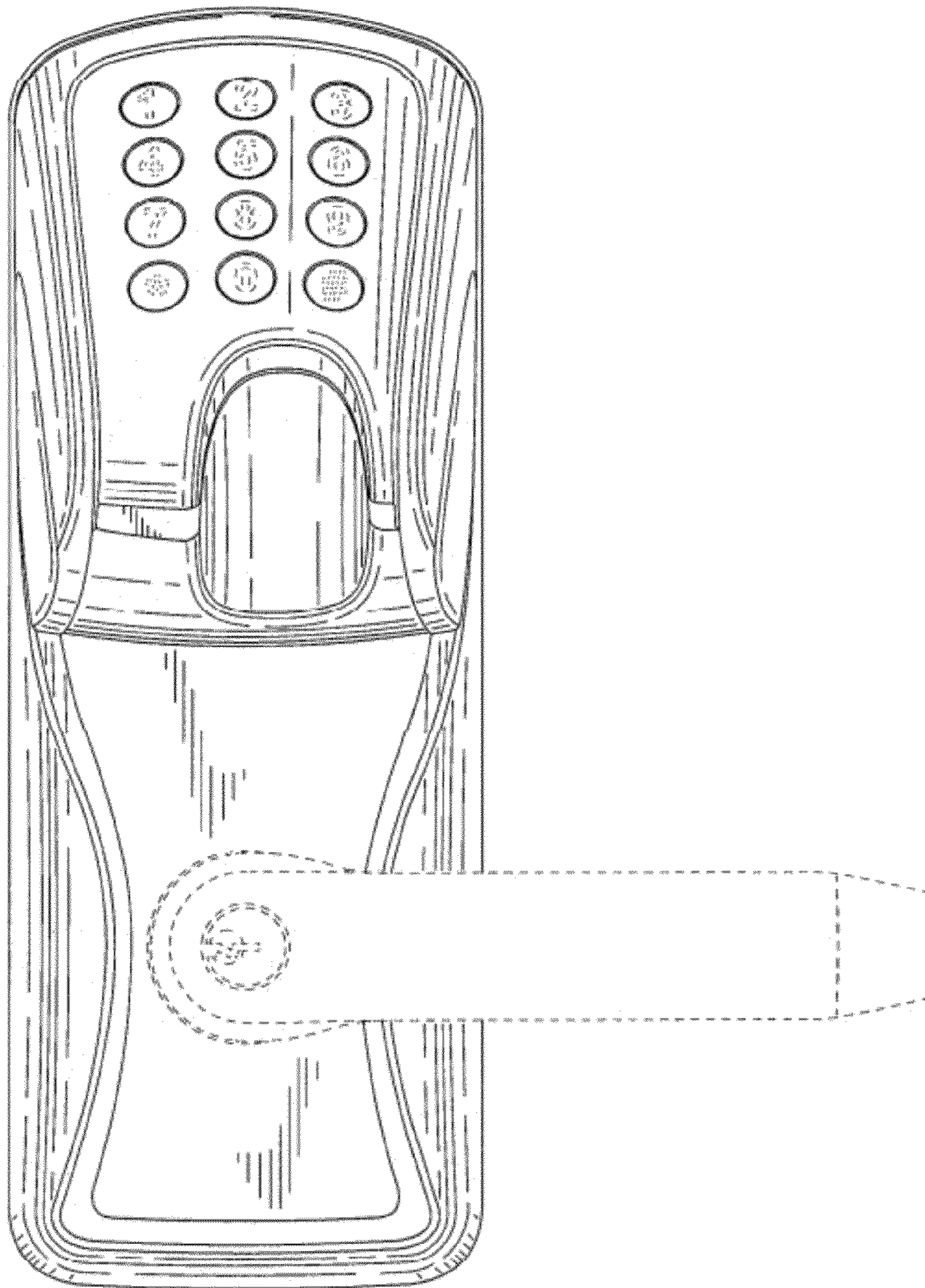


FIG. 2

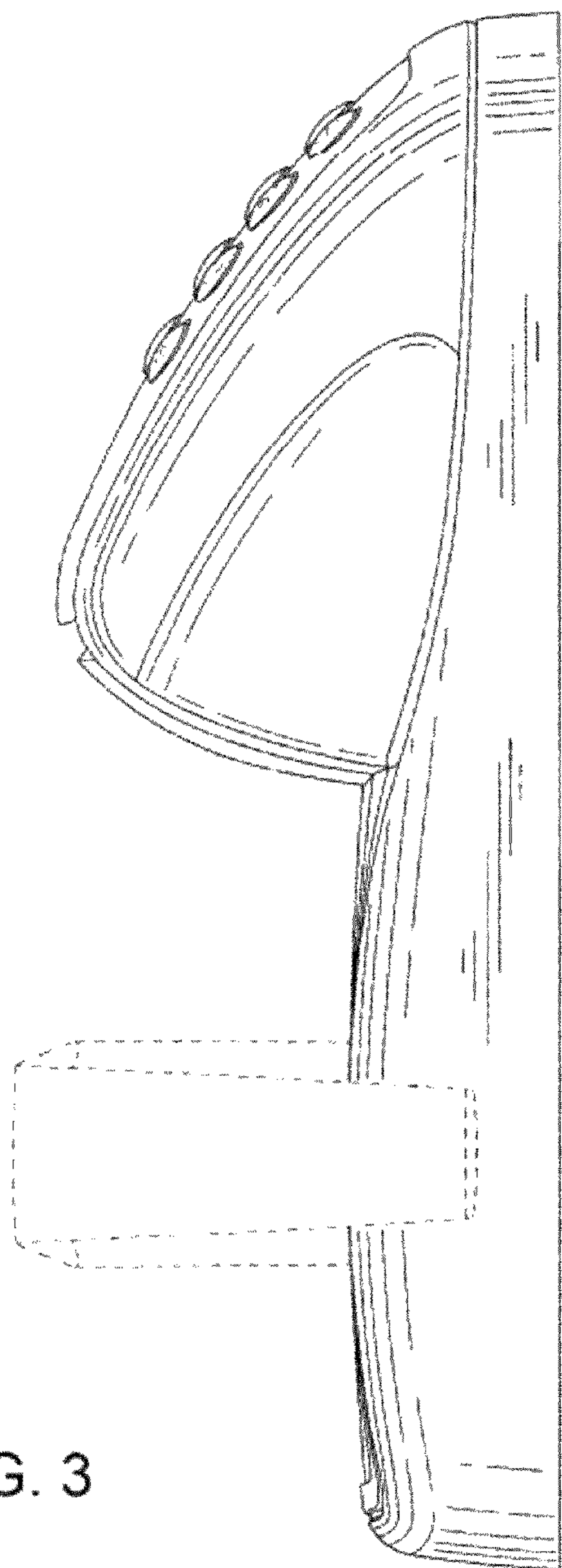


FIG. 3

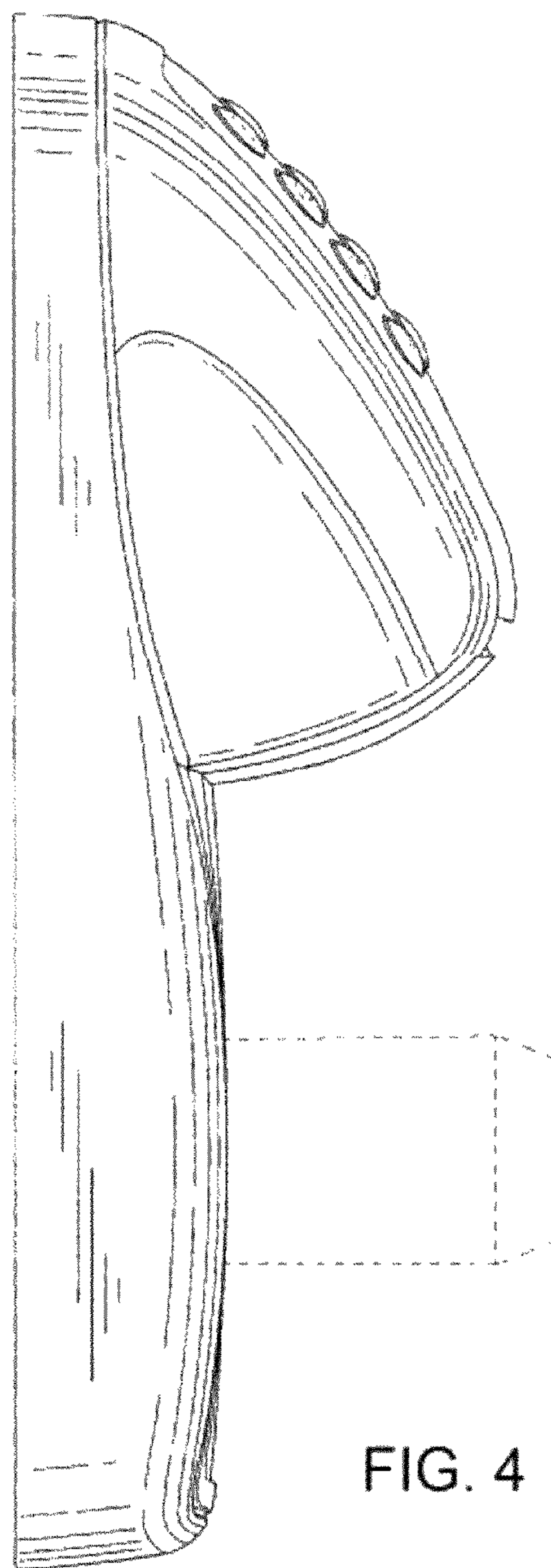


FIG. 4

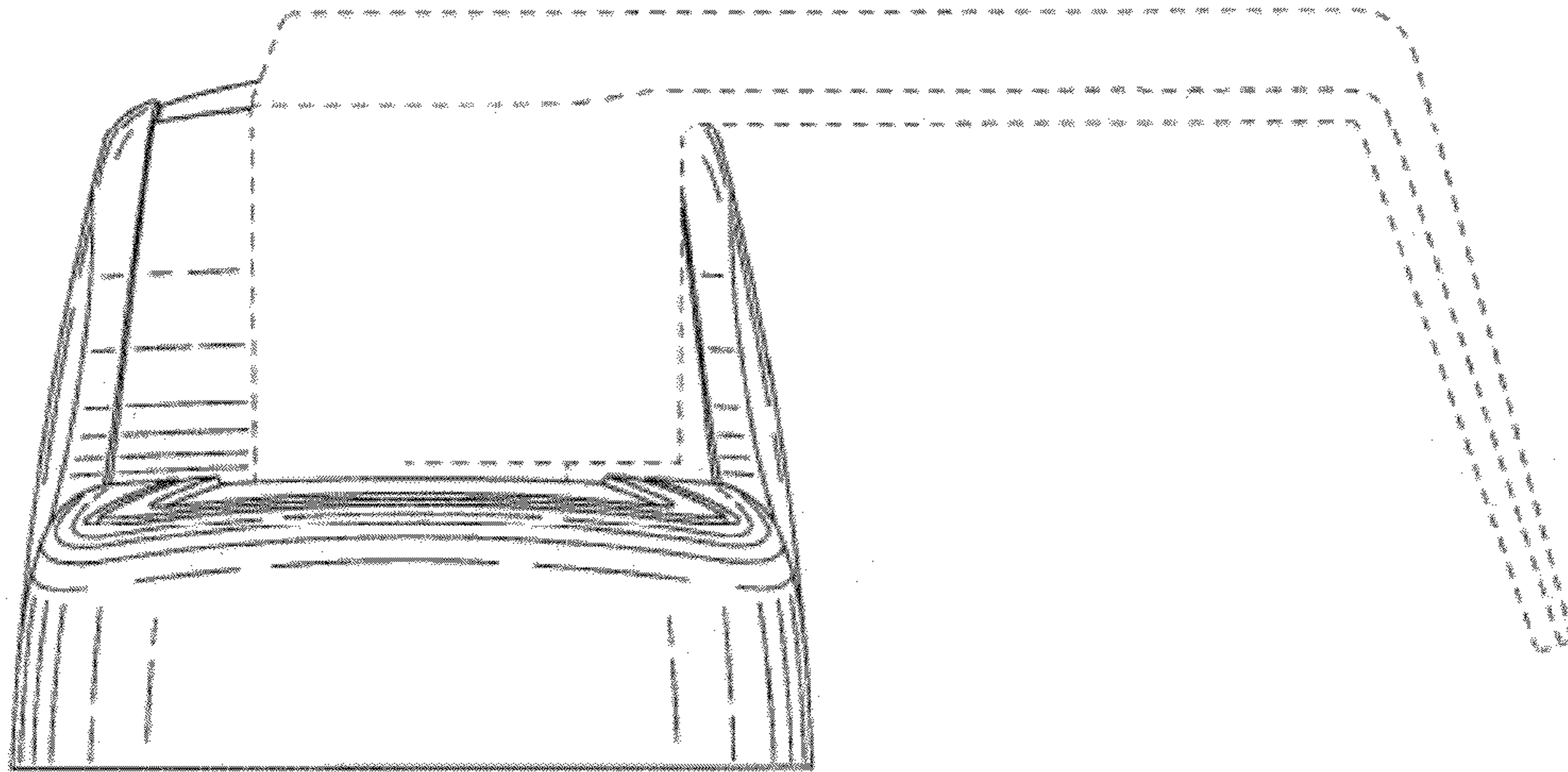


FIG. 5

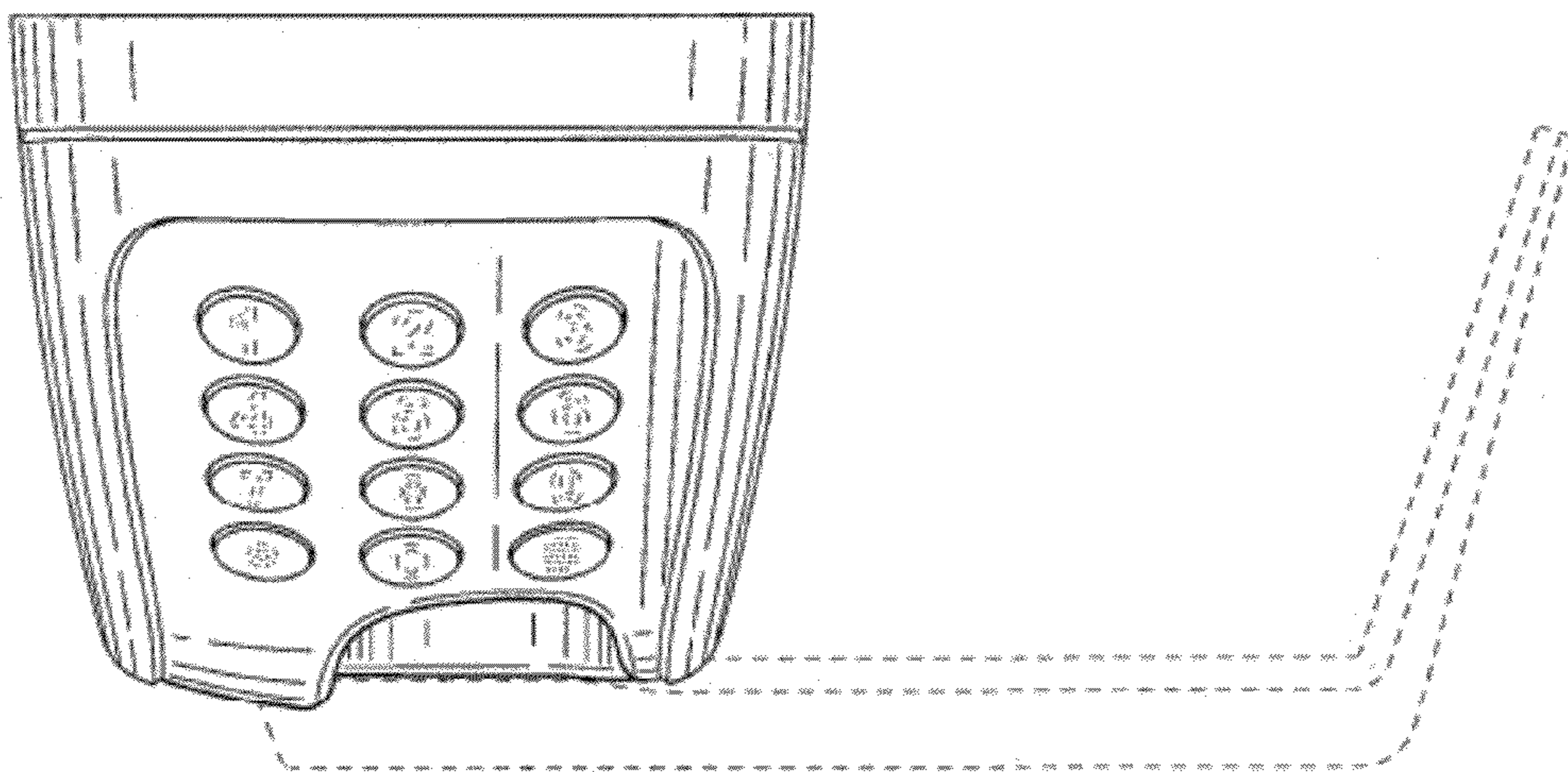


FIG. 6