



US00D673024S

(12) **United States Design Patent**
Caffin et al.

(10) **Patent No.:** **US D673,024 S**

(45) **Date of Patent:** **** *Dec. 25, 2012**

(54) **HINGE**

(75) Inventors: **Bartholomew Jeremy Caffin**, North Manly (AU); **Filip Tejszerski**, Mosman (AU)

(73) Assignee: **D & D Group Pty Ltd.**, Frenchs Forest (AU)

(*) Notice: This patent is subject to a terminal disclaimer.

(**) Term: **14 Years**

(21) Appl. No.: **29/384,885**

(22) Filed: **Feb. 4, 2011**

(51) **LOC (9) Cl.** **08-06**

(52) **U.S. Cl.** **D8/323**

(58) **Field of Classification Search** D8/323, D8/327, 328, 329, 330, 336, 353; D23/303; 4/236, 240; 16/225, 250, 682, 309, 235, 16/275, 244, 379, 390, 430, 241, 238, 245, 16/236, 243, 242, 385

See application file for complete search history.

(56) **References Cited**

U.S. PATENT DOCUMENTS

17,354 A	5/1857	Smith
29,212 A	7/1860	Acker
137,951 A	4/1873	Palmer
RE5,932 E	6/1874	Acker
204,267 A	5/1878	Unger
329,032 A	10/1885	Falls
391,433 A	10/1888	Stover
631,797 A	8/1899	Krause
D32,818 S	6/1900	Greenawalt
754,690 A	3/1904	Pelzer
776,153 A	11/1904	Swacick
887,548 A	5/1908	Trumble
926,520 A	6/1909	Thornton et al.
971,281 A	9/1910	Keene et al.
1,185,503 A	5/1916	Harsh
1,530,341 A	3/1925	Bannochie
1,538,056 A	5/1925	Olson
1,586,615 A	6/1926	Elliott

1,789,775 A	1/1931	Russ et al.	
1,832,902 A *	11/1931	Holbrook	16/392
1,883,506 A	10/1932	Bommer	
1,892,584 A	12/1932	Olson	
1,958,940 A	5/1934	Cavanaugh et al.	
2,058,163 A	10/1936	Malone	
2,203,197 A	6/1940	Henry	
2,218,183 A	10/1940	Springer	
2,219,186 A	10/1940	Hornfeck	
2,288,688 A	7/1942	Dubilier	

(Continued)

FOREIGN PATENT DOCUMENTS

AU 29217-30 9/1931

(Continued)

Primary Examiner — Cynthia Underwood

(74) *Attorney, Agent, or Firm* — Kelly & Kelley, LLP

(57) **CLAIM**

The ornamental design for a hinge, as shown and described.

DESCRIPTION

FIG. 1 is a front elevation view showing a first embodiment of our new design;

FIG. 2 is a rear elevation view showing a first embodiment of our new design;

FIG. 3 is a front view thereof;

FIG. 4 is left side view thereof;

FIG. 5 is a right side view thereof;

FIG. 6 is a rear view thereof;

FIG. 7 is a top end view thereof;

FIG. 8 is a bottom end view thereof;

FIG. 9 is a front elevation view of a second embodiment of our new design;

FIG. 10 is a rear elevation view of a second embodiment of our new design;

FIG. 11 is a front view thereof;

FIG. 12 is a left side view thereof;

FIG. 13 is a right side view thereof;

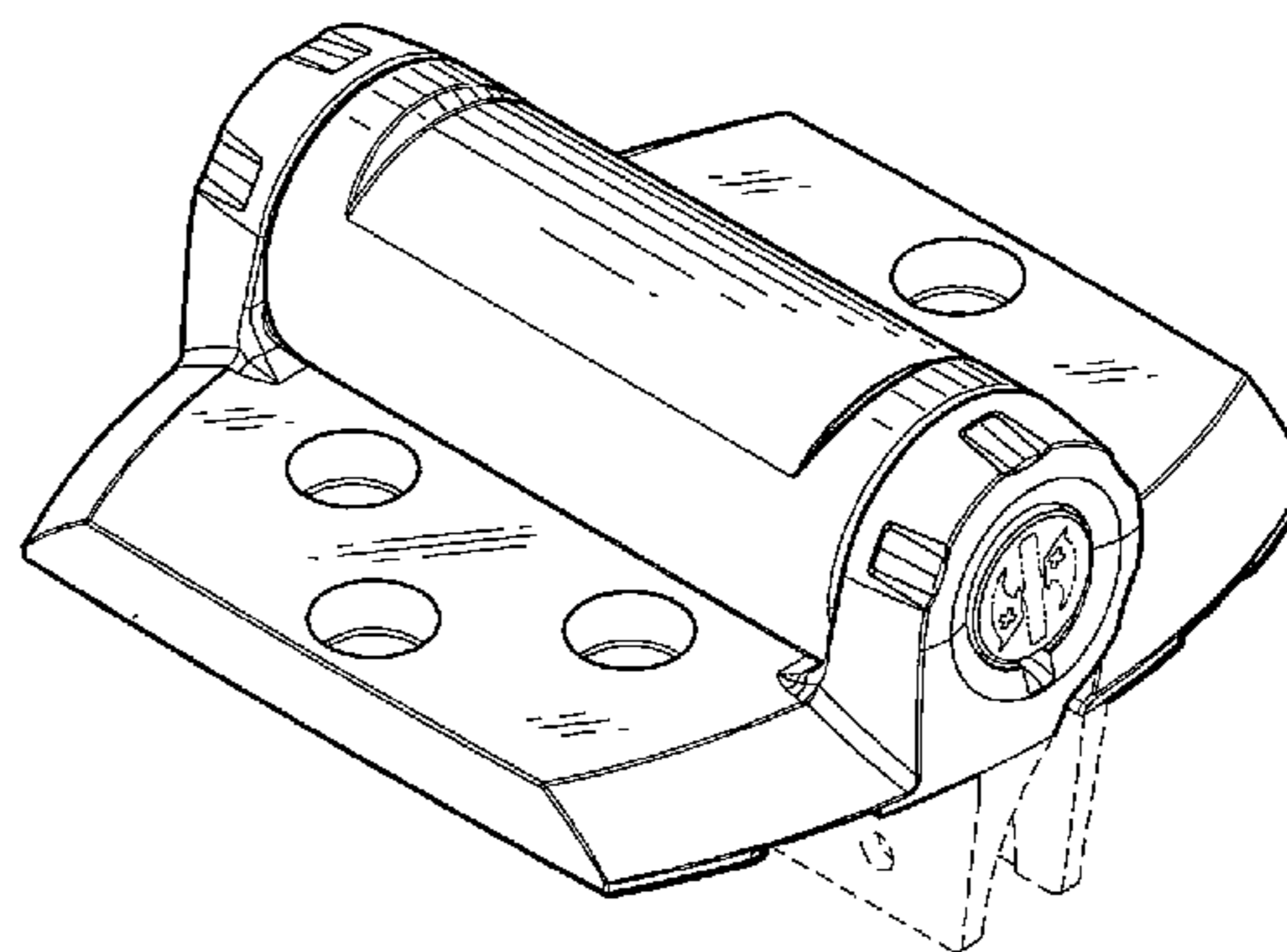
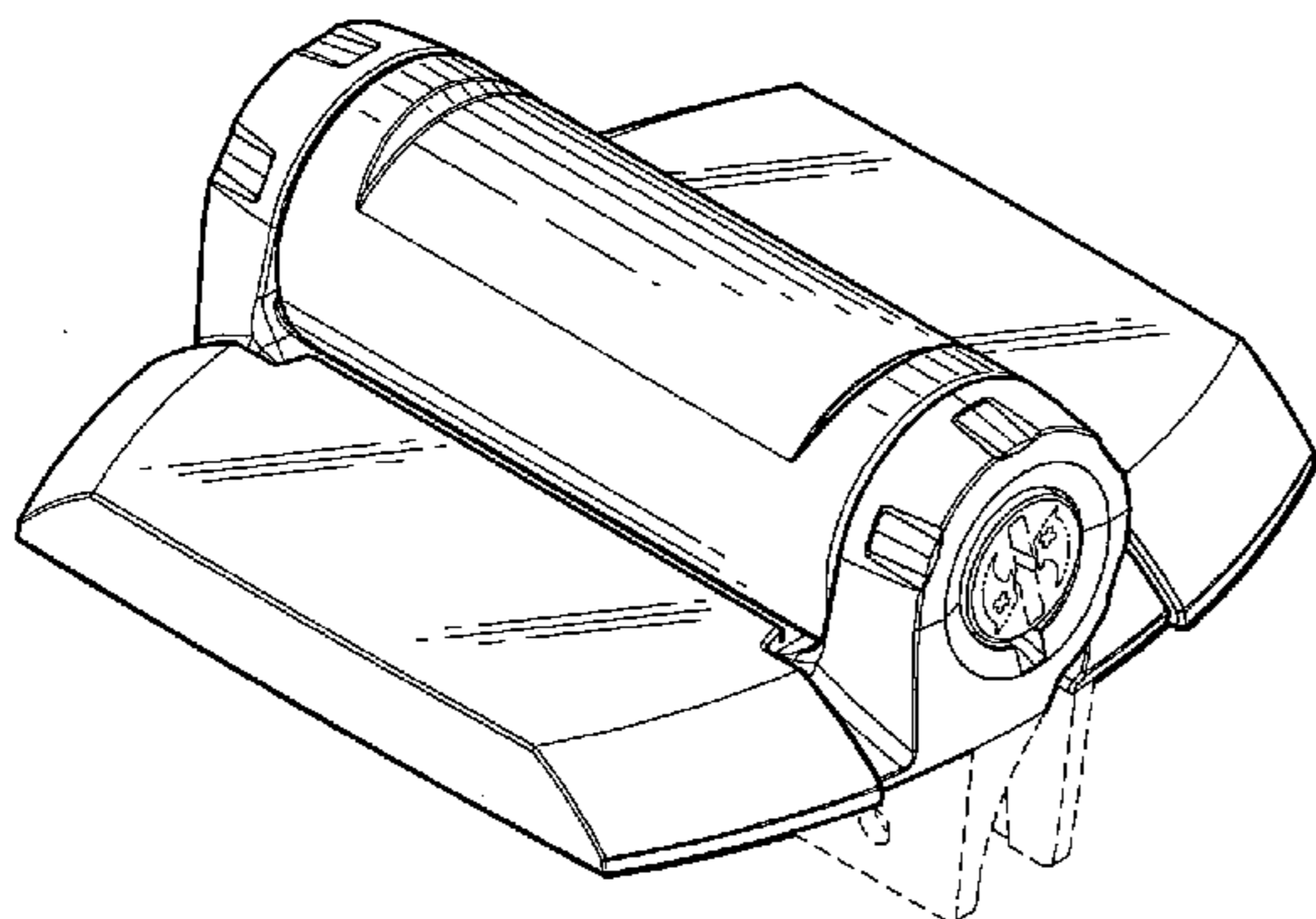
FIG. 14 is a rear view thereof;

FIG. 15 is a top end view thereof; and,

FIG. 16 is a bottom end view thereof.

The broken lines showing details in the Figures are included for the purpose of showing environmental context of the design, and form no part of the claimed design.

1 Claim, 8 Drawing Sheets



US D673,024 S

U.S. PATENT DOCUMENTS

2,313,712 A 3/1943 Jacobi
D139,227 S * 10/1944 Greiling D8/323
2,370,691 A 3/1945 Schlage
2,514,927 A 7/1950 Bernhard
2,586,900 A 2/1952 Alderman
2,597,174 A 5/1952 Patton et al.
2,615,744 A 10/1952 Colonna
2,690,349 A 9/1954 Teetor
2,726,891 A 12/1955 Gresham et al.
2,767,007 A 10/1956 Burke
2,797,655 A 7/1957 Morehouse
2,839,912 A 6/1958 Corbin et al.
D183,261 S * 7/1958 Mink D8/327
2,942,907 A 6/1960 Nagel et al.
2,953,916 A 9/1960 Thomas
2,988,389 A 6/1961 Wilson
3,040,555 A 6/1962 Wartian
3,046,776 A 7/1962 Marotto et al.
3,098,258 A 7/1963 Ruiz
3,107,113 A 10/1963 Sconzo
3,111,021 A 11/1963 Patriquin et al.
3,115,026 A 12/1963 Moore et al.
3,161,036 A 12/1964 Himes
3,273,925 A 9/1966 Graham
3,314,707 A 4/1967 Van Donselaar
3,316,582 A 5/1967 Johnson et al.
3,334,936 A 8/1967 Hekelaar et al.
3,350,127 A 10/1967 Hekelaar
3,380,109 A 4/1968 Ruiz
D212,861 S 12/1968 Raymond
3,433,518 A 3/1969 Foltz
3,516,701 A 6/1970 Graham
3,538,538 A 11/1970 Field
3,591,219 A 7/1971 Graziosi
3,593,547 A 7/1971 Taylor
3,677,591 A 7/1972 Waldo
3,691,799 A 9/1972 Hoffmann et al.
3,705,505 A 12/1972 Landow et al.
3,778,866 A 12/1973 Nakanishi
3,785,186 A 1/1974 James et al.
3,794,366 A 2/1974 Graham
3,825,973 A 7/1974 Gwozdz
3,881,331 A 5/1975 Tranberg et al.
3,890,813 A 6/1975 Cothron
3,903,567 A 9/1975 Suska
3,965,533 A 6/1976 Frohlich
3,978,551 A 9/1976 Mochizuki
4,014,192 A 3/1977 Dillon et al.
4,025,095 A 5/1977 Hausladen
4,069,545 A 1/1978 Holet et al.
4,073,038 A 2/1978 Curry et al.
4,073,520 A 2/1978 Tsuchiya et al.
4,118,055 A 10/1978 Bischoff, Jr.
4,339,845 A 7/1982 Newlon et al.
4,378,684 A 4/1983 Dugan et al.
4,414,828 A 11/1983 Takinami et al.
4,583,262 A 4/1986 Werner
4,691,541 A 9/1987 McQuade, Sr. et al.
4,732,418 A 3/1988 Crown et al.
4,751,765 A 6/1988 Wu
4,817,242 A 4/1989 Rapp
D301,116 S 5/1989 Foshee et al.
4,838,053 A 6/1989 Shen
4,848,812 A 7/1989 Slaughter
4,919,463 A 4/1990 McQuade
4,921,289 A 5/1990 Shen
4,938,508 A 7/1990 Thomas
4,962,567 A 10/1990 Dixon
5,018,920 A 5/1991 Speakman
5,024,473 A 6/1991 McQuade
5,029,912 A 7/1991 Gotanda
5,031,270 A 7/1991 Lee
5,063,764 A 11/1991 Amis et al.
5,103,658 A 4/1992 McQuade
5,149,155 A 9/1992 Caeti et al.
5,177,987 A 1/1993 Shen
D335,718 S 5/1993 Maglica et al.

5,265,924 A 11/1993 Kim
D342,952 S 1/1994 Yoder
5,356,095 A 10/1994 Aker
5,358,292 A 10/1994 Van Wiebe et al.
5,362,116 A 11/1994 Doyle et al.
5,526,659 A 6/1996 Takimoto
D371,503 S 7/1996 Nakano
5,572,768 A 11/1996 Daul
D376,971 S * 12/1996 Schutz D8/327
5,584,100 A 12/1996 Doyle et al.
5,655,801 A 8/1997 Casey
D385,475 S * 10/1997 Bolinas et al. D8/328
5,715,574 A 2/1998 Schall
D401,134 S * 11/1998 Finkelstein D8/329
5,876,073 A 3/1999 Geringer et al.
6,058,747 A 5/2000 Doyle et al.
D436,515 S * 1/2001 Sonntag D8/328
6,174,005 B1 1/2001 Norton
D443,196 S 6/2001 Sosa
6,264,255 B1 7/2001 Fortune
6,327,879 B1 12/2001 Malsom
6,347,819 B1 2/2002 Plaxco
6,364,383 B1 4/2002 Shen
D457,113 S 5/2002 Zapushek et al.
6,460,220 B1 10/2002 Jackson
6,513,351 B2 2/2003 Clark
D484,389 S 12/2003 Evans
6,732,408 B2 5/2004 Wu
6,733,049 B2 5/2004 Piorowski et al.
6,733,050 B1 5/2004 Yao
D495,235 S 8/2004 Burrows
D502,859 S 3/2005 Peng et al.
6,869,115 B2 3/2005 Shen
6,898,953 B1 5/2005 Paprocki et al.
6,905,152 B1 6/2005 Hudson
7,044,511 B2 5/2006 Kliefoth et al.
D533,433 S * 12/2006 Loggen D8/329
7,201,030 B2 4/2007 Timothy
D543,830 S 6/2007 Frank et al.
7,240,400 B2 7/2007 Bonham
D548,044 S 8/2007 Tang
D550,061 S 9/2007 Tang
D552,448 S 10/2007 Tang
7,296,448 B1 11/2007 Shaw
D557,586 S 12/2007 Shire et al.
D565,386 S * 4/2008 Bladen et al. D8/323
D595,569 S 7/2009 Darling, III
D601,403 S 10/2009 Cosby et al.
D605,493 S 12/2009 Tejszerski
D621,683 S * 8/2010 Mullenix D8/323
D622,576 S * 8/2010 Farkas et al. D8/328
D635,433 S * 4/2011 Le D8/327
2004/0093689 A1 5/2004 Sosa et al.
2007/0007773 A1 1/2007 Berkseth et al.
2008/0016923 A1 1/2008 Zheng

FOREIGN PATENT DOCUMENTS

AU	138996	4/1948
AU	245874	5/1963
DE	1961736	6/1971
DE	3205224	8/1983
DE	3313220	10/1984
DE	3605826	8/1987
FR	1180547	6/1959
FR	2405347	5/1979
GB	693564	7/1953
GB	759211	10/1956
GB	1108996	4/1968
GB	1382227	1/1975
GB	2006892	5/1990
GB	2010086	10/1990
JP	1-198983	8/1989
JP	3-172482	7/1991
JP	3212589	9/1991
JP	8210001	8/1996
WO	92/03631	3/1992

* cited by examiner

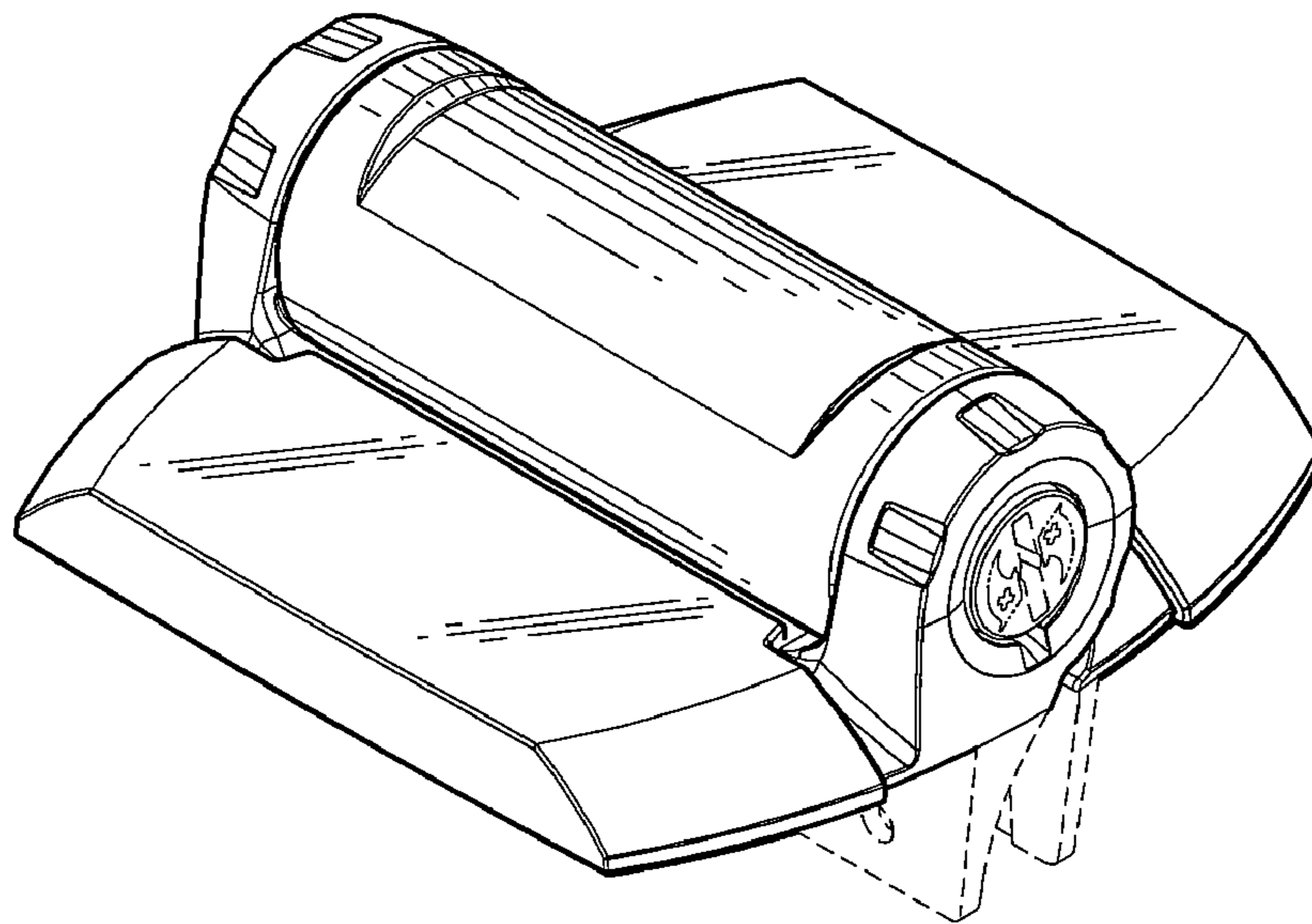


FIG. 1

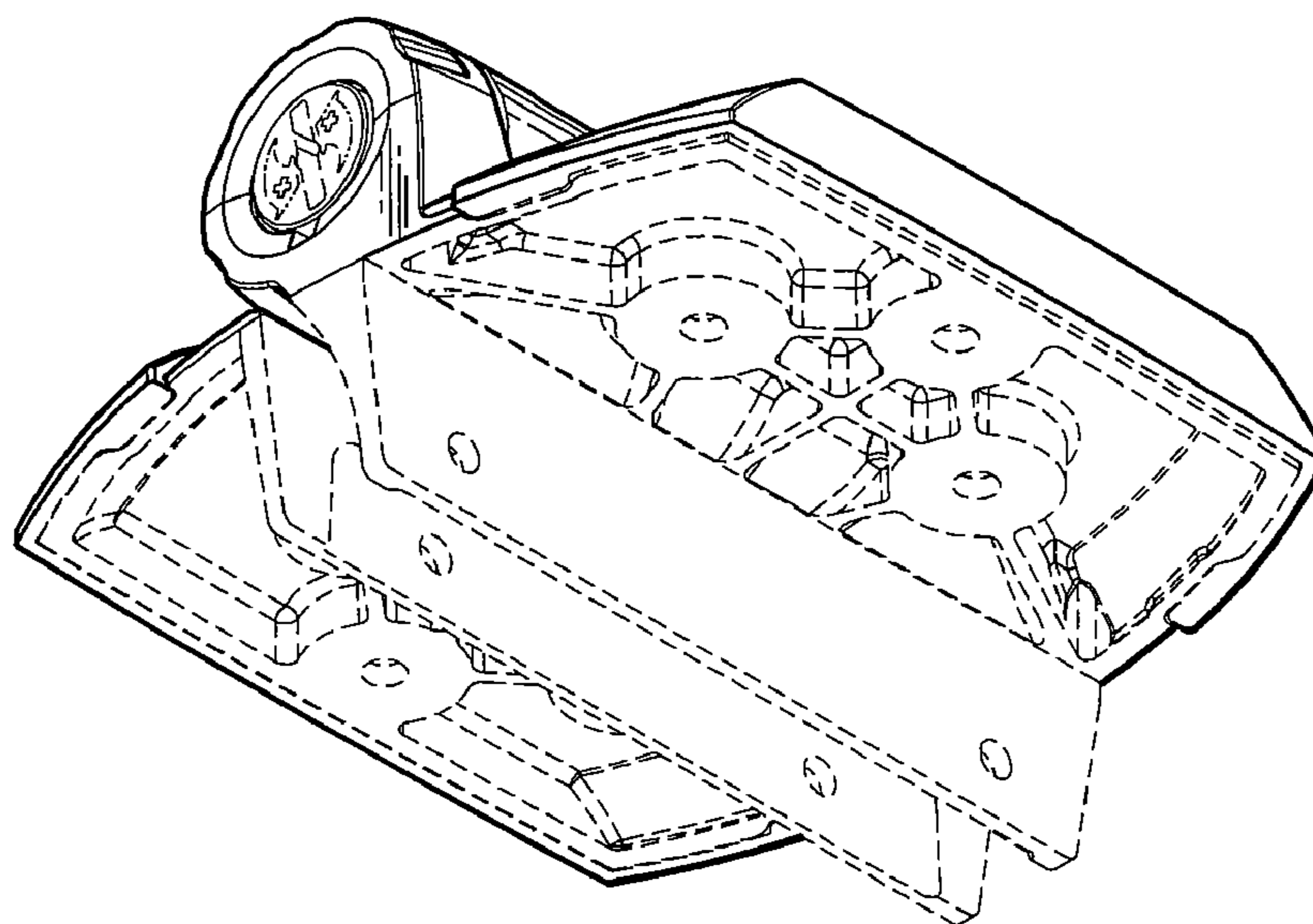


FIG. 2

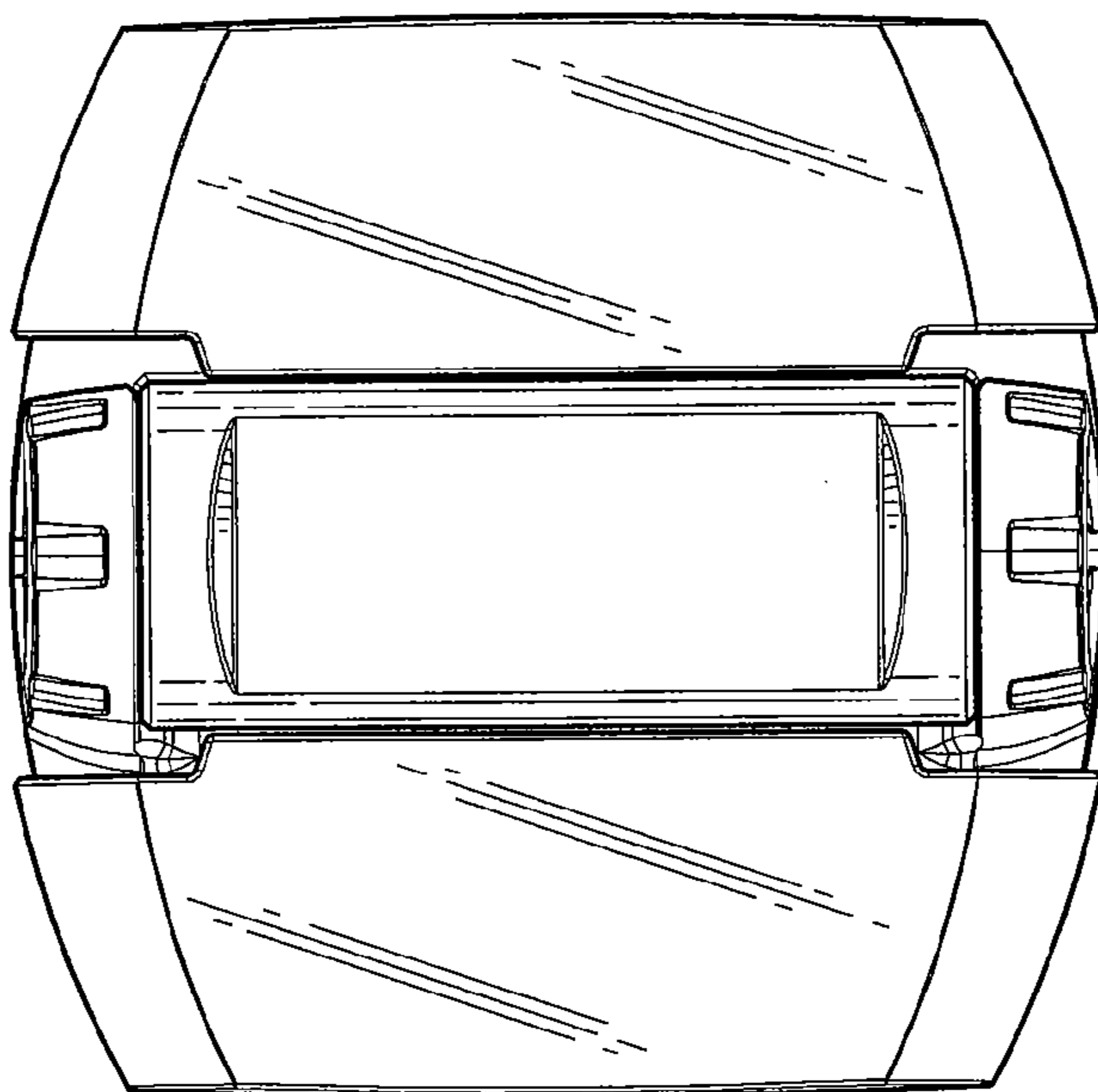


FIG. 3

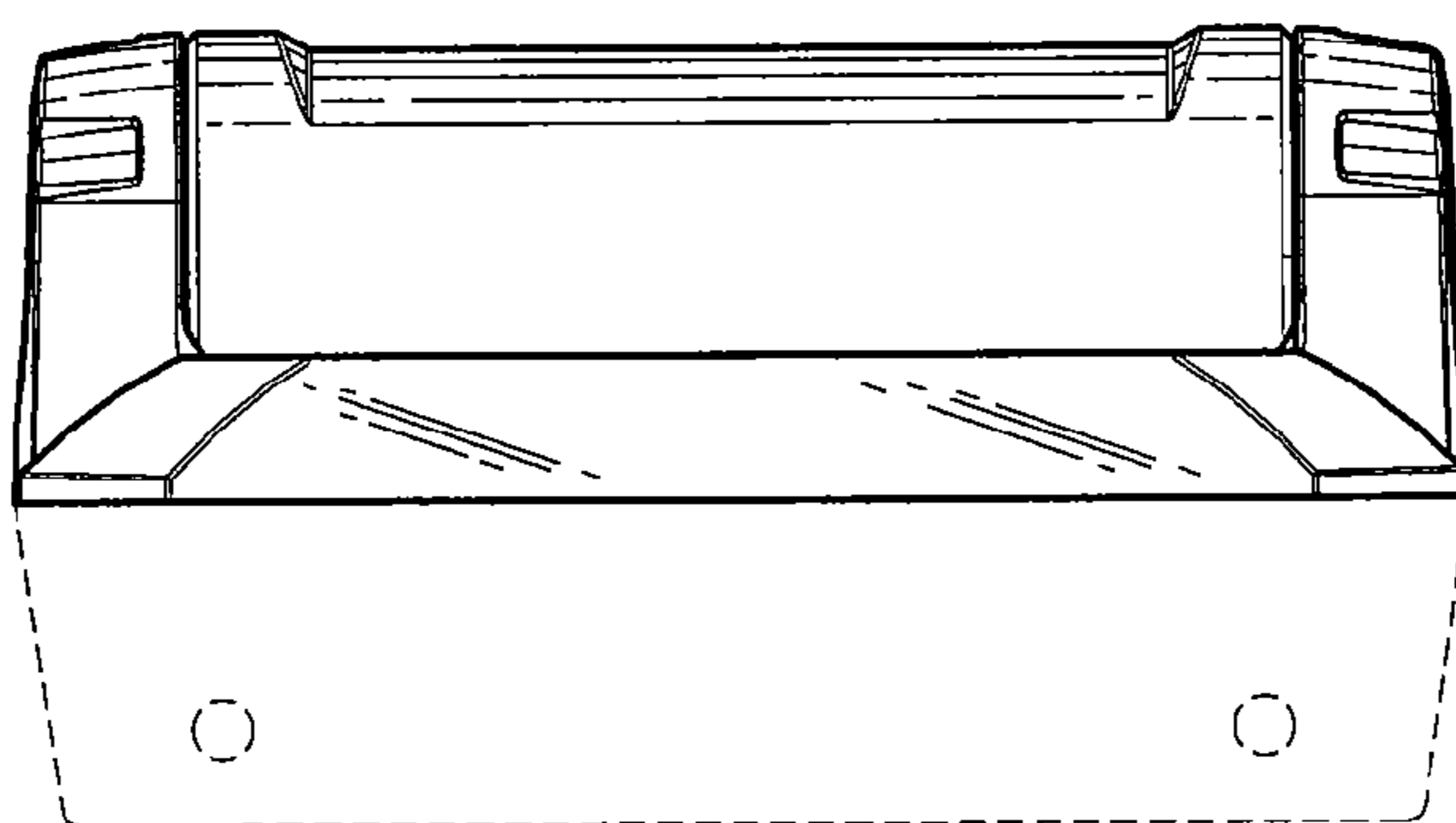


FIG. 4

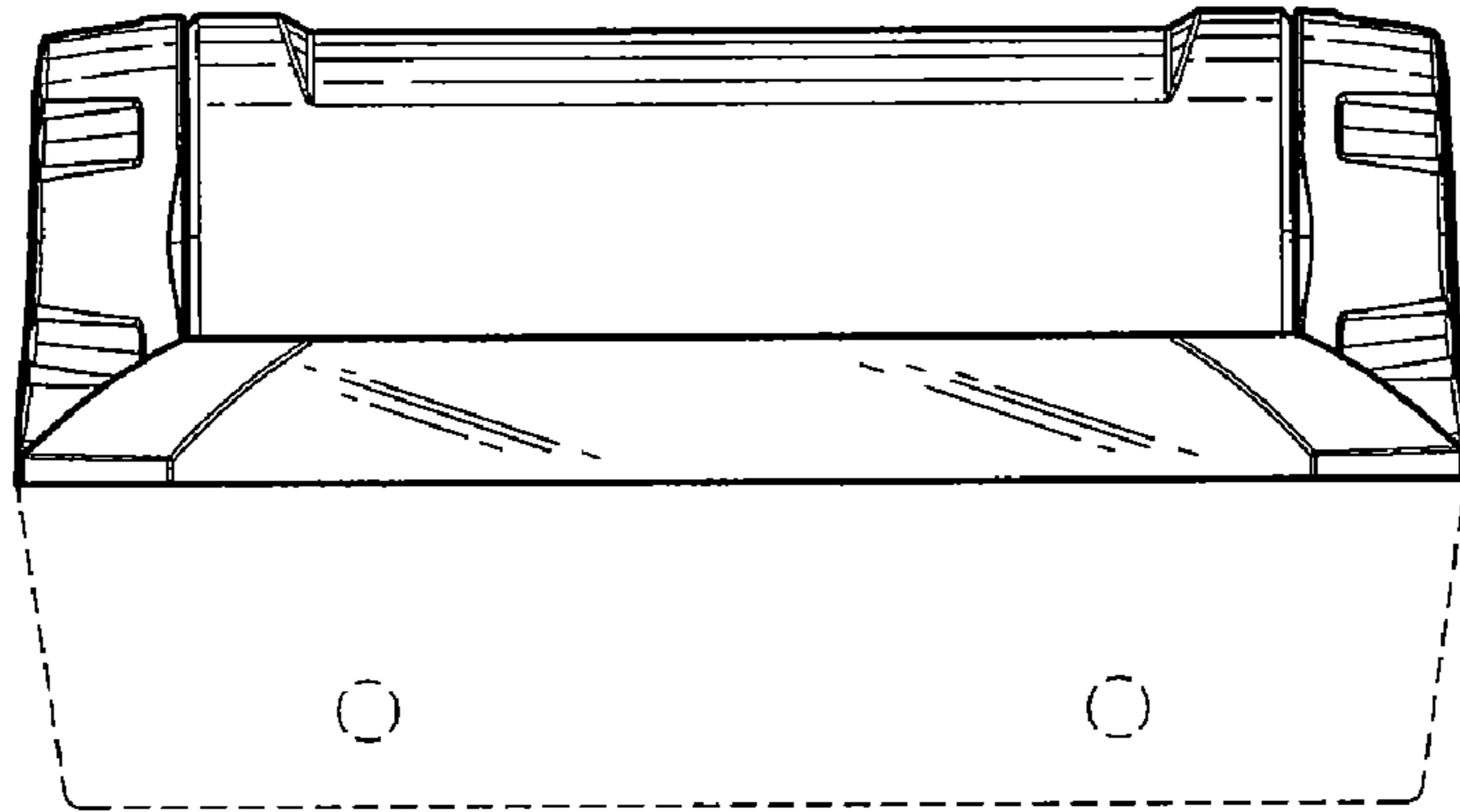


FIG. 5

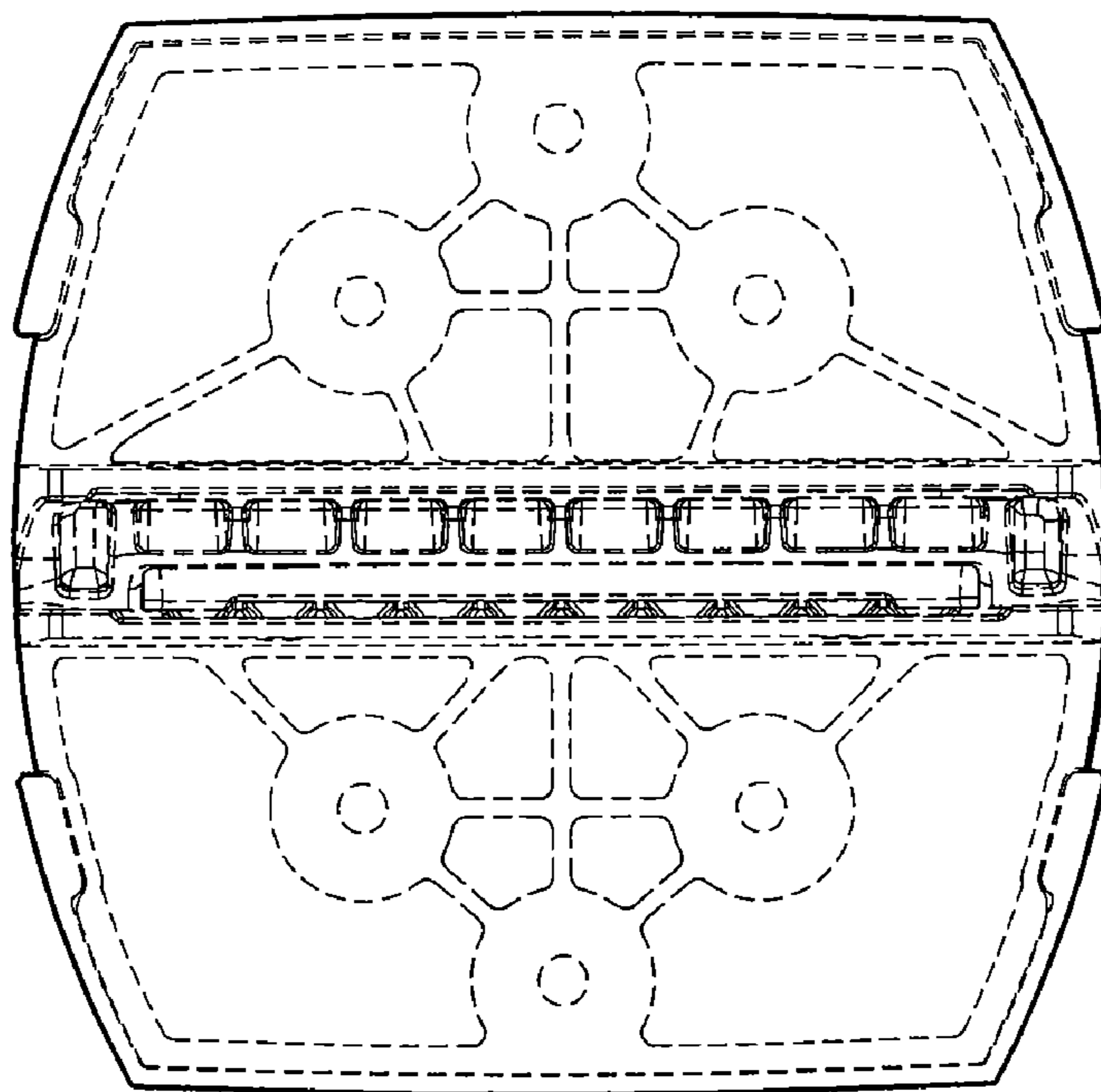


FIG. 6

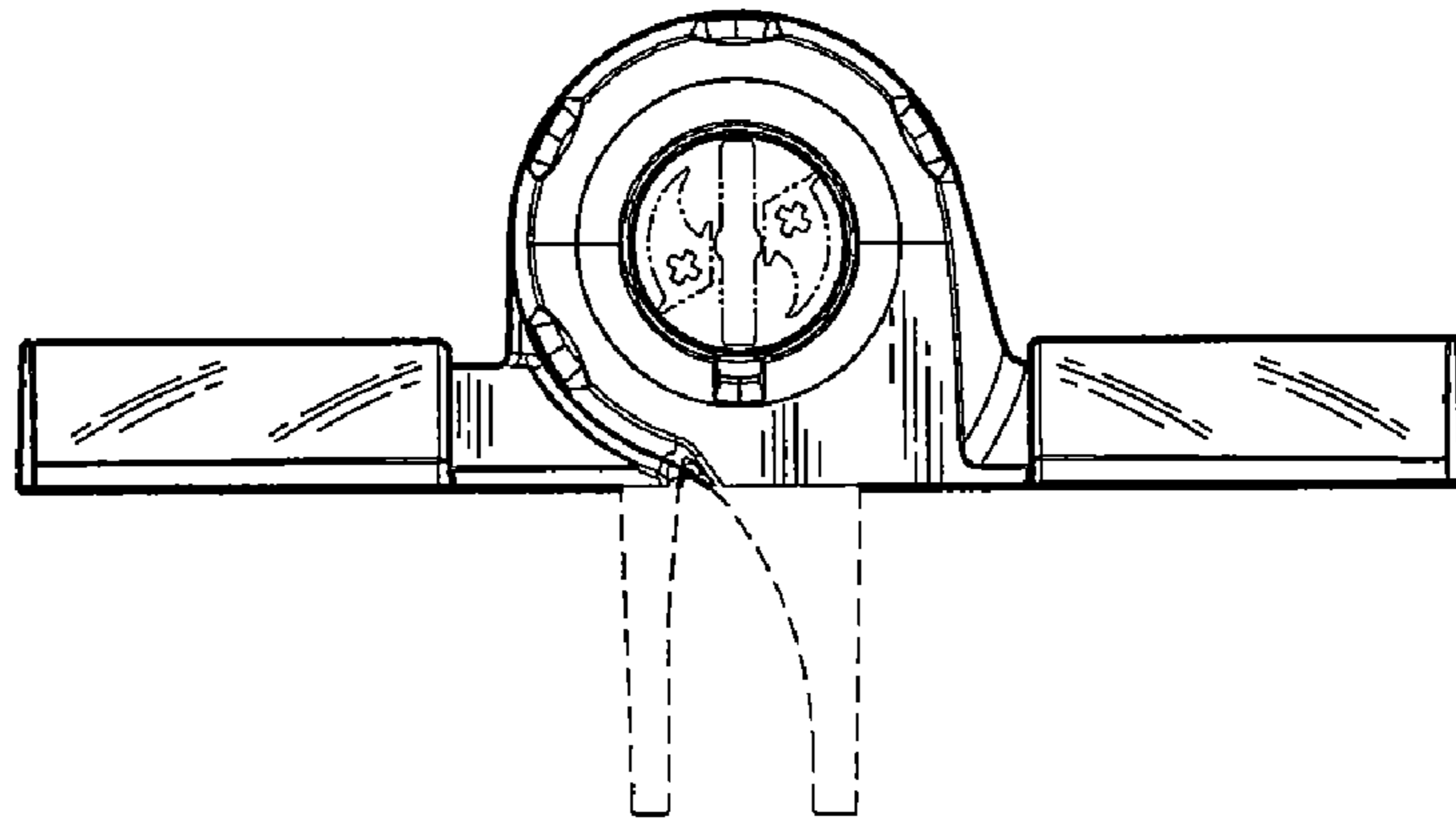


FIG. 7

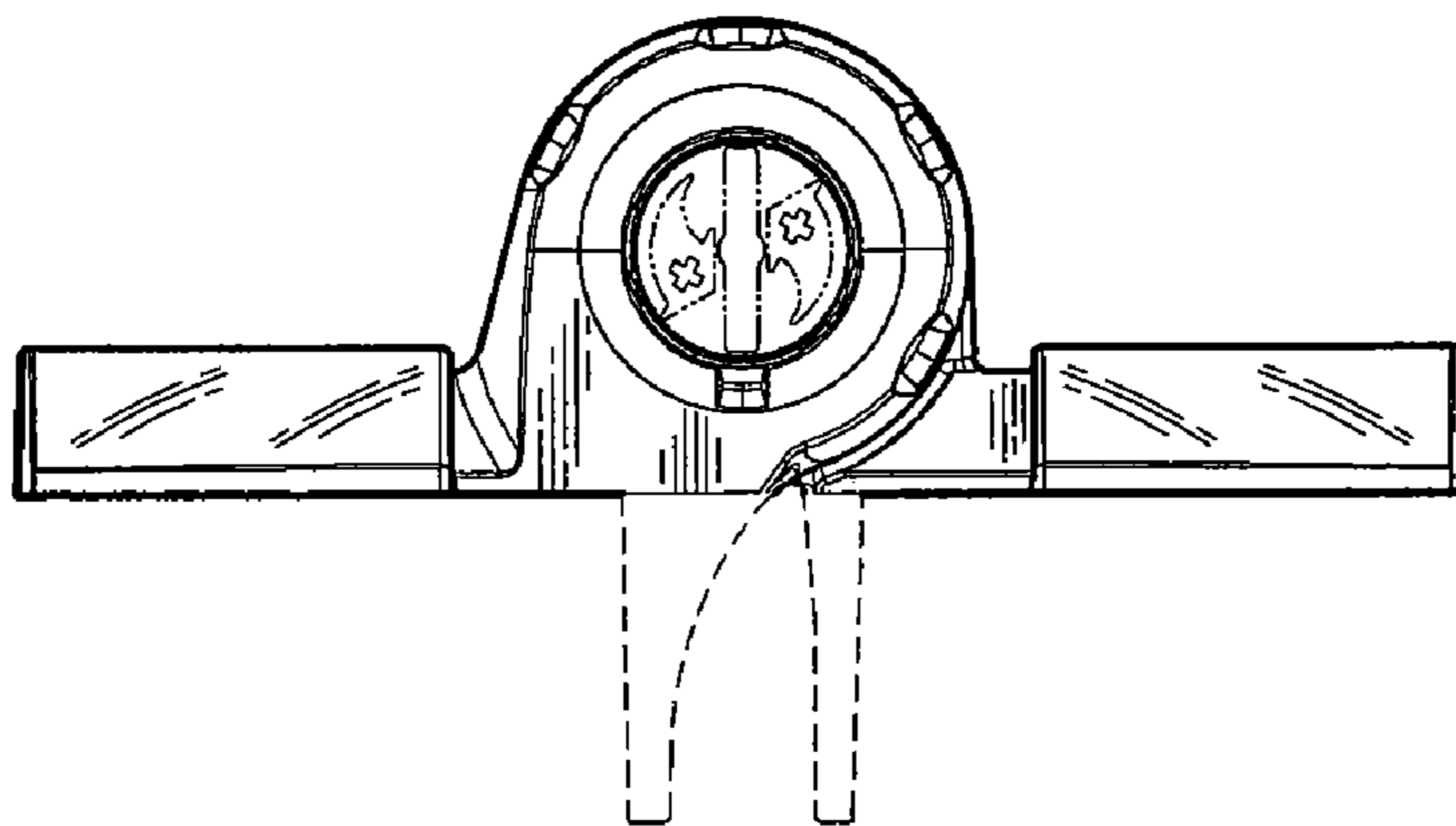


FIG. 8

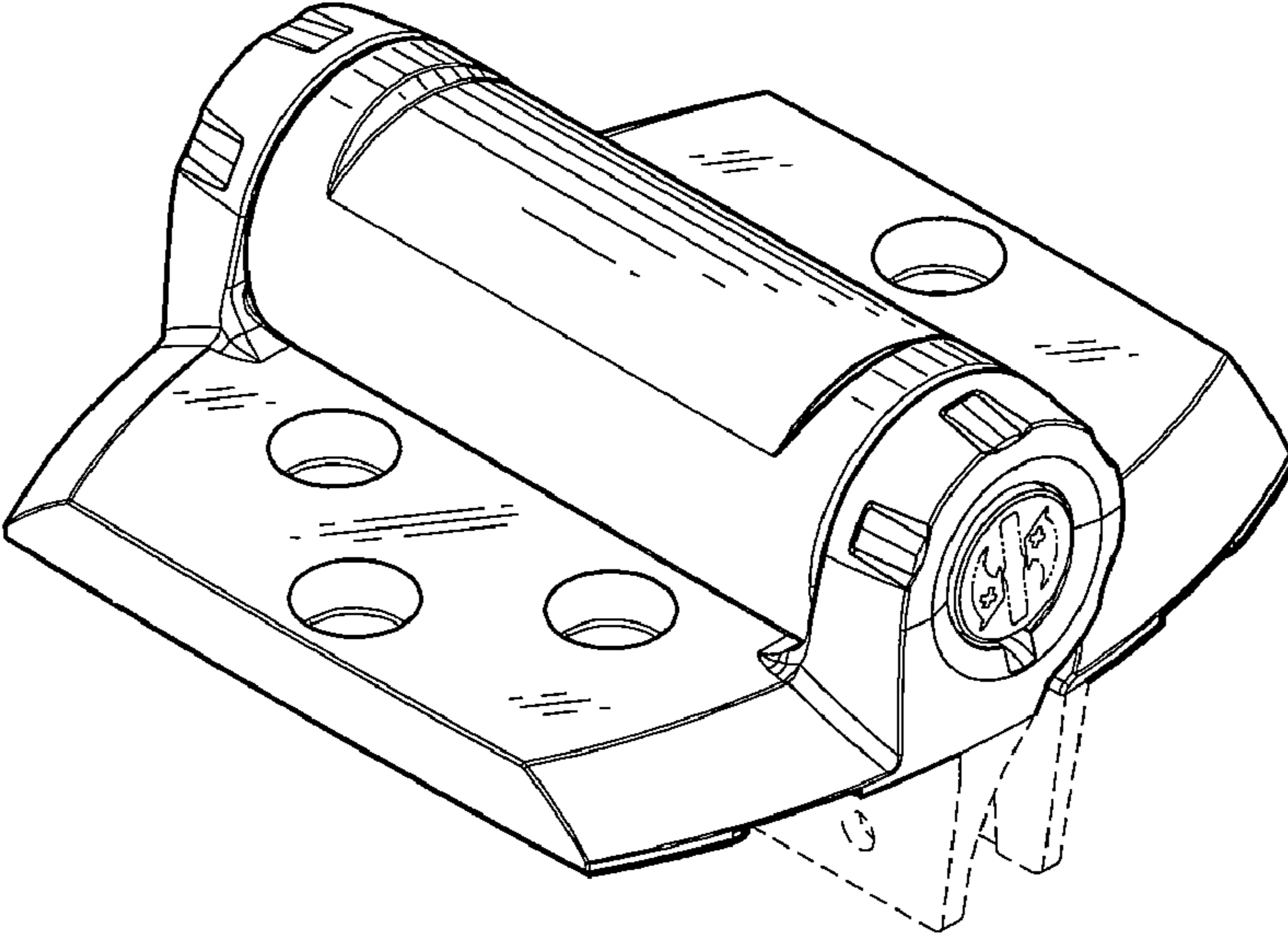


FIG. 9

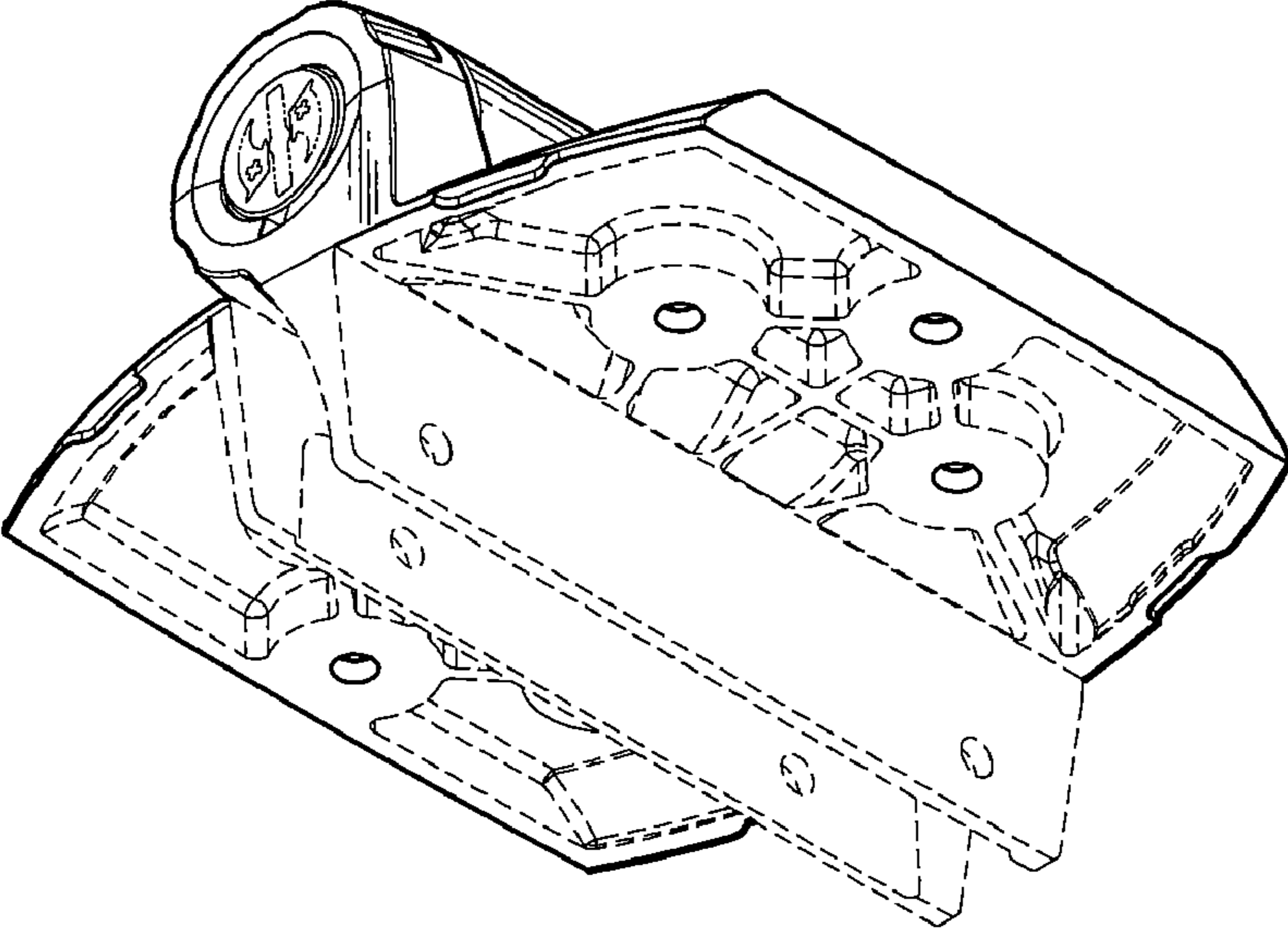


FIG. 10

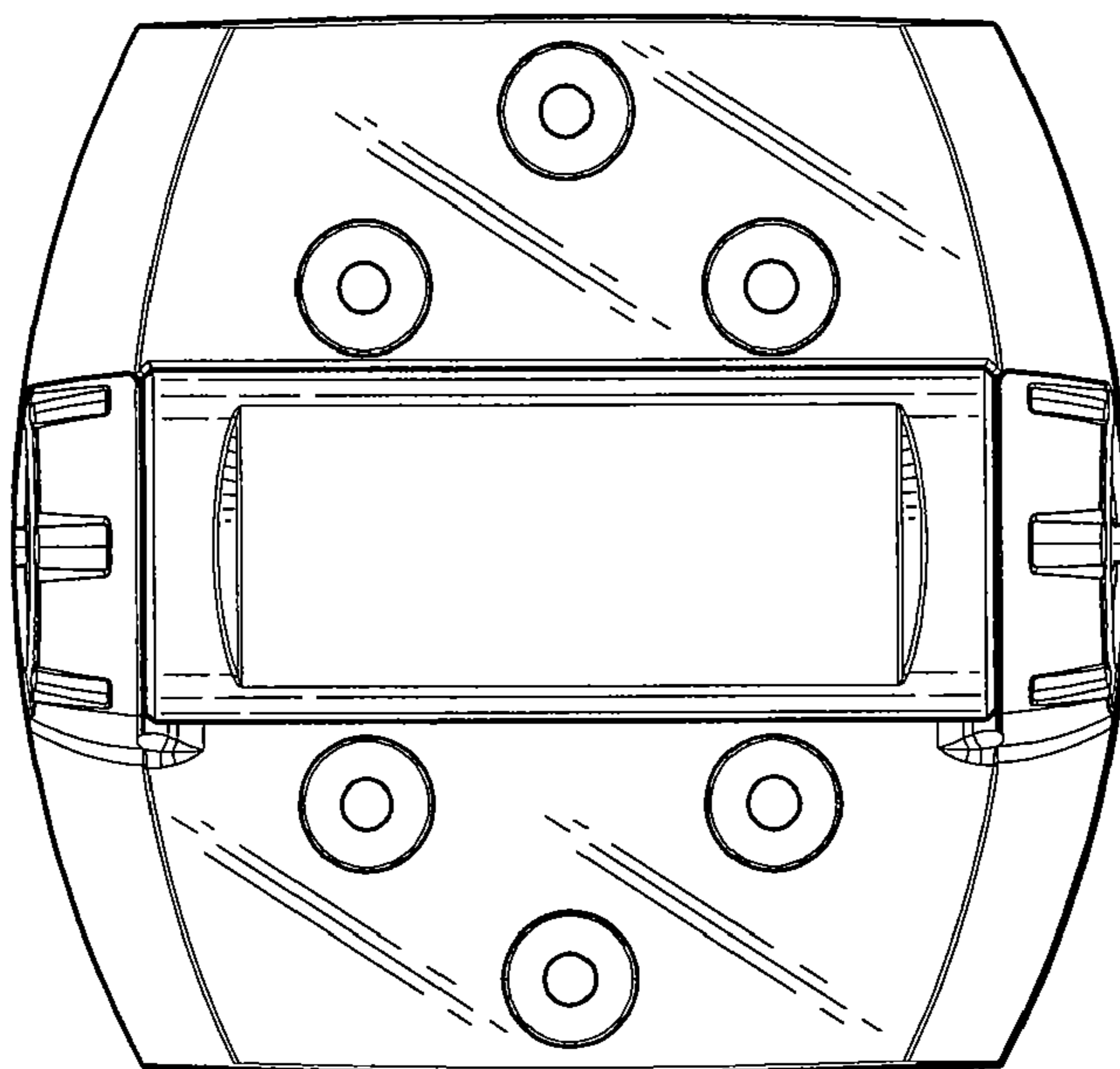


FIG. 11

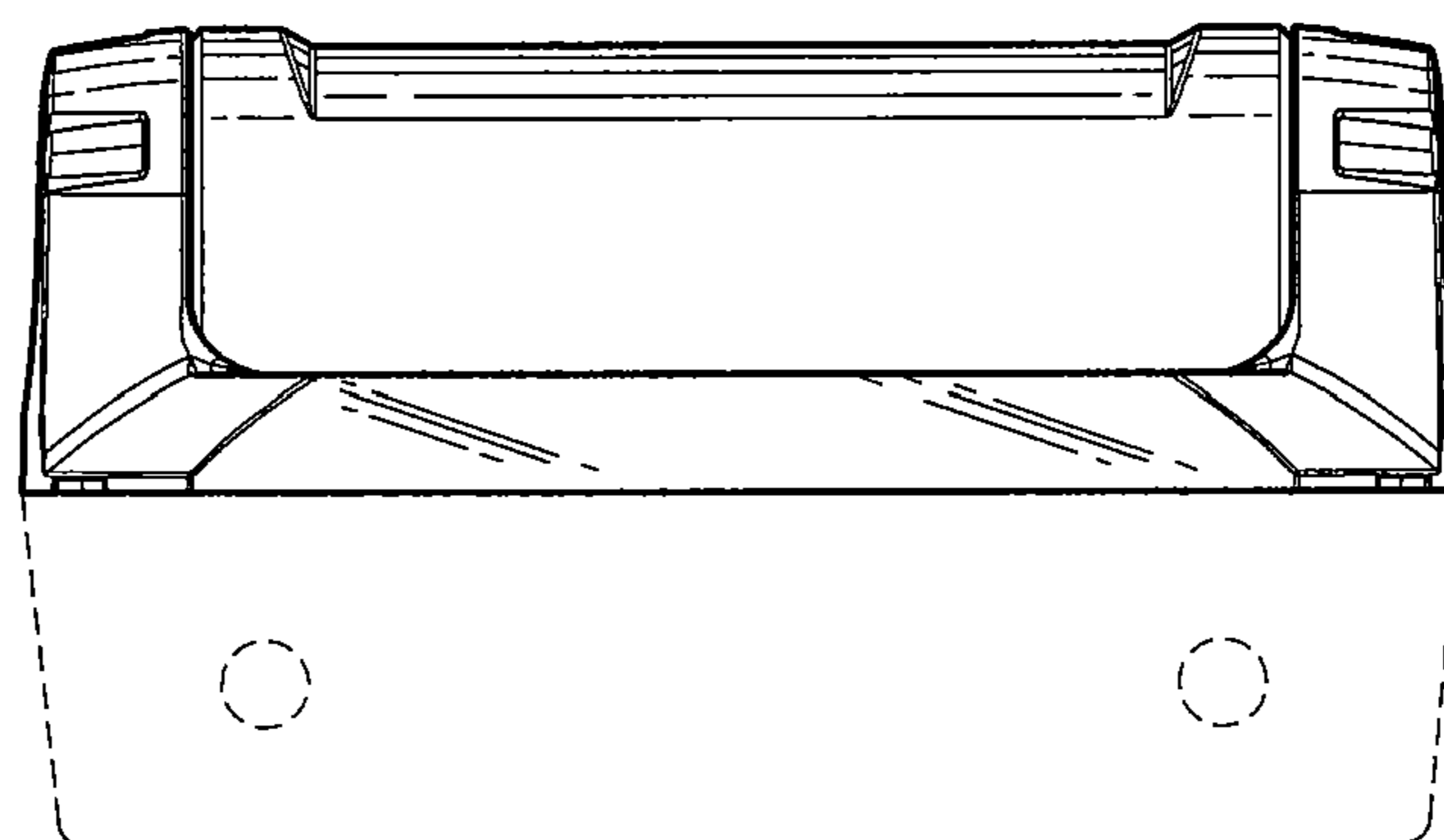


FIG. 12

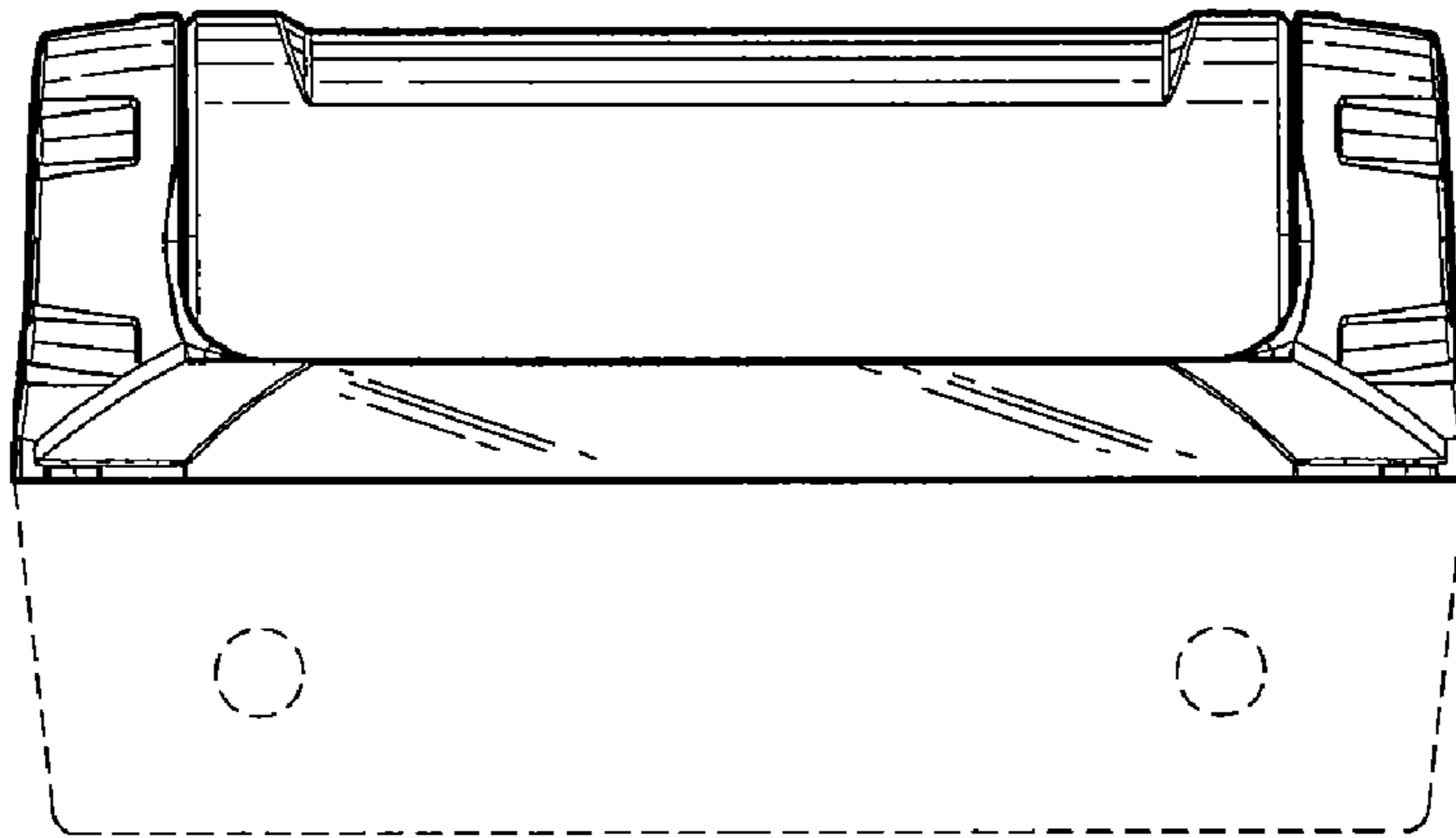


FIG. 13

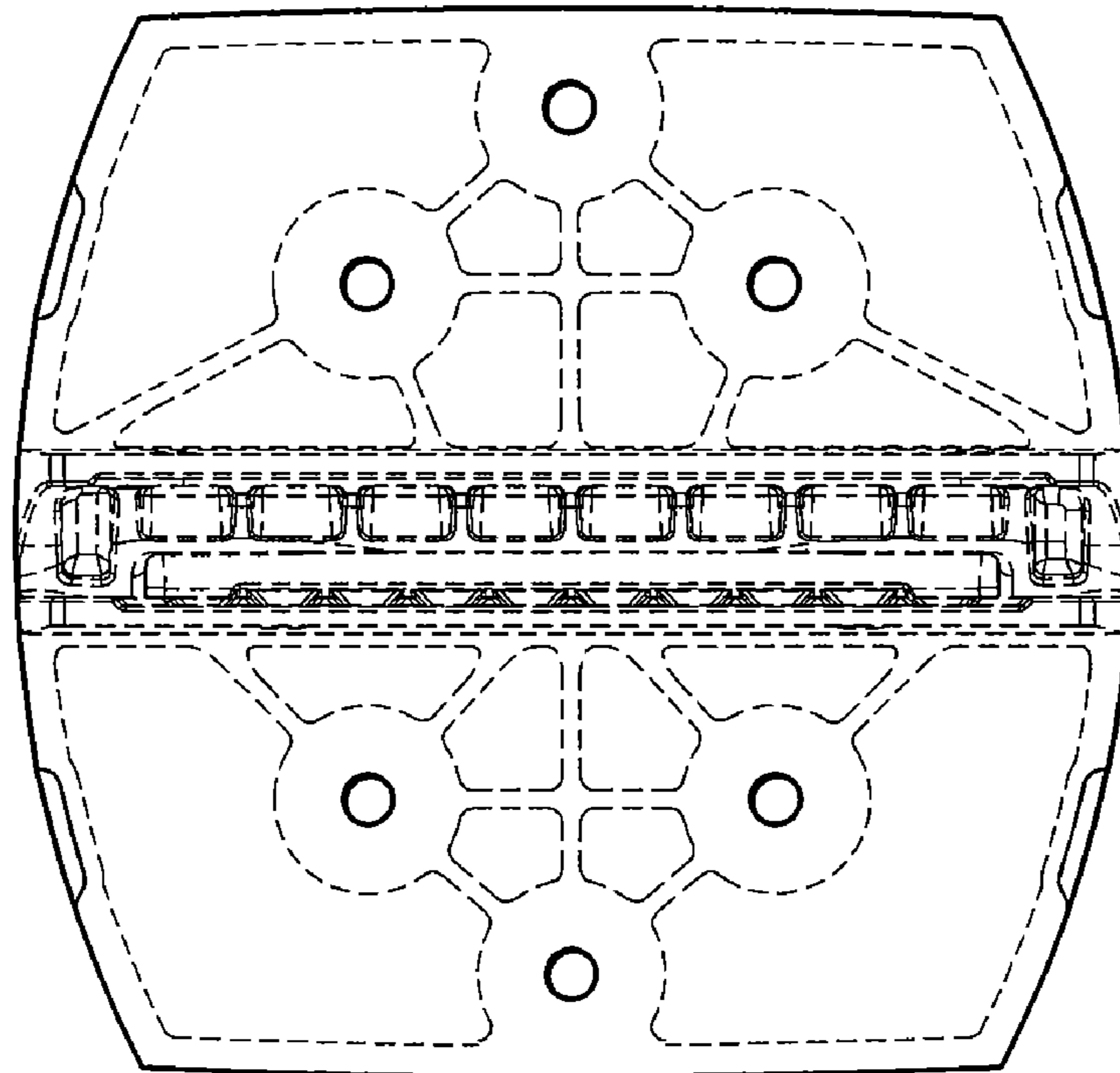


FIG. 14

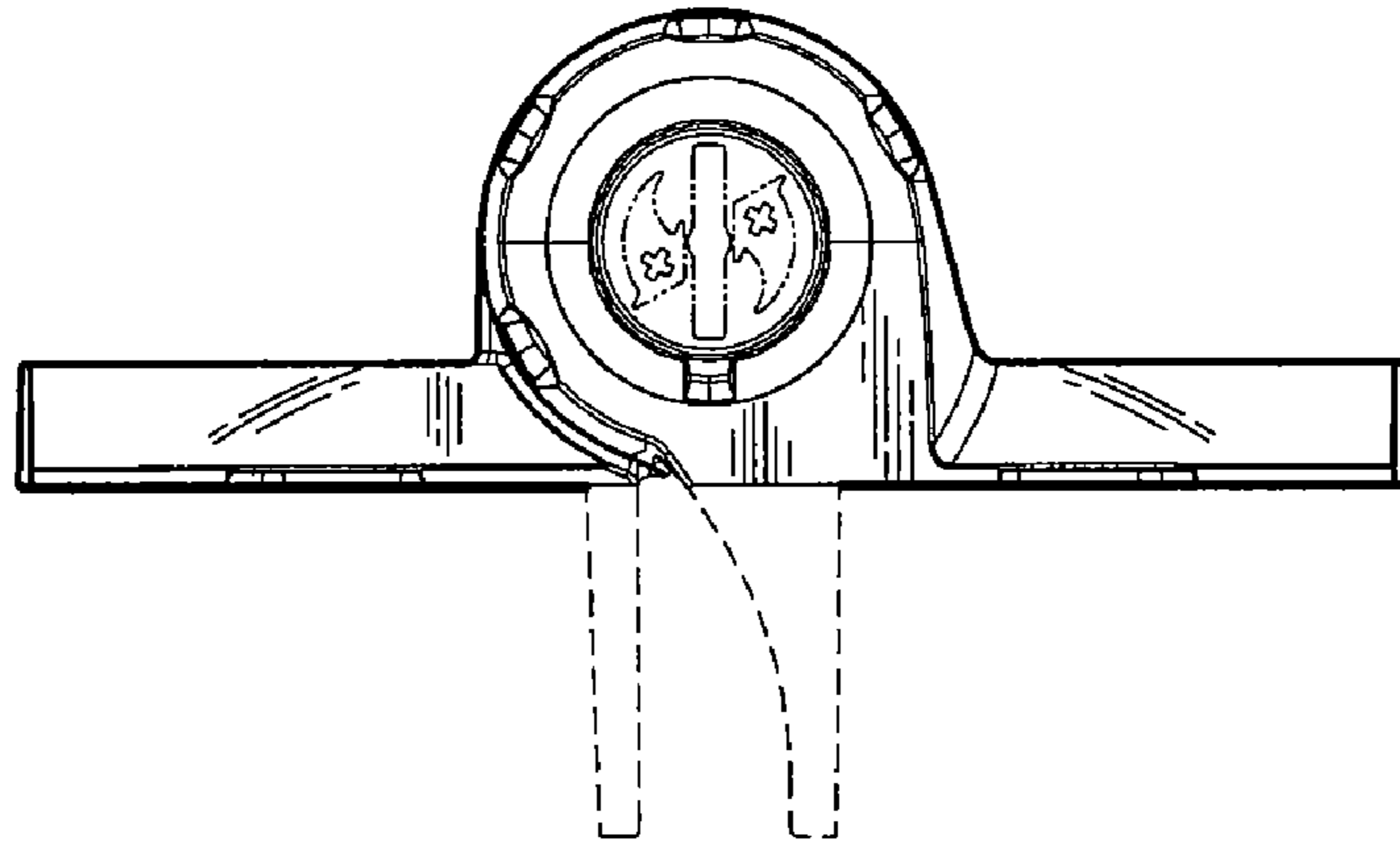


FIG. 15

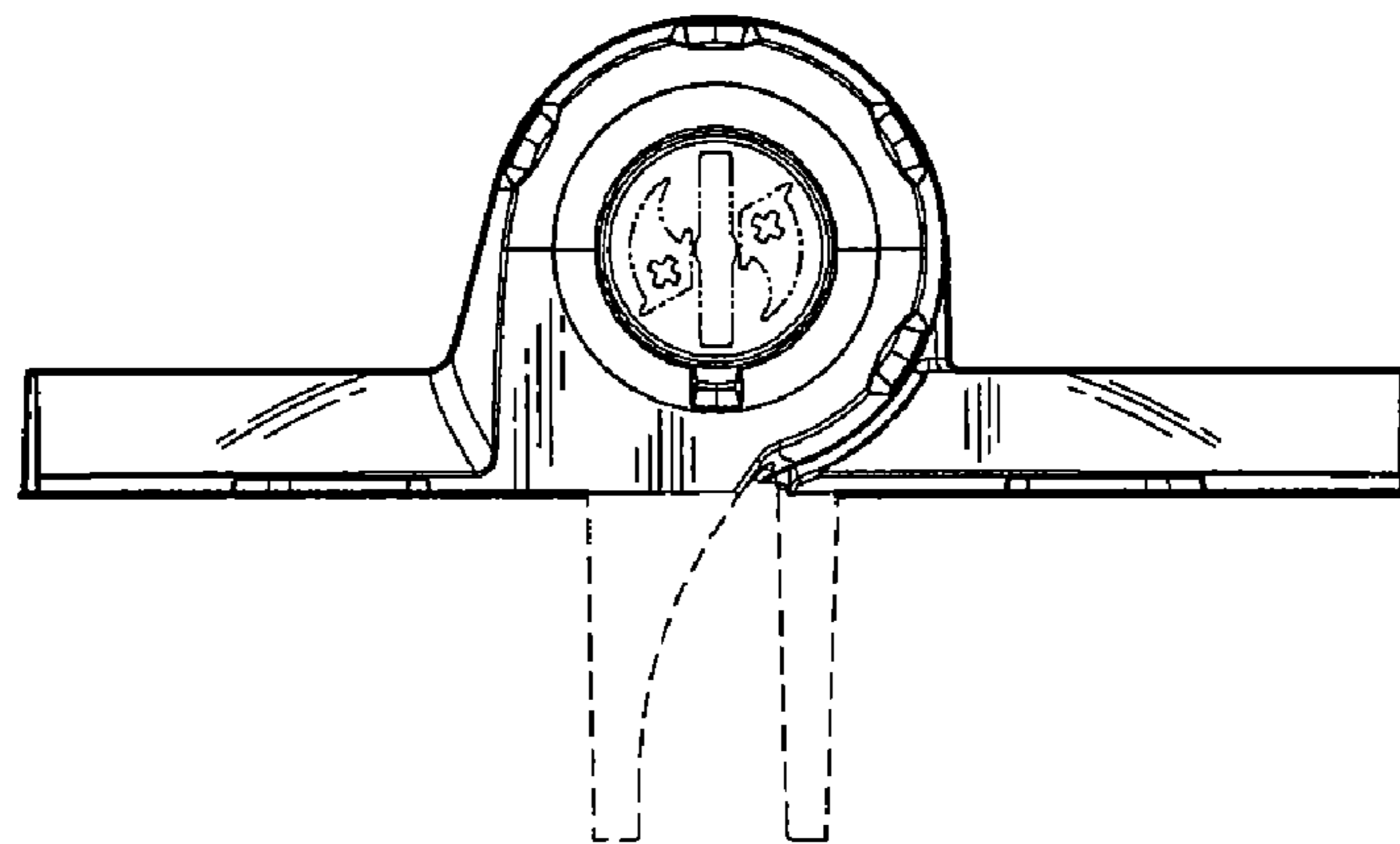


FIG. 16