

US00D673023S

(12) **United States Design Patent**
Christopher

(10) **Patent No.:** **US D673,023 S**
(45) **Date of Patent:** **** Dec. 25, 2012**

(54) **HAND TOOL**

(75) Inventor: **Brent Christopher**, Portland, OR (US)

(73) Assignee: **Meridian International Co., Ltd.** (CN)

(**) Term: **14 Years**

(21) Appl. No.: **29/387,836**

(22) Filed: **Mar. 18, 2011**

(30) **Foreign Application Priority Data**

Sep. 29, 2010 (CN) 2010 1 0296766
Sep. 29, 2010 (CN) 2010 2 0548184
Nov. 29, 2010 (CN) 2010 3 0645947

(51) **LOC (9) Cl.** **08-04**

(52) **U.S. Cl.** **D8/85**

(58) **Field of Classification Search** D8/21,
D8/25, 29, 61, 82-87, 105, 107; 81/52, 177.1-177.4,
81/177.7, 489-491

See application file for complete search history.

(56) **References Cited**

U.S. PATENT DOCUMENTS

D118,724 S * 1/1940 Misuraca D8/61
D161,719 S * 1/1951 Thomson D8/61

D559,056 S * 1/2008 Wise D8/61
D565,914 S * 4/2008 Teng D8/61
D657,646 S * 4/2012 Schoch et al. D8/61
2005/0268750 A1* 12/2005 Bruce et al. 81/52
2010/0116104 A1* 5/2010 Hung 81/490

* cited by examiner

Primary Examiner — Philip S Hyder

Assistant Examiner — Roselynn Cody

(74) *Attorney, Agent, or Firm* — Jason R. Sytsma;
Shuttleworth & Ingersoll, PLC

(57) **CLAIM**

The ornamental design for a hand tool, as shown and described.

DESCRIPTION

FIG. 1 is a perspective view of a hand tool according to the invention;

FIG. 2 is a right side view of the hand tool of FIG. 1;

FIG. 3 is a left side view of the hand tool of FIG. 1;

FIG. 4 is back view of the hand tool of FIG. 1;

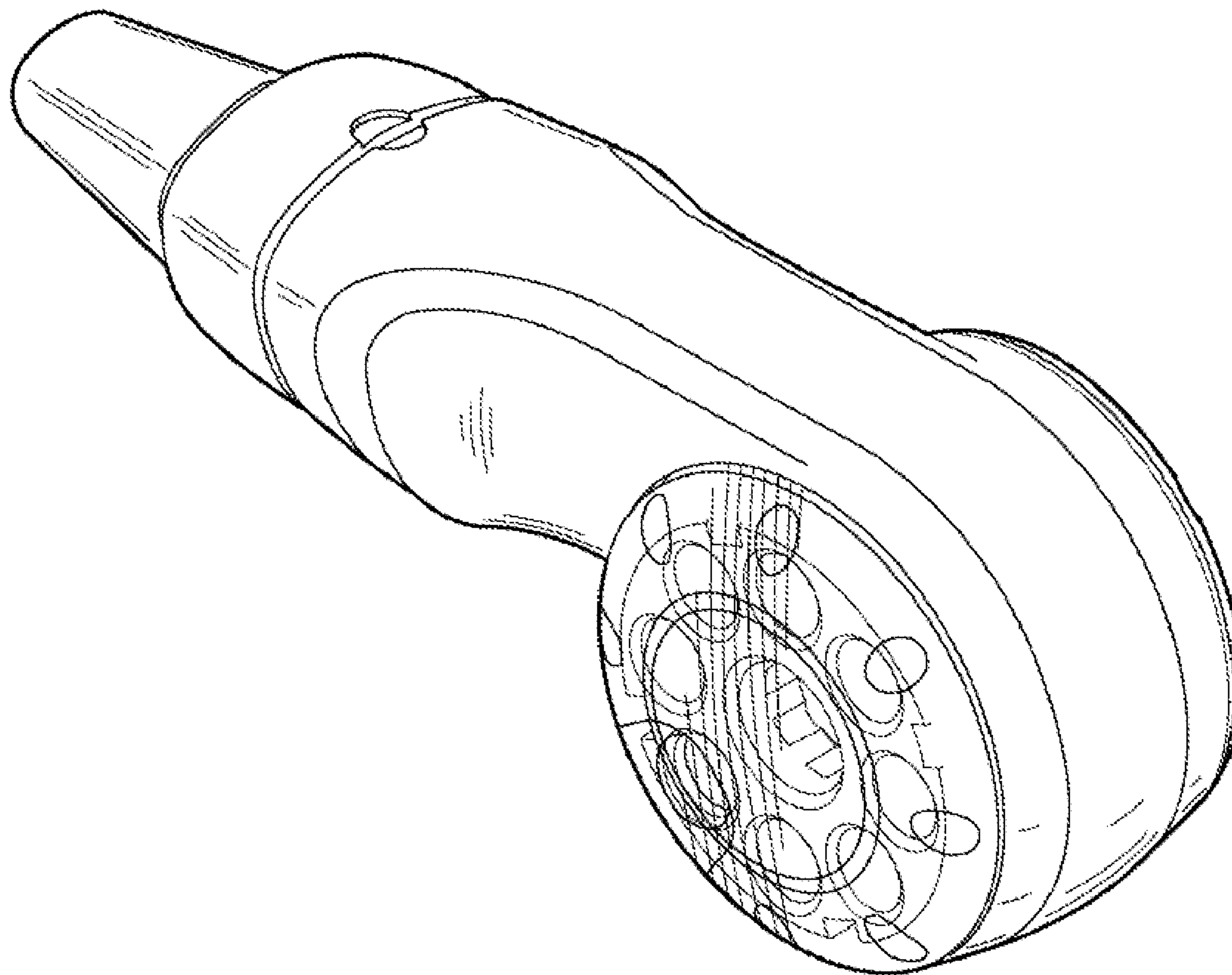
FIG. 5 is a front view of the hand tool of FIG. 1;

FIG. 6 is a bottom view of the hand tool of FIG. 1; and,

FIG. 7 is a top view of the hand tool of FIG. 1.

The broken lines in FIG. 5 illustrate features of the hand tool that form no part of the claim.

1 Claim, 7 Drawing Sheets



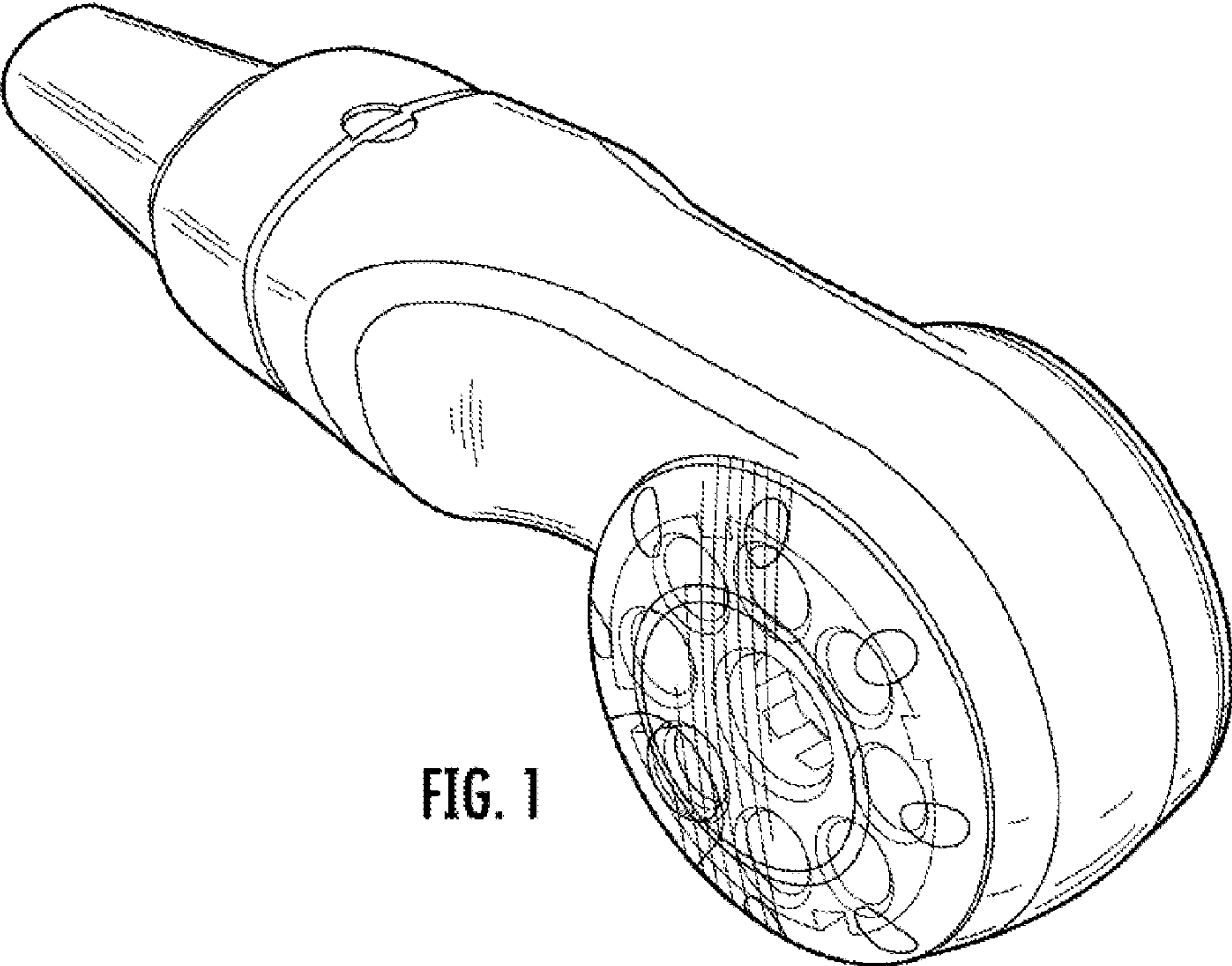


FIG. 1

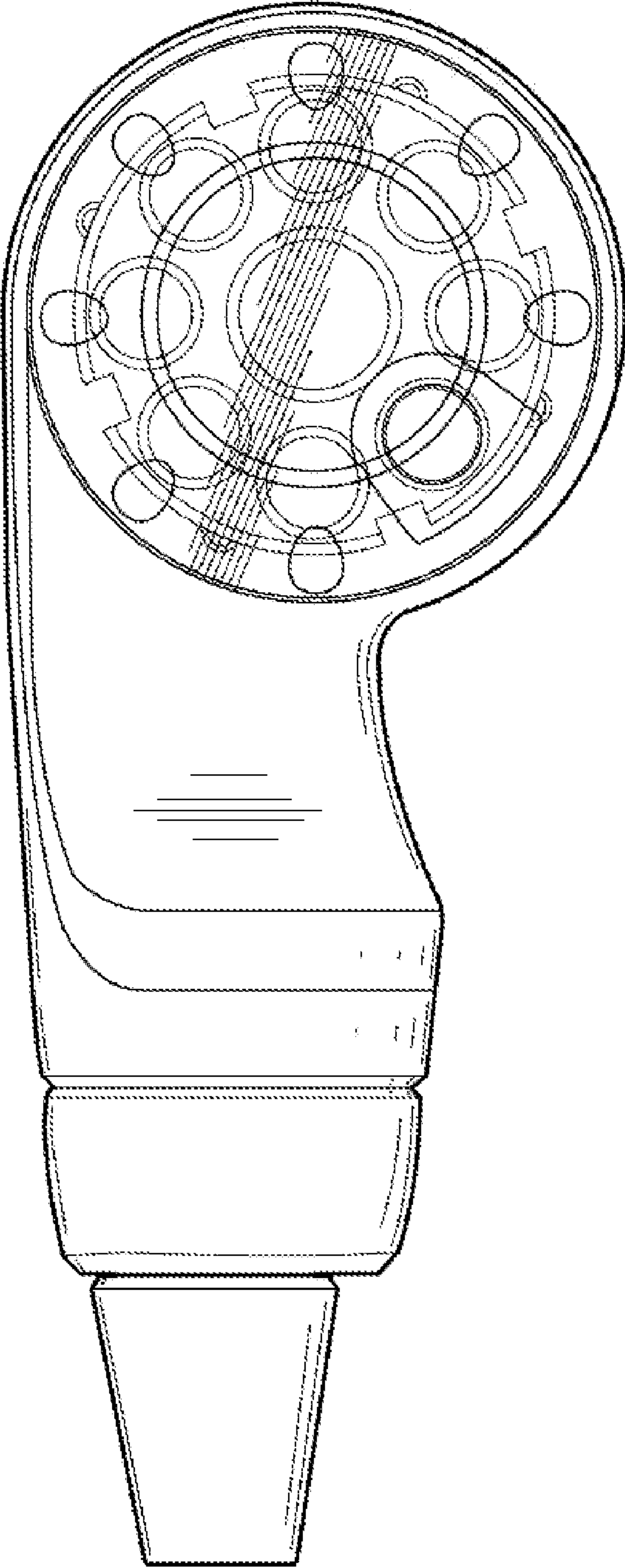


FIG. 2

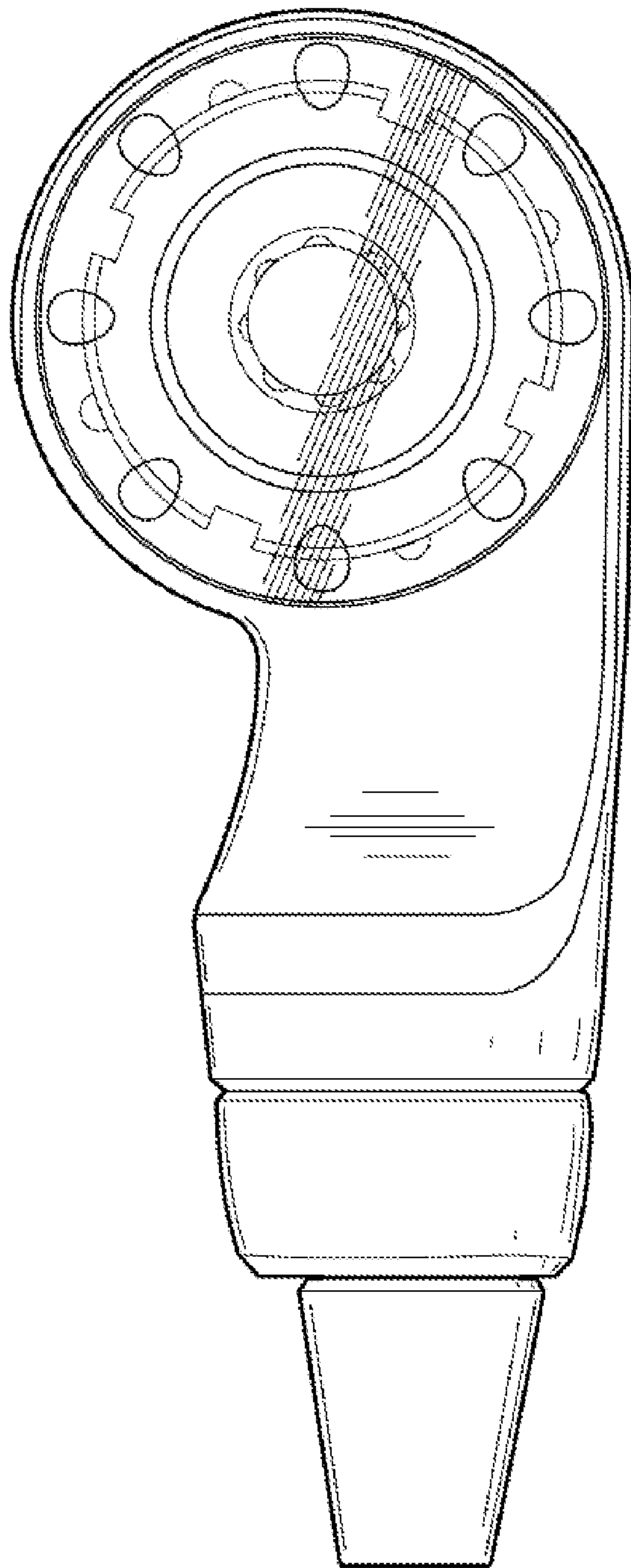


FIG. 3

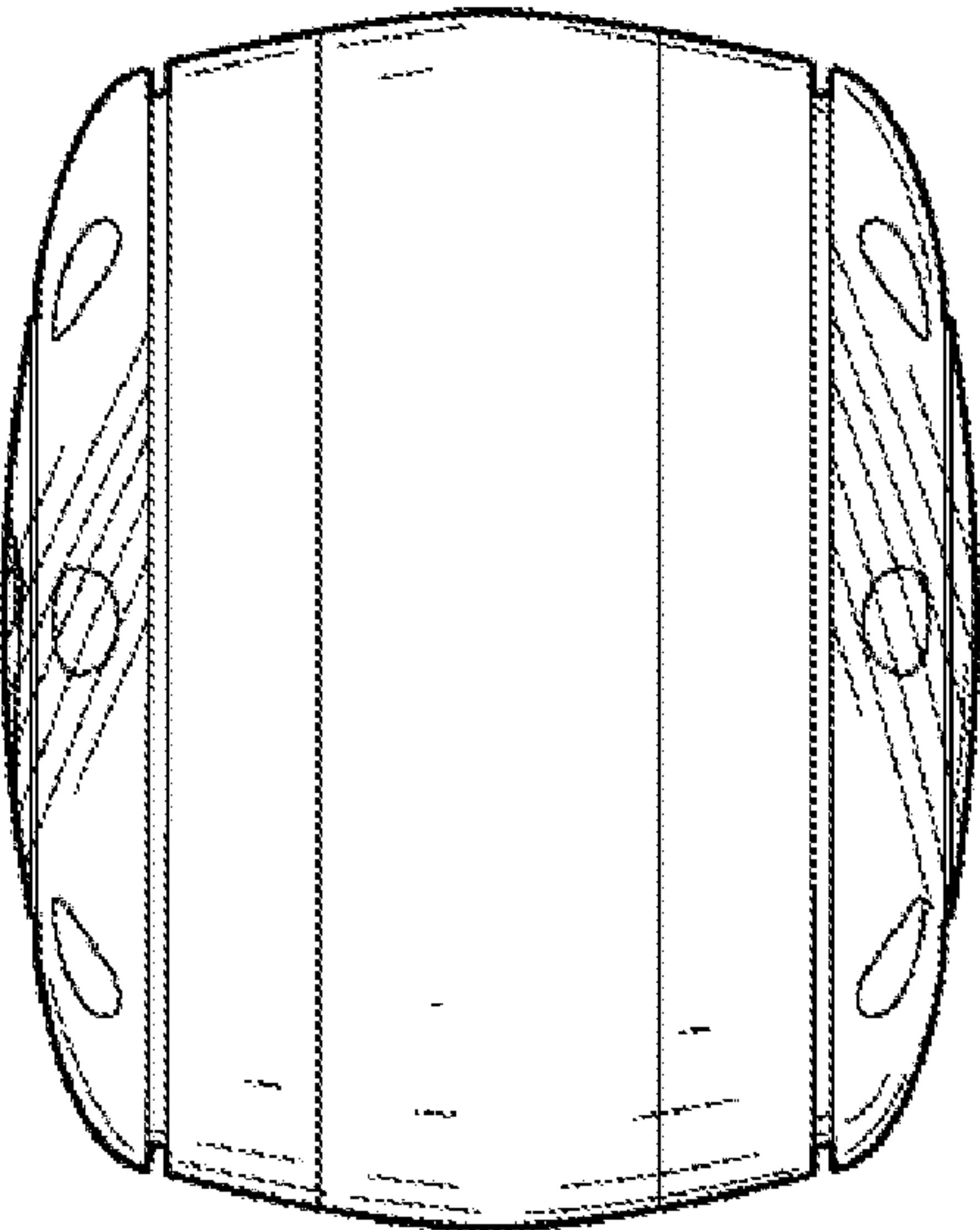


FIG. 4

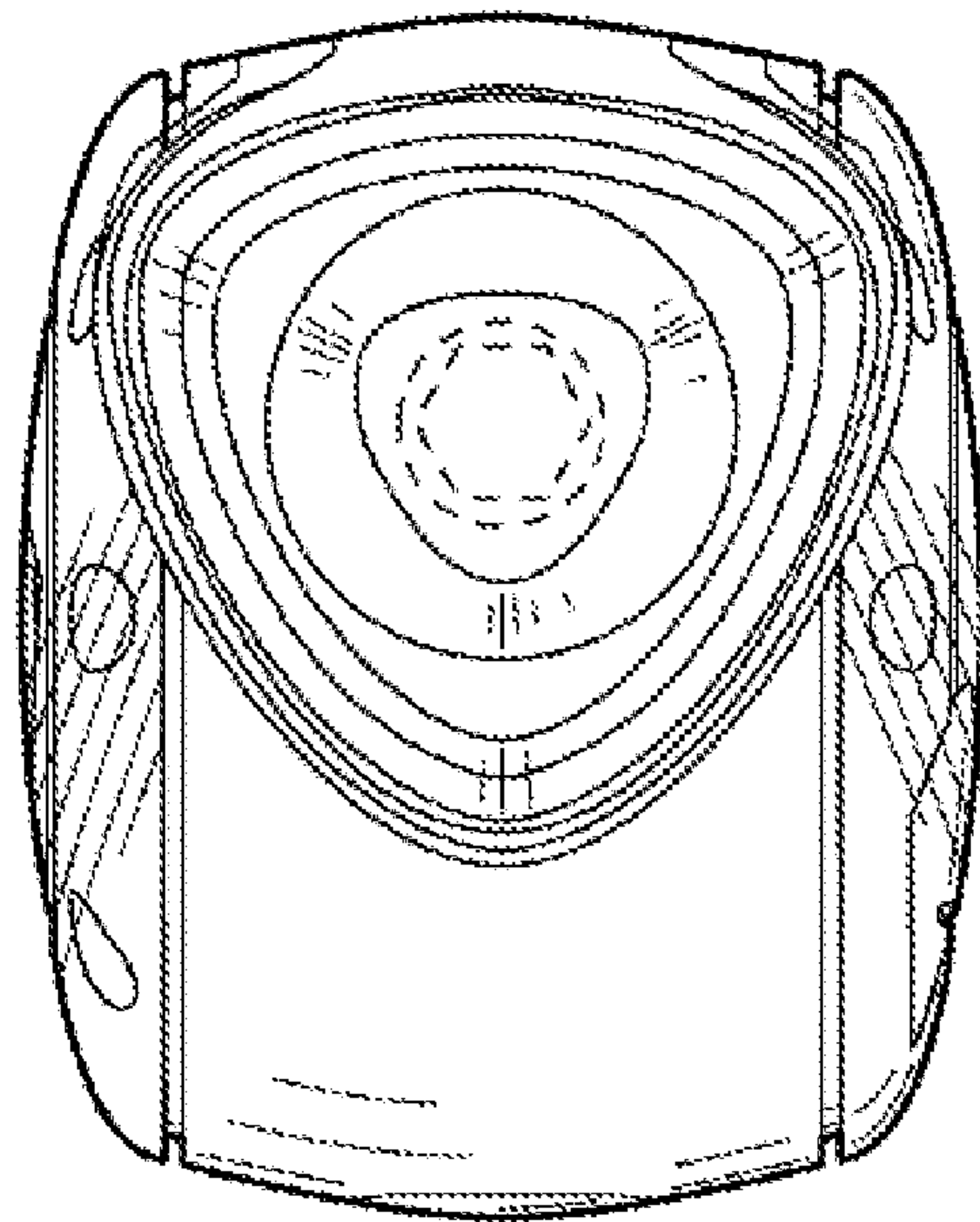


FIG. 5

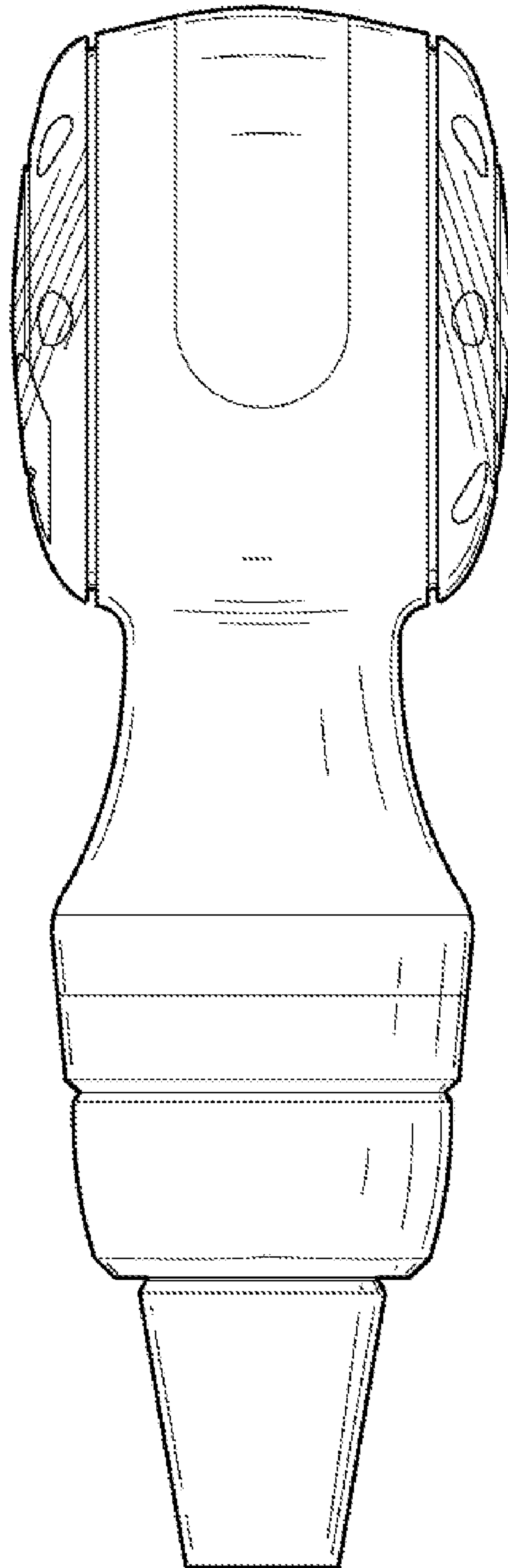


FIG. 6

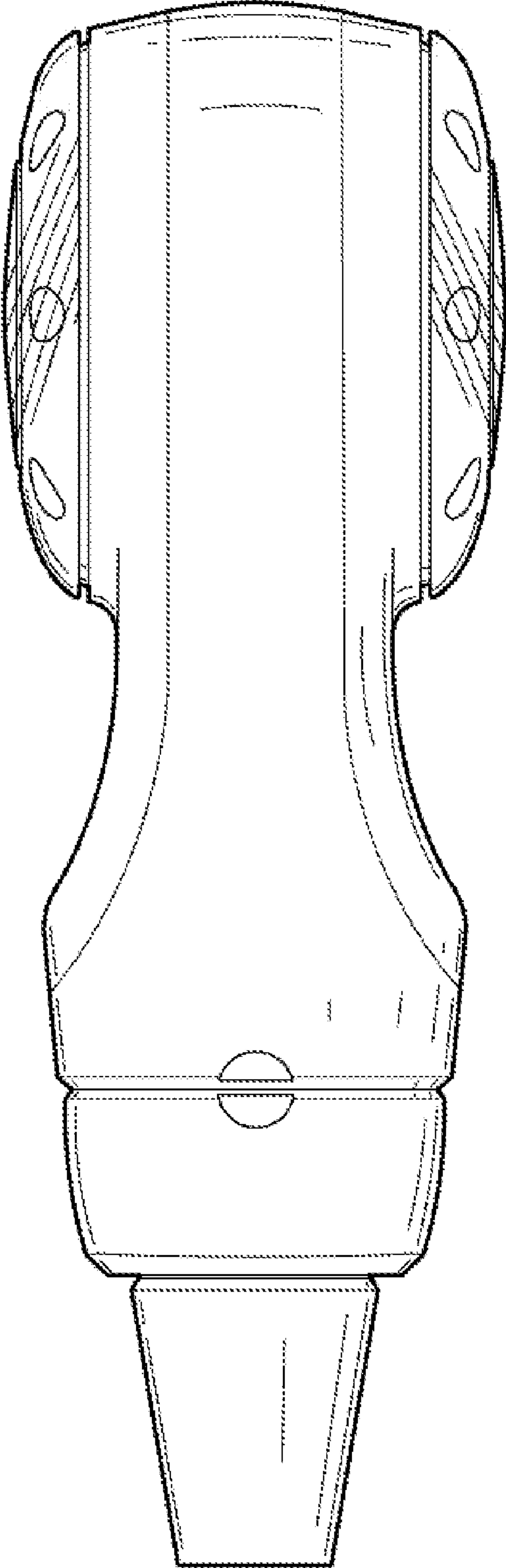


FIG. 7