



US00D673020S

(12) **United States Design Patent**
Brummitt

(10) **Patent No.:** **US D673,020 S**
(45) **Date of Patent:** **** Dec. 25, 2012**

(54) **SINGLE TRIGGER DISPENSERS FOR CARTRIDGES**

FOREIGN PATENT DOCUMENTS

DE 1784336 8/1971
(Continued)

(75) Inventor: **Richard Brummitt**, Basingstoke (GB)

(73) Assignee: **P.C. Cox Limited**, Berkshire (GB)

OTHER PUBLICATIONS

(**) Term: **14 Years**

European Extended Search Report for European Application No. 10196812.1 dated Jul. 11, 2011.

(21) Appl. No.: **29/394,883**

(Continued)

(22) Filed: **Jun. 22, 2011**

Primary Examiner — Robin V Webster

(30) **Foreign Application Priority Data**

(74) *Attorney, Agent, or Firm* — Patterson Thuenthe Christensen Pedersen, P.A.

Dec. 23, 2010 (EM) 001252670-0001
Dec. 23, 2010 (EM) 001252670-0002
Dec. 23, 2010 (EM) 001252670-0003

(51) **LOC (9) Cl.** **08-05**

(57) **CLAIM**

(52) **U.S. Cl.** **D8/14.1; D23/223**

I claim the ornamental design for single trigger dispensers for cartridges, as shown.

(58) **Field of Classification Search** D23/213,
D23/223, 226; D8/14.1; 361/227, 228; 239/690,
239/690.1; 222/137

See application file for complete search history.

DESCRIPTION

(56) **References Cited**

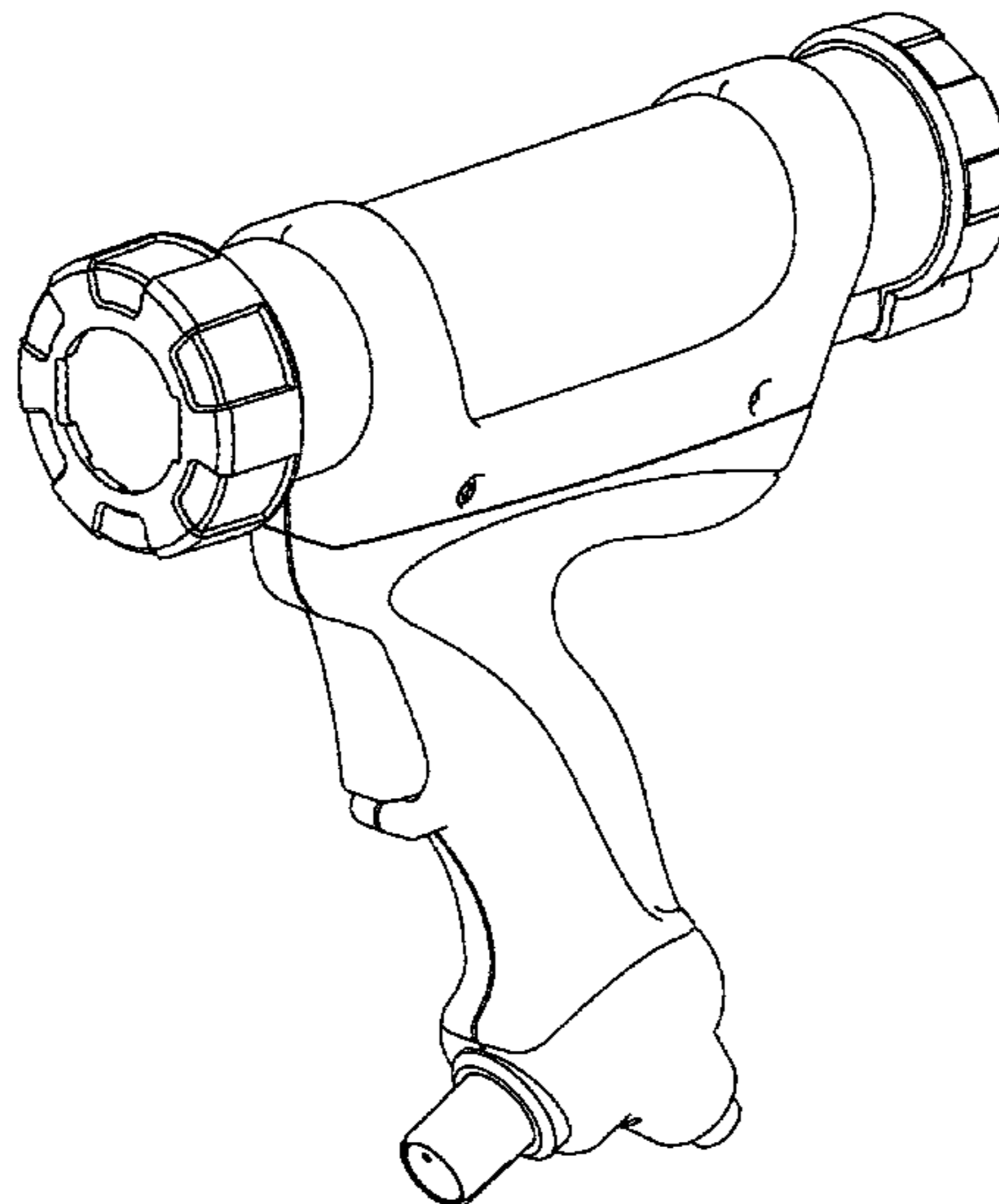
U.S. PATENT DOCUMENTS

2,692,706 A 10/1954 Carl
3,254,806 A 6/1966 Niels
3,740,612 A * 6/1973 Gauthier et al. 361/227
3,768,472 A 10/1973 Hodosh et al.
3,819,115 A * 6/1974 Soderman 239/698
3,980,209 A 9/1976 Collar
4,174,068 A 11/1979 Rudolph
4,264,021 A 4/1981 Davis, Jr.
4,273,269 A 6/1981 Davis, Jr.
4,290,091 A * 9/1981 Malcolm 361/228
4,376,498 A 3/1983 Davis, Jr.
4,472,141 A 9/1984 Dragan et al.
D329,277 S * 9/1992 Keske et al. D23/226
5,558,277 A 9/1996 Owen et al.
D394,994 S 6/1998 Dreve

(Continued)

FIG. 1 is a front perspective view of a single trigger dispensers for cartridges according to an embodiment of the invention. FIG. 2 is a side view of a single trigger dispensers for cartridges according to an embodiment of the invention. FIG. 3 is a rear perspective view of a single trigger dispensers for cartridges according to an embodiment of the invention. FIG. 4 is a front view of a single trigger dispensers for cartridges according to an embodiment of the invention. FIG. 5 is a rear view of a single trigger dispensers for cartridges according to an embodiment of the invention. FIG. 6 is a top view of a single trigger dispensers for cartridges according to an embodiment of the invention; and, FIG. 7 is a bottom view of a single trigger dispensers for cartridges according to an embodiment of the invention.

1 Claim, 5 Drawing Sheets



US D673,020 S

Page 2

U.S. PATENT DOCUMENTS

5,860,739 A 1/1999 Cannon et al.
D411,421 S 6/1999 Mayeur
6,116,902 A 9/2000 Schoedel et al.
D479,305 S * 9/2003 Zittel et al. D23/226
D583,639 S 12/2008 Axinte et al.
D588,231 S * 3/2009 Pellin et al. D23/223
D608,858 S * 1/2010 Baltz et al. D23/226
D649,221 S * 11/2011 Sindere et al. D23/226
D660,105 S 5/2012 Brummitt
D660,663 S 5/2012 Brummitt
2002/0092871 A1 7/2002 Rickard

FOREIGN PATENT DOCUMENTS

DE 3031939 8/1980
DE 9000957 4/1990
DE 9011965 10/1990
DE 102005038621 3/2007
EP 0276665 8/1988
EP 0406113 6/1990
EP 0443611 2/1991
EP 0525562 7/1992
EP 0551998 1/1993

FR 984352 7/1951
GB 1589381 7/1977
WO WO2006/106215 10/2006

OTHER PUBLICATIONS

European Extended Search Report of European Application No. 10196810.5 dated Jul. 19, 2011.
European Extended Search Report of European Application No. 10196813.9 dated Jun. 28, 2011.
European Extended Search Report of European Application No. 10196816.2 dated Jun. 22, 2011.
International Search Report of International Application No. PCT/FR2006/000710 dated Jul. 13, 2006.
European Search Report for European Application No. EP91102643 dated Oct. 3, 1991.
European Search Report for European Application No. EP90401861 dated Mar. 13, 1991.
Application and File History of U.S. Appl. No. 29/394,887, filed Jun. 22, 2011, inventor Brummitt.
Application and File History of U.S. Appl. No. 29/394,891, filed Jun. 22, 2011, inventor Brummitt.

* cited by examiner

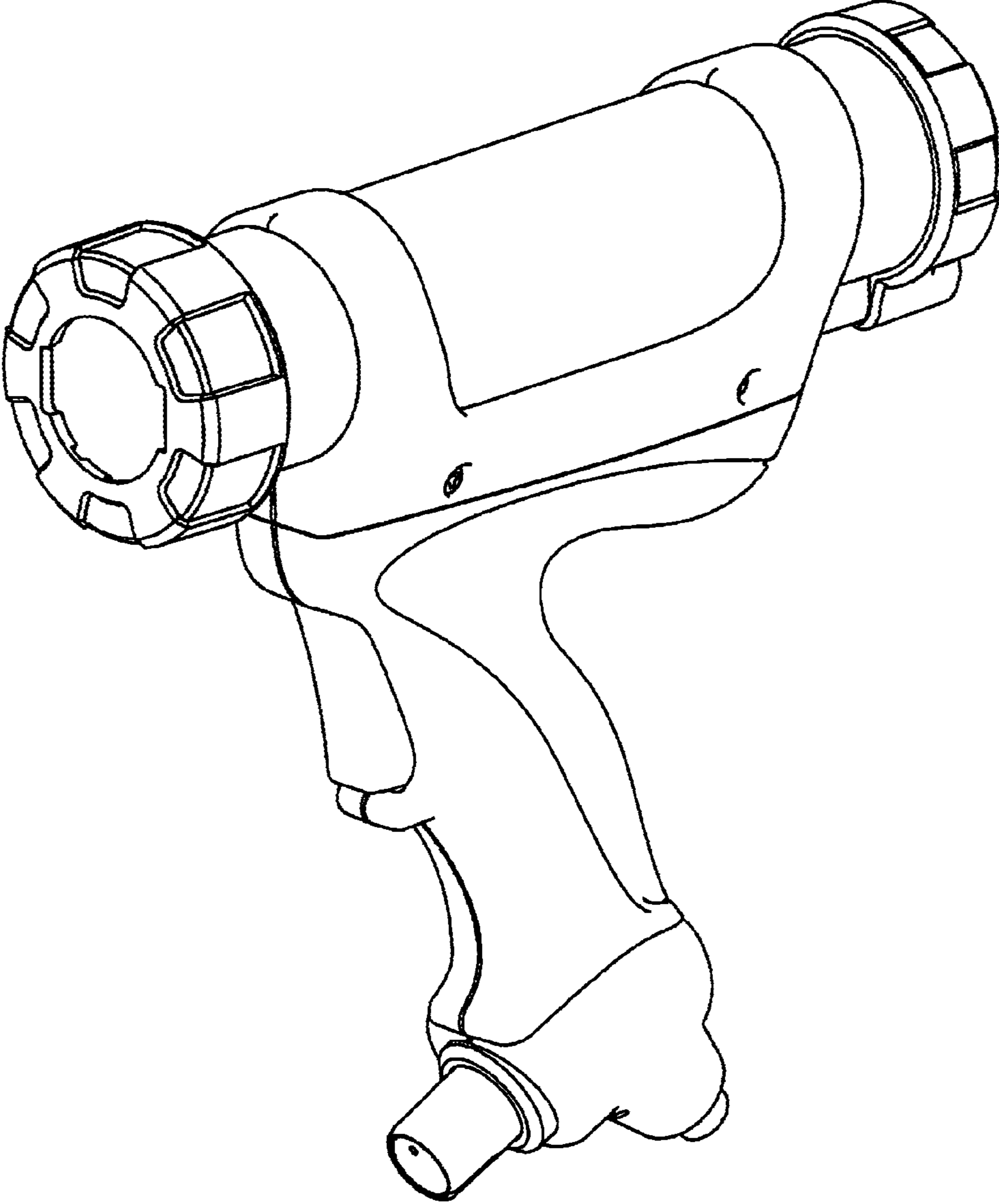


Figure 1

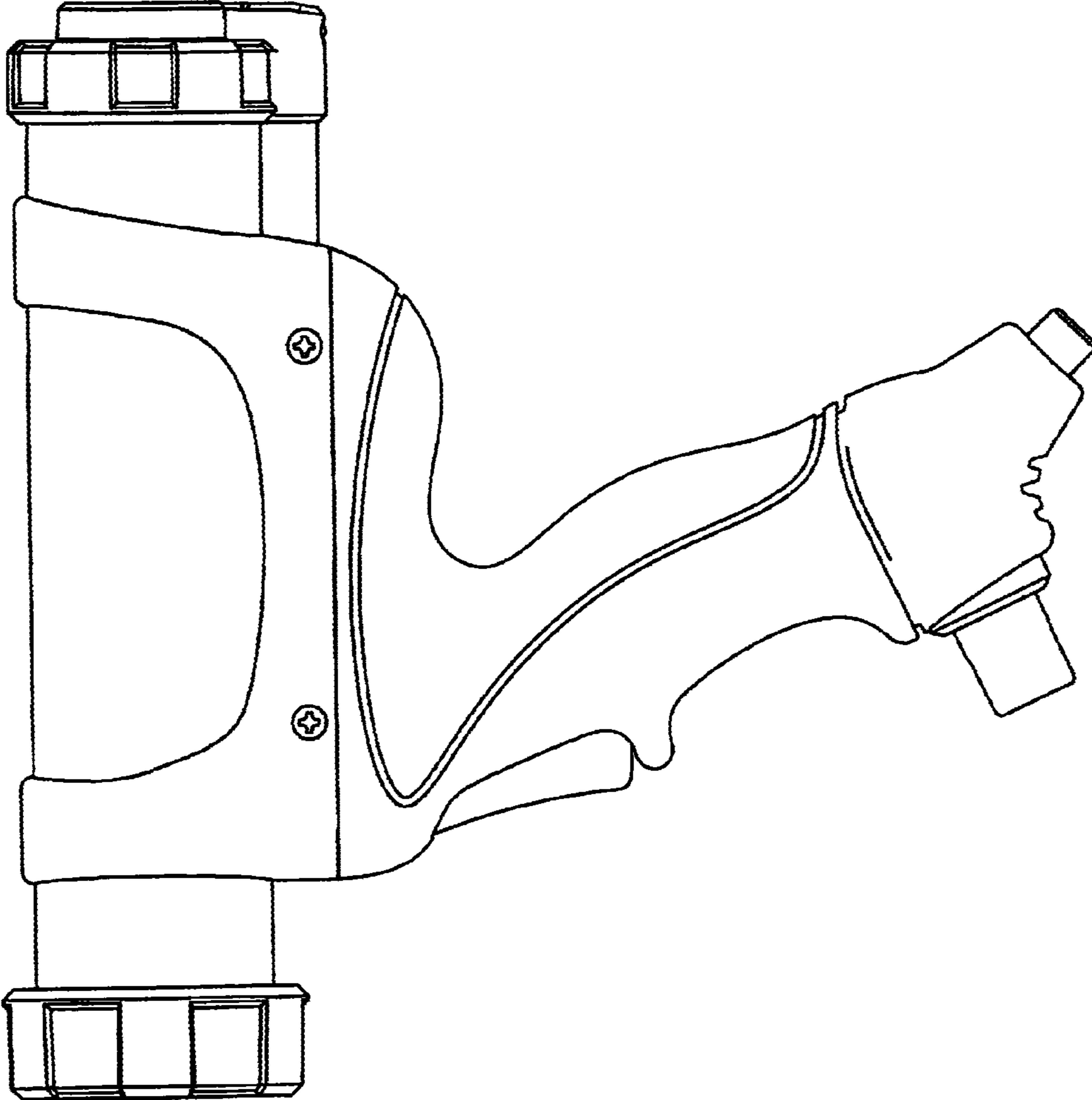


Figure 2

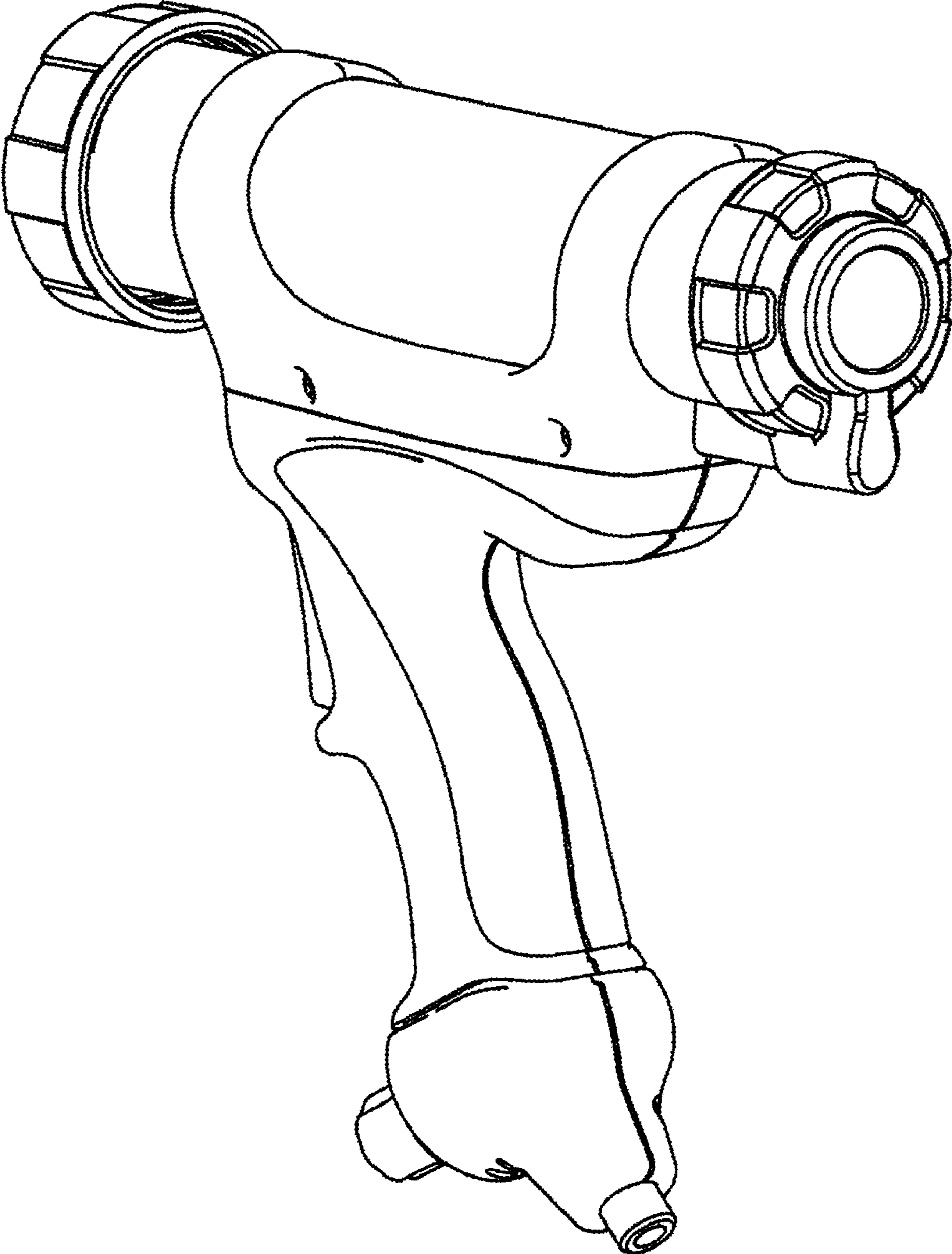


Figure 3

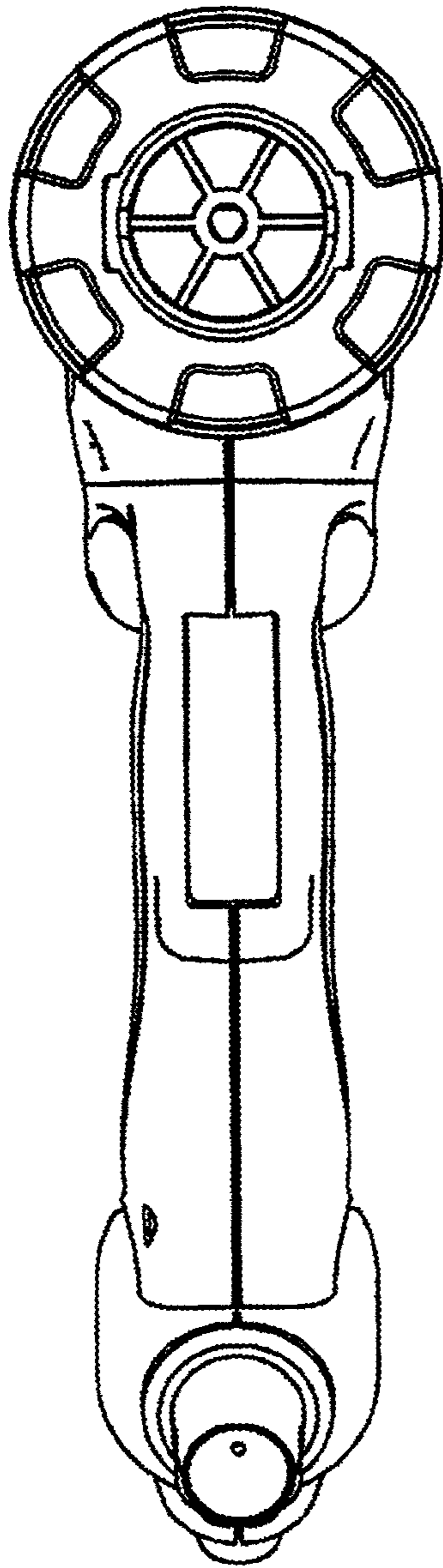


Figure 4

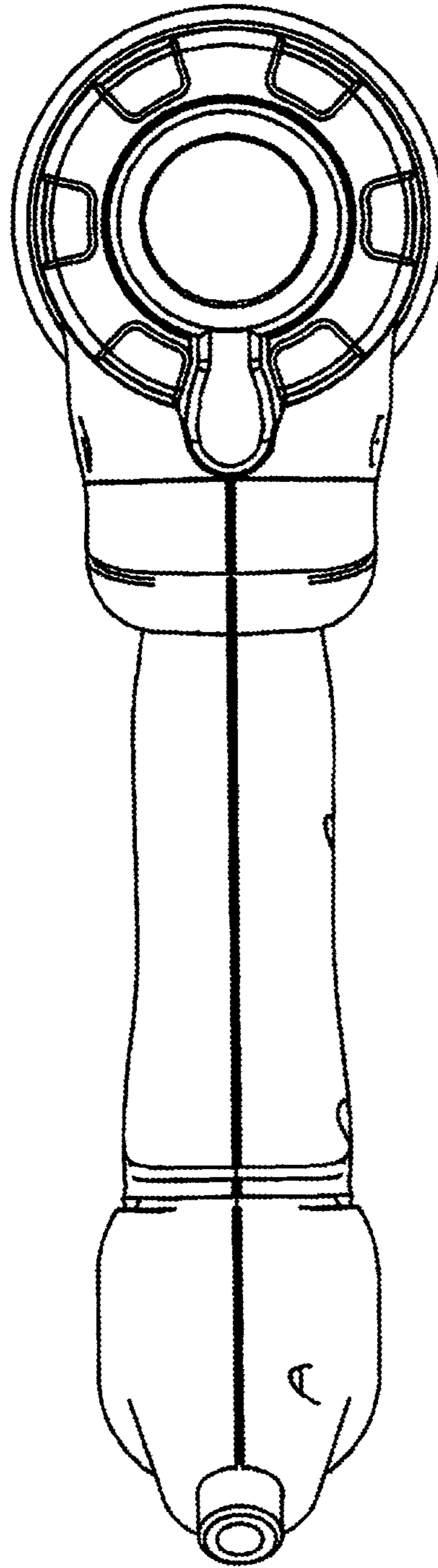


Figure 5

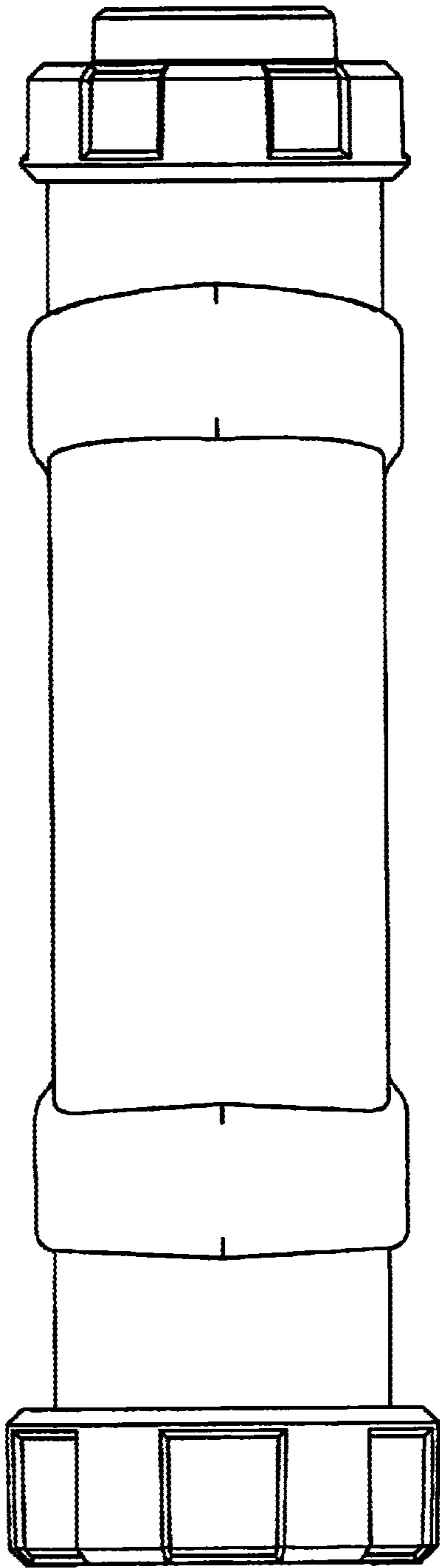


Figure 6

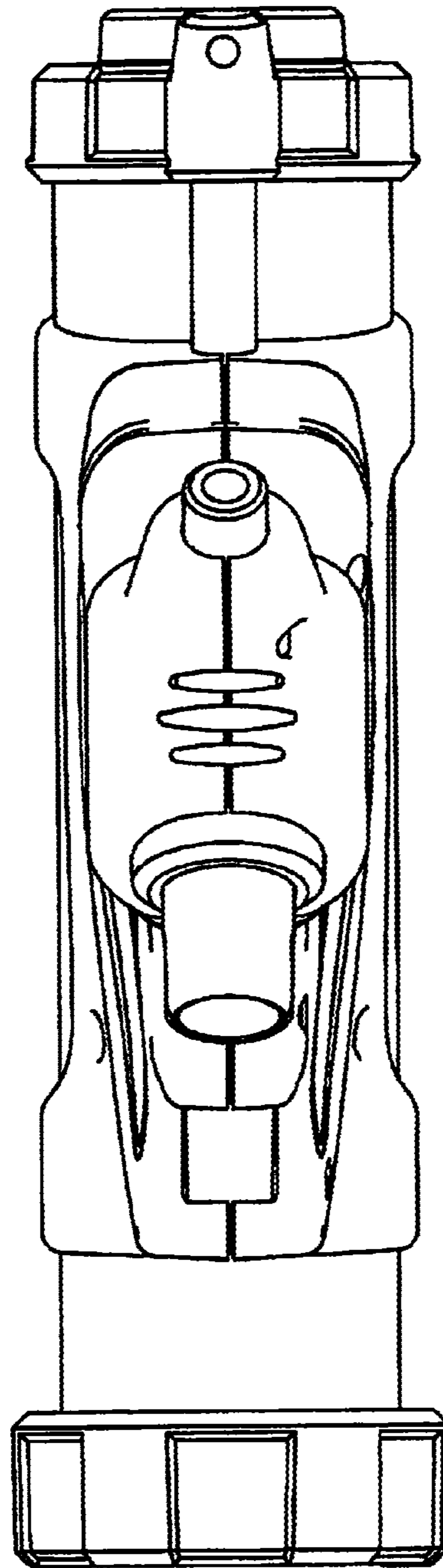


Figure 7