



US00D673019S

(12) **United States Design Patent**  
**Pyle**

(10) **Patent No.:** **US D673,019 S**

(45) **Date of Patent:** **\*\* Dec. 25, 2012**

(54) **FAN SWITCH ACTUATOR**

(76) Inventor: **Donald D. Pyle**, Stonefort, IL (US)

(\*\*) Term: **14 Years**

(21) Appl. No.: **29/396,625**

(22) Filed: **Jul. 1, 2011**

(51) **LOC (9) Cl.** ..... **08-05**

(52) **U.S. Cl.** ..... **D8/14; D13/173**

(58) **Field of Classification Search** ..... D8/14,  
D8/16, 300, 302; D13/174, 173; 74/554;  
200/329, 330, 331; 294/174, 175, 209, 210  
See application file for complete search history.

(56) **References Cited**

**U.S. PATENT DOCUMENTS**

2,724,032	A	*	11/1955	Coletta	.....	200/331
D231,074	S	*	4/1974	Jones	.....	D8/88
D268,729	S	*	4/1983	Brown	.....	D8/14
5,046,143	A	*	9/1991	Uher	.....	200/331
D334,563	S	*	4/1993	Burbage	.....	D13/173
D345,681	S	*	4/1994	Bruzzi	.....	D8/14
5,380,967	A	*	1/1995	Steen et al.	.....	200/331
D363,009	S	*	10/1995	Culp	.....	D8/19
D381,636	S	*	7/1997	Bush	.....	D13/173
5,782,342	A	*	7/1998	Hewitt et al.	.....	200/331
D424,896	S	*	5/2000	Christian, Jr.	.....	D8/14
D429,222	S	*	8/2000	Phillips et al.	.....	D13/173

D553,449	S	*	10/2007	Rustam	.....	D7/669
D594,719	S	*	6/2009	Birgl	.....	D8/14
D602,323	S	*	10/2009	Alleyne	.....	D8/89

\* cited by examiner

*Primary Examiner* — Caron D Veynar

*Assistant Examiner* — Martie K Holtje

(74) *Attorney, Agent, or Firm* — Quick Patents; Kevin Prince

(57) **CLAIM**

I claim the ornamental design for a fan switch actuator, as shown and described.

**DESCRIPTION**

FIG. 1 is a perspective view of a fan switch actuator, showing my new design;

FIG. 2 is a top plan view thereof;

FIG. 3 is a bottom plan view thereof;

FIG. 4 is a front elevational view thereof;

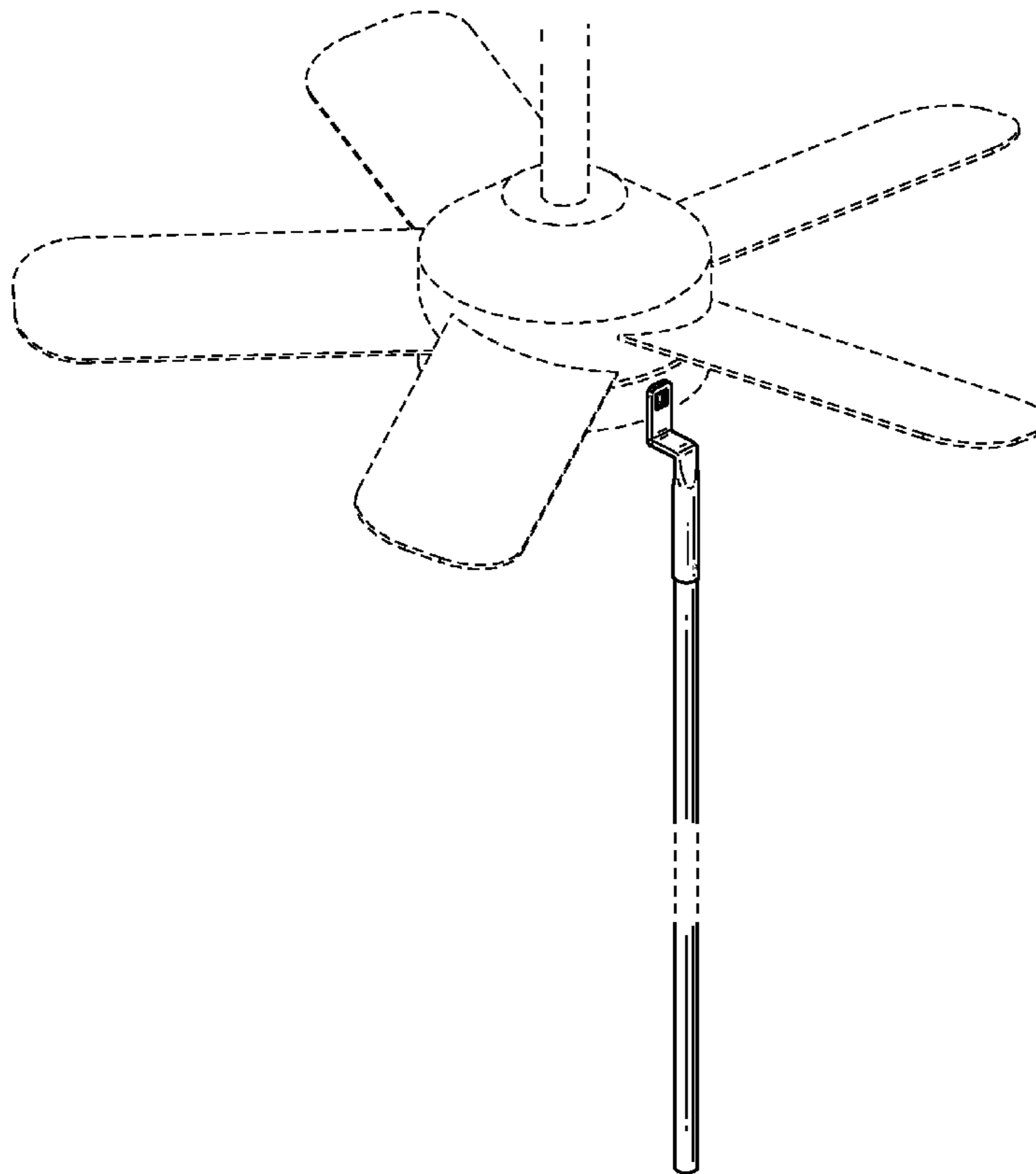
FIG. 5 is a left-side elevational view thereof, the right-side elevational view being a mirror image thereof; and,

FIG. 6 is a rear elevational view thereof.

The ceiling fan structure and the handle portion of the fan switch actuator depicted by means of broken lines in FIG. 1, form no part of the claimed design.

FIGS. 4, 5, and 6 have been shown with a symbolic break in length, wherein the appearance of any portion between the break lines forms no part of the claimed design.

**1 Claim, 2 Drawing Sheets**



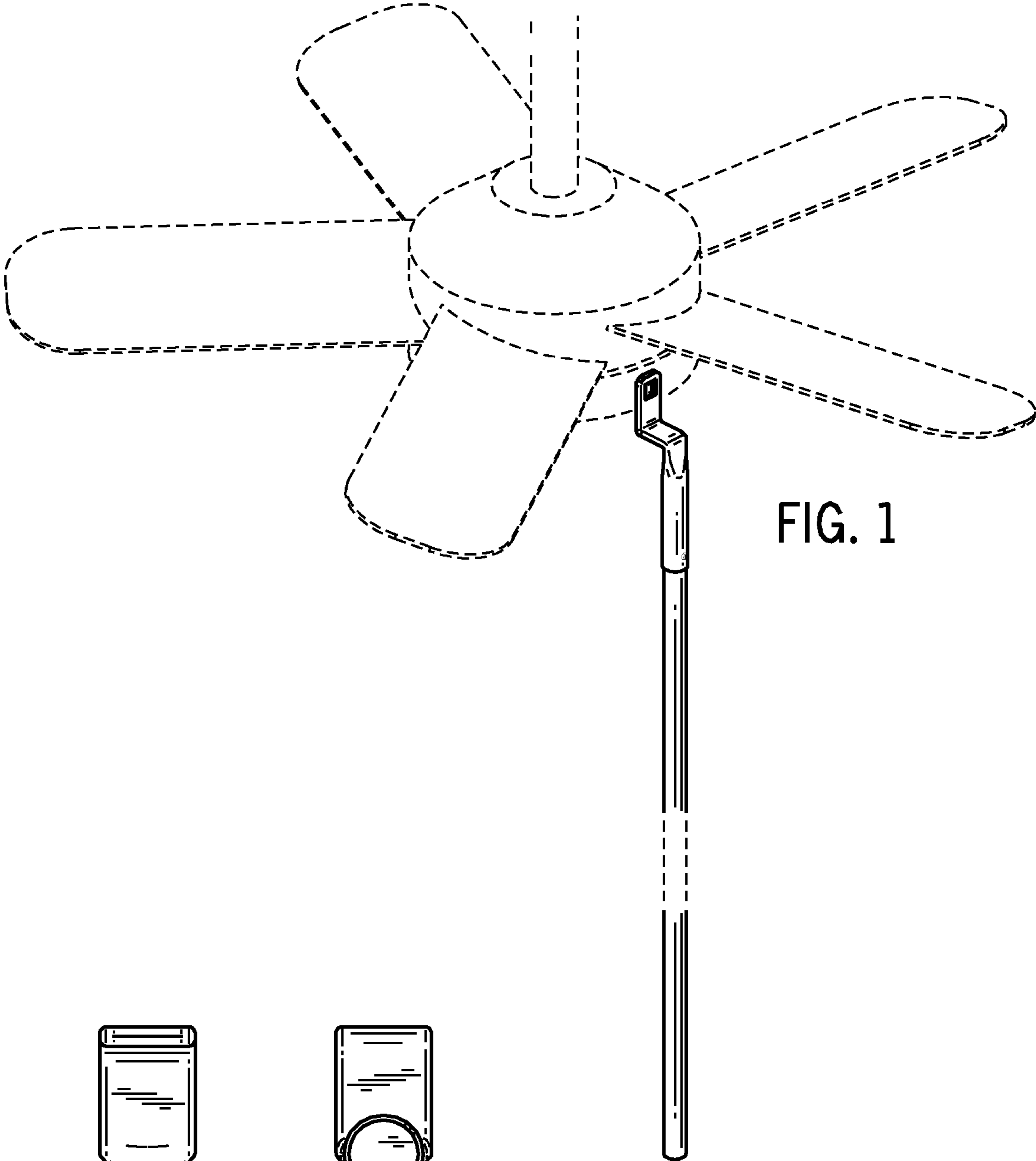


FIG. 1



FIG. 2



FIG. 3

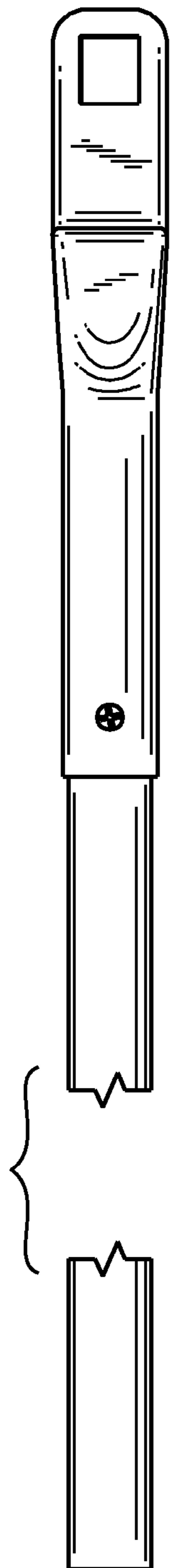


FIG. 4

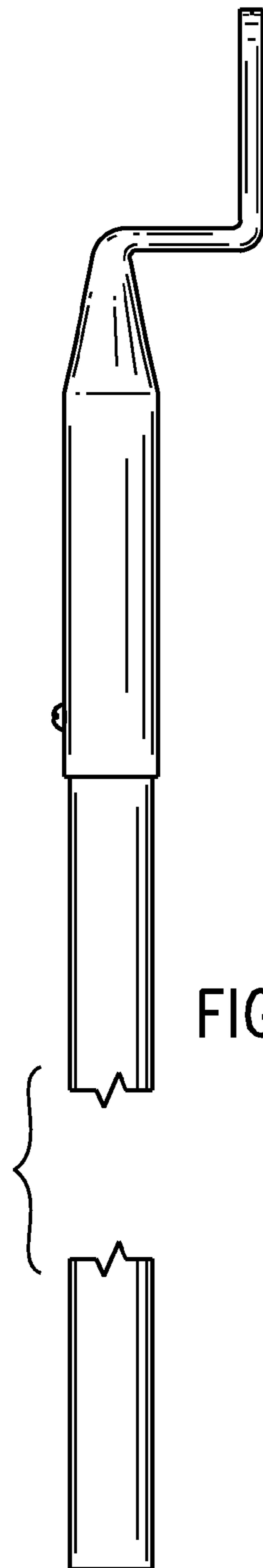


FIG. 5

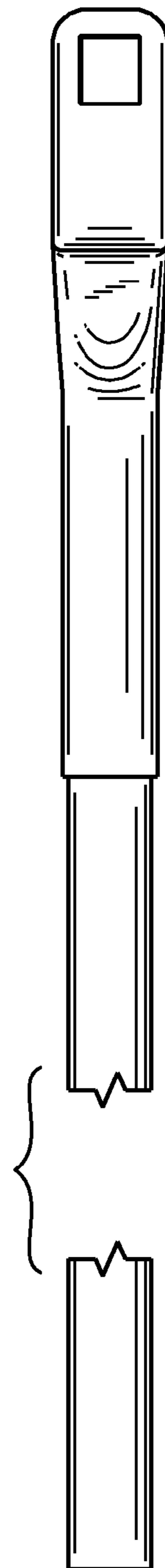


FIG. 6