



US00D673018S

(12) **United States Design Patent**
Zang

(10) **Patent No.:** **US D673,018 S**

(45) **Date of Patent:** **** Dec. 25, 2012**

(54) **HIGH STRENGTH SHOVELS**

(75) Inventor: **Richard Zang**, Palmetto, FL (US)

(73) Assignee: **Easi-Dig, Inc.**, Palmetto, FL (US)

(**) Term: **14 Years**

(21) Appl. No.: **29/390,309**

(22) Filed: **Apr. 22, 2011**

(51) **LOC (9) Cl.** **08-01**

(52) **U.S. Cl.** **D8/10**

(58) **Field of Classification Search** D8/10,
D8/13; 294/49, 54.5, 56, 57, 58; 56/400.01,
56/400.14; 37/265, 285, 434

See application file for complete search history.

(56) **References Cited**

U.S. PATENT DOCUMENTS

D250,083 S	10/1978	Insalaco
4,135,751 A	1/1979	Gederos
4,203,210 A	5/1980	Hadick
4,247,141 A	1/1981	Grint
4,334,583 A	6/1982	Parker
D265,791 S	8/1982	Feini
D266,899 S	11/1982	Moore
D269,403 S	6/1983	Miyata
4,396,214 A	8/1983	Lesche
D272,799 S	2/1984	Pluss
4,565,398 A	1/1986	Poulin
4,642,918 A	2/1987	Venables
4,865,372 A	9/1989	Gabriel
4,901,801 A	2/1990	Popivalo
4,916,984 A	4/1990	Albert
D332,555 S	1/1993	Hagerman
5,306,061 A	4/1994	Ives
5,383,696 A	1/1995	Speier
D363,862 S	11/1995	Lusignan
5,520,429 A	5/1996	Gregory

5,533,578 A 7/1996 Powell

5,645,305 A 7/1997 Lispi

D388,292 S 12/1997 Rich

D388,668 S 1/1998 Rich

(Continued)

Primary Examiner — Sheryl Lane

(74) *Attorney, Agent, or Firm* — Brian S. Steinberger; Law Offices of Brian S. Steinberger, P.A.

(57) **CLAIM**

The ornamental design for high strength shovels, as shown and described.

DESCRIPTION

FIG. 1 is a upper right perspective view of the novel 8 point full size shovel.

FIG. 2 is a lower right perspective view of the novel shovel of FIG. 1.

FIG. 3 is a upper planar view of the novel shovel of FIG. 2

FIG. 4 is a right side planar view of the novel shovel of FIG. 3.

FIG. 5 is a back planar view of the novel shovel of FIG. 1.

FIG. 6 is a front planar view of the novel shovel of FIG. 1.

FIG. 7 is an upper right perspective view of a novel 4 point full size shovel.

FIG. 8 is a lower right perspective view of the novel shovel of FIG. 7.

FIG. 9 is an upper planar view of the novel shovel of FIG. 7.

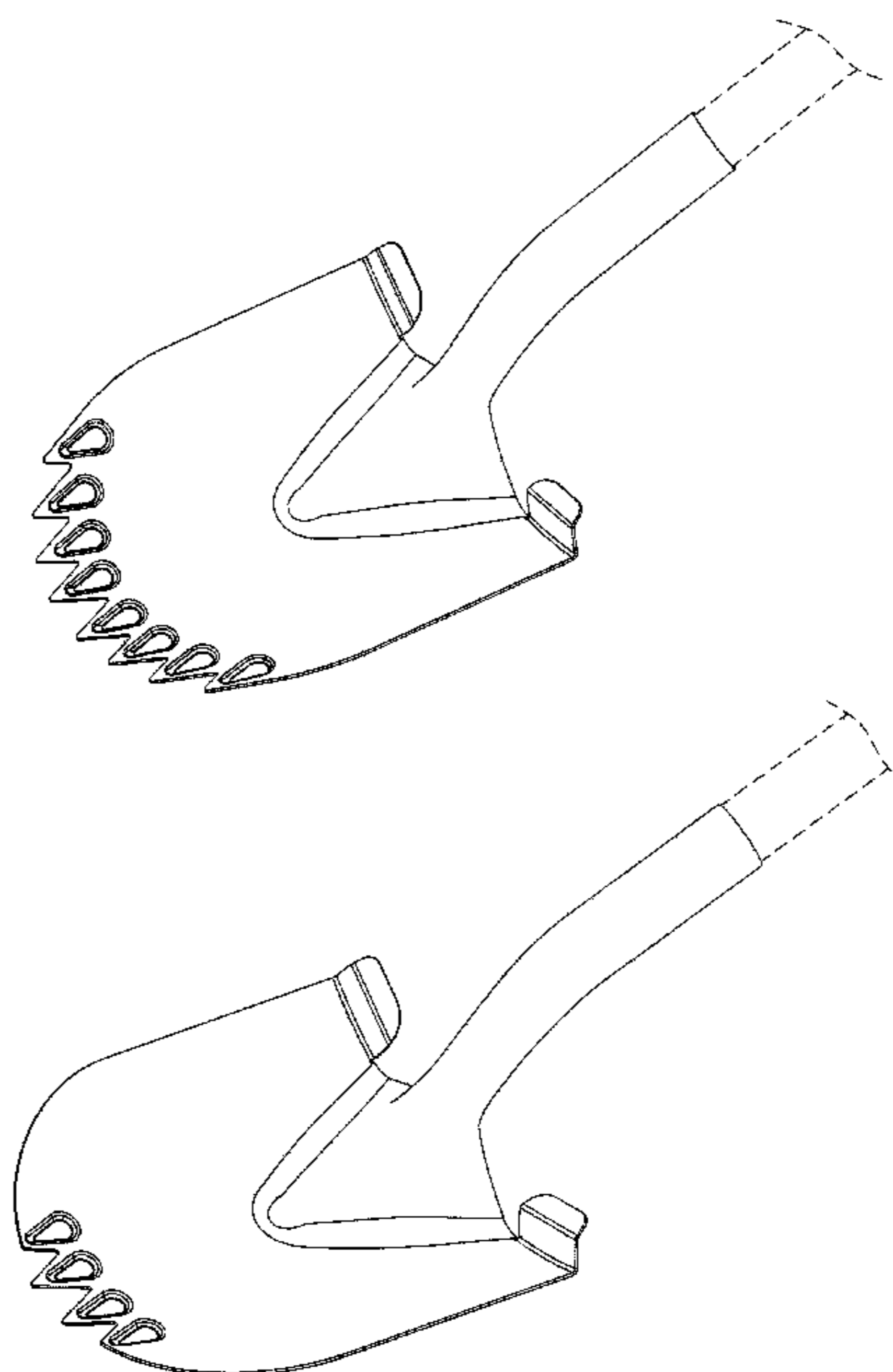
FIG. 10 is a right side planar view of the novel shovel of FIG. 9.

FIG. 11 is a back planar view of the novel shovel of FIG. 9; and,

FIG. 12 is a front planar view of the novel shovel of FIG. 9.

The broken lines represent portions of the article and form no part of the claimed design.

1 Claim, 10 Drawing Sheets



US D673,018 S

Page 2

U.S. PATENT DOCUMENTS			
5,752,285	A	5/1998	Bendheim
5,810,407	A	9/1998	Melendez
5,865,490	A	2/1999	Vowell
5,887,921	A	3/1999	Rapaport
D427,031	S *	6/2000	Winchester D8/10
6,109,013	A	8/2000	Scott
D430,463	S	9/2000	Claxton
D434,288	S	11/2000	Todd
D448,258	S	9/2001	Hay
D459,169	S	6/2002	Clivio
D485,476	S	1/2004	Arroyo
D492,885	S *	7/2004	Whitlock D8/10
D495,568	S	9/2004	Register
6,837,528	B1	1/2005	Britt
7,052,058	B2	5/2006	Olinski
D570,654	S	6/2008	Baker
D588,882	S	3/2009	Baker
D593,384	S	6/2009	Deziel
D596,470	S	7/2009	Greenly
D601,867	S	10/2009	Carroll
D602,751	S	10/2009	Boies
D604,128	S *	11/2009	Carroll D8/10
D606,817	S	12/2009	Boies
7,669,506	B2	3/2010	Cox
D626,389	S *	11/2010	Randolph et al. D8/10
D628,452	S *	12/2010	Randolph et al. D8/10
D634,996	S *	3/2011	Randolph et al. D8/10
D648,994	S *	11/2011	Randolph et al. D8/10
D653,510	S *	2/2012	Huff D8/10

* cited by examiner

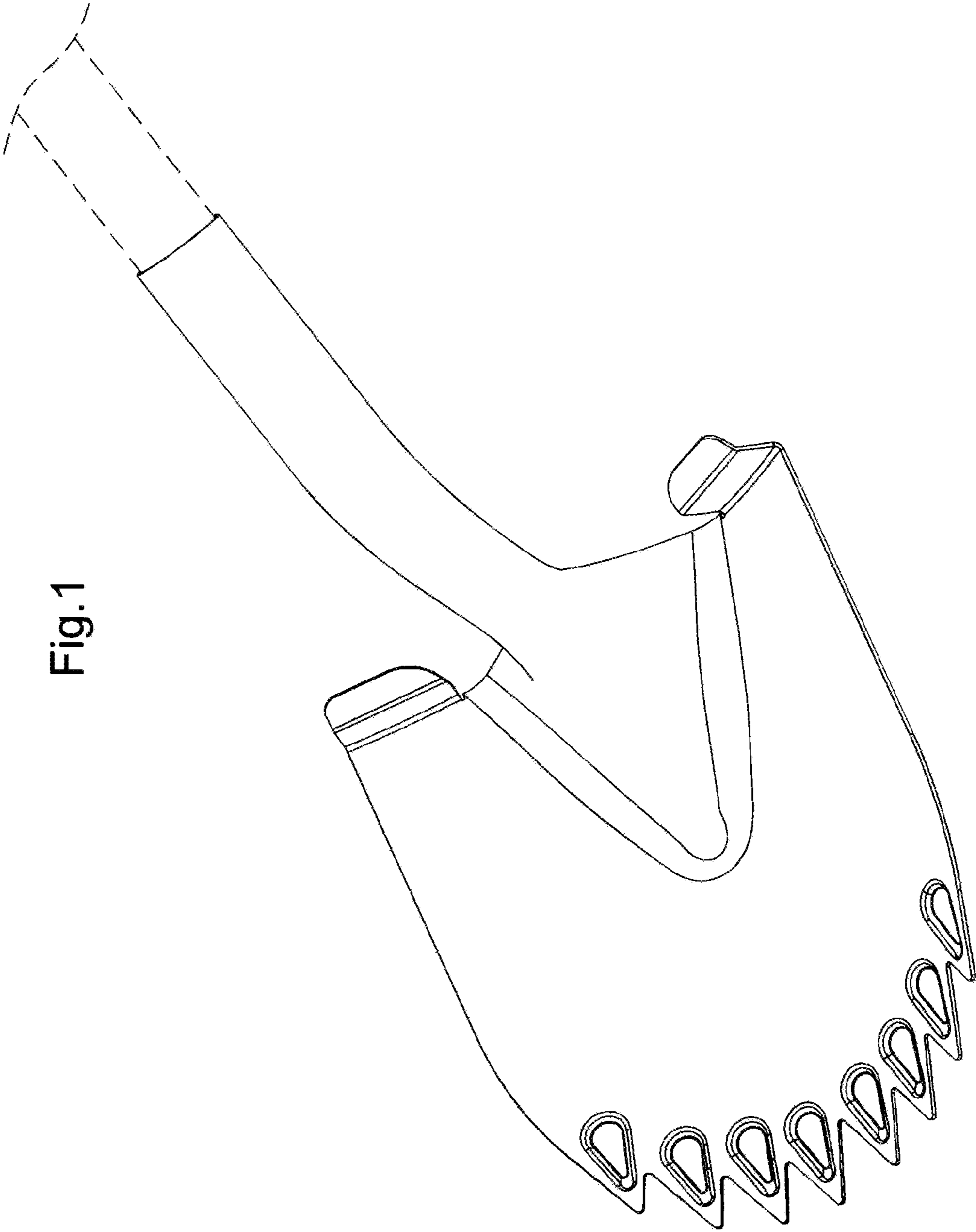


Fig.1

Fig.2

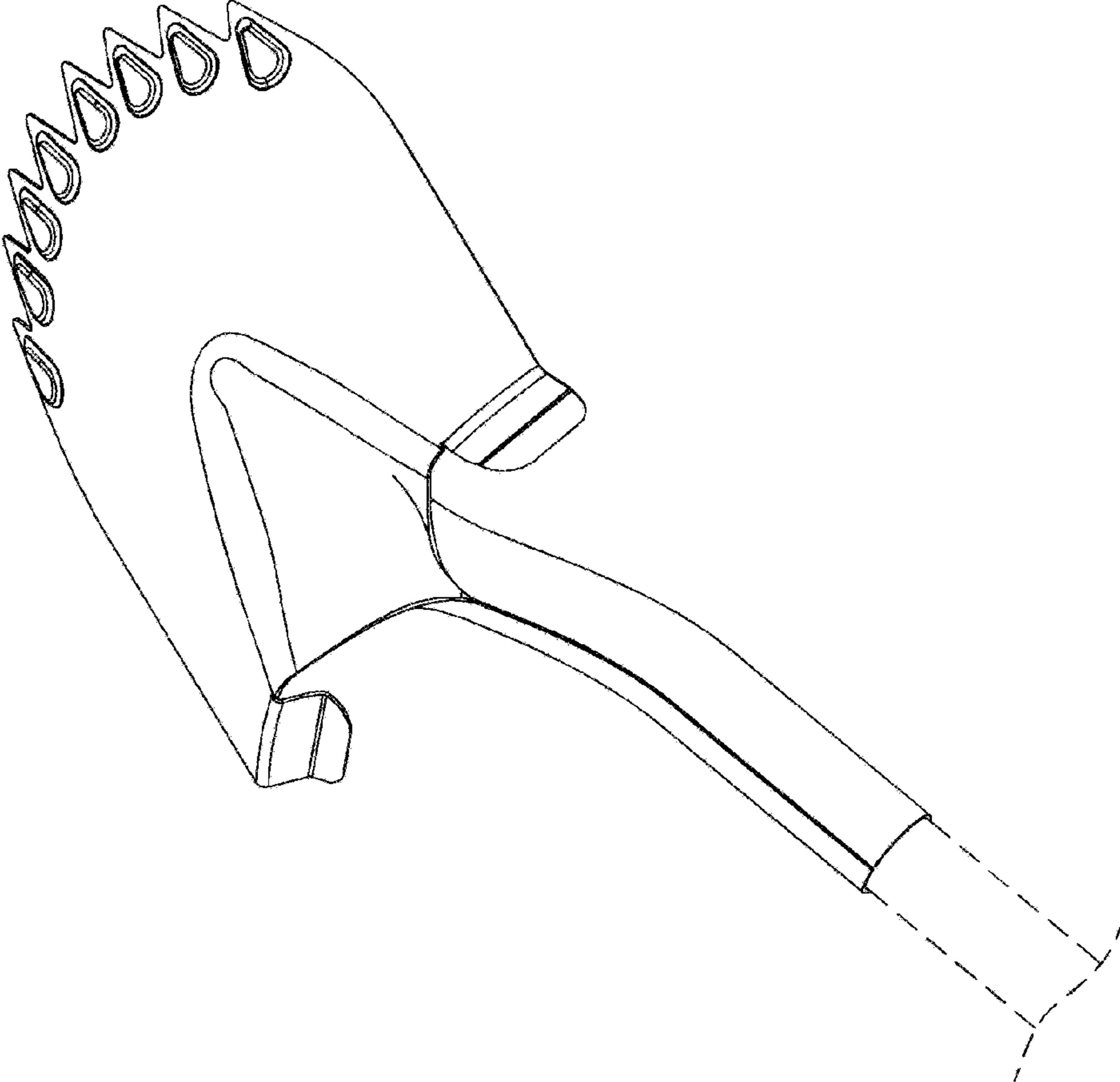


Fig.3

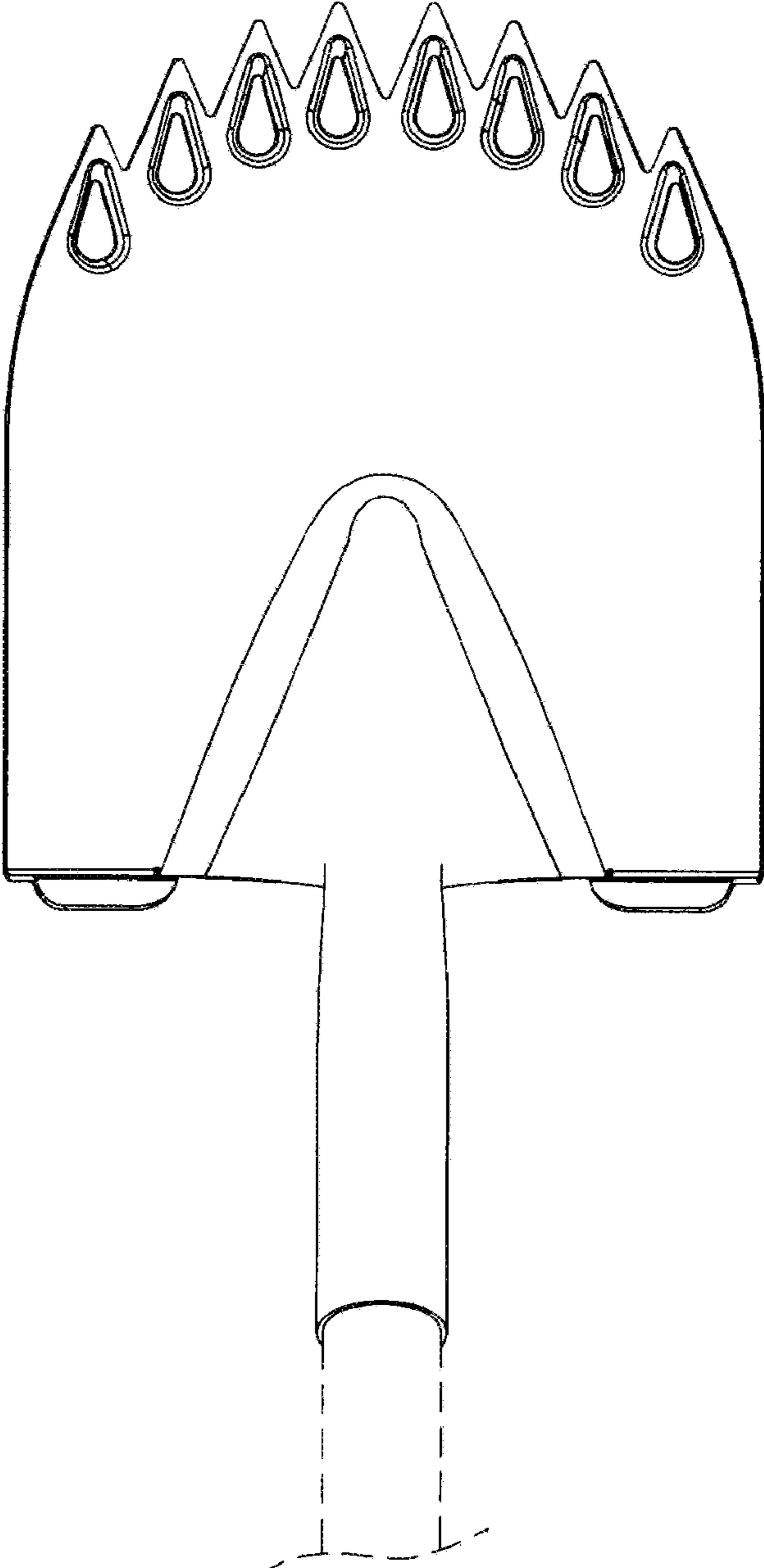


Fig.4

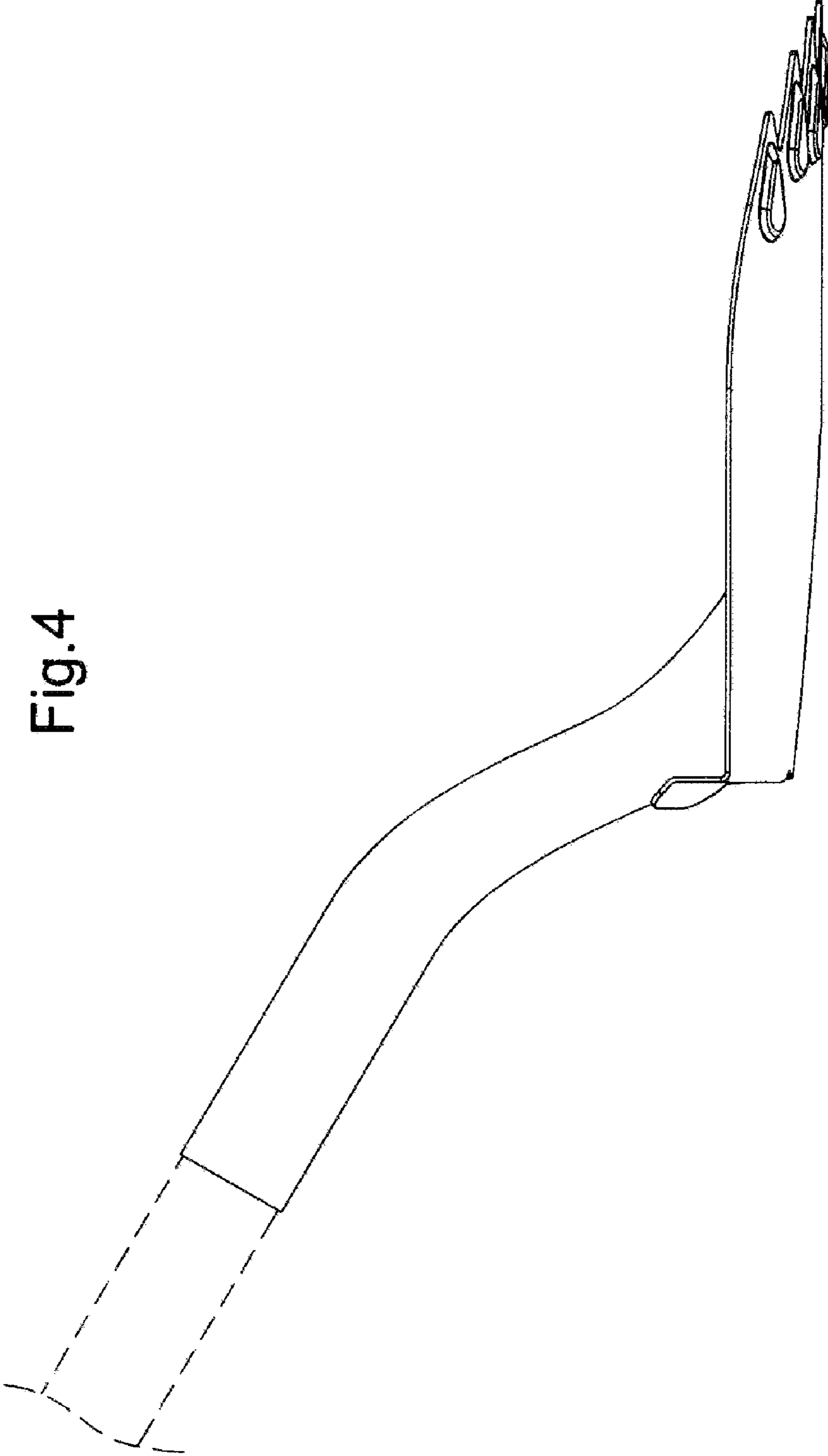


Fig.6

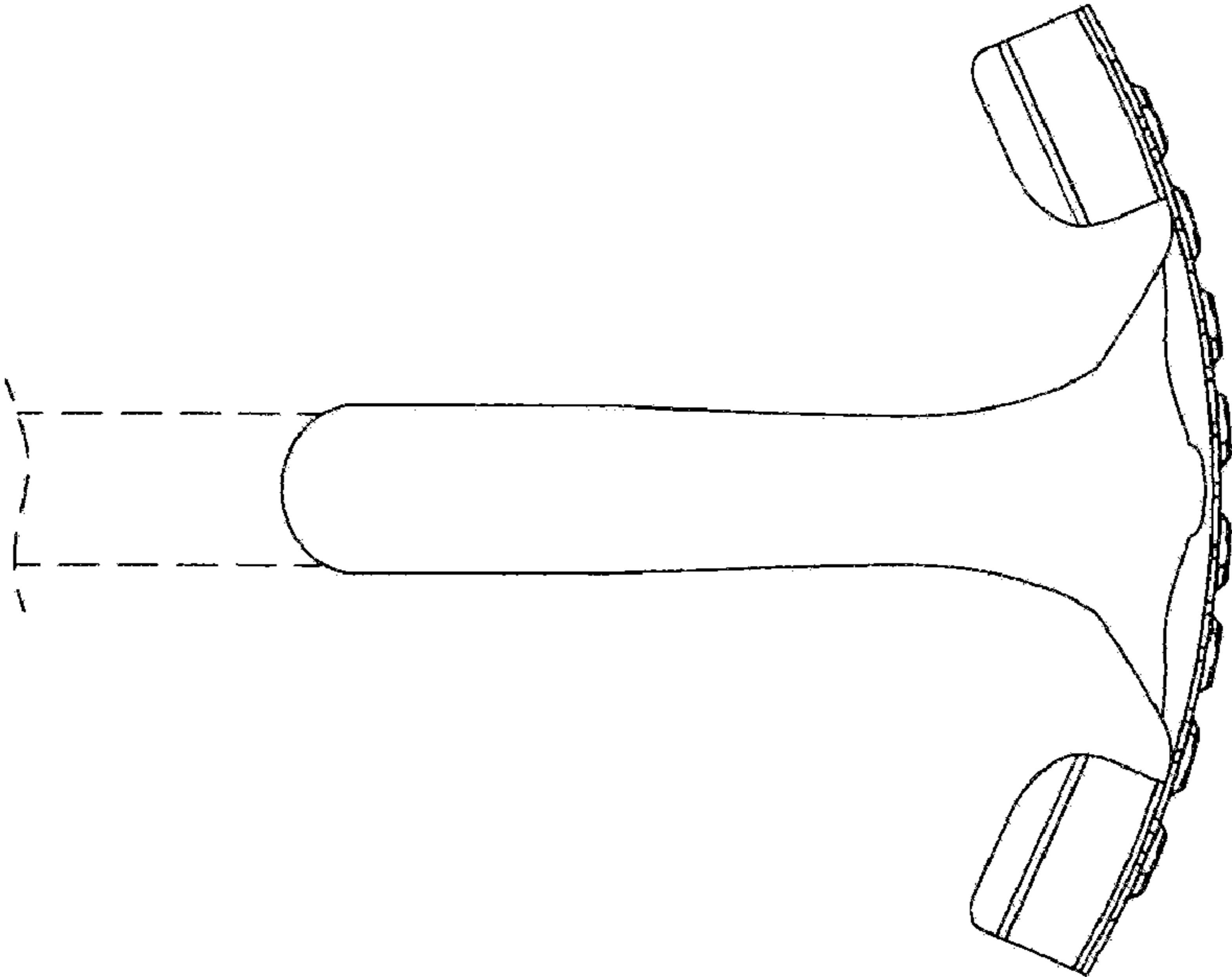
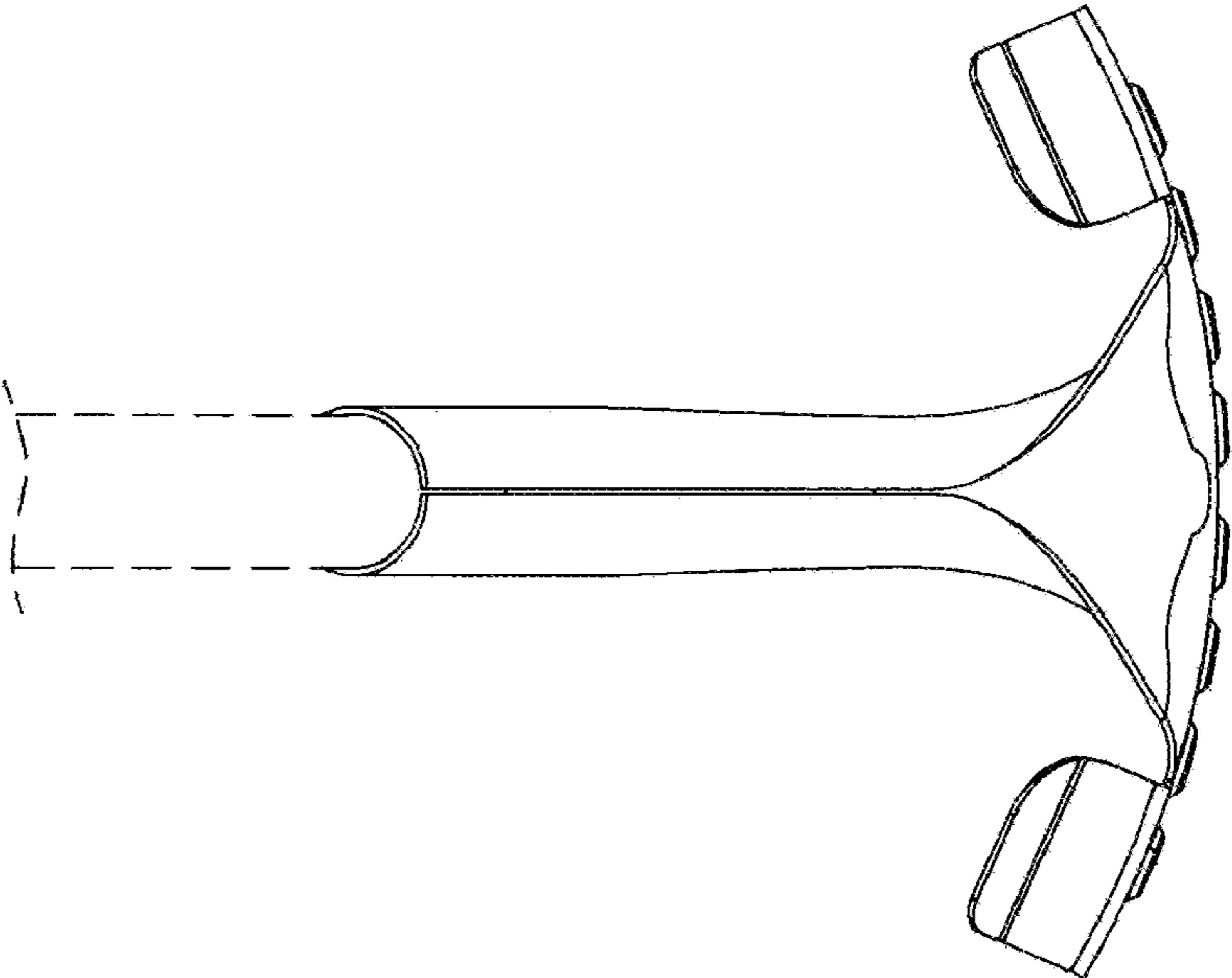


Fig.5



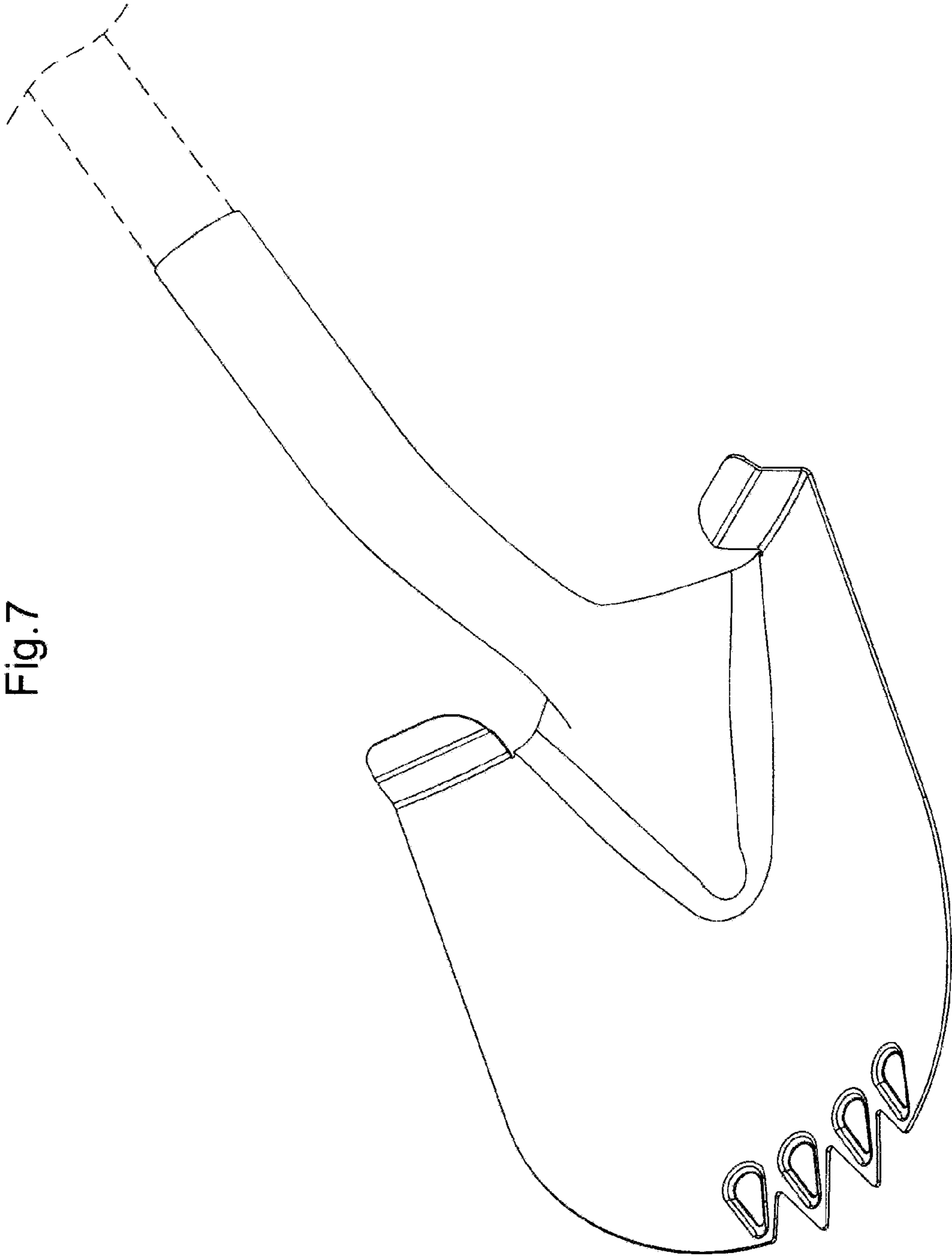


Fig. 7

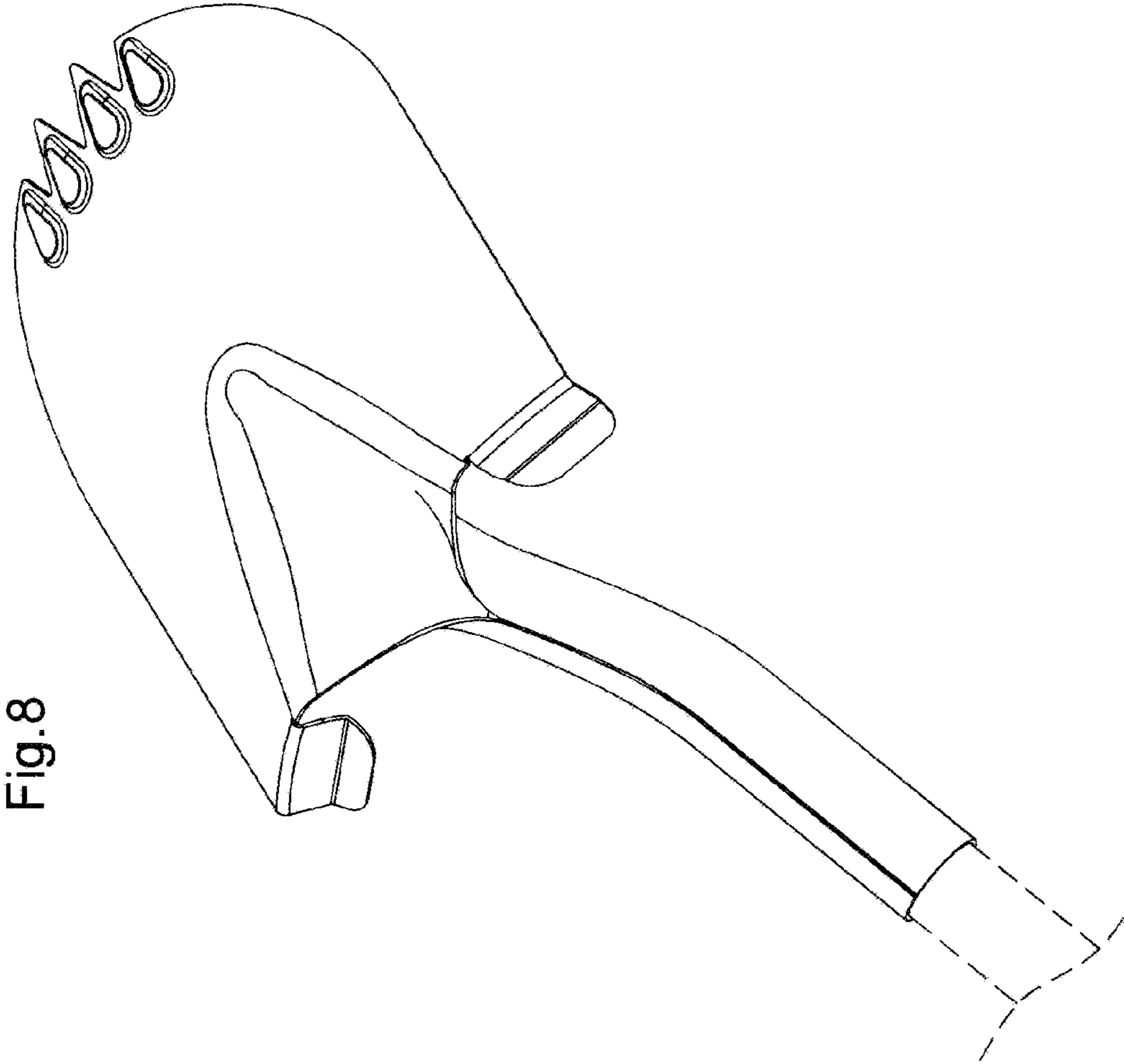
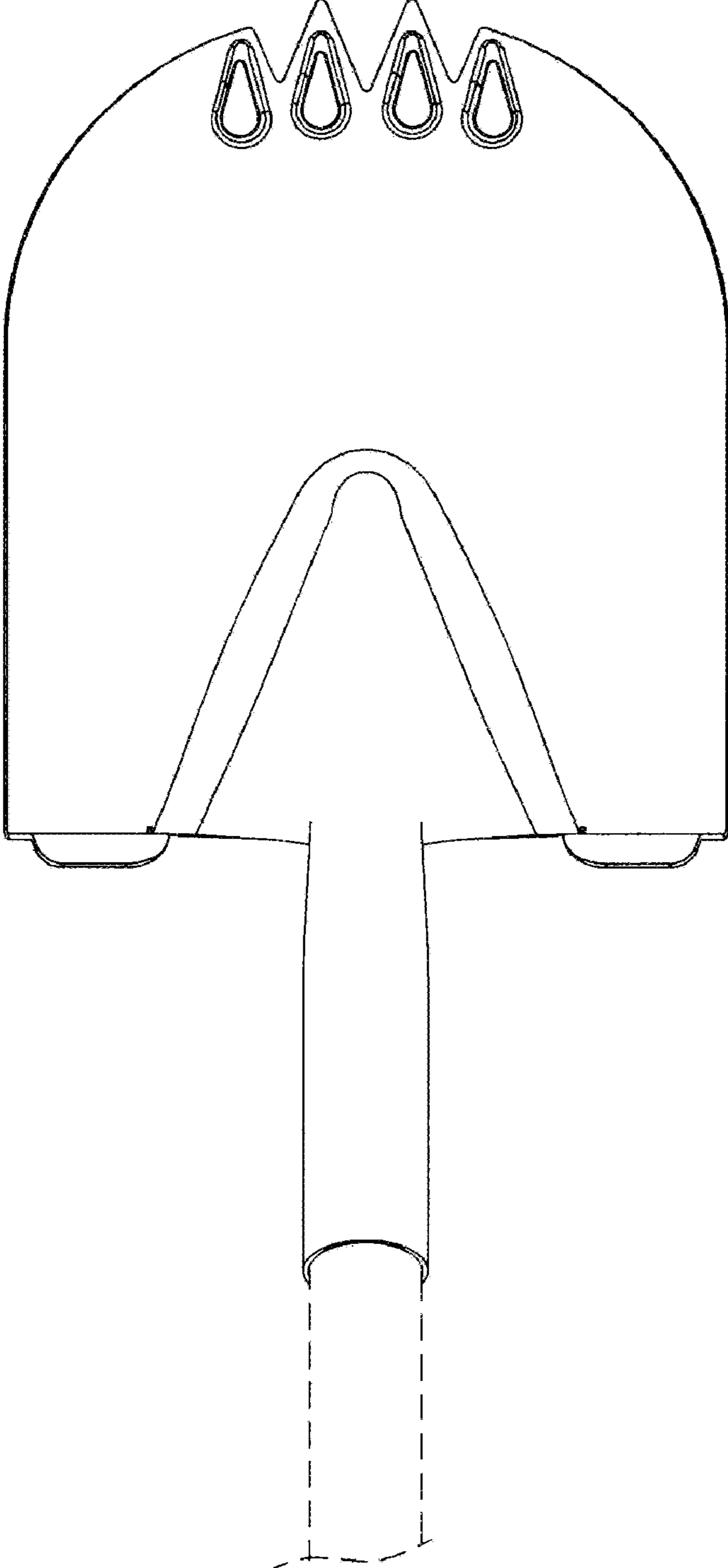


Fig.8

Fig.9



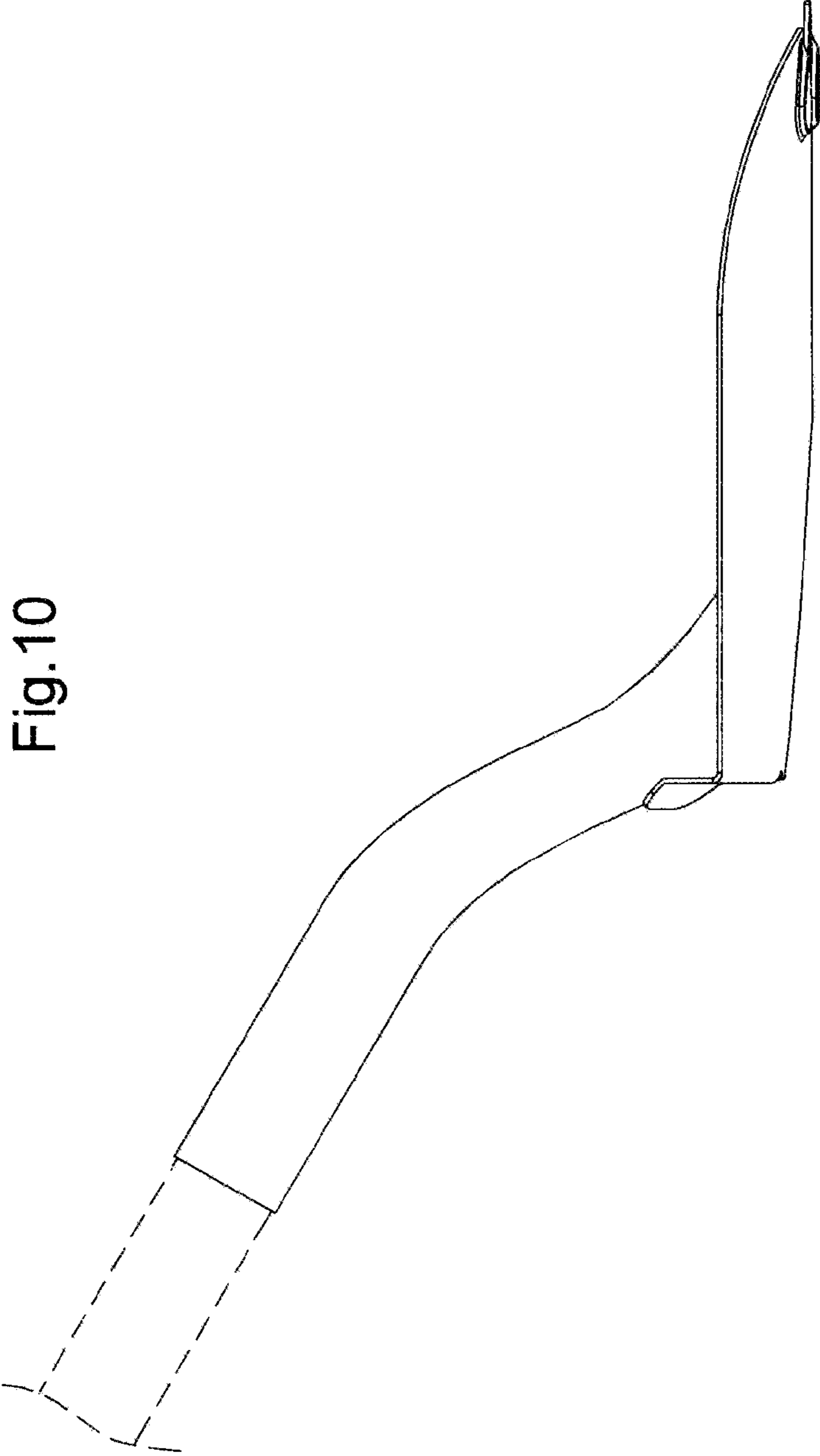


Fig.10

Fig.12

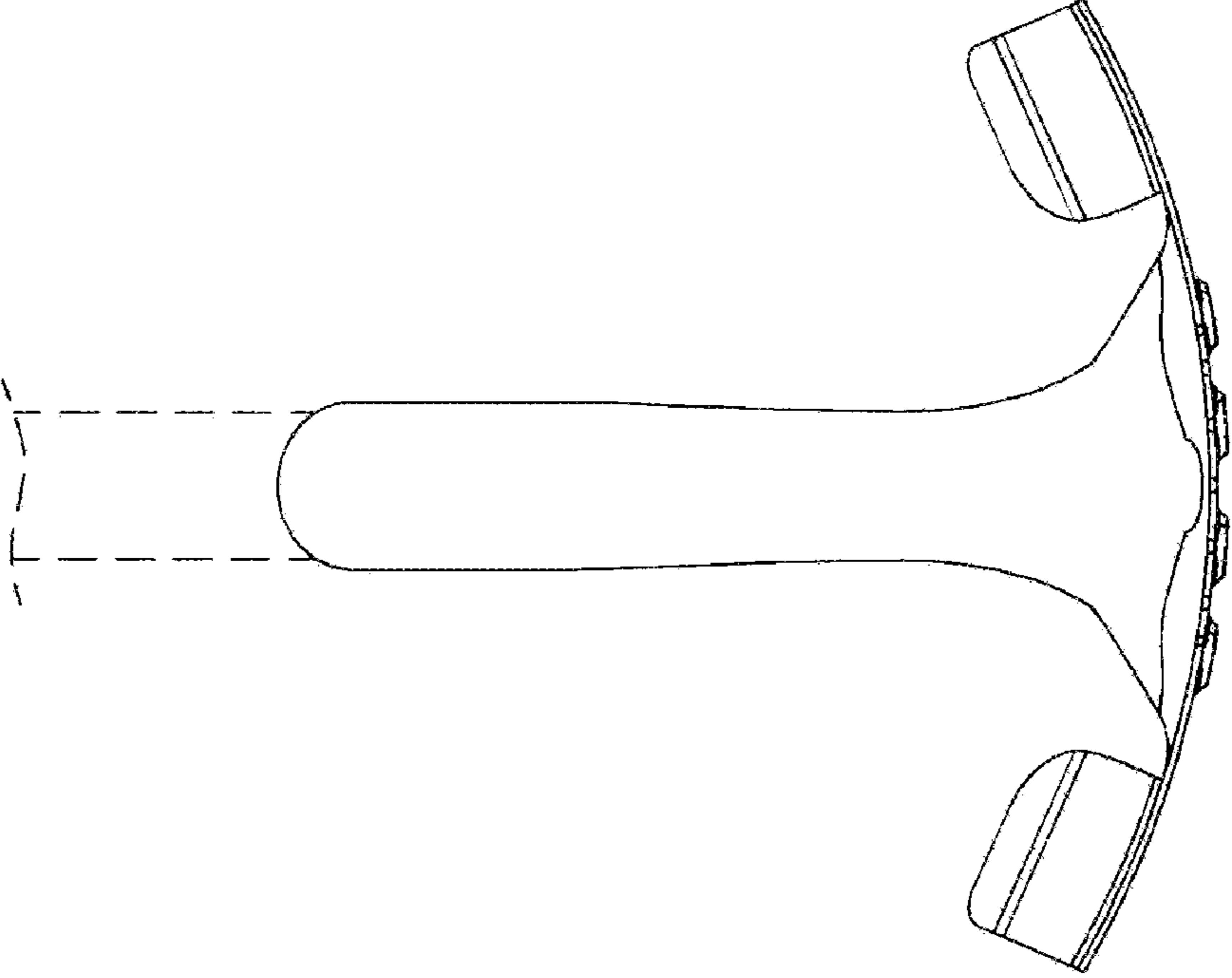


Fig.11

