



US00D673014S

(12) **United States Design Patent**  
**Fisher**

(10) **Patent No.:** **US D673,014 S**

(45) **Date of Patent:** **\*\* Dec. 25, 2012**

(54) **GELATIN SHOOTER DELIVERY DEVICE**

(76) Inventor: **Andrew Fisher**, Davie, FL (US)

(\*\*) Term: **14 Years**

(21) Appl. No.: **29/381,779**

(22) Filed: **Dec. 22, 2010**

(51) **LOC (9) Cl.** ..... **07-99**

(52) **U.S. Cl.** ..... **D7/700; D7/513; D10/46.3**

(58) **Field of Classification Search** ..... D7/700,  
D7/400, 368, 543, 523, 513; D23/200; 141/331,  
141/332, 333, 334, 337, 340, 345, 297-300;  
220/86.2; D10/46.2, 46.3, 119.1, 119.2,  
D10/119.3, 120; D14/208, 187; D30/129,  
D30/132; D27/162, 167, 169, 166; 131/173,  
131/194, 195; D15/150; D24/122; D9/436;  
446/204; D17/10, 11; D21/405, 811

See application file for complete search history.

(56) **References Cited**

**U.S. PATENT DOCUMENTS**

239,613	A *	4/1881	Langrehe	446/209
D22,768	S *	9/1893	Dungan	D10/46.3
1,247,942	A *	11/1917	Enck	446/204
D53,470	S *	6/1919	Sorg et al.	D17/10
D59,625	S *	11/1921	Dodge	D14/208
1,526,030	A *	2/1925	Ward	446/204
D69,905	S *	4/1926	Mussehl	D17/10
1,781,266	A *	11/1930	Bruni	244/117 R
D124,996	S *	2/1941	Curtis	D10/120
D170,930	S *	11/1953	Long	D17/10
D206,943	S *	2/1967	Kinney	D7/513
D233,205	S *	10/1974	Wagner	D10/46.3
D244,787	S *	6/1977	Cohen	D10/119.2
D264,884	S *	6/1982	Irelan	D27/166
D293,216	S *	12/1987	Fernandez	D10/119.2
D322,585	S *	12/1991	Moran	D10/120
D322,819	S *	12/1991	McChesney	D21/405

D327,815	S *	7/1992	van Schijndel	D7/513
5,160,815	A *	11/1992	Prater	181/182
D350,904	S *	9/1994	Cary	D10/46.3
5,631,450	A *	5/1997	Itakura	181/189
D404,674	S *	1/1999	Chen	D10/120
D441,033	S *	4/2001	Li	D21/405
D657,637	S *	4/2012	Gascoine	D7/700
2012/0111450	A1 *	5/2012	Claps	141/297

**OTHER PUBLICATIONS**

No sex on the beach and no 'Sex on the Beach', Baltimore Sun, by Michelle Deal-Zimmerman, Jul. 20, 2011, [online], [site visited Mar. 10, 2012]. Available from Internet, <[http://articles.baltimoresun.com/2011-07-20/travel/bal-ocean-city-md-alcohol-on-the-beach-20110720\\_1\\_alcoholic-happy-hour-ocean-city](http://articles.baltimoresun.com/2011-07-20/travel/bal-ocean-city-md-alcohol-on-the-beach-20110720_1_alcoholic-happy-hour-ocean-city)>.\*

Shotgun Jello Shooters, Bar Supplies.com, © 2012[online], [site visited May 16, 2012]. Available from Internet, <<http://collegebarstore.com/shotgun-jello-shooters-p-423.html>>.\*

Double Header Beer Funnel, College Bar Store.com, © 2005-2012[online], [site visited May 16, 2012]. Available from Internet, <<http://barsupplies.com/double-header-beer-funnel-p-5687.html?osCsid=90bjmumu155eg5nhlmglb42106>>.\*

\* cited by examiner

*Primary Examiner* — Jeffrey D Asch

(74) *Attorney, Agent, or Firm* — Malloy & Malloy, P.L.

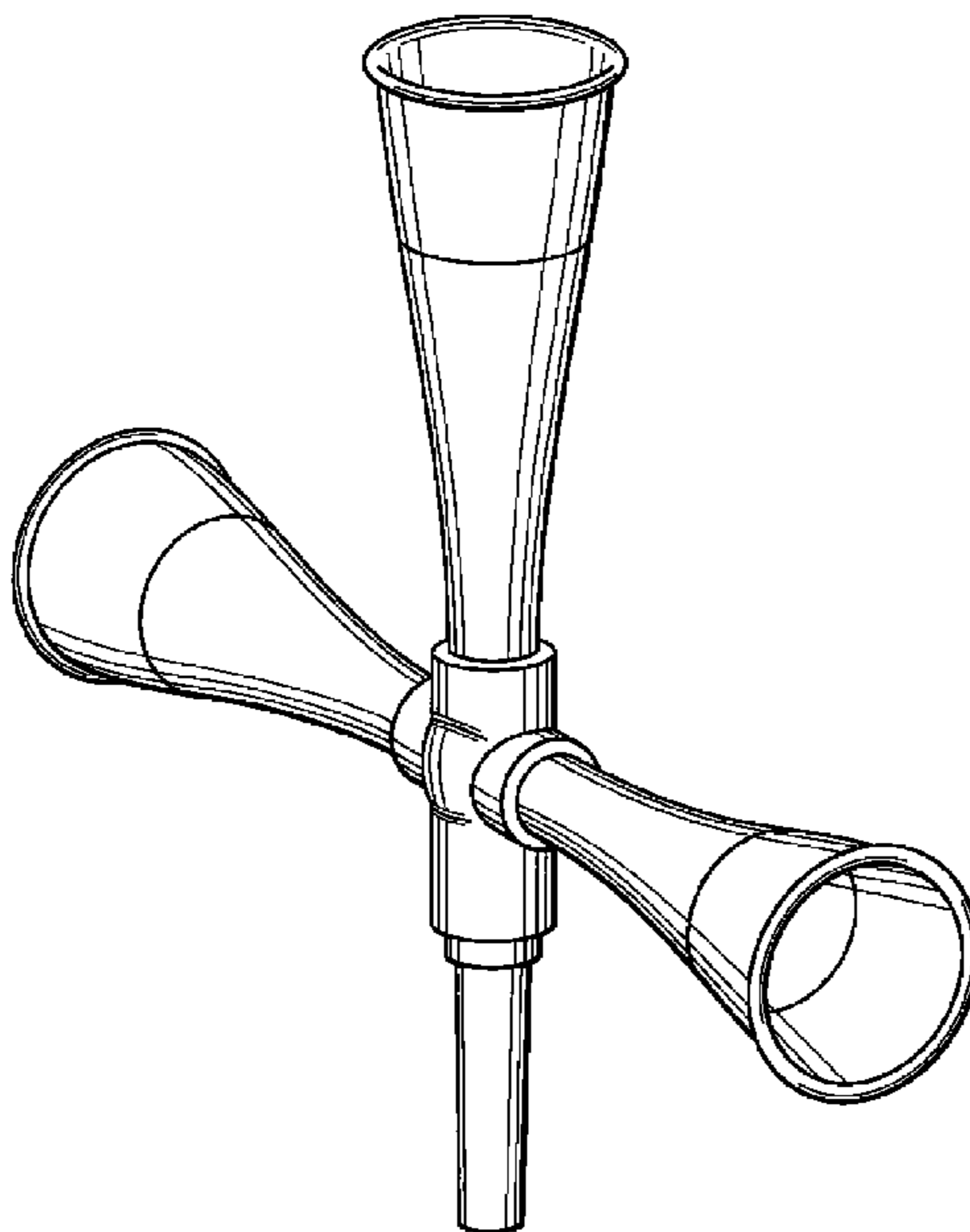
(57) **CLAIM**

The ornamental design for a gelatin shooter delivery device, as shown and described.

**DESCRIPTION**

FIG. 1 is a front perspective view illustrating my design for a gelatin shooter delivery device;  
FIG. 2 is a front elevational view thereof;  
FIG. 3 is a rear elevational view thereof; and,  
FIG. 4 is a bottom plan view thereof.

**1 Claim, 4 Drawing Sheets**



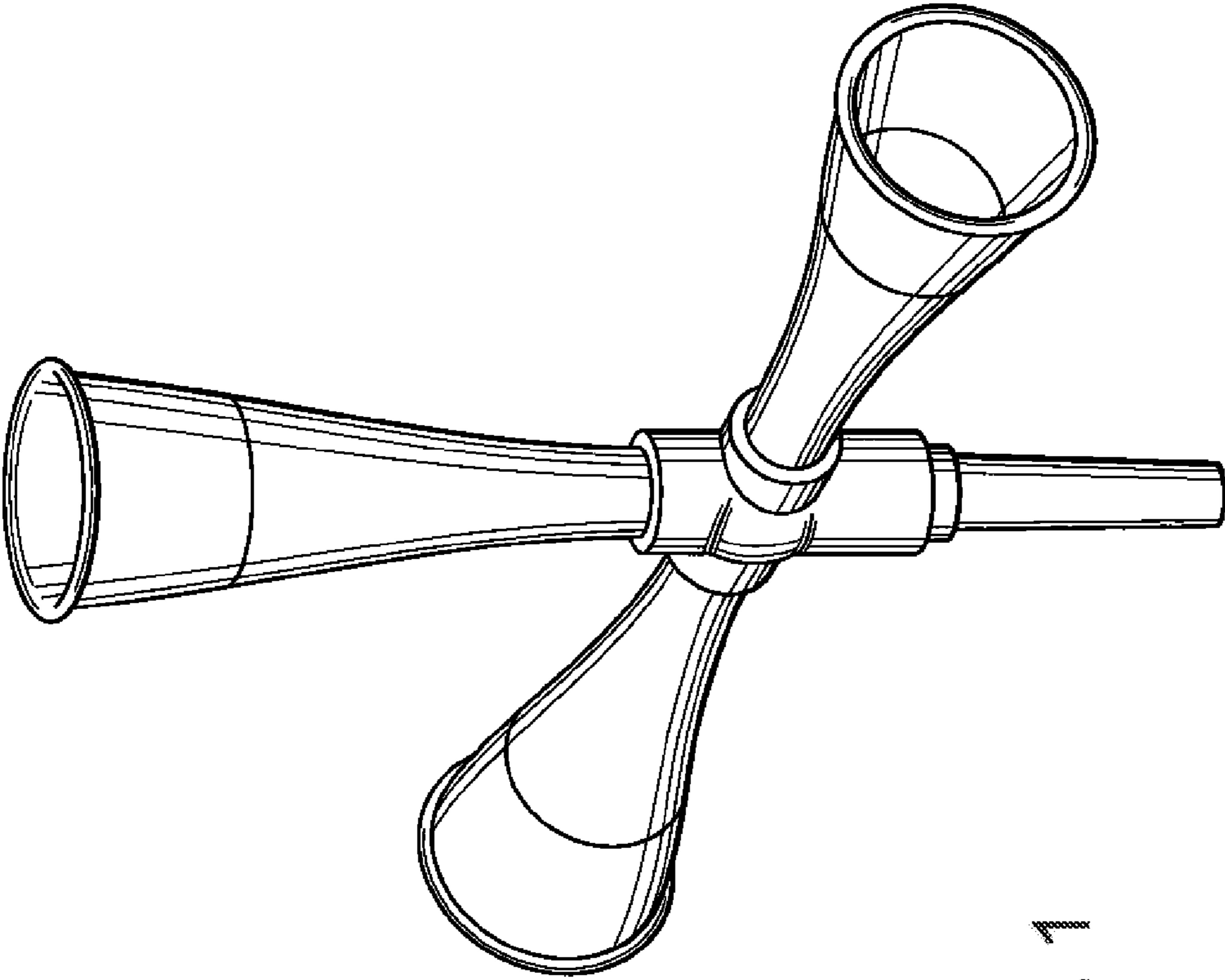


FIG. 1

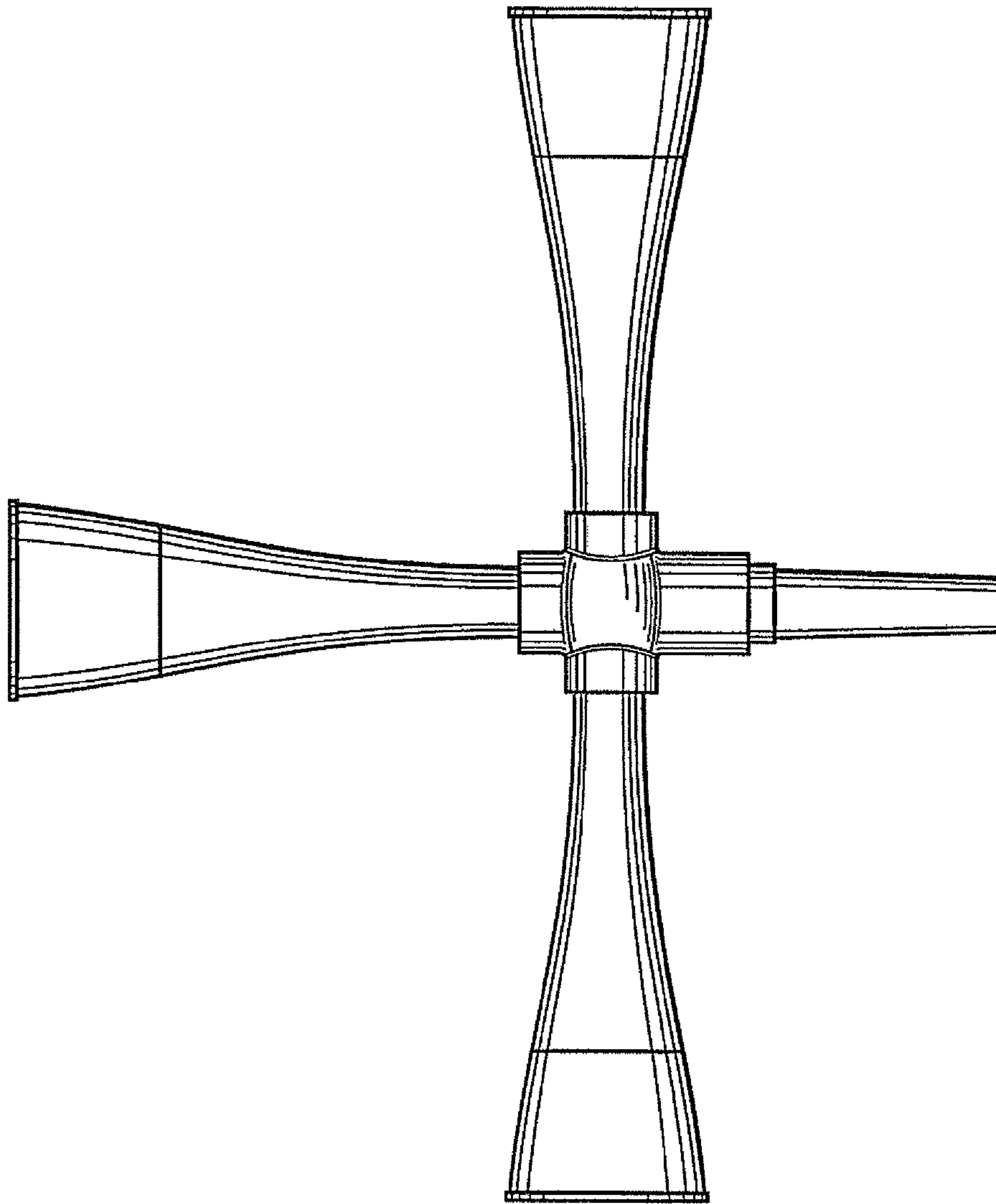


FIG. 2

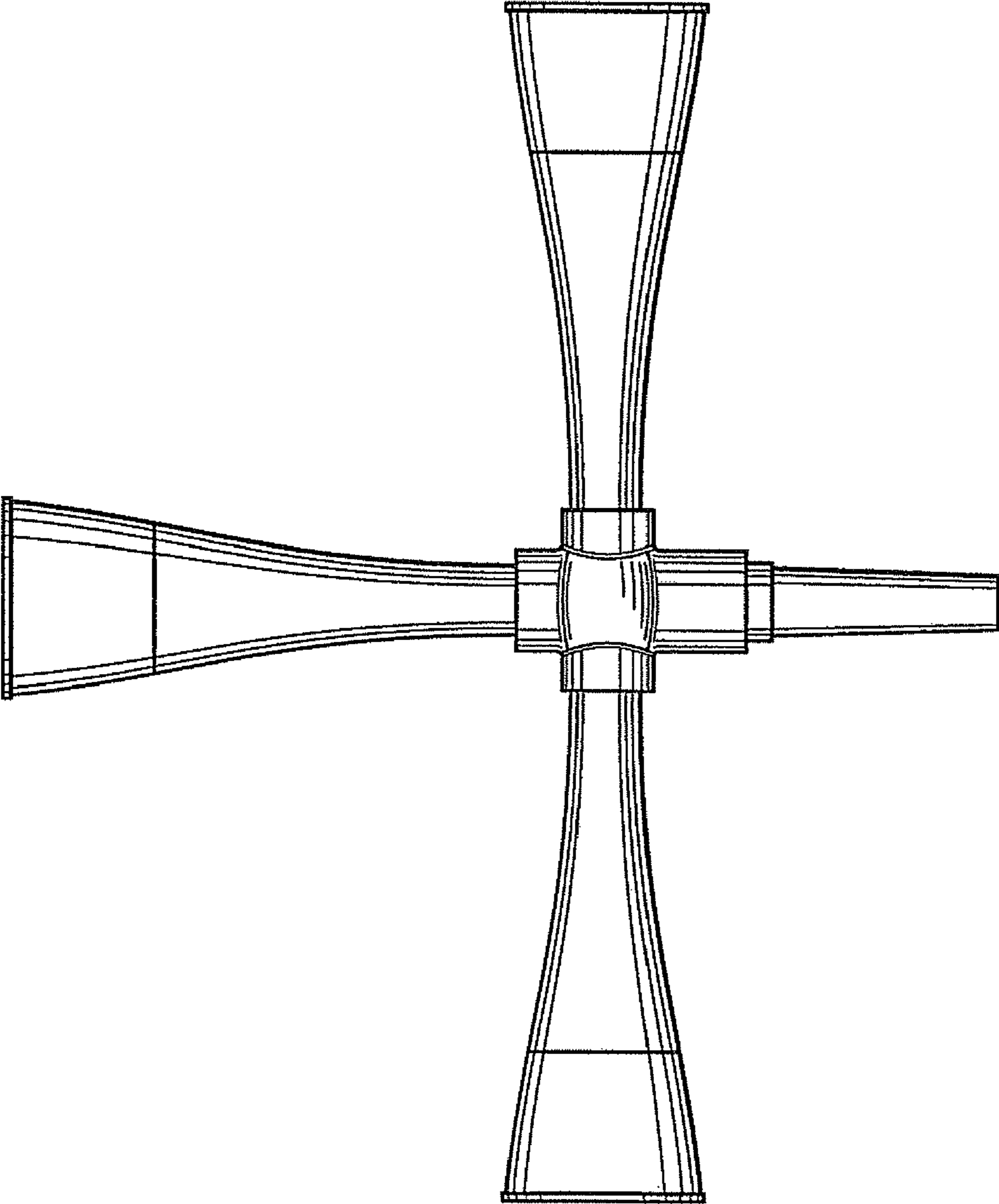


FIG. 3

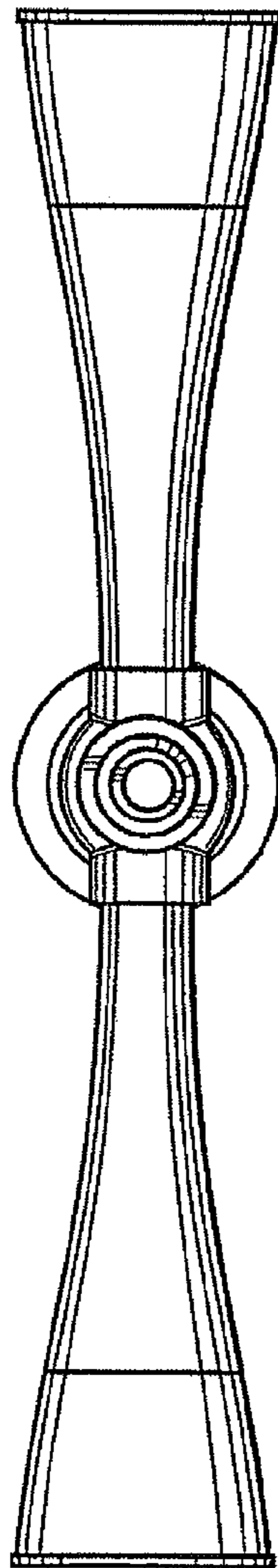


FIG. 4