



US00D673013S

(12) **United States Design Patent**  
**Kent et al.**

(10) **Patent No.:** **US D673,013 S**

(45) **Date of Patent:** **\*\* Dec. 25, 2012**

(54) **NUT CHOPPER**

(75) Inventors: **Joseph Kent**, Seattle, WA (US); **Sascha Kaposi**, Tacoma, WA (US)

(73) Assignee: **Progressive International Corporation**, Kent, WA (US)

(\*\*) Term: **14 Years**

(21) Appl. No.: **29/408,600**

(22) Filed: **Dec. 14, 2011**

(51) **LOC (9) Cl.** ..... **07-04**

(52) **U.S. Cl.** ..... **D7/693; D7/672**

(58) **Field of Classification Search** ..... D7/693,  
D7/669, 368, 372-374, 679, 383, 384; 241/88.4,  
241/88.5, 168, 169, 169.1, 273.2, 262, 286  
See application file for complete search history.

(56) **References Cited**

U.S. PATENT DOCUMENTS

D196,093 S \* 8/1963 Ostrowsky ..... D7/372  
3,357,468 A 12/1967 Moller

3,527,277 A \* 9/1970 Woods ..... 241/88.4  
3,907,215 A \* 9/1975 Mantelet ..... 241/88.4  
4,155,843 A \* 5/1979 Christianson ..... 241/169.1  
D424,889 S 5/2000 Yip  
D502,062 S \* 2/2005 Kaposi ..... D7/693

\* cited by examiner

*Primary Examiner* — Terry Wallace

(74) *Attorney, Agent, or Firm* — Lowe Graham Jones PLLC

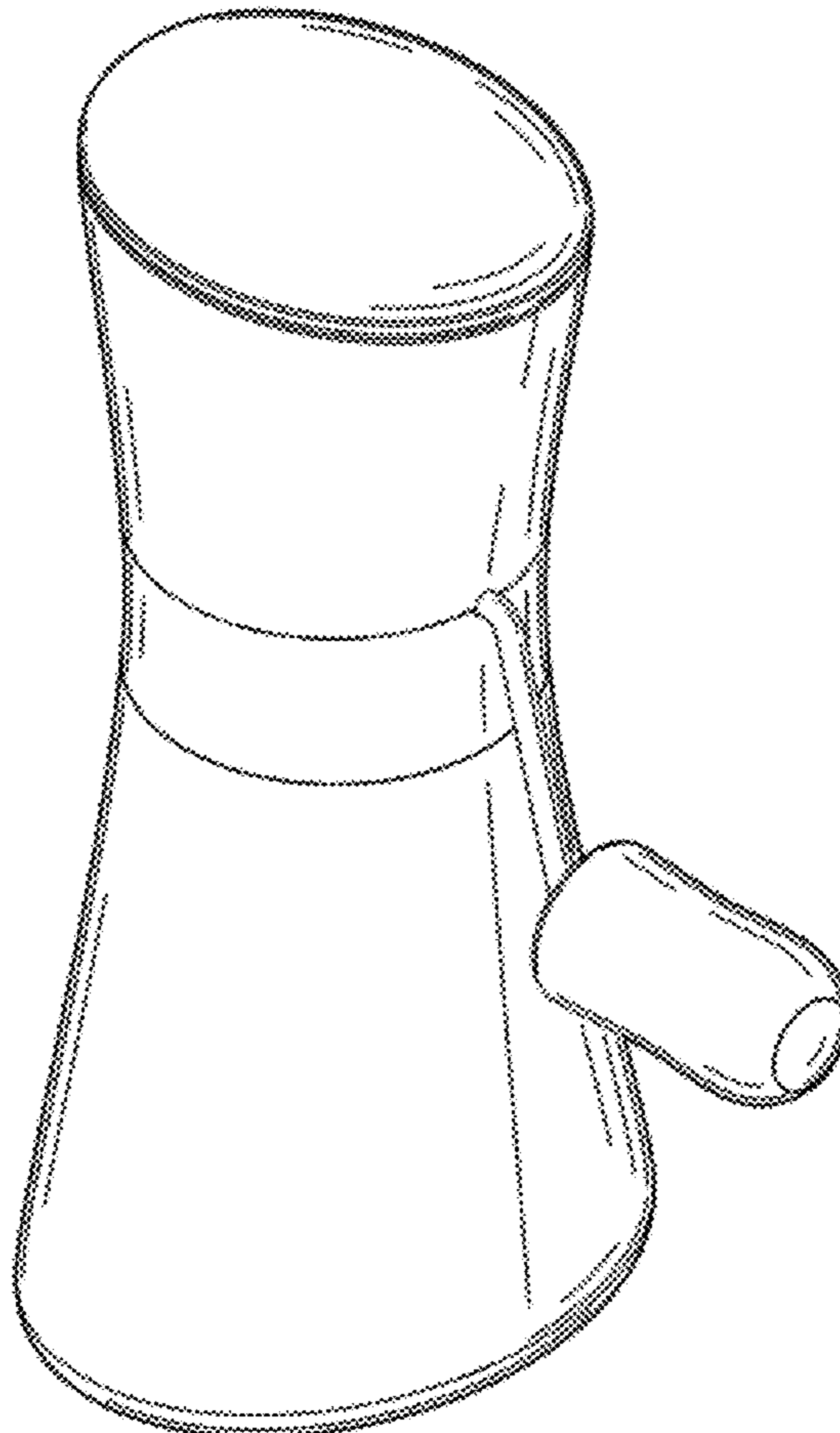
(57) **CLAIM**

We claim the ornamental design for the nut chopper, as shown and describe.

**DESCRIPTION**

FIG. 1 is a perspective view of a nut chopper, showing our new design;  
FIG. 2 is a left side view of the nut chopper, the right side view being a mirror image;  
FIG. 3 is a front view of the nut chopper;  
FIG. 4 is a back view of the nut chopper;  
FIG. 5 is a top view of the nut chopper; and,  
FIG. 6 is a bottom view of the nut chopper.

**1 Claim, 4 Drawing Sheets**



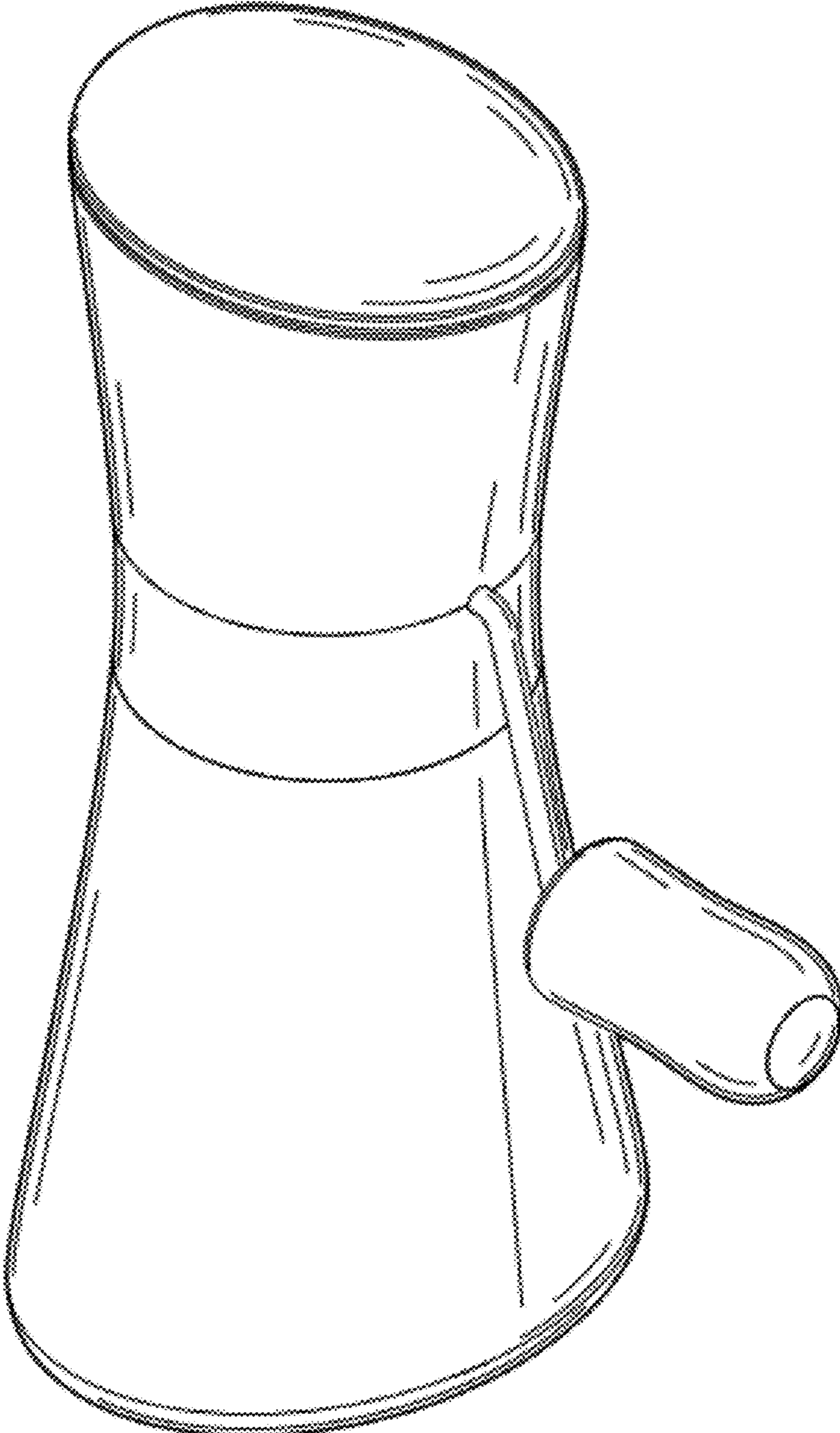


FIG.1

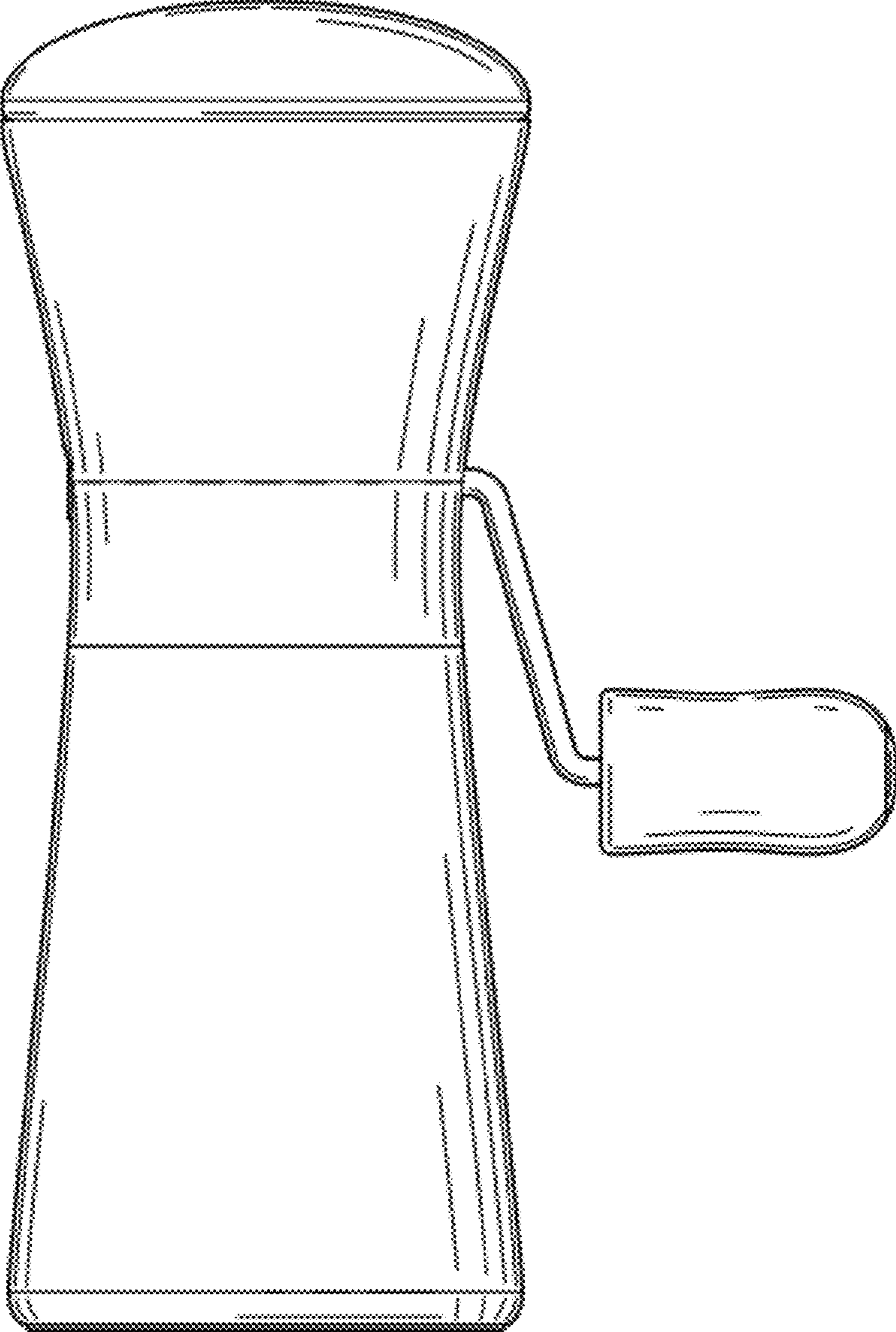


FIG. 2

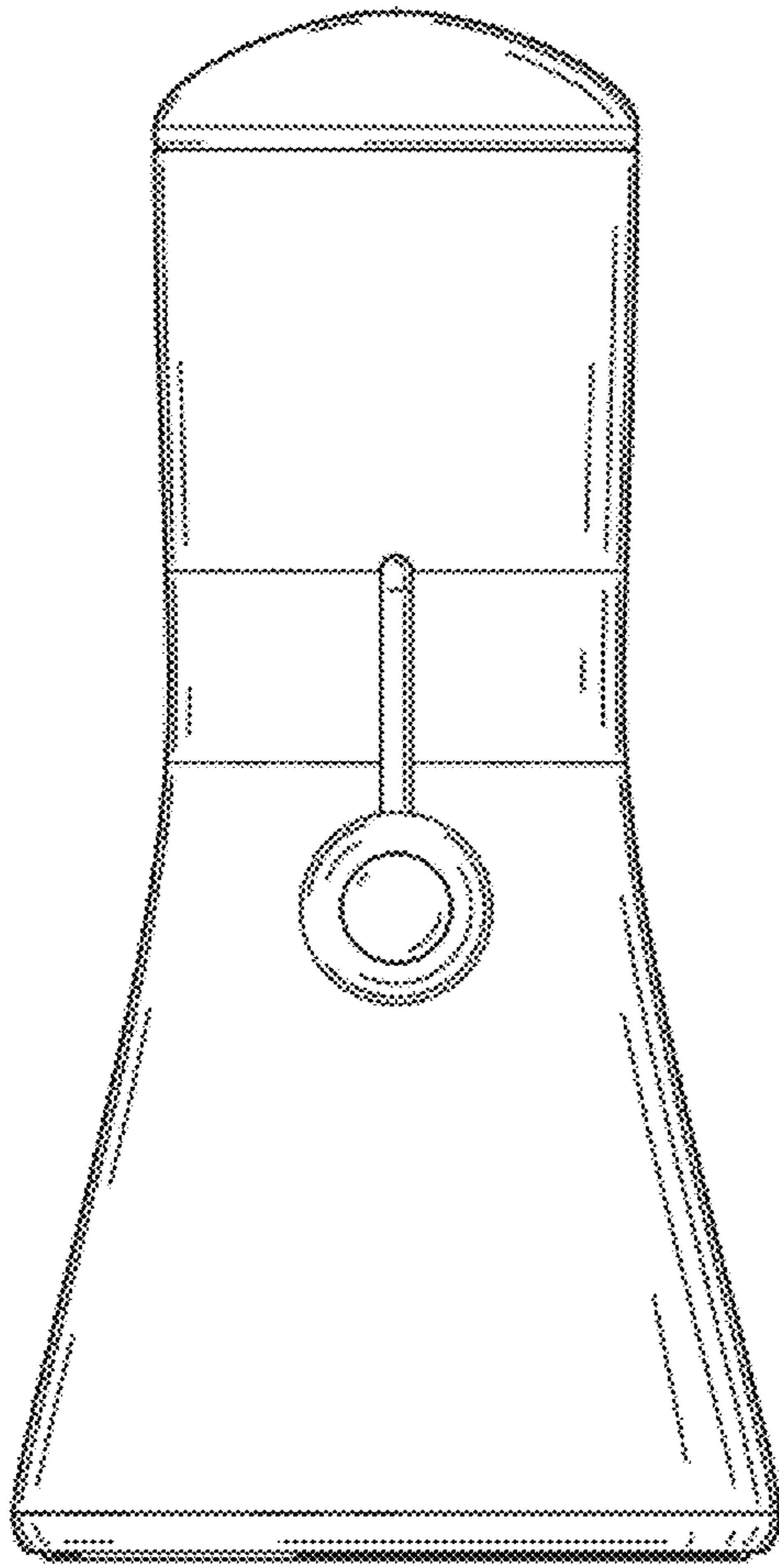


FIG. 3

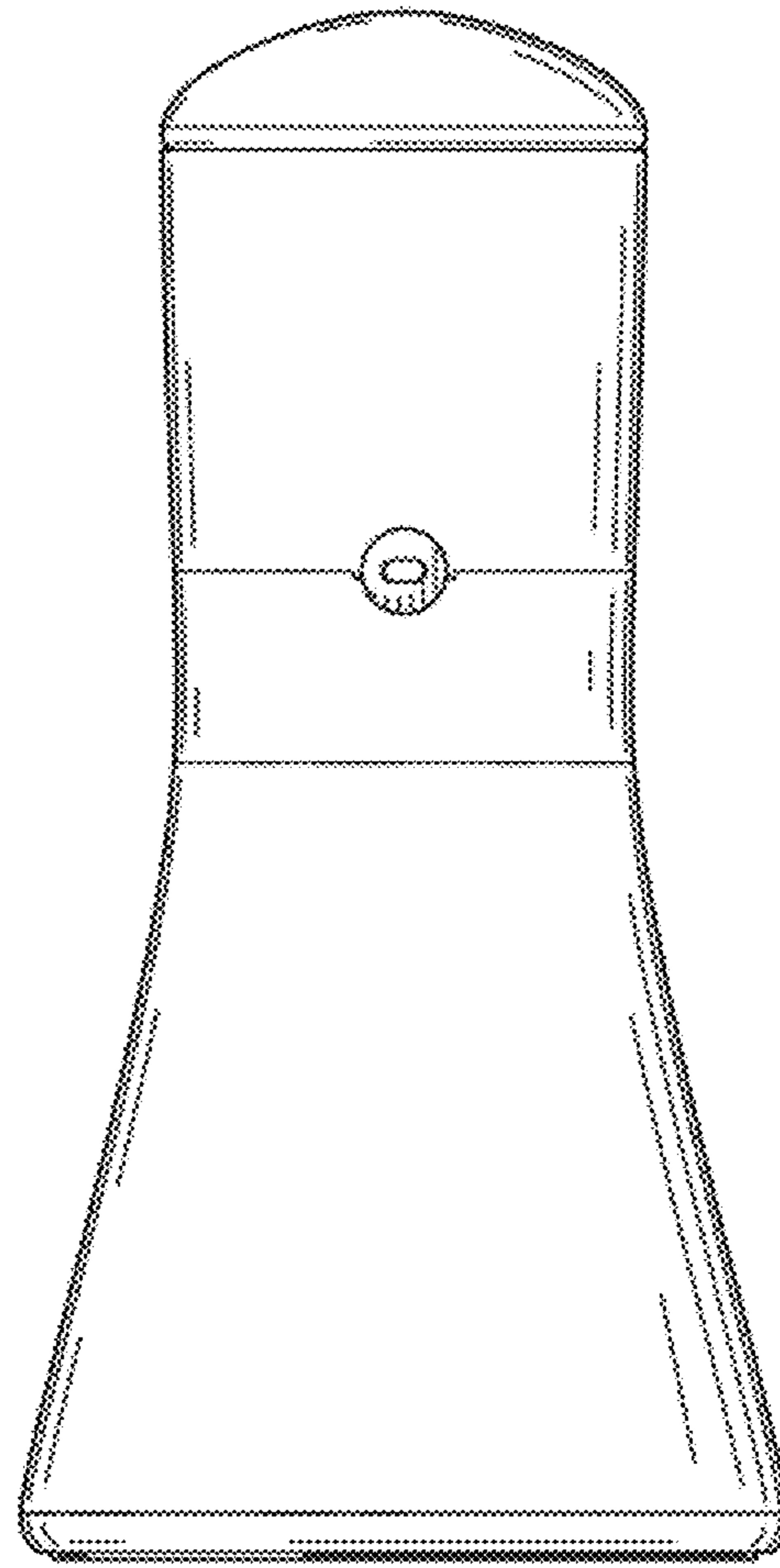


FIG. 4

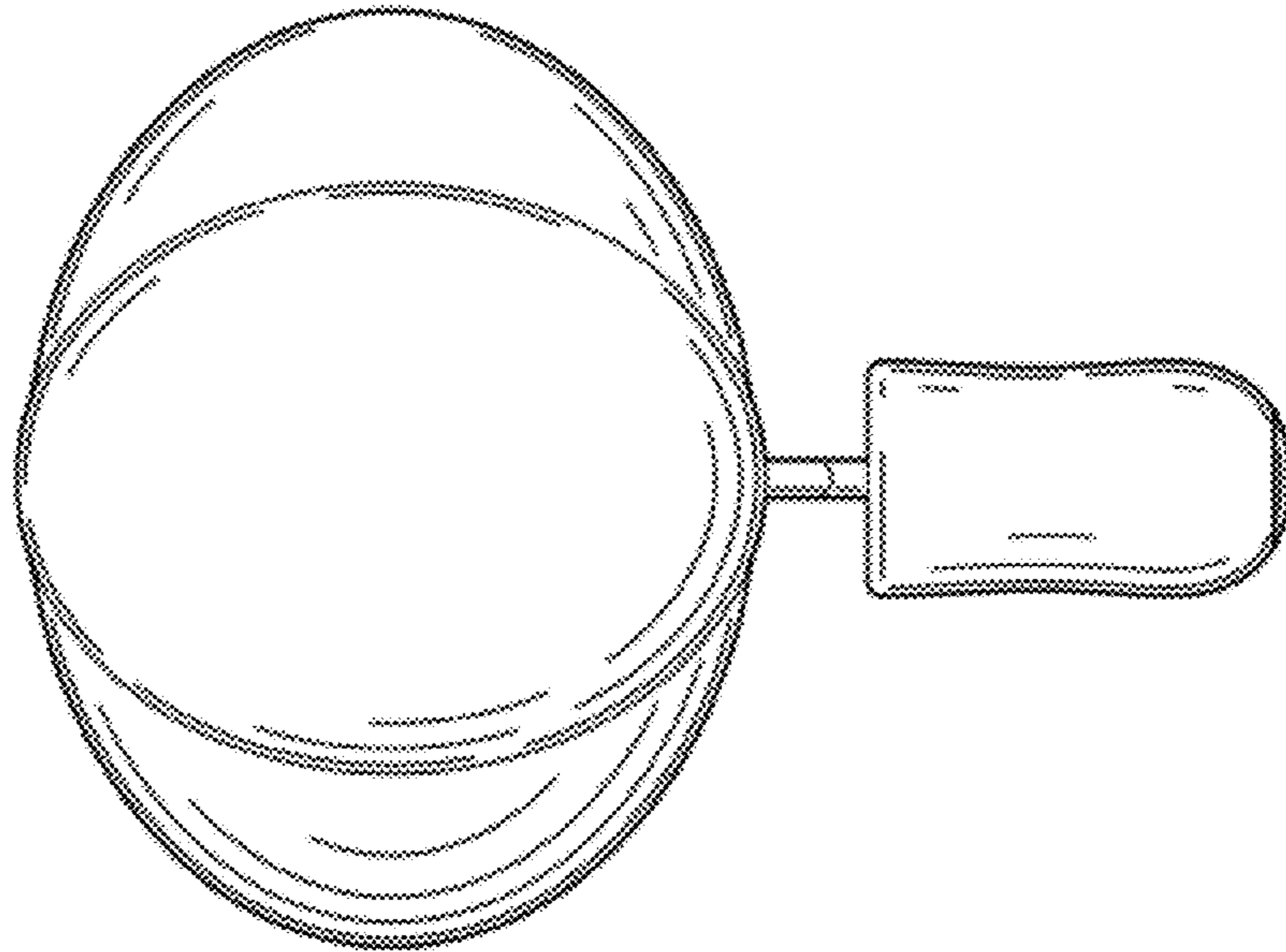


FIG. 5

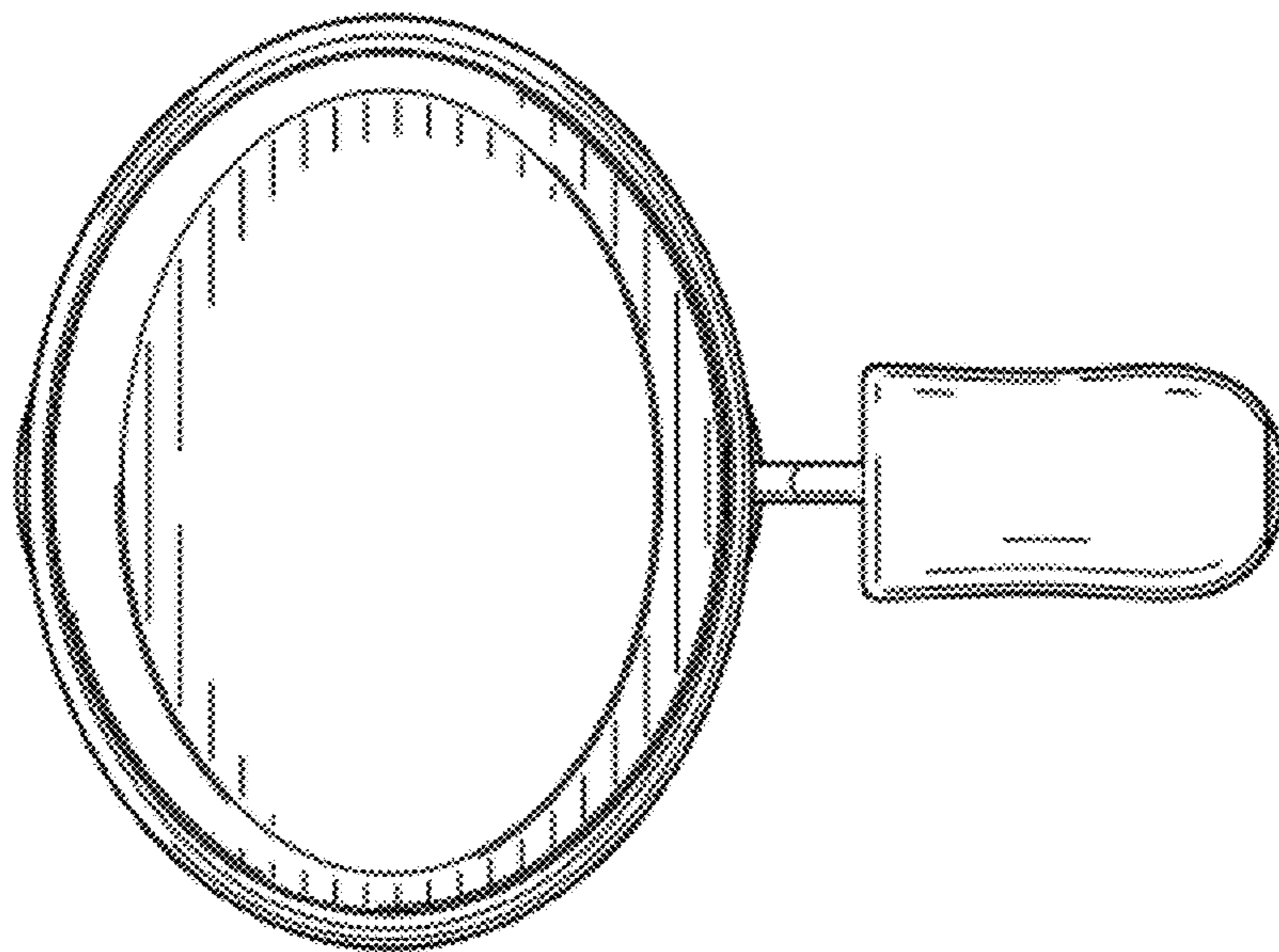


FIG. 6