



US00D673012S

(12) **United States Design Patent**
 Holding et al.

(10) **Patent No.:** **US D673,012 S**

(45) **Date of Patent:** **** Dec. 25, 2012**

(54) **JUMBO TURNER**

(75) Inventors: **Bill Holding**, London (GB); **Ben Cox**,
London (GB)

(73) Assignee: **Joseph Joseph Ltd.**, London (GB)

(**) Term: **14 Years**

(21) Appl. No.: **29/405,696**

(22) Filed: **Nov. 4, 2011**

(30) **Foreign Application Priority Data**

May 5, 2011 (EM) 001859562-0004

(51) **LOC (9) Cl.** **07-02**

(52) **U.S. Cl.** **D7/692**

(58) **Field of Classification Search** D7/642,
D7/653, 635, 368, 669, 688, 689, 690, 691,
D7/692, 401.2, 412, 662, 663, 664, 649, 650;
D8/14, 16, 19, 47; D32/40, 43, 46; 15/236.01,
15/236.07, 236.08; 294/7, 8; 30/141-143,
30/147-150, 324-328

See application file for complete search history.

(56) **References Cited**

U.S. PATENT DOCUMENTS

D54,164 S * 11/1919 Hamill D10/46.2
2,526,275 A * 10/1950 Roberts 294/7
3,004,341 A * 10/1961 Carroll et al. 30/325
3,092,411 A * 6/1963 Hardy 294/7
D268,243 S * 3/1983 Morin D7/692
D293,295 S * 12/1987 Johnson D7/688
4,711,029 A * 12/1987 Somerset 30/148
D306,115 S * 2/1990 Zimmerman D7/669

D309,700 S * 8/1990 Goetz D7/692
4,969,268 A * 11/1990 Kelly, III 30/322
D312,561 S * 12/1990 Skerker et al. D7/696
D316,213 S * 4/1991 Skerker et al. D7/696
5,014,434 A * 5/1991 Skerker et al. 30/345
D318,989 S * 8/1991 Risner D7/688
D327,204 S * 6/1992 Hunt D7/692
D396,389 S * 7/1998 Durbin D7/692
D427,858 S * 7/2000 Zemel D7/692
D487,679 S * 3/2004 Overthun et al. D7/692
D541,602 S * 5/2007 Yu D7/692
D545,645 S * 7/2007 Lion et al. D7/692
D588,420 S * 3/2009 Waldman et al. D7/692
D619,429 S * 7/2010 Benfatti D7/669
D627,200 S * 11/2010 Rothman D7/692
D632,143 S * 2/2011 Geborek D7/692
D651,870 S * 1/2012 Romanko D7/692

* cited by examiner

Primary Examiner — Elizabeth J Oswecki

(74) *Attorney, Agent, or Firm* — Millen, White, Zelano &
Branigan, P.C.

(57) **CLAIM**

The ornamental design for a jumbo turner, as shown and
described.

DESCRIPTION

FIG. 1 is a top plan view of a jumbo turner showing our new
design;

FIG. 2 is a bottom plan view thereof;

FIG. 3 is a back view thereof;

FIG. 4 is a front view thereof; and,

FIG. 5 is a side view thereof.

All surfaces not shown form no part of the claimed design.

1 Claim, 5 Drawing Sheets

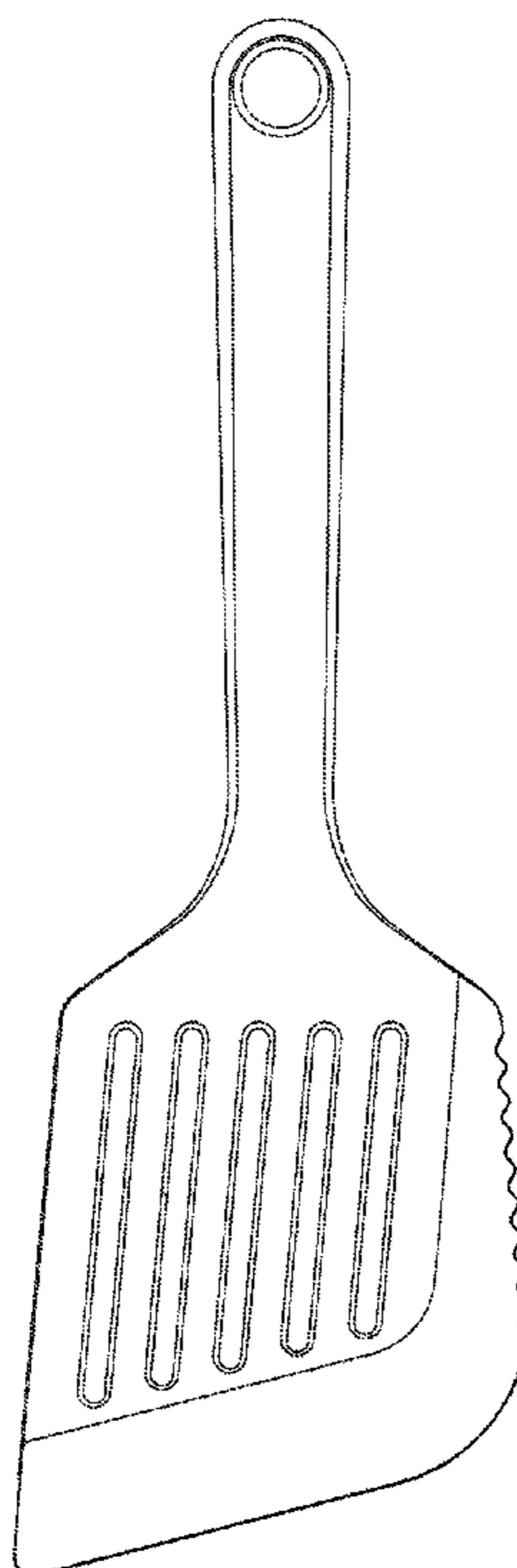
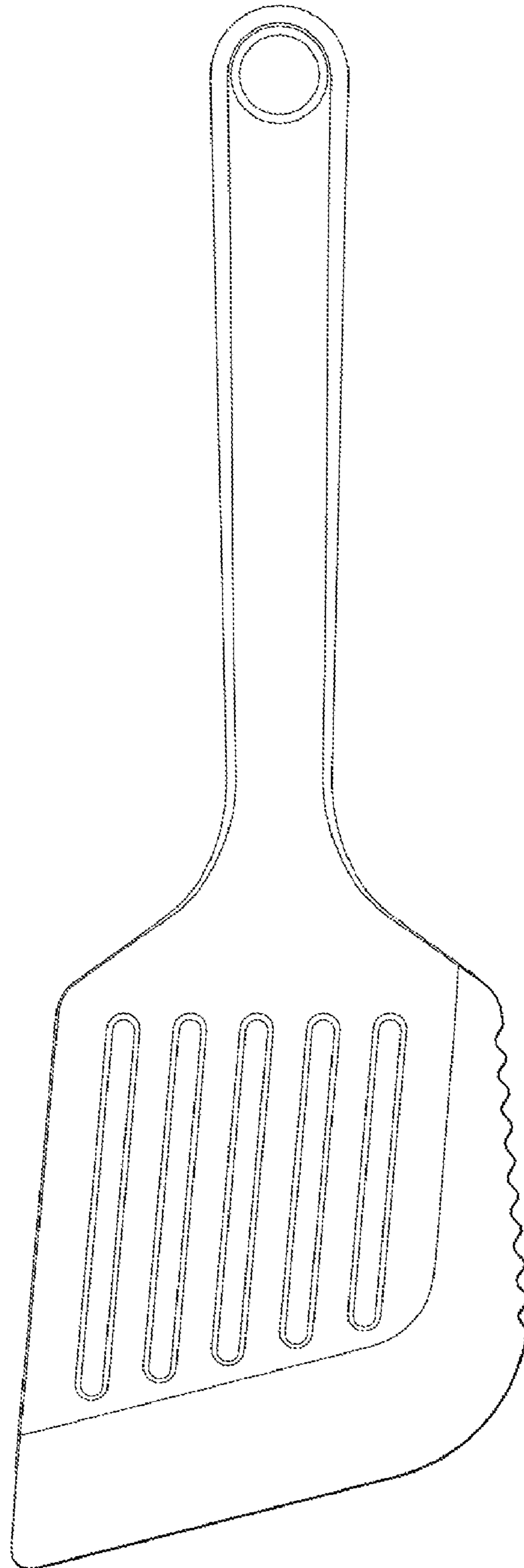


Figure 1



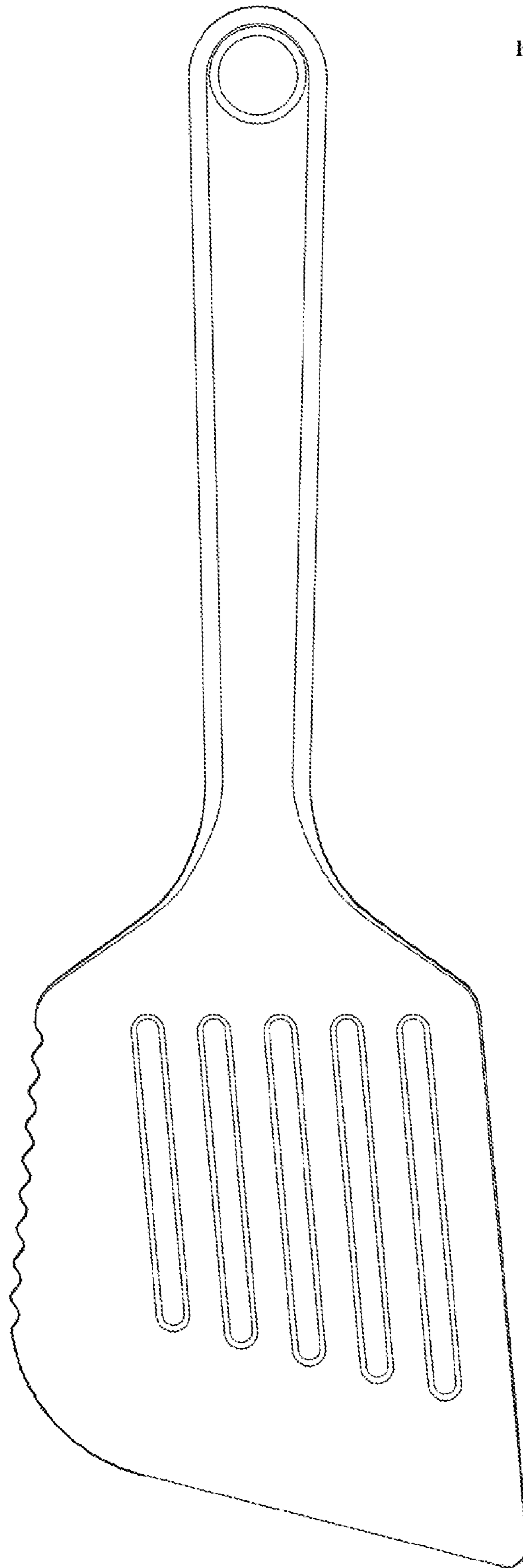


Figure 2

Figure 3

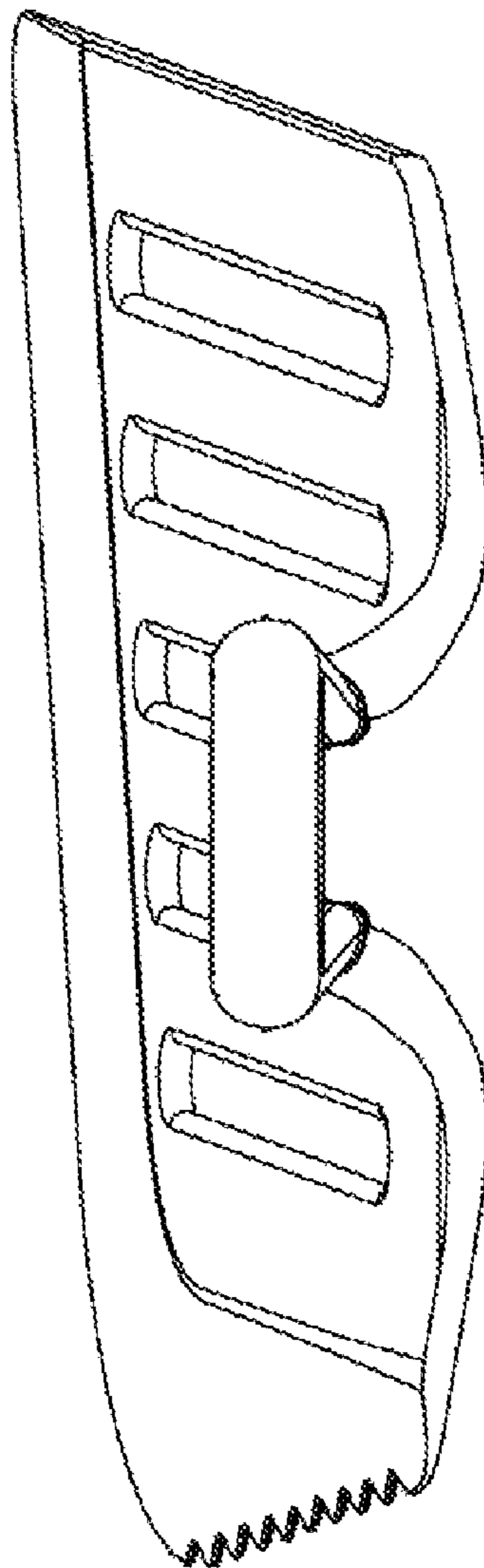
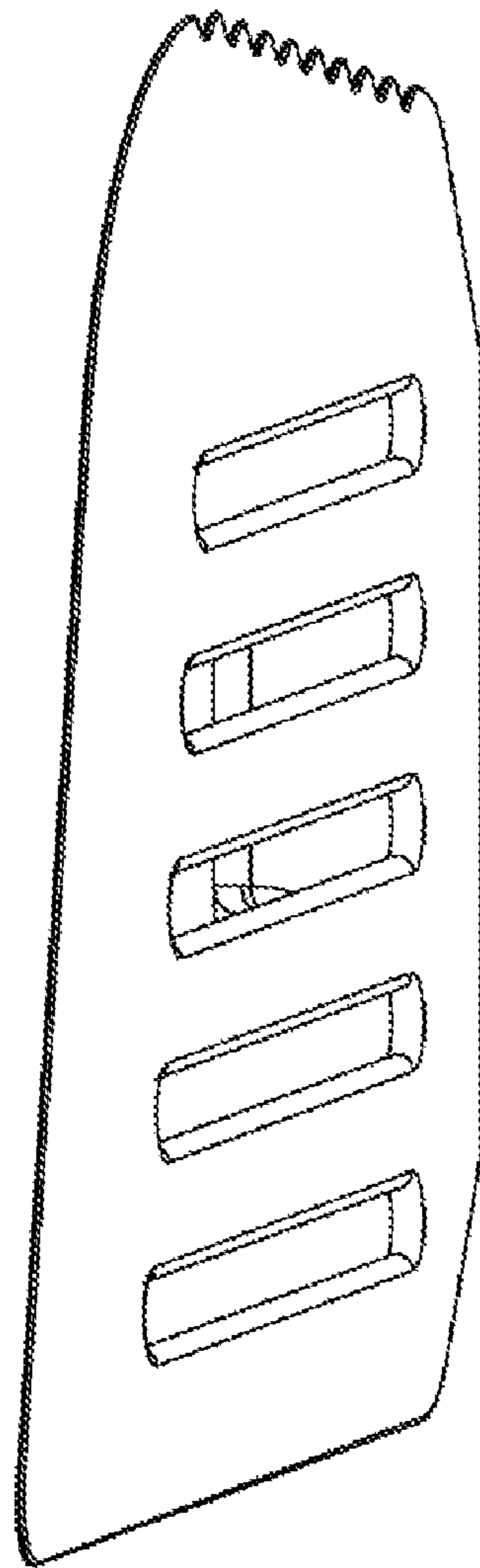


Figure 4



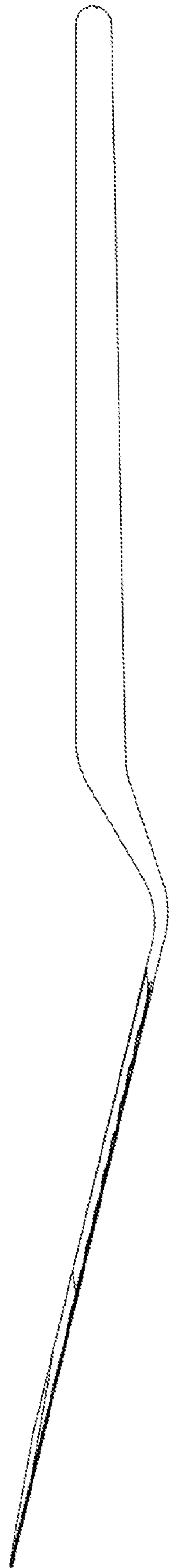


Figure 5