



US00D673011S

(12) **United States Design Patent**
Ramirez

(10) **Patent No.:** **US D673,011 S**

(45) **Date of Patent:** **** Dec. 25, 2012**

(54) **FOOD PRESS**

(75) Inventor: **Giancarlo Ramirez**, Cincinnati, OH
(US)

(73) Assignee: **Ramsco Diversified, Ltd.**, Cincinnati,
OH (US)

(**) Term: **14 Years**

(21) Appl. No.: **29/395,469**

(22) Filed: **Jan. 30, 2012**

(51) **LOC (9) Cl.** **31-00**

(52) **U.S. Cl.** **D7/665**

(58) **Field of Classification Search** D7/665,
D7/372, 381-386; 99/495, 501-511, 496,
99/497; 366/64-67, 98, 142, 197-211, 241-254,
366/279-292, 341-347; 241/100, 33, 36,
241/37, 285.1-285.3, 168, 169, 282.1, 282.2,
241/104, 110, 126, 213, 131-135, 92

See application file for complete search history.

(56) **References Cited**

U.S. PATENT DOCUMENTS

3,537,691 A * 11/1970 Miyoshi et al. 241/282.2
D255,005 S * 5/1980 Fuchs D7/665

D316,212 S * 4/1991 Seal, Jr. D7/665
D331,176 S * 11/1992 Green D7/679
D339,502 S * 9/1993 Kamiyama D7/384
D479,666 S * 9/2003 Barker D7/378
6,666,574 B1 * 12/2003 Pryor 366/205
8,109,668 B2 * 2/2012 Garman et al. 366/205

* cited by examiner

Primary Examiner — Terry Wallace

(74) *Attorney, Agent, or Firm* — Neal O. Willmann

(57) **CLAIM**

The ornamental design for the food press, as shown and described.

DESCRIPTION

FIG. 1 is a front side elevation view of a food press showing my new design;

FIG. 2 is a left side elevation view thereof;

FIG. 3 is a right side elevation view thereof;

FIG. 4 is a back side elevation view thereof;

FIG. 5 is a top plan view thereof;

FIG. 6 is a bottom plan view thereof; and,

FIG. 7 is the front side elevation view of FIG. 1 with the pistons of said press elevated in the cylinders thereof showing the range of motion of said pistons.

1 Claim, 6 Drawing Sheets

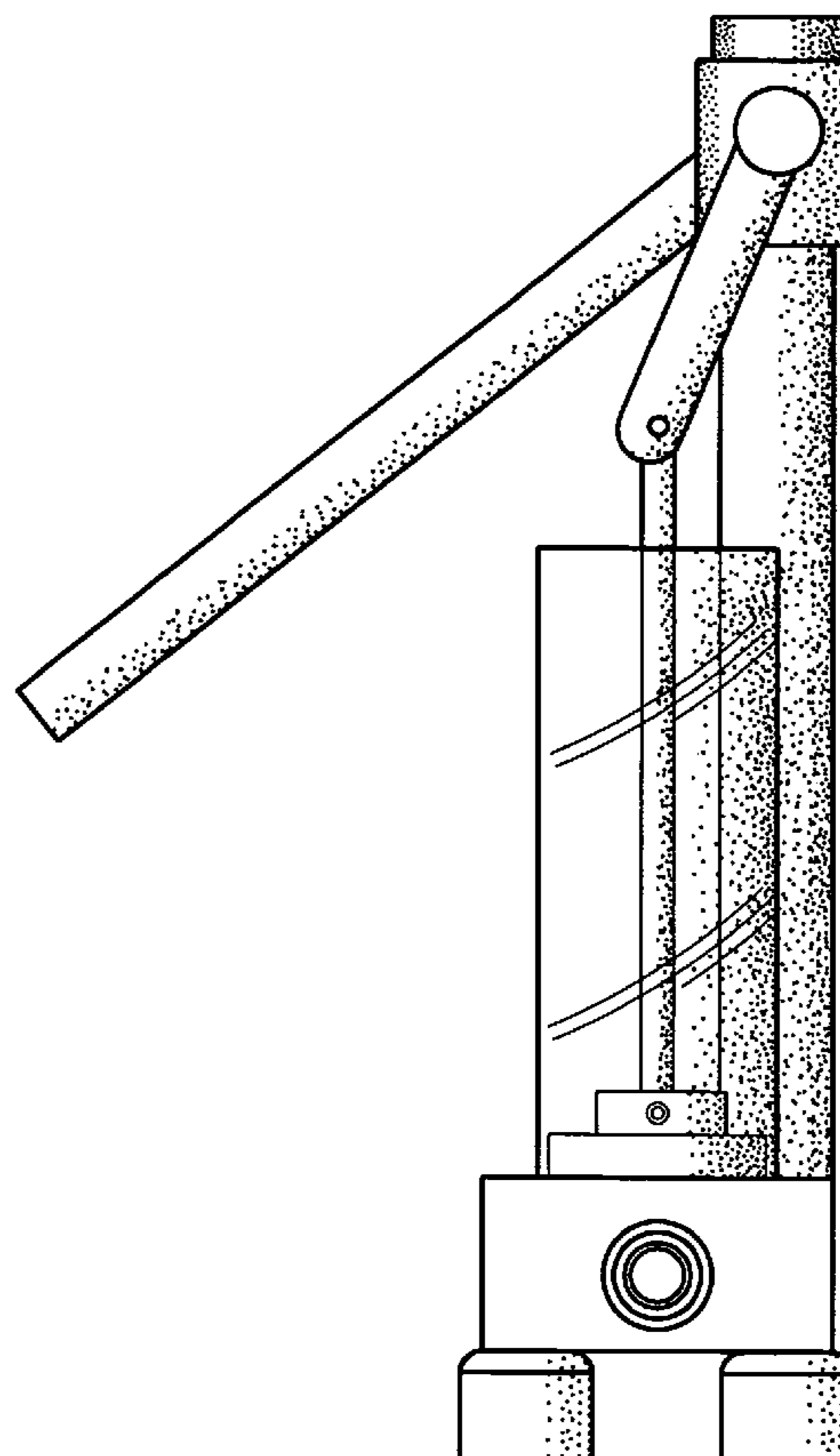
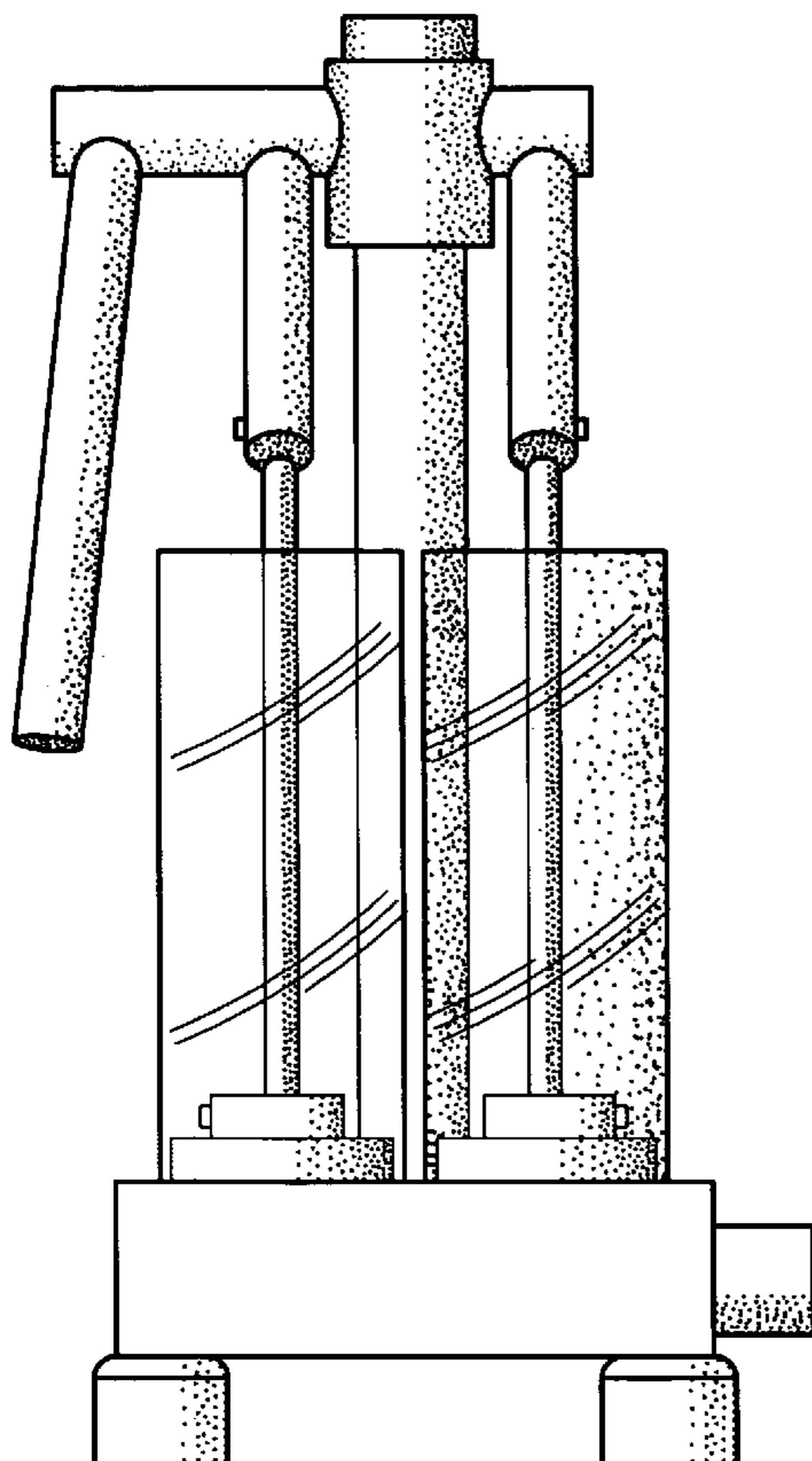


Fig. 1

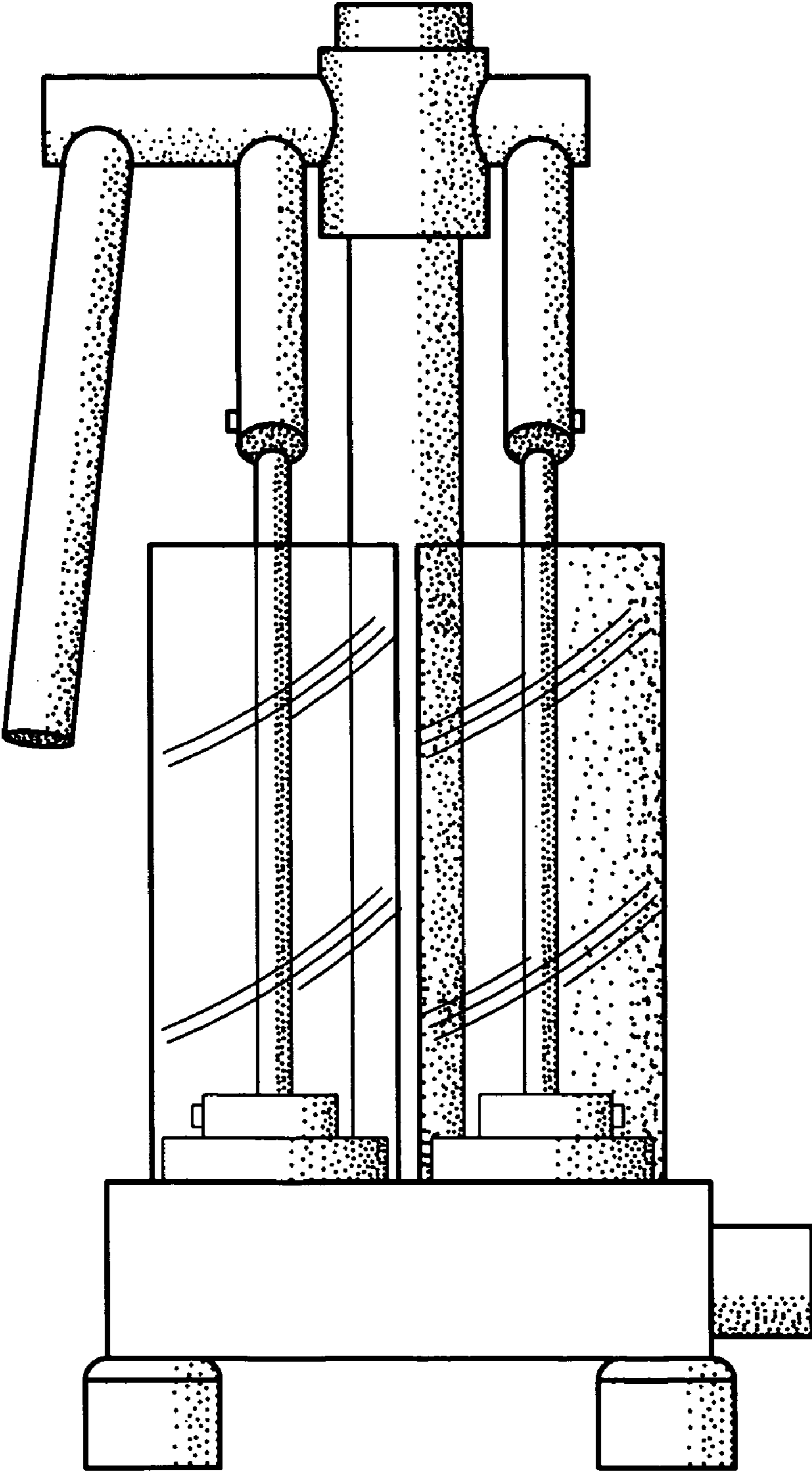


Fig. 2

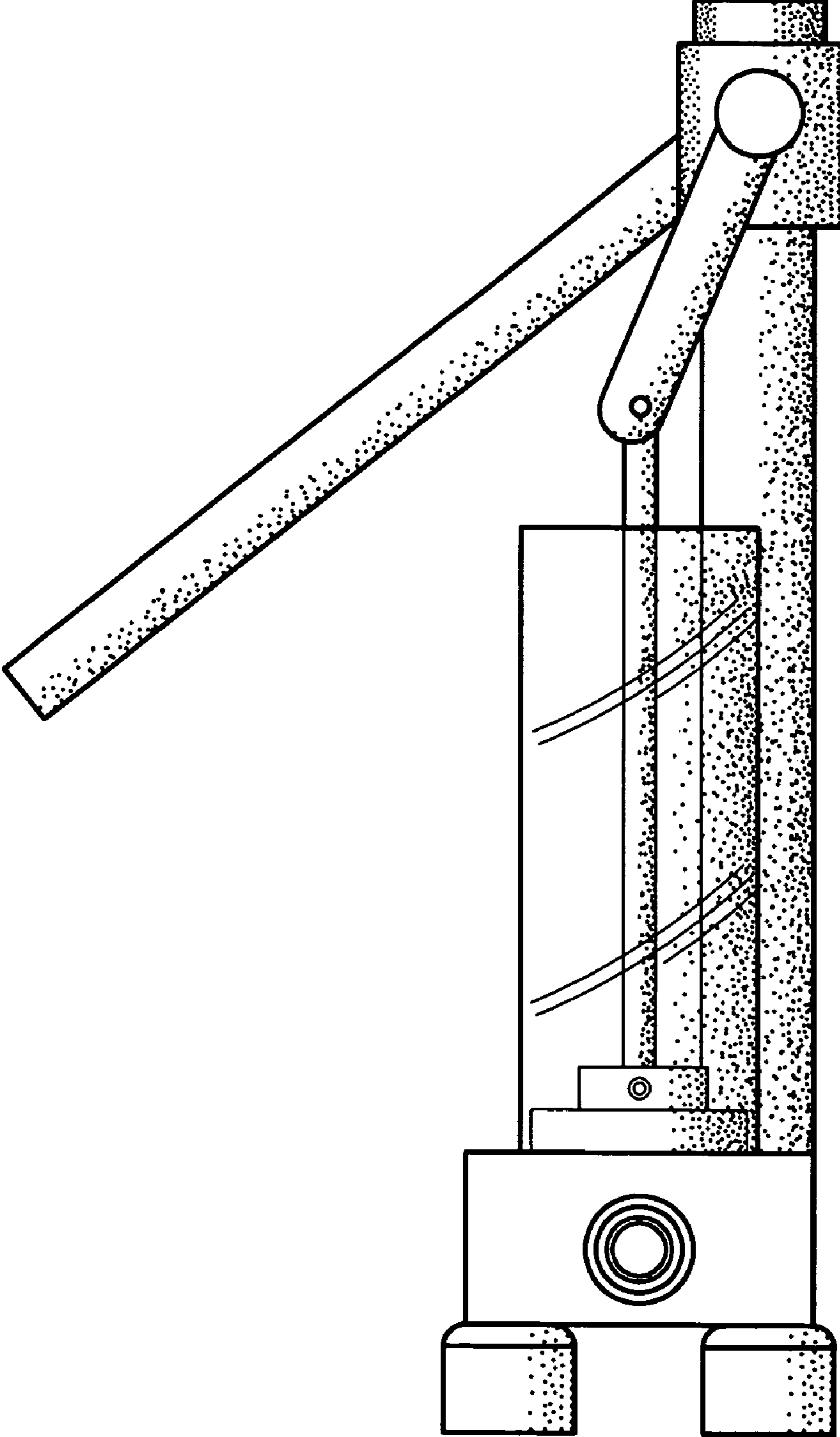


Fig. 3

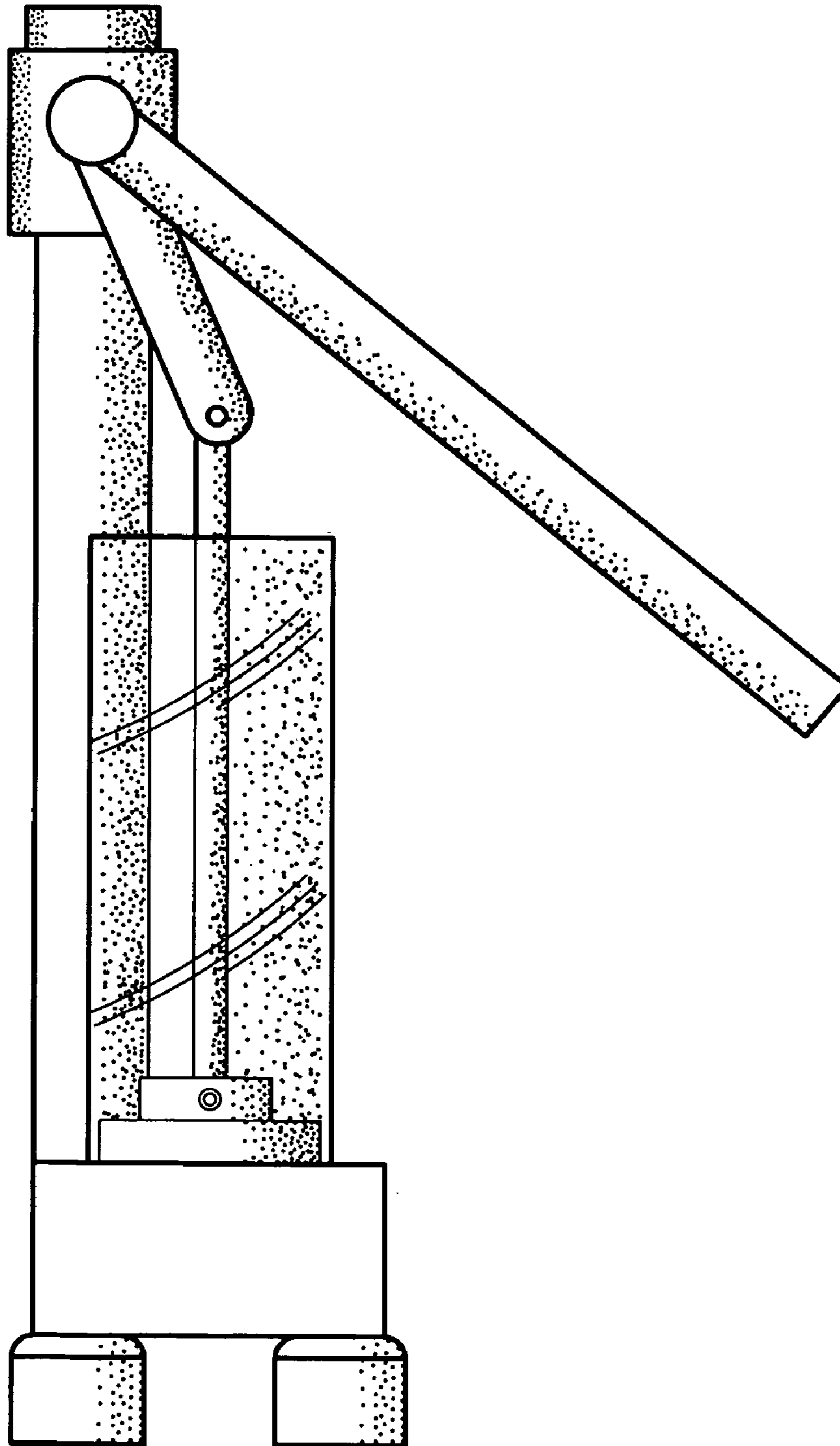


Fig. 4

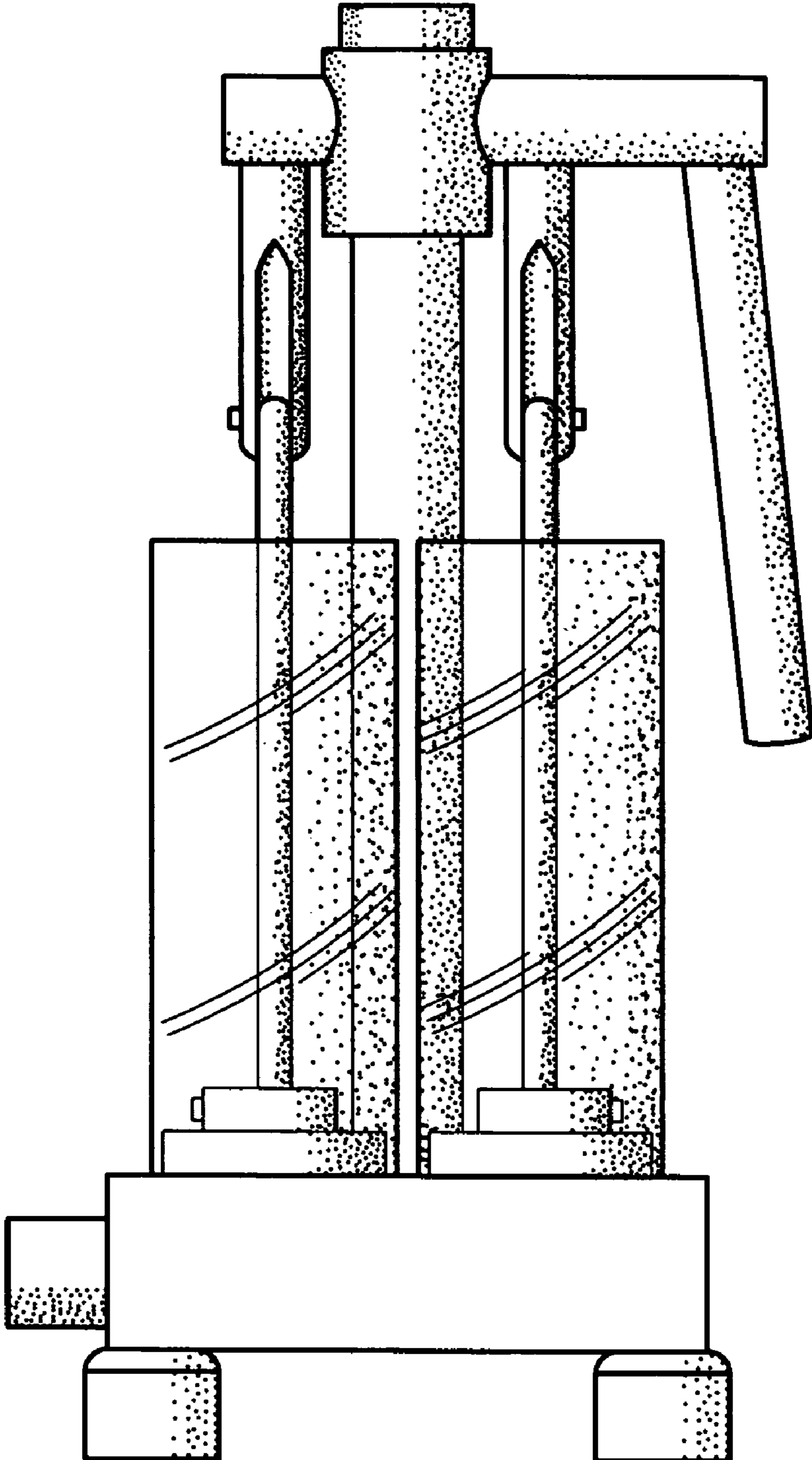


Fig. 5

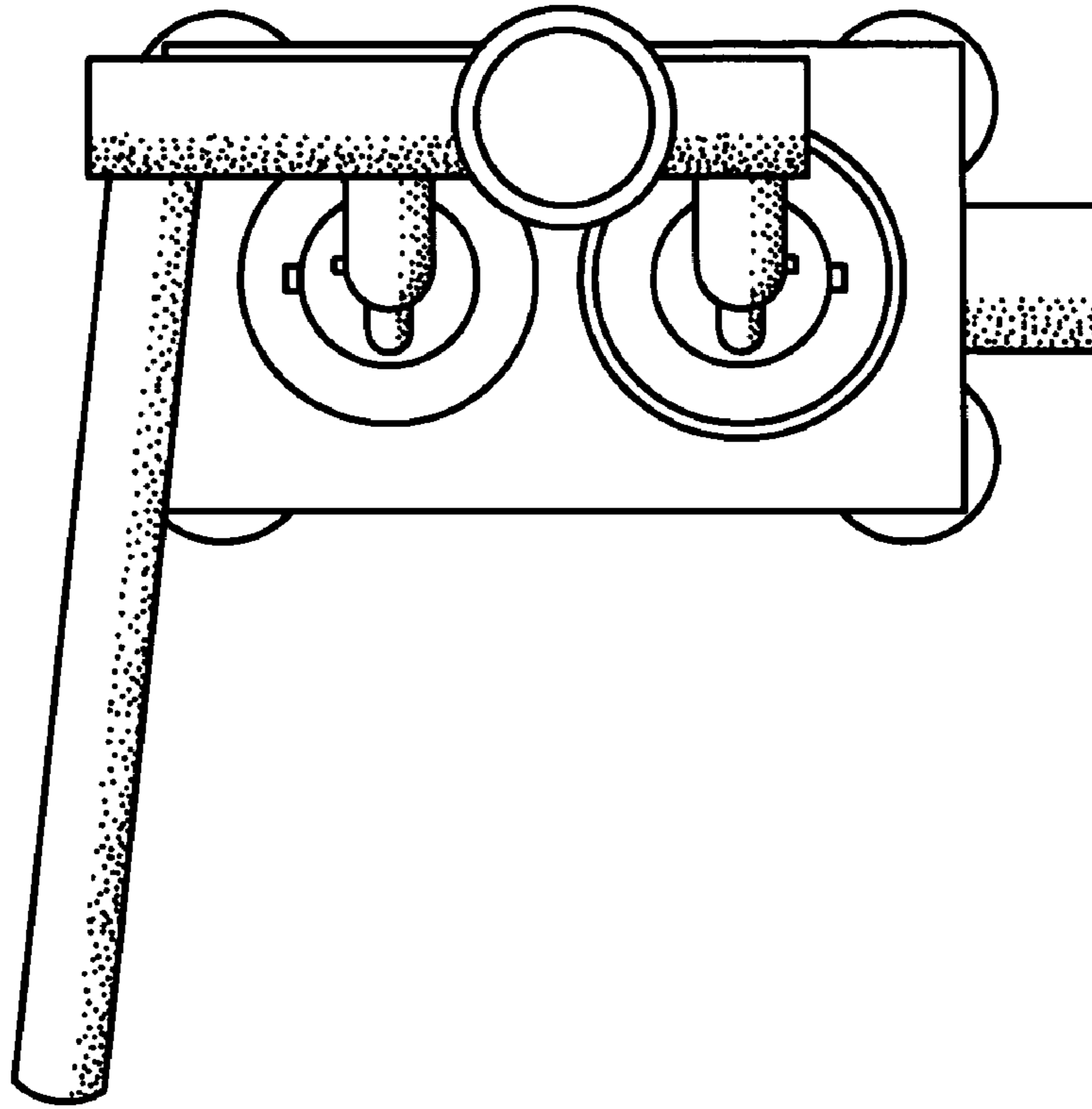


Fig. 6

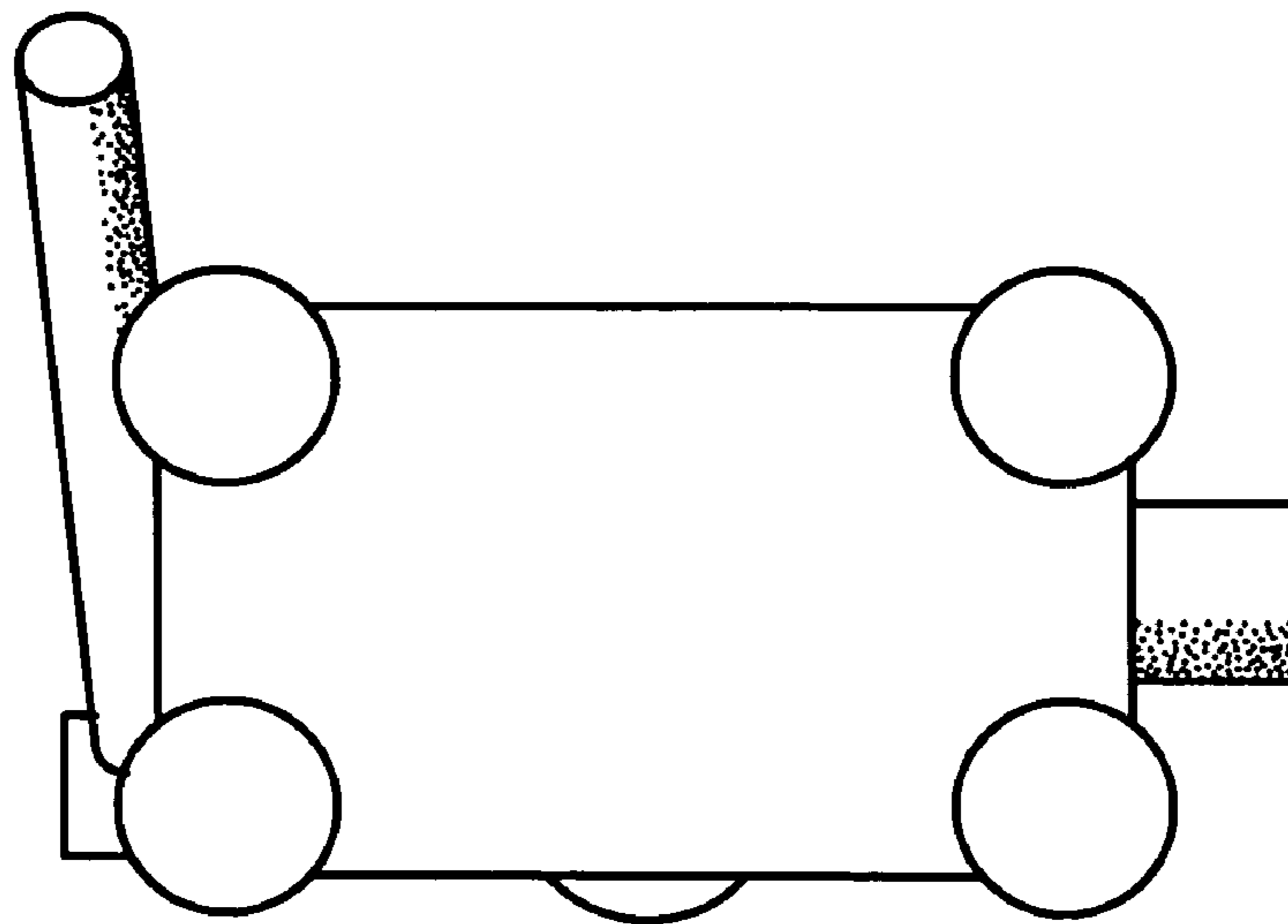


Fig. 7

