

US00D673001S

(12) **United States Design Patent**
Becze et al.

(10) **Patent No.:** **US D673,001 S**

(45) **Date of Patent:** **** Dec. 25, 2012**

- (54) **DUAL DOOR MICROWAVE OVEN**
- (75) Inventors: **Christopher R. Becze**, Denver, CO
(US); **Brian B. Monahan**, Denver, CO
(US)
- (73) Assignee: **Bemon, LLC**, Denver, CO (US)
- (**) Term: **14 Years**
- (21) Appl. No.: **29/403,238**
- (22) Filed: **Oct. 3, 2011**
- (51) **LOC (9) Cl.** **07-02**
- (52) **U.S. Cl.** **D7/351**
- (58) **Field of Classification Search** D7/350.1-350.4,
D7/351, 402, 405, 406; 219/756-758, 391;
126/19 M, 21 A, 275 E; 99/352
See application file for complete search history.

- 6,872,927 B2 3/2005 Geisler et al.
- D532,645 S * 11/2006 Lee D7/351
- D540,613 S * 4/2007 Jeon D7/350.1
- D540,614 S * 4/2007 Jeon D7/350.1
- D568,675 S * 5/2008 Kawata D7/350.1
- D583,614 S * 12/2008 Chung et al. D7/351
- D607,264 S * 1/2010 Lee D7/351
- D632,125 S * 2/2011 Kim et al. D7/351
- D633,327 S * 3/2011 Kim D7/351
- D654,299 S * 2/2012 Benold D7/350.1
- 2001/0045430 A1 11/2001 Mawoud
- 2006/0011417 A1 1/2006 Chen et al.
- 2010/0176123 A1 7/2010 Mihara et al.
- 2010/0193499 A1 8/2010 Blazeovich

* cited by examiner

Primary Examiner — Ruth McInroy

(74) *Attorney, Agent, or Firm* — Bryan Cave LLP

(57) **CLAIM**

The ornamental design for a dual door microwave oven, as shown and described.

(56) **References Cited**

U.S. PATENT DOCUMENTS

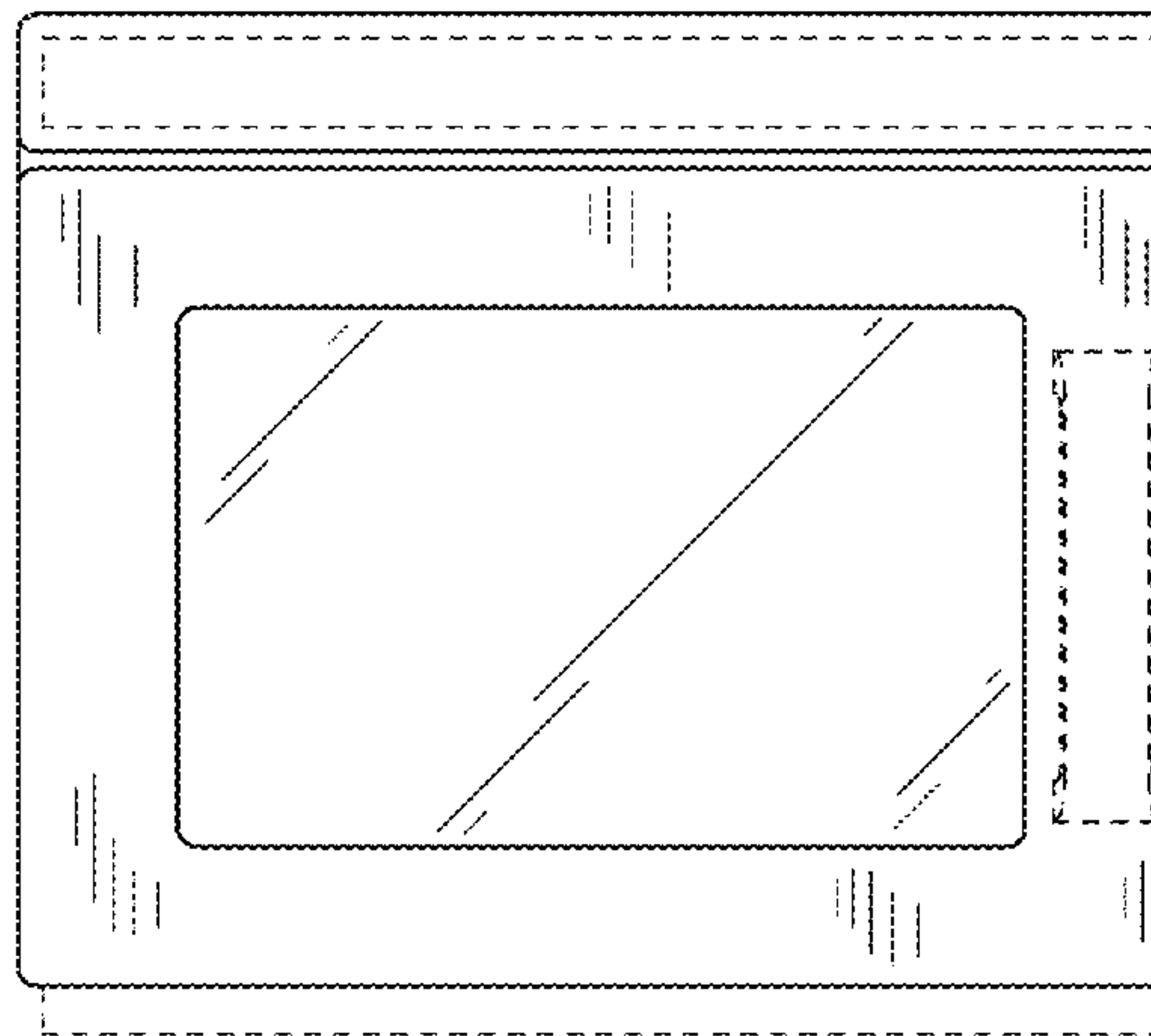
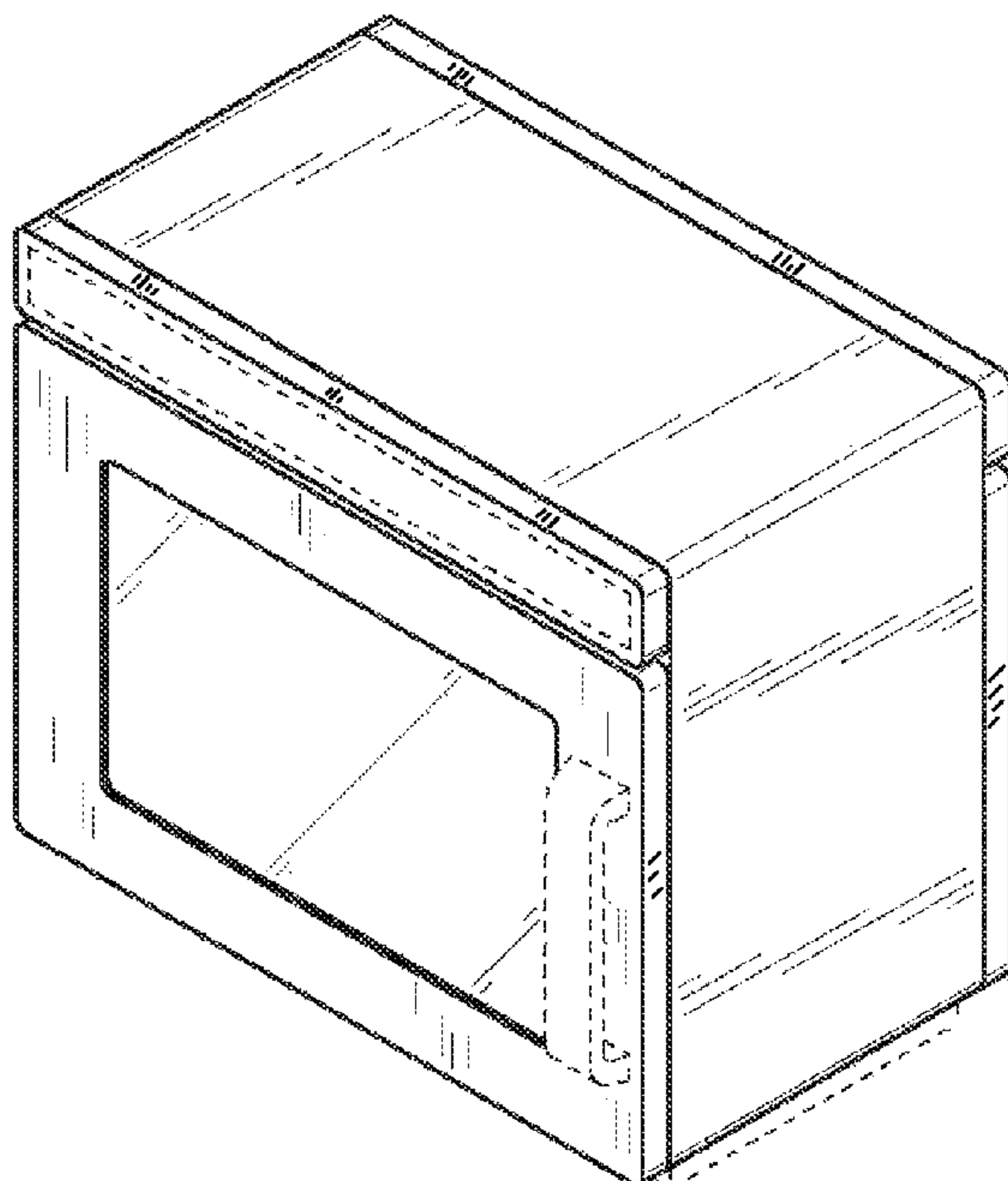
- 3,239,643 A 3/1966 Kluck
- 3,665,491 A 5/1972 Cooper
- 3,974,353 A 8/1976 Goltzos
- 4,176,268 A 11/1979 Gerling
- 4,206,338 A 6/1980 Katona
- 4,219,716 A 8/1980 Kaufman, Jr. et al.
- 4,677,278 A 6/1987 Knoll
- 5,400,524 A 3/1995 Crosnier et al.
- 5,436,432 A 7/1995 Cyr
- 5,512,312 A 4/1996 Forney et al.
- 5,564,594 A 10/1996 Monfredo
- 5,796,082 A 8/1998 Kim
- 5,897,807 A 4/1999 Edgar et al.
- D452,410 S * 12/2001 Ichimura D7/351
- 6,686,574 B2 2/2004 Hyun
- 6,713,741 B2 3/2004 Miller
- 6,844,534 B2 1/2005 Haamer

DESCRIPTION

FIG. 1 is a front perspective view of a dual door microwave oven showing our new design;
 FIG. 2 is a front elevation view thereof;
 FIG. 3 is a rear elevation view thereof;
 FIG. 4 is a right side elevation view thereof;
 FIG. 5 is a left side elevation view thereof;
 FIG. 6 is a top plan view thereof;
 FIG. 7 is a bottom plan view thereof; and,
 FIG. 8 is a top plan view showing both doors in an open configuration.

The broken lines in the drawings illustrate environmental structure on the article and form no part of the claimed design.

1 Claim, 5 Drawing Sheets



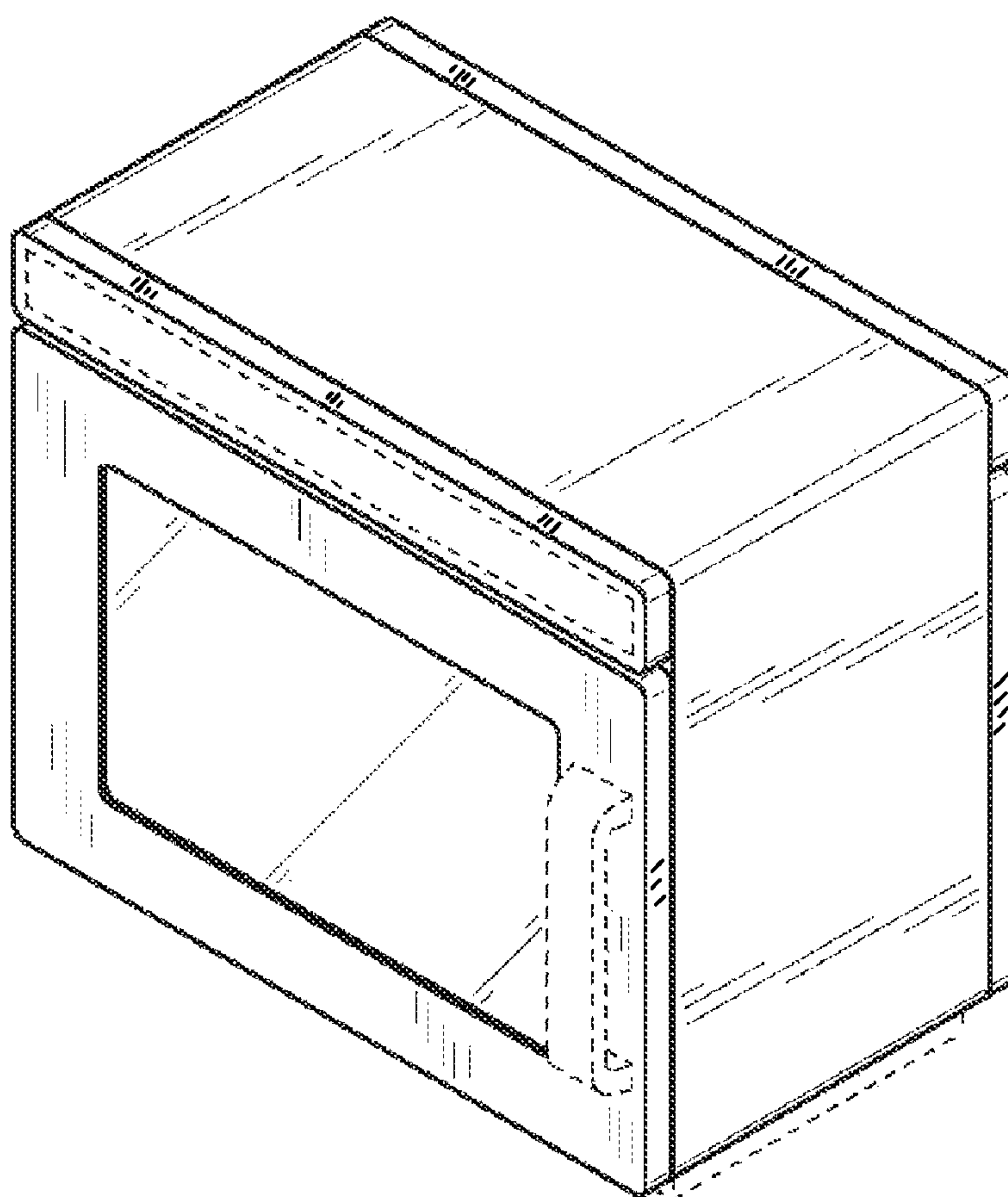


FIG. 1

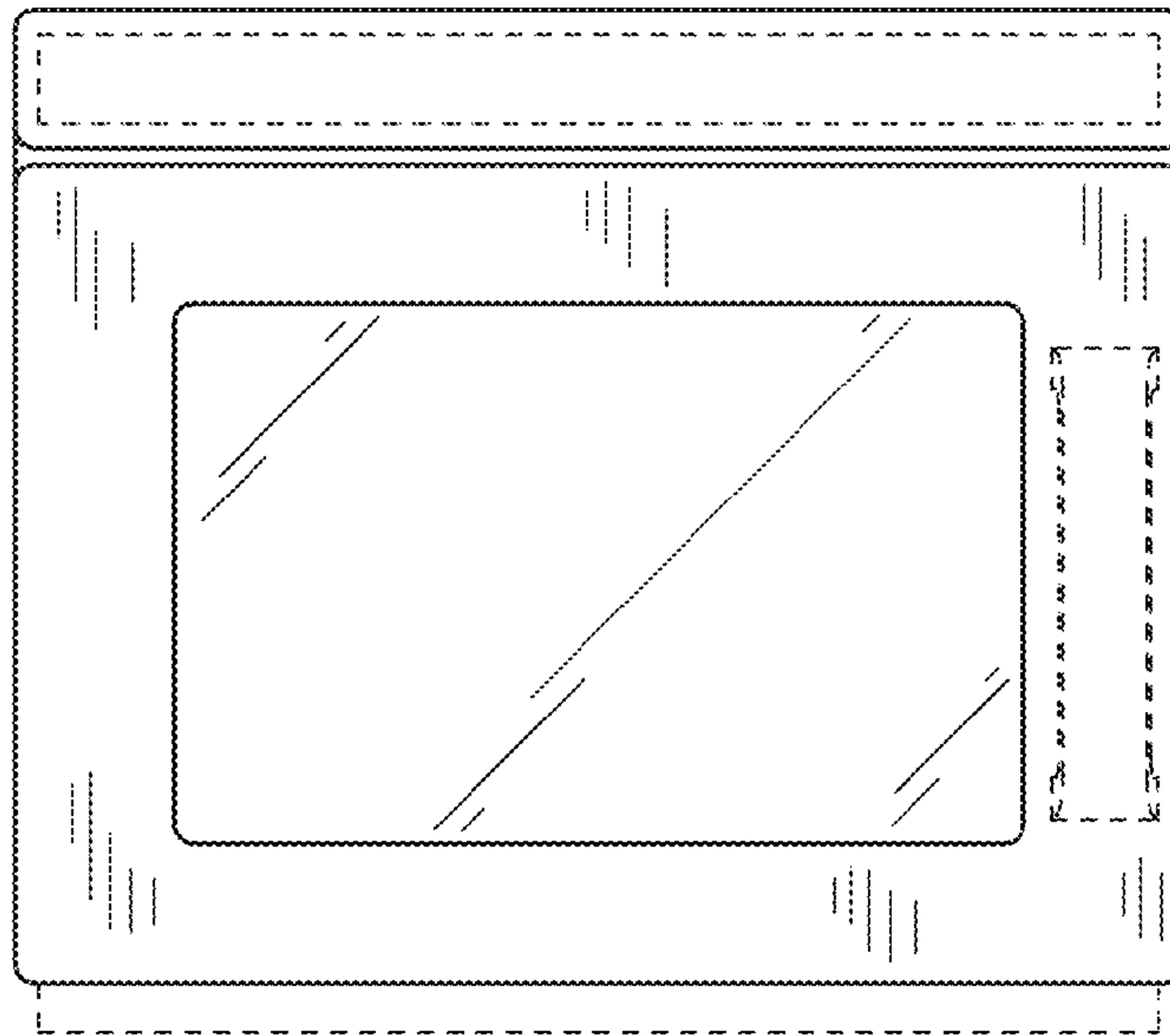


FIG. 2

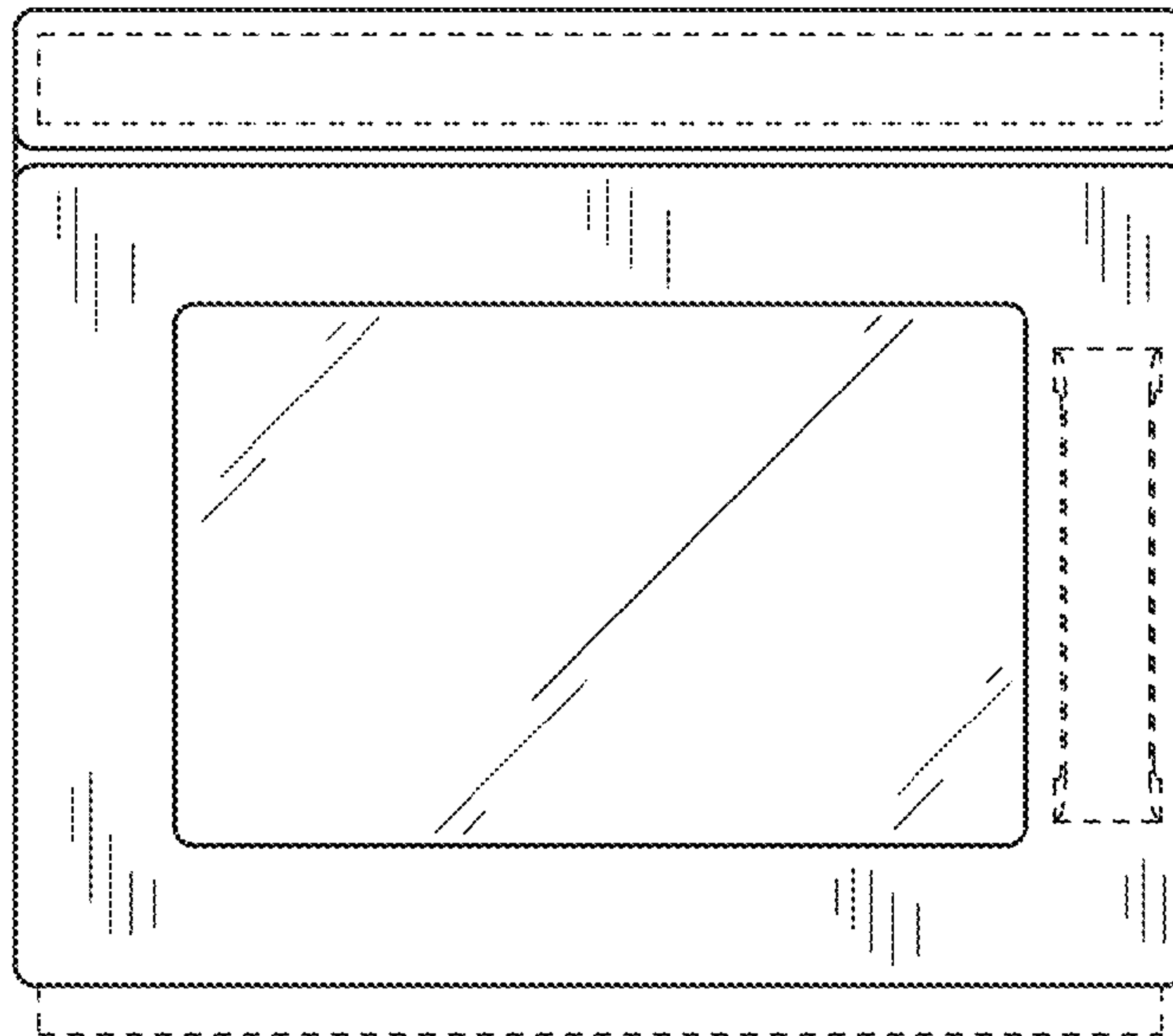


FIG. 3

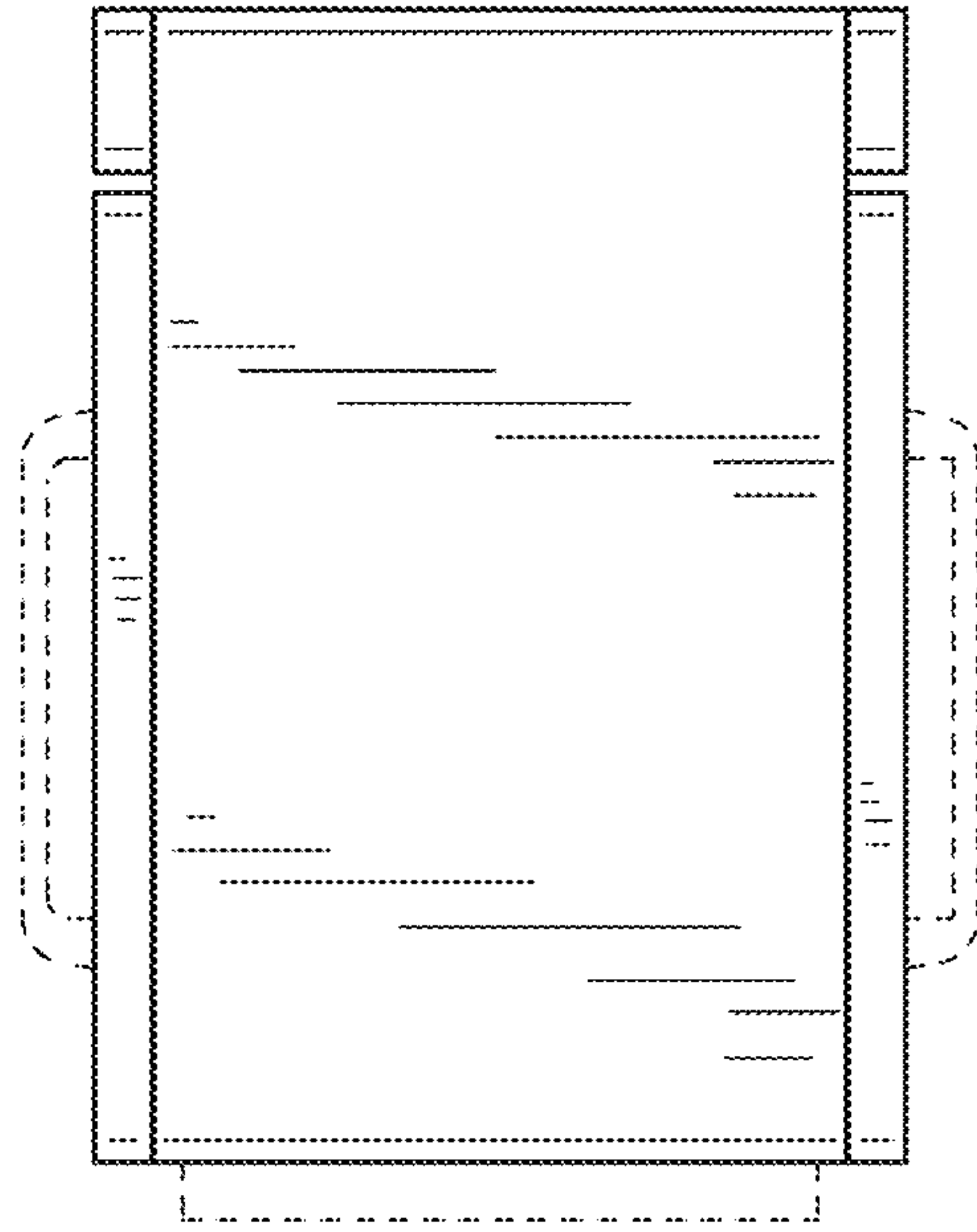


FIG. 4

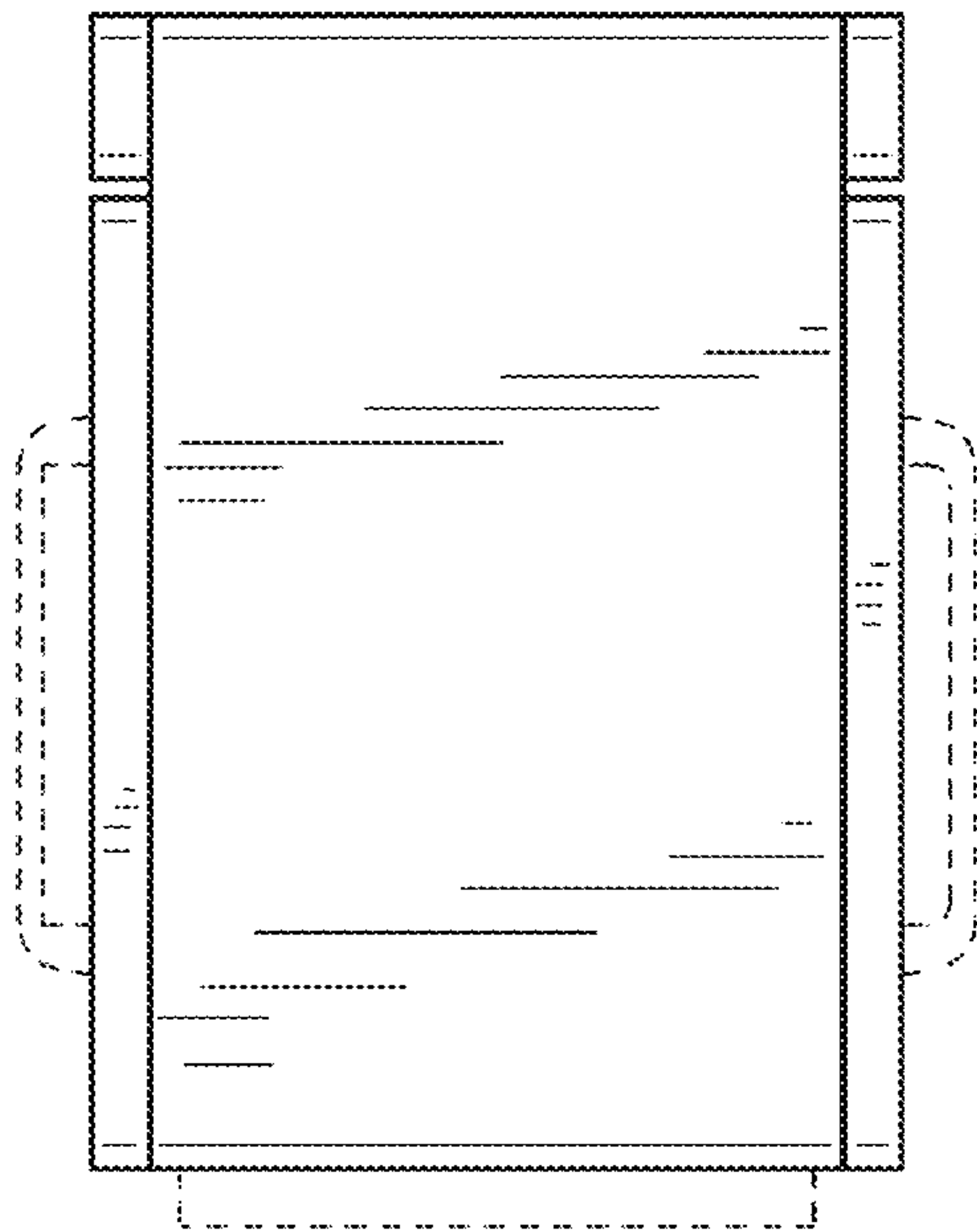


FIG. 5

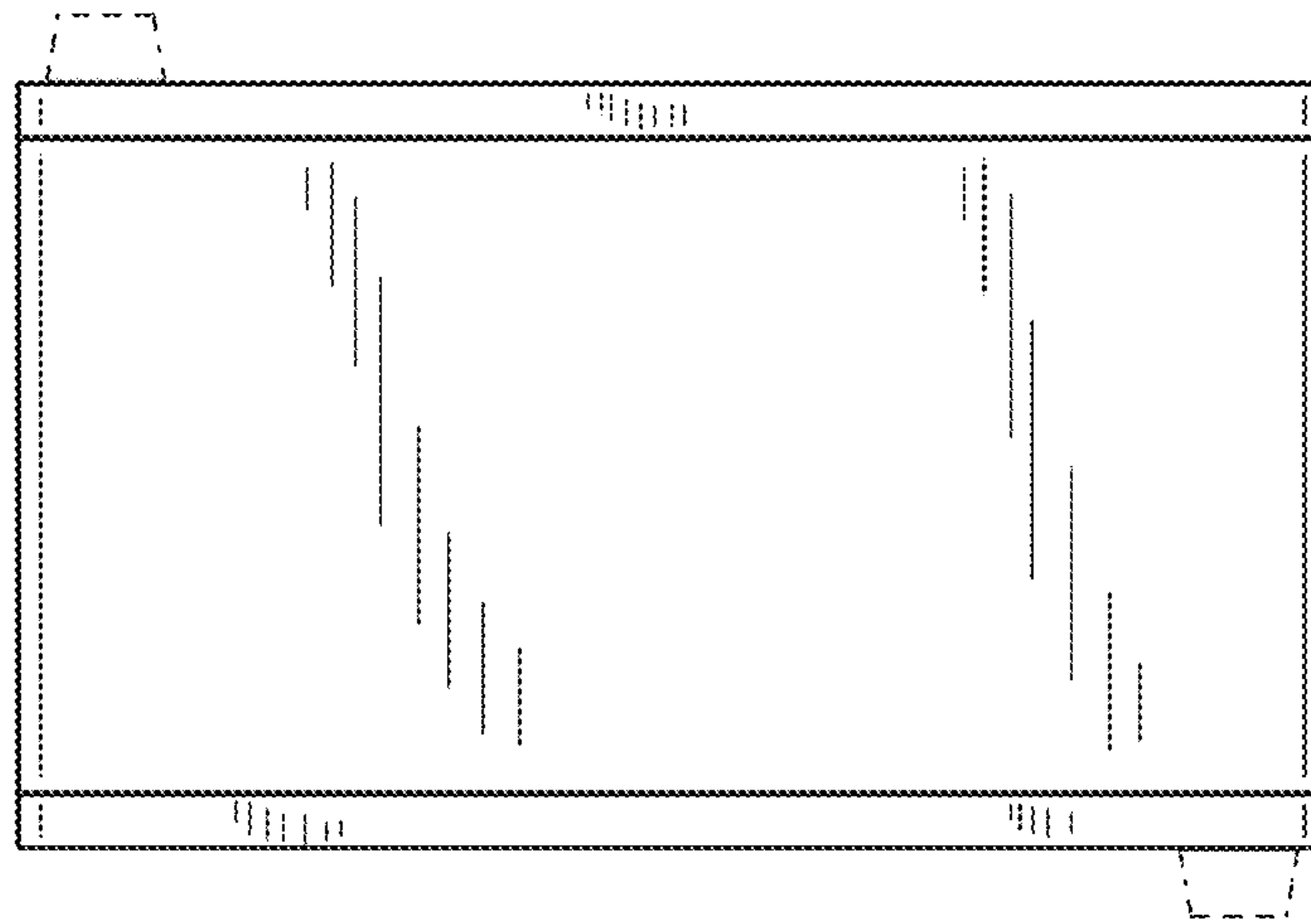


FIG. 6

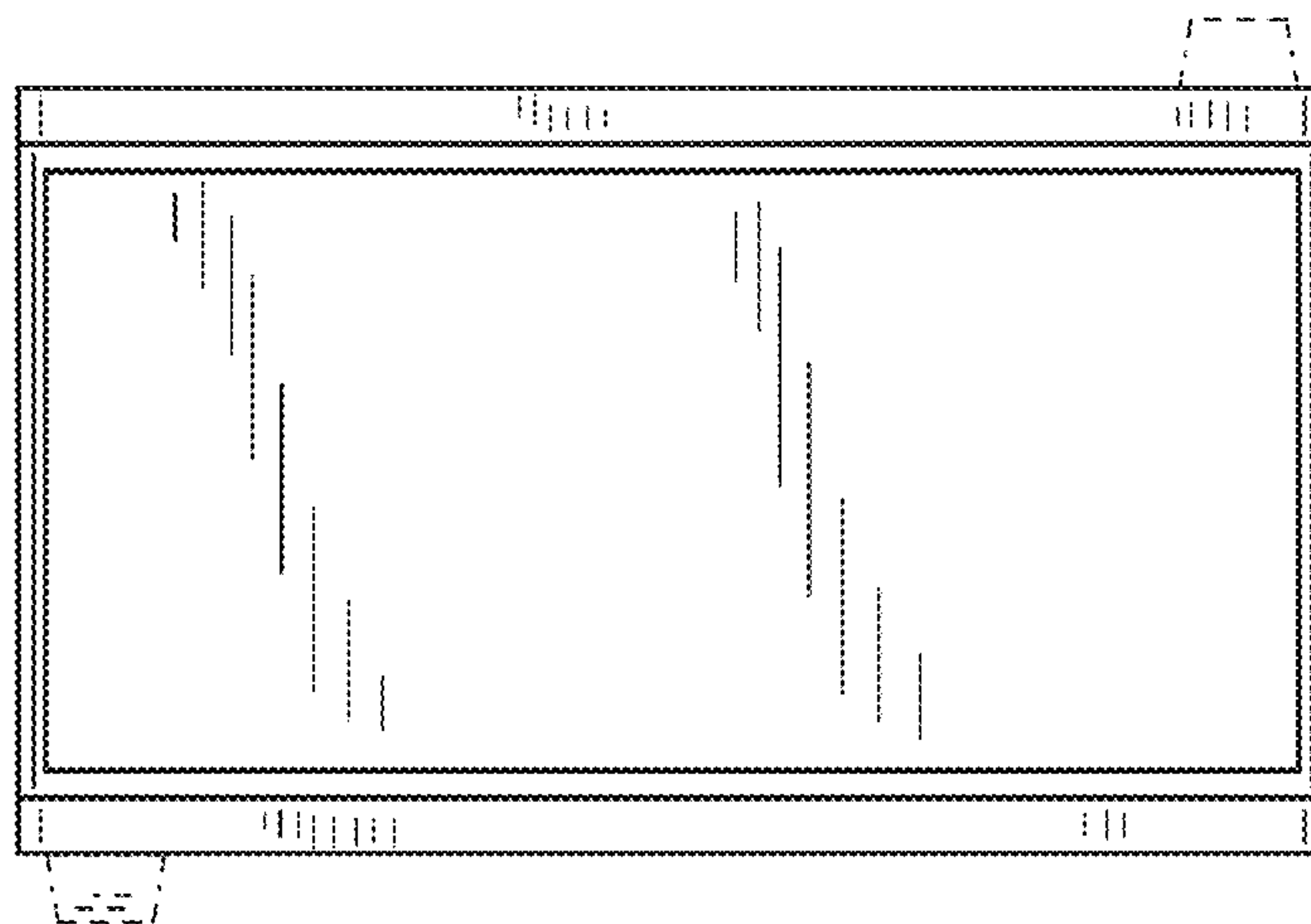


FIG. 7

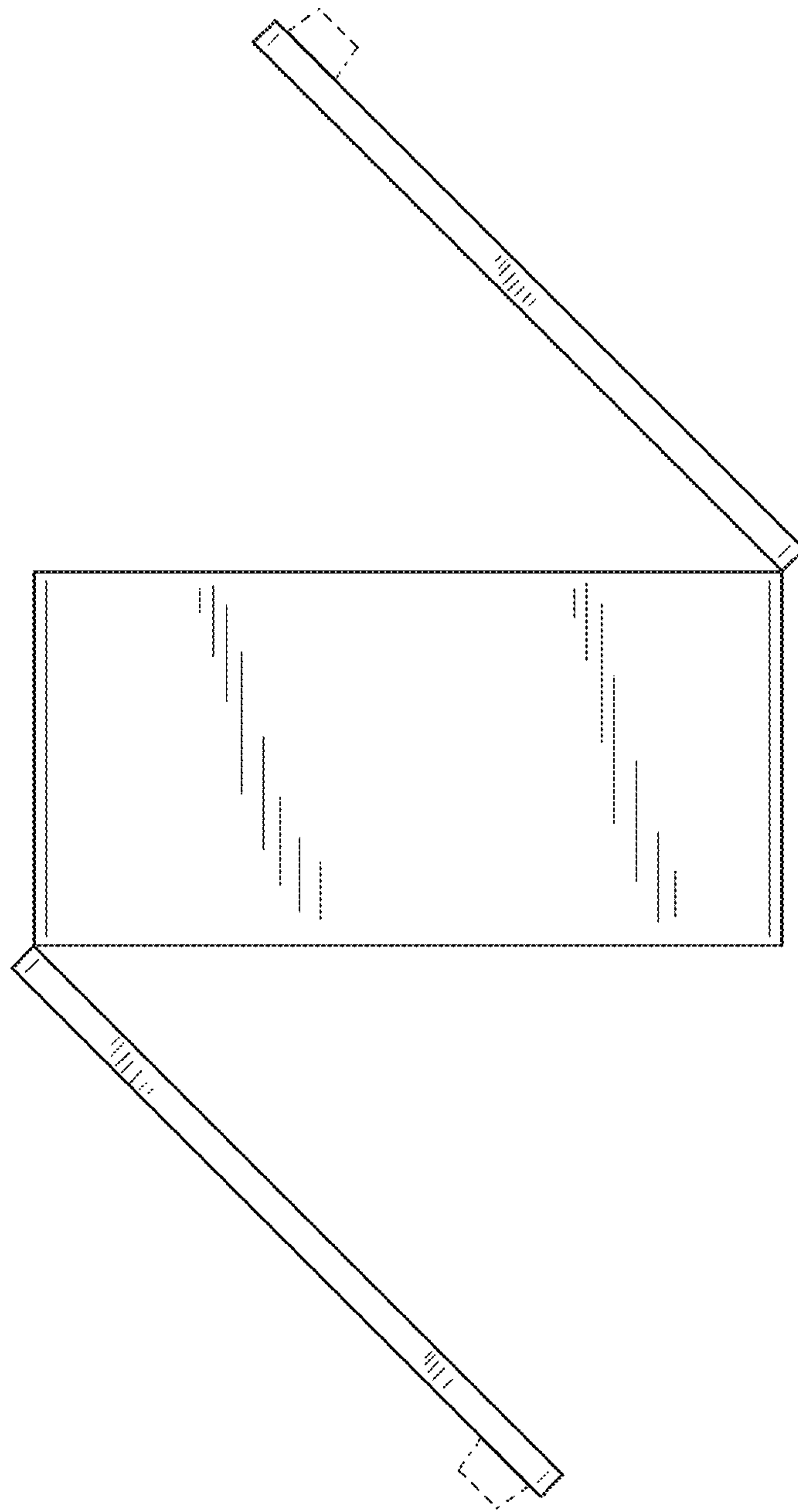


FIG.8