



US00D673000S

(12) **United States Design Patent**
De' Longhi

(10) **Patent No.:** **US D673,000 S**

(45) **Date of Patent:** **** Dec. 25, 2012**

(54) **ELECTRIC OVEN**

(75) **Inventor:** **Giuseppe De' Longhi**, Treviso (IT)

(73) **Assignee:** **De'Longhi Appliances Srl Con Unico Socio**, Treviso (IT)

(**) **Term:** **14 Years**

(21) **Appl. No.:** **29/401,323**

(22) **Filed:** **Sep. 9, 2011**

(30) **Foreign Application Priority Data**

Mar. 9, 2011 (EM) 001264428-0005

(51) **LOC (9) Cl.** **07-02**

(52) **U.S. Cl.** **D7/350.1**

(58) **Field of Classification Search** D7/350.1-350.4,
D7/351, 402, 405, 406; 219/756-758, 391;
126/19 M, 21 A, 275 E; 99/352

See application file for complete search history.

(56) **References Cited**

U.S. PATENT DOCUMENTS

D380,643 S *	7/1997	Piret	D7/350.4
D386,938 S *	12/1997	Piret	D7/350.4
D412,637 S *	8/1999	Piret	D7/350.4
D420,245 S *	2/2000	De'Longhi	D7/350.4
D461,091 S *	8/2002	Chen	D7/350.4
D476,846 S *	7/2003	Piret	D7/351
D479,943 S *	9/2003	Smith-Berry et al.	D7/350.4
D481,582 S *	11/2003	Seum et al.	D7/350.1
D521,799 S *	5/2006	Ledingham et al.	D7/350.1

D568,675 S *	5/2008	Kawata	D7/350.1
D575,979 S *	9/2008	Borin	D7/350.1
D587,959 S *	3/2009	Hensel	D7/350.1
D602,306 S *	10/2009	Lavy	D7/350.1
D614,905 S *	5/2010	Fiorotto	D7/350.1
D614,906 S *	5/2010	Fiorotto	D7/350.1
D625,557 S *	10/2010	Pino et al.	D7/405
D629,639 S *	12/2010	Fernandez et al.	D7/350.1
D635,815 S *	4/2011	De'Longhi	D7/350.1
D638,249 S *	5/2011	Ryan et al.	D7/350.1
D639,104 S *	6/2011	Duncan et al.	D7/350.1
D655,129 S *	3/2012	Gresko	D7/350.1
D663,156 S *	7/2012	Curtis et al.	D7/350.1
2011/0023861 A1 *	2/2011	Hensel	126/273 R

* cited by examiner

Primary Examiner — Ruth McInroy

(74) *Attorney, Agent, or Firm* — Hamre, Schumann, Mueller & Larson, P.C.

(57) **CLAIM**

The ornamental design for an electric oven, as shown and described.

DESCRIPTION

FIG. 1 is a front right perspective view of an electric oven showing my new design;

FIG. 2 is a front view thereof;

FIG. 3 is a back view thereof;

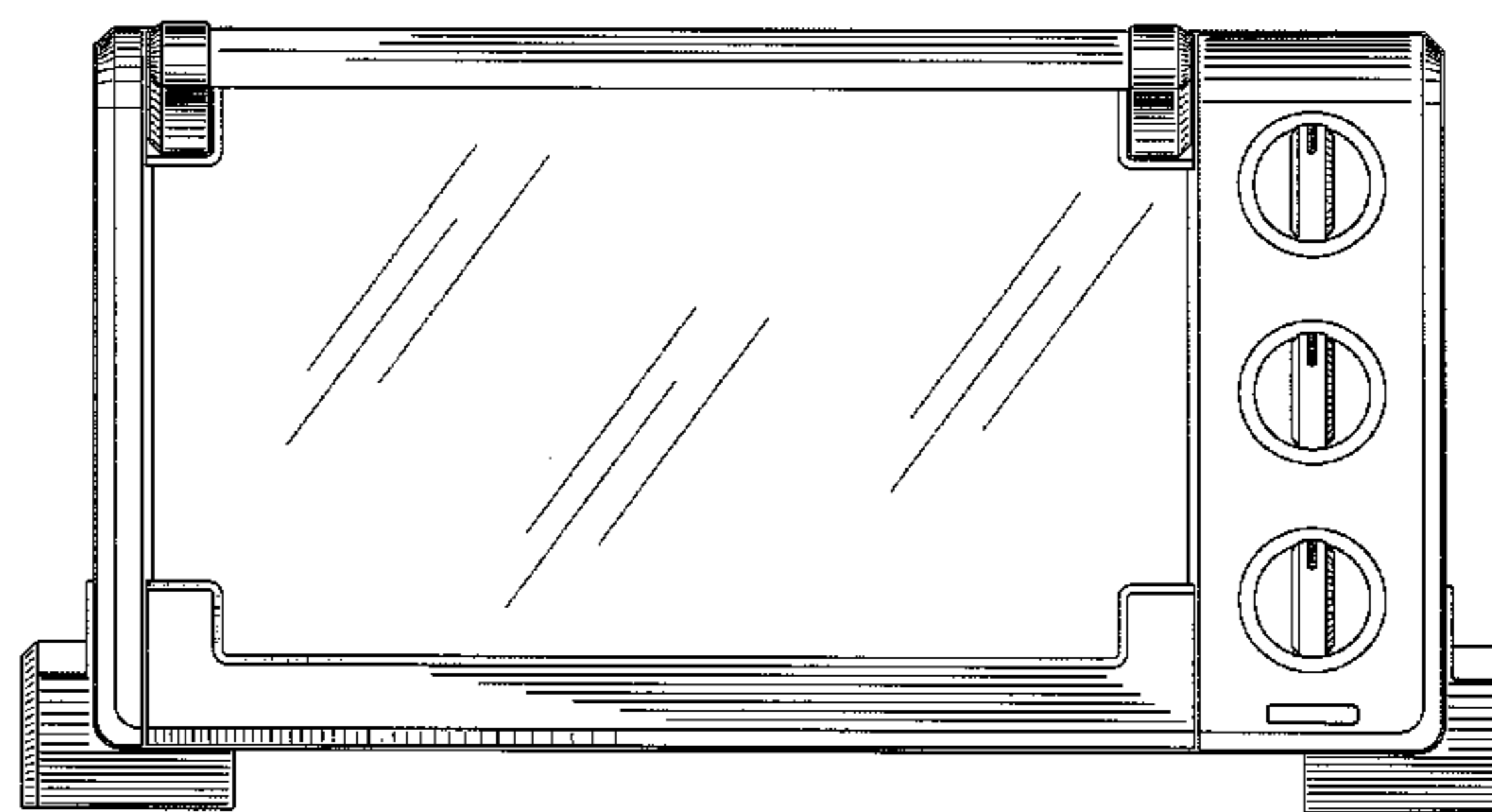
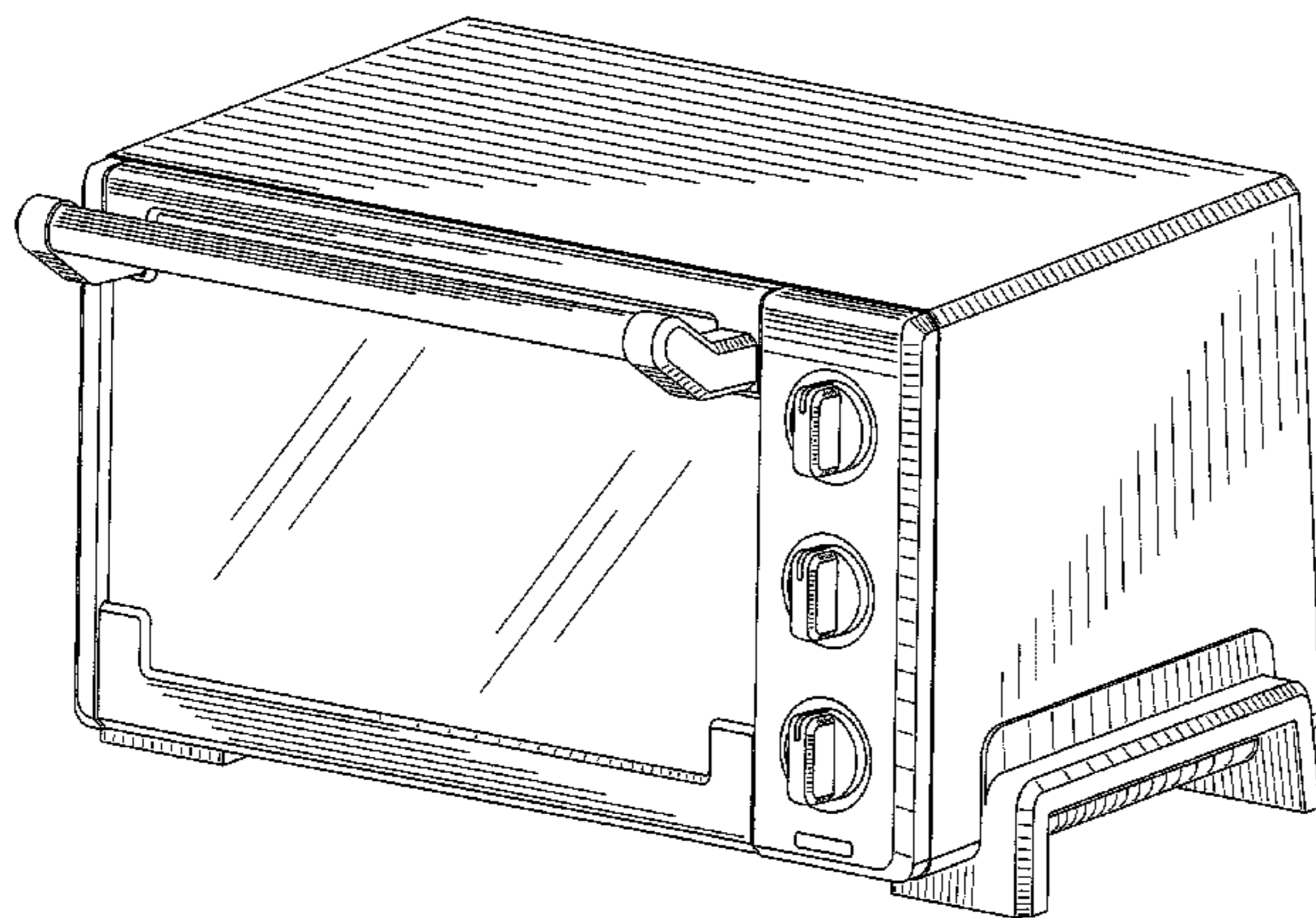
FIG. 4 is a right side view thereof;

FIG. 5 is a left side view thereof.

FIG. 6 is a top view thereof; and,

FIG. 7 is a bottom view thereof.

1 Claim, 7 Drawing Sheets



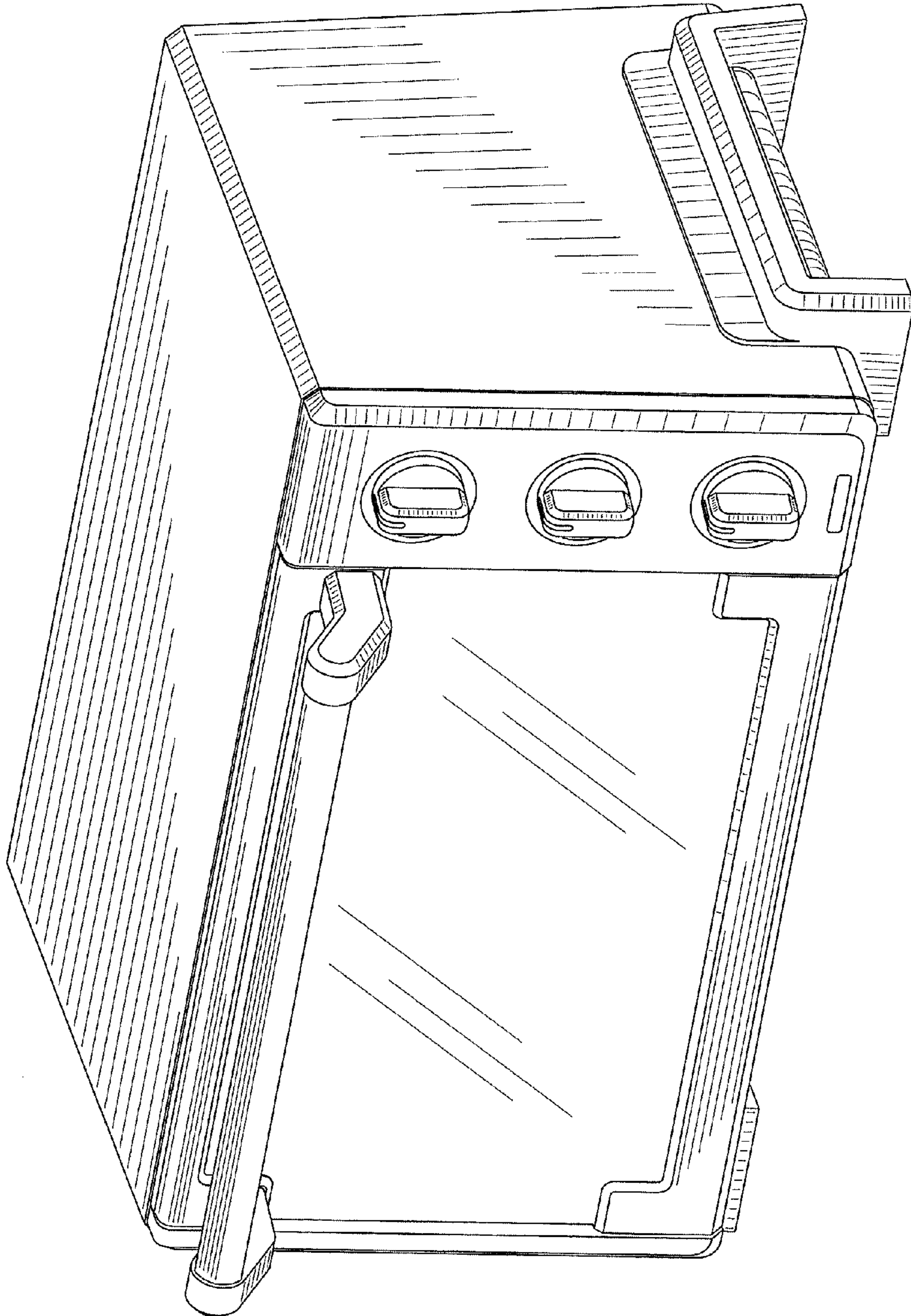


Fig. 1

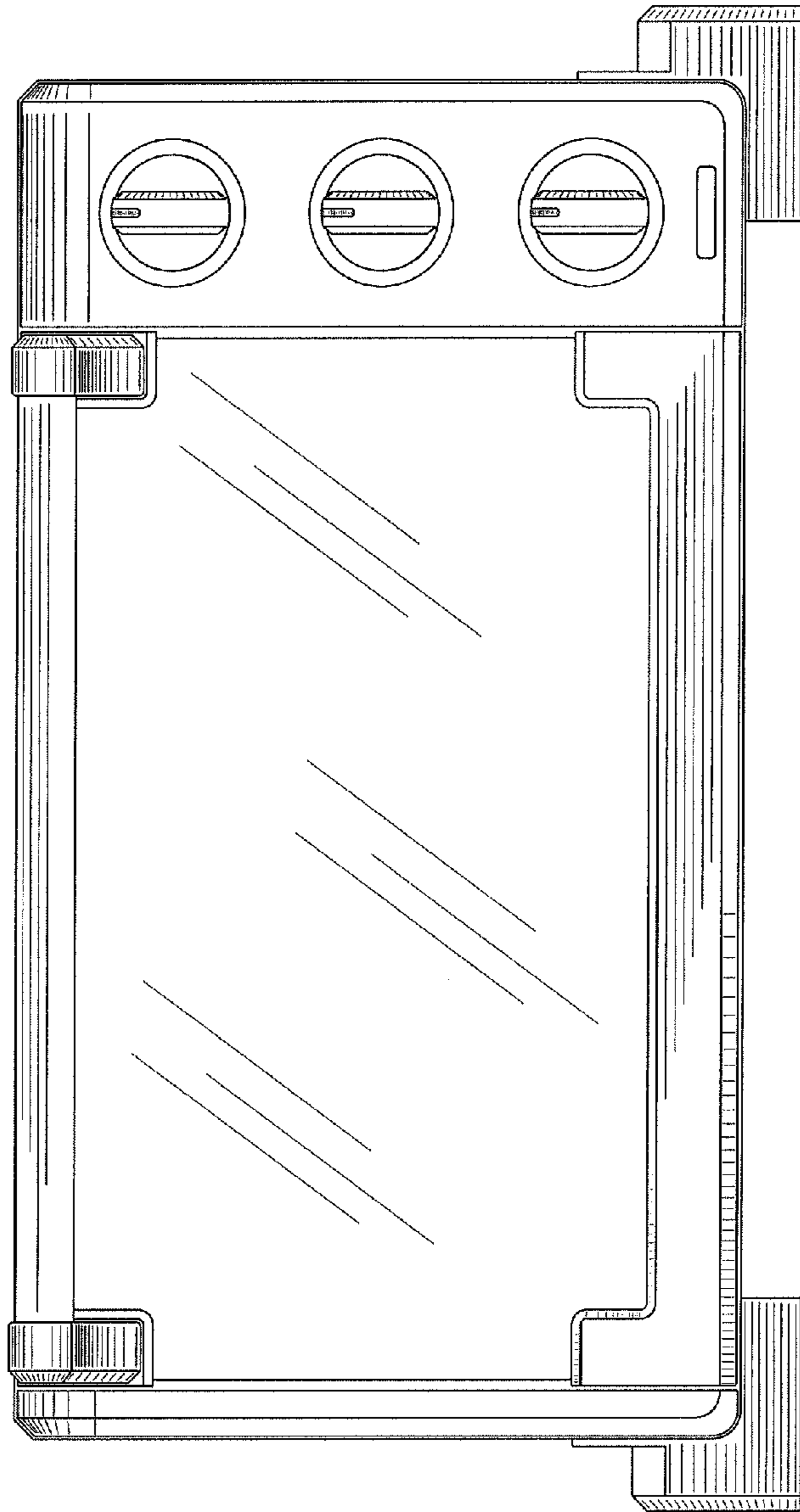


Fig. 2

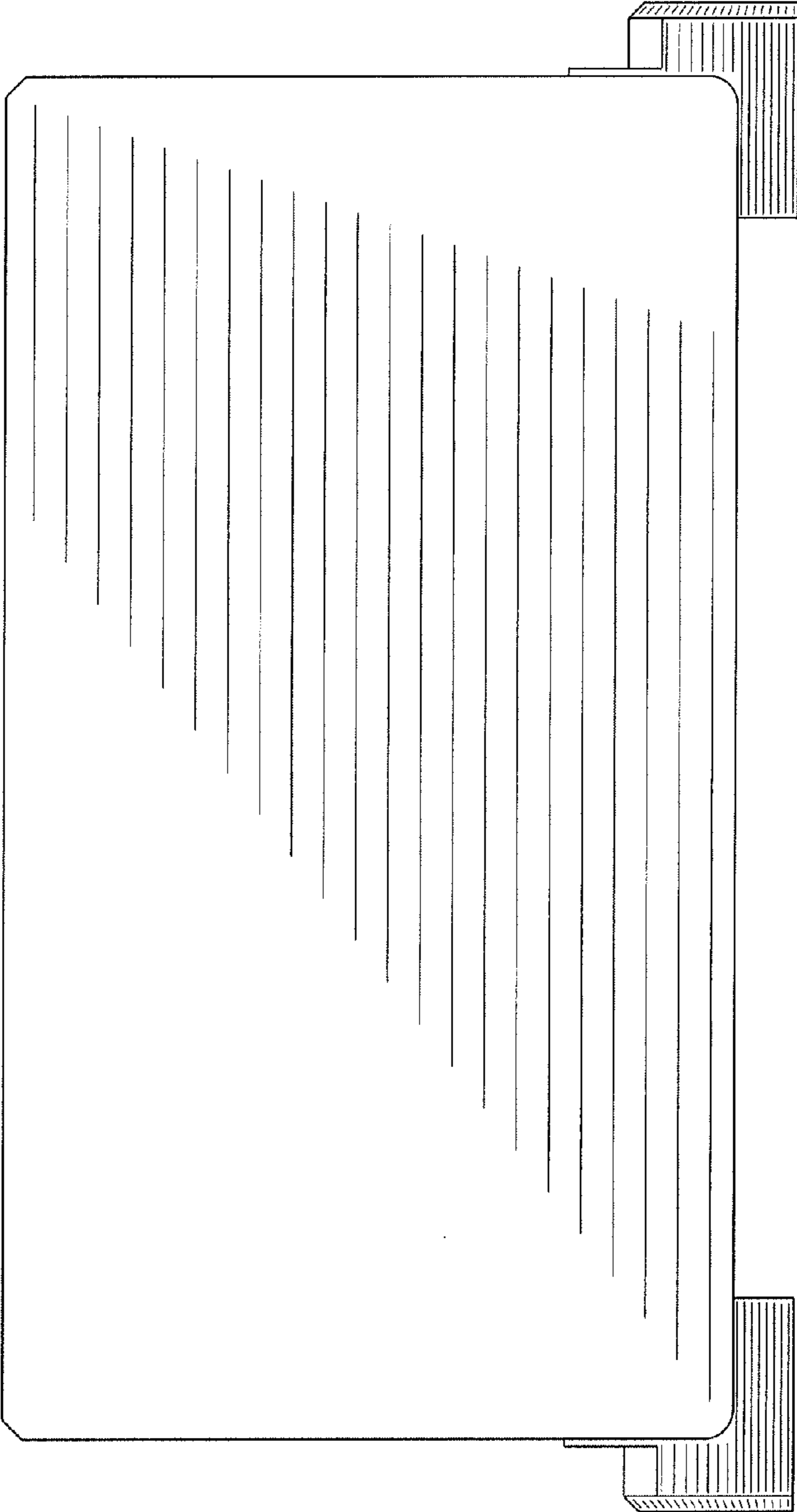


Fig. 3

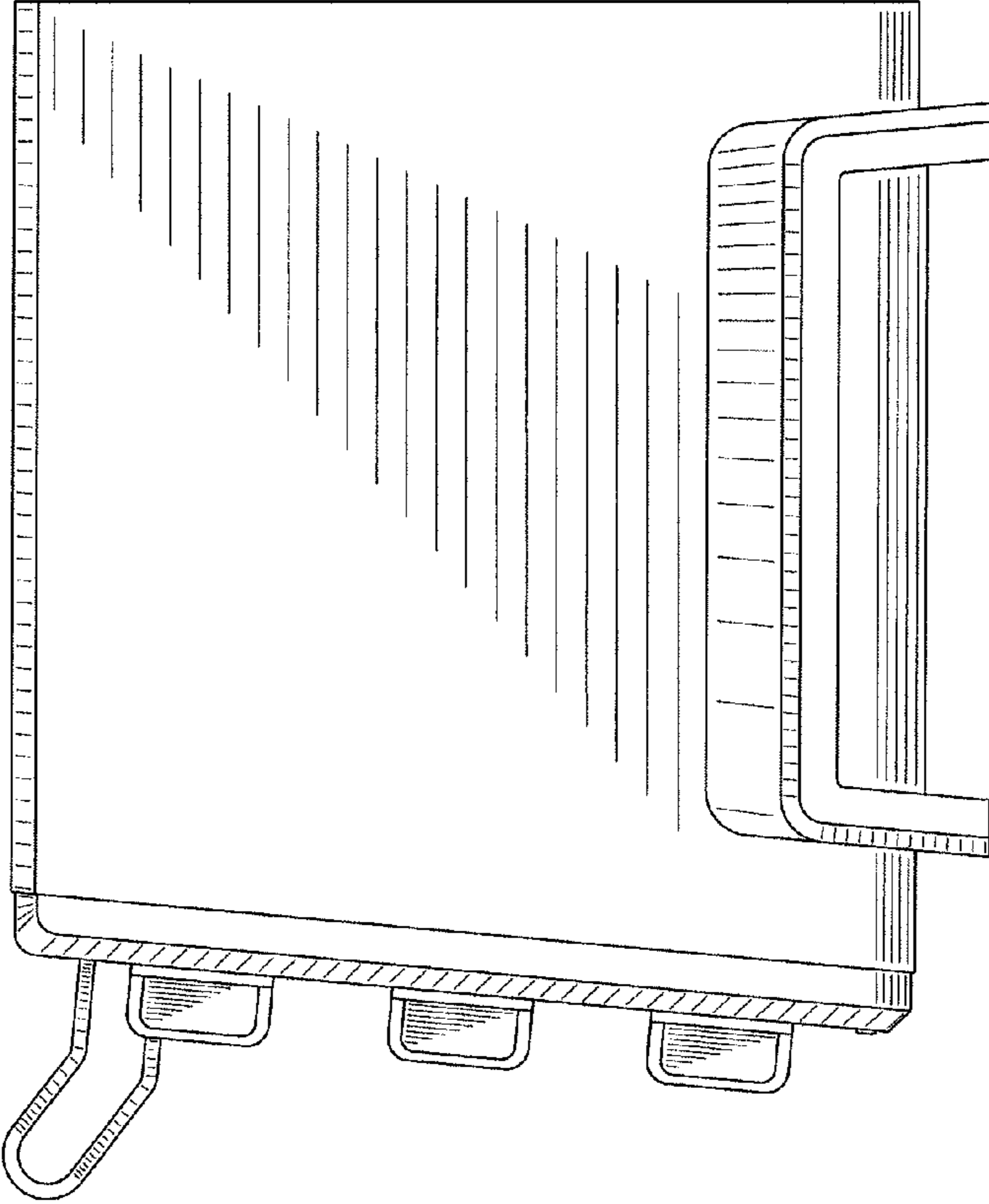


Fig. 4

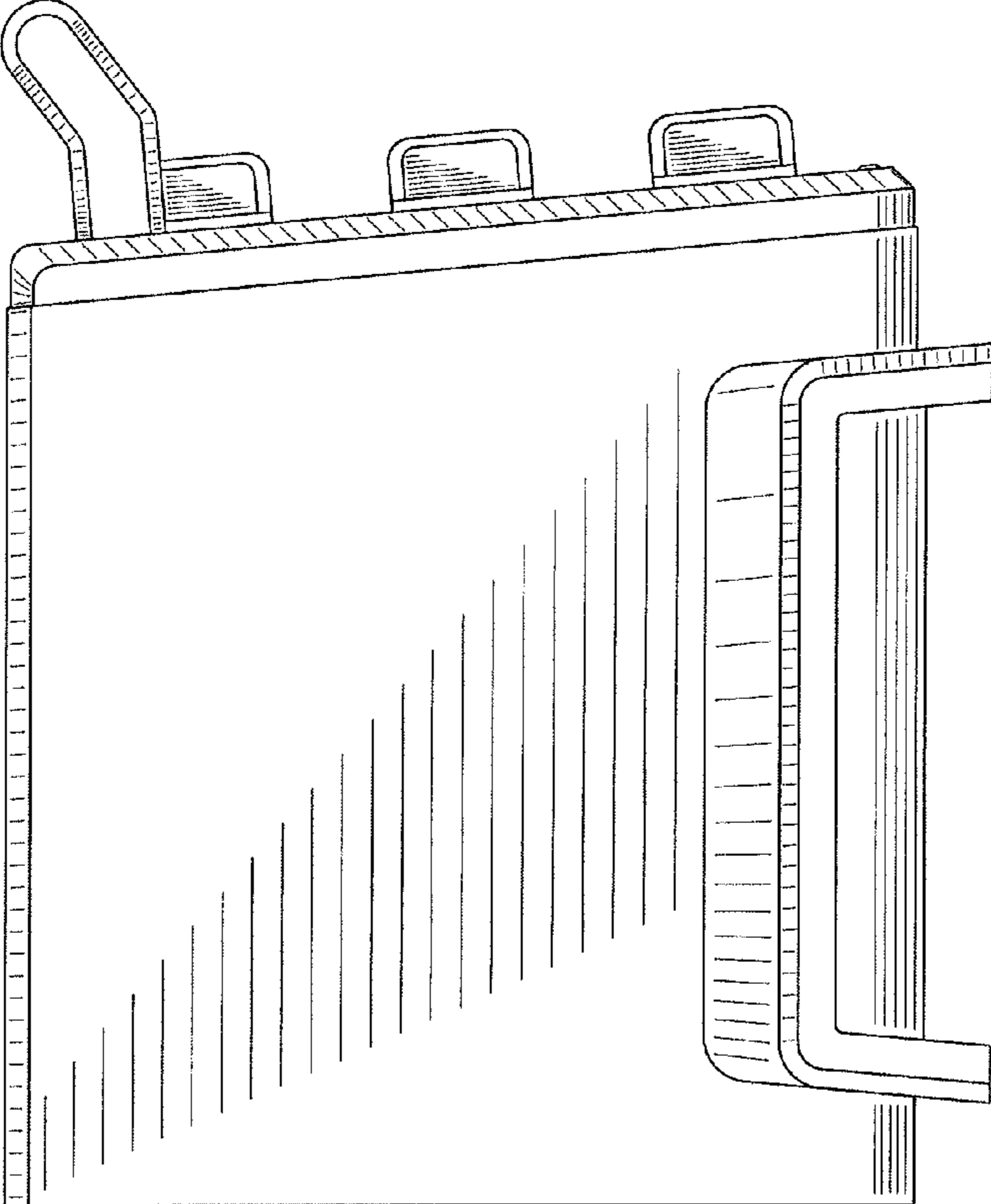


Fig. 5

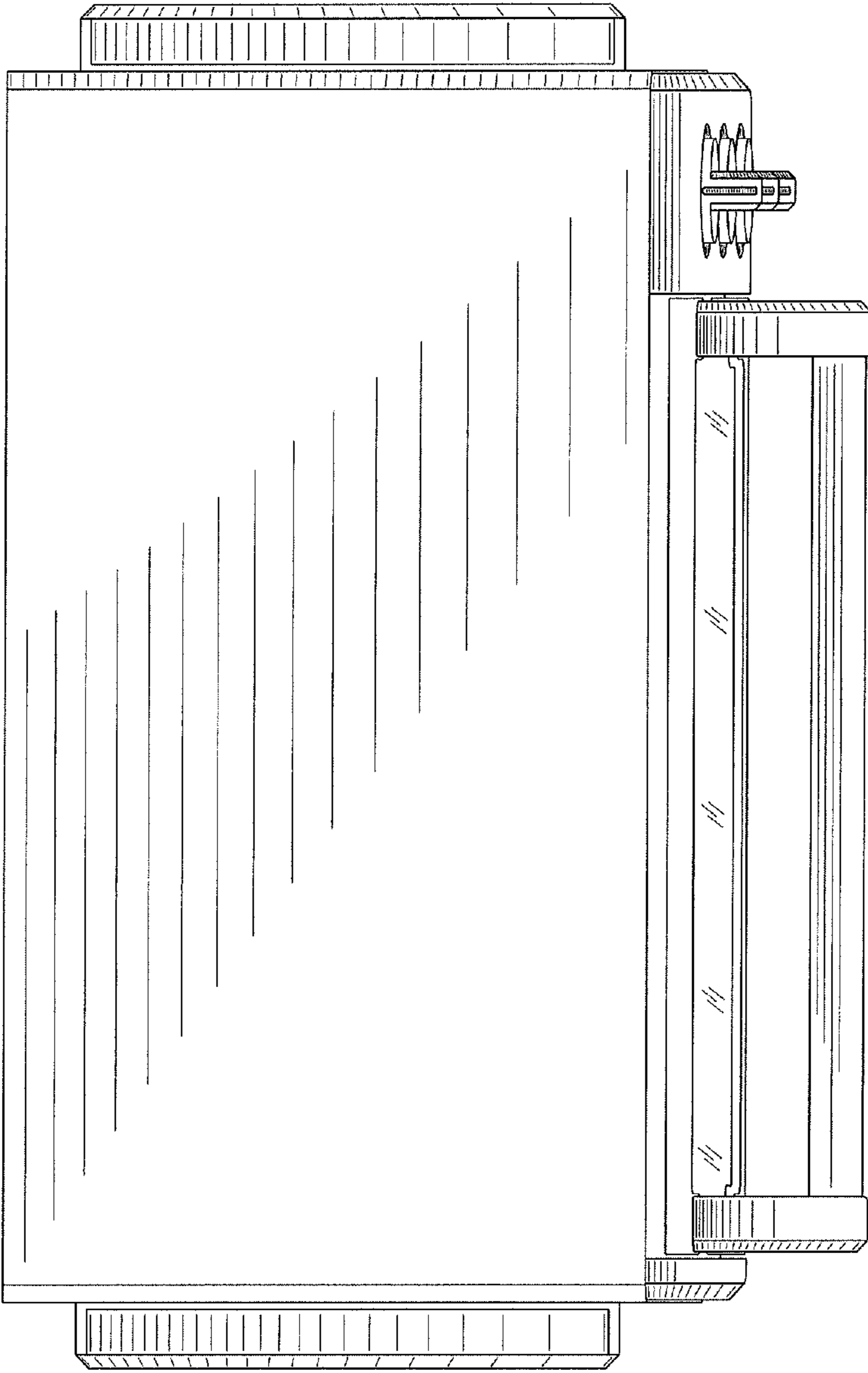


Fig. 6

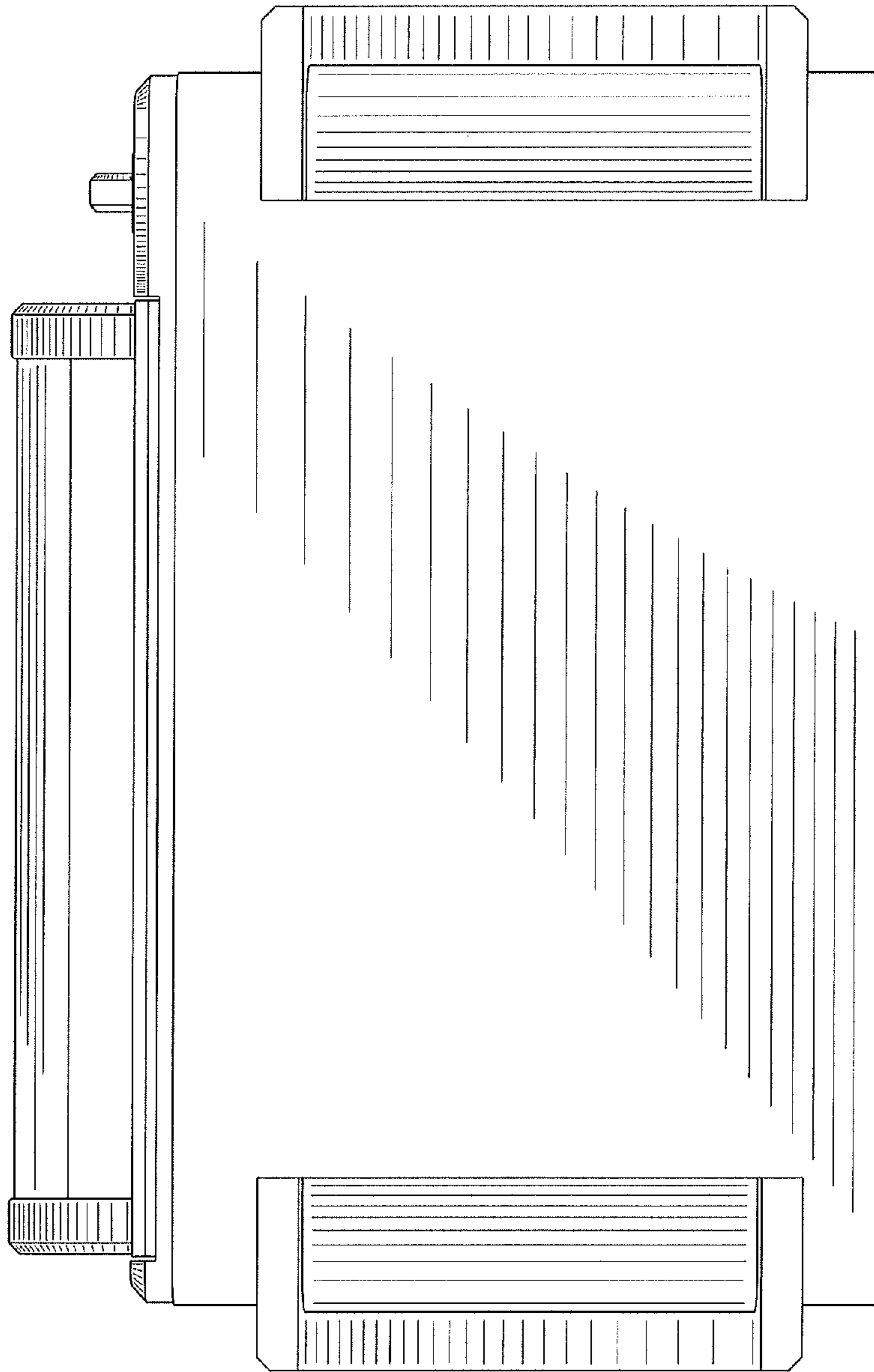


Fig. 7