



US00D672999S

(12) **United States Design Patent**
De' Longhi

(10) **Patent No.:** **US D672,999 S**

(45) **Date of Patent:** **** Dec. 25, 2012**

(54) **COFFEE MAKER**

(75) **Inventor:** **Giuseppe De' Longhi, Treviso (IT)**

(73) **Assignee:** **De'Longhi Appliances S.R.L. Con Unico Socio, Treviso (TV) (IT)**

(**) **Term:** **14 Years**

(21) **Appl. No.:** **29/398,247**

(22) **Filed:** **Jul. 28, 2011**

(30) **Foreign Application Priority Data**

Jul. 28, 2010 (EP) 001256911-0004

(51) **LOC (9) Cl.** **07-01**

(52) **U.S. Cl.** **D7/309; D7/311**

(58) **Field of Classification Search** D7/300,
D7/309-311, 306-308; 99/295, 300, 302
See application file for complete search history.

(56) **References Cited**

U.S. PATENT DOCUMENTS

D202,023	S	*	8/1965	Gordon	D7/308
3,445,039	A	*	5/1969	Corini et al.	222/640
D408,206	S	*	4/1999	Stafford et al.	D7/306
D584,096	S	*	1/2009	Lutz	D7/307

D595,991	S	*	7/2009	Zimmerman	D7/307
D610,389	S	*	2/2010	Borin et al.	D7/309
D645,109	S	*	9/2011	Schauffele	D21/793
D645,695	S	*	9/2011	Zoppellari	D7/309
D646,518	S	*	10/2011	De' Longhi	D7/309
D647,356	S	*	10/2011	De' Longhi	D7/309
D648,972	S	*	11/2011	Buttler	D7/309
D648,973	S	*	11/2011	De' Longhi	D7/309
D663,566	S	*	7/2012	Feder	D7/309

* cited by examiner

Primary Examiner — Marianne Pandozzi

(74) *Attorney, Agent, or Firm* — Eckert Seamans Cherin & Mellott, LLC; Carol A. Marmo

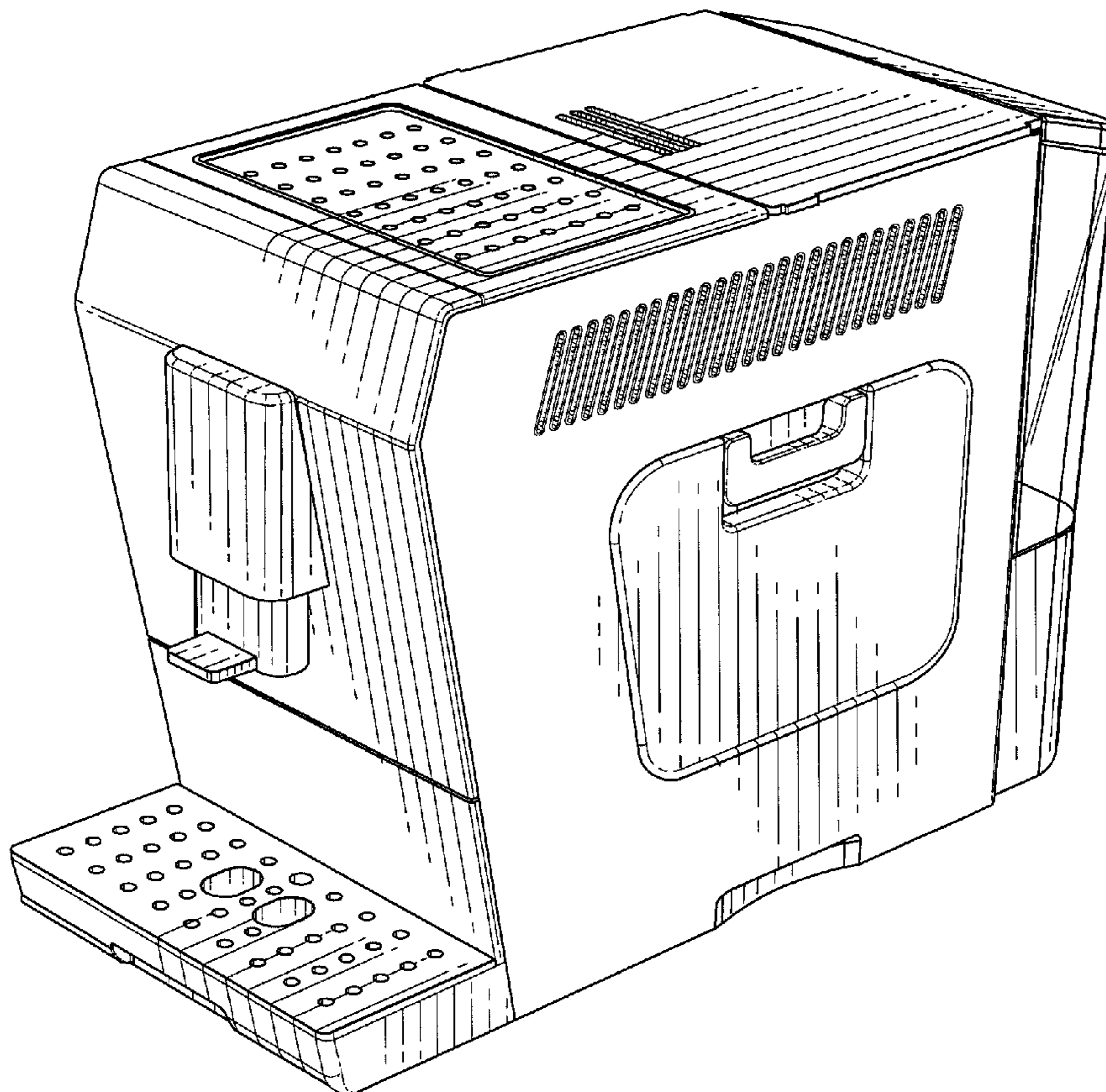
(57) **CLAIM**

The ornamental design for coffee maker, as shown and described.

DESCRIPTION

FIG. 1 is a top perspective view of a coffee maker showing my new design;
FIG. 2 is a front elevational view of the coffee maker;
FIG. 3 is a rear elevational view of the coffee maker;
FIG. 4 is a right side elevational view of the coffee maker;
FIG. 5 is a left side elevational view of the coffee maker;
FIG. 6 is a top plan view of the coffee maker; and,
FIG. 7 is a bottom plan view of the coffee maker.

1 Claim, 7 Drawing Sheets



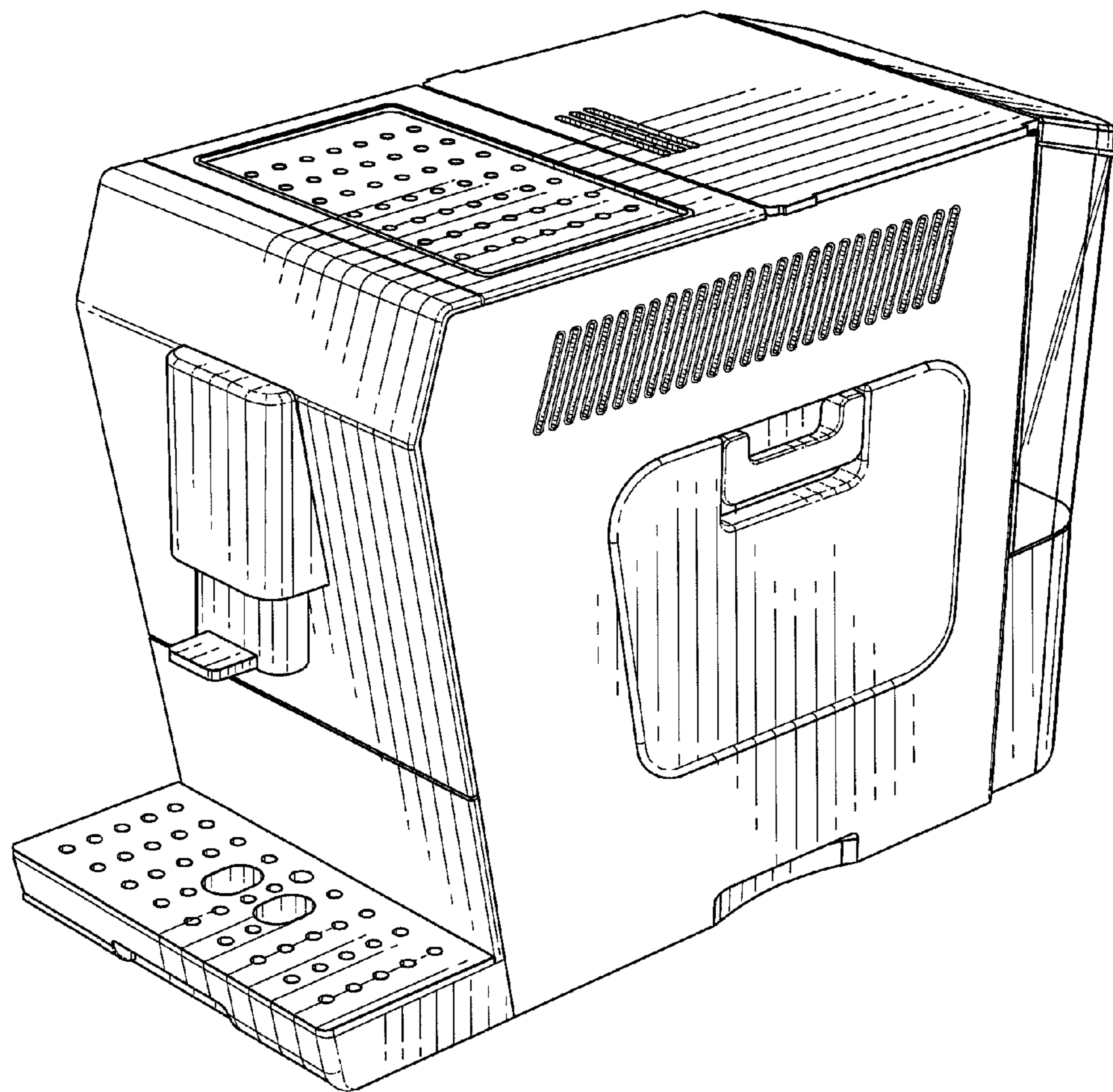


FIG. 1

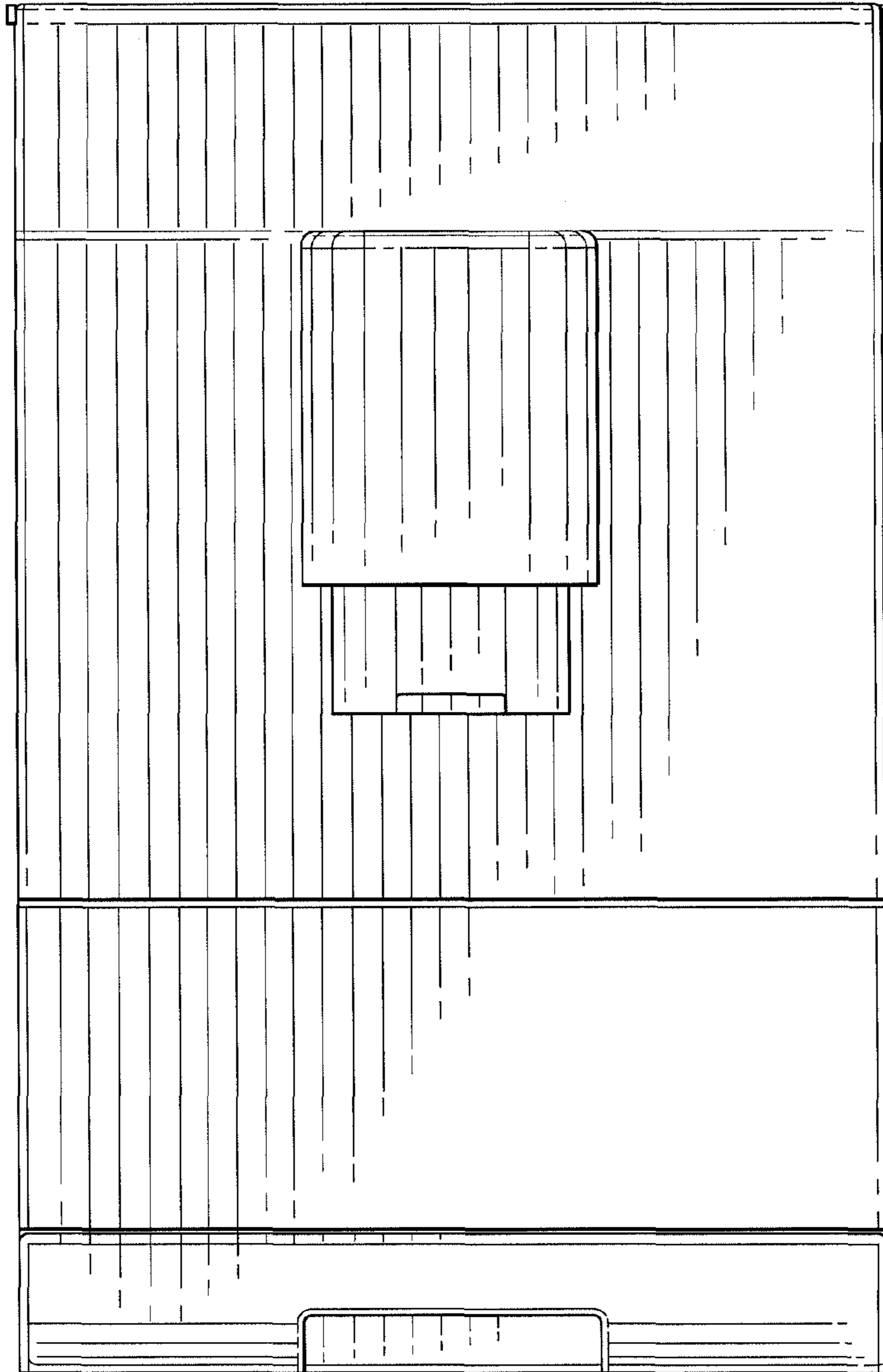


FIG. 2

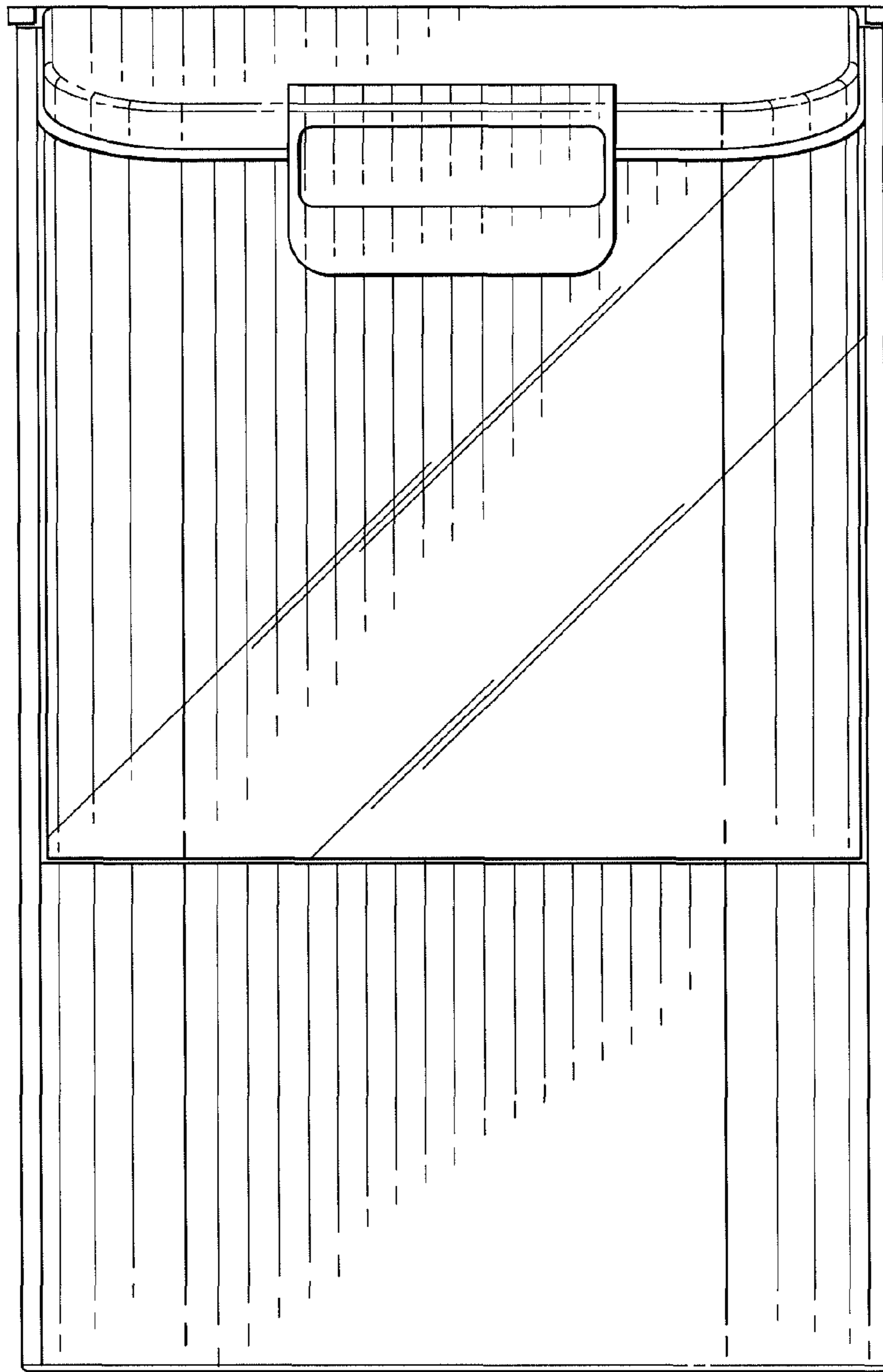


FIG. 3

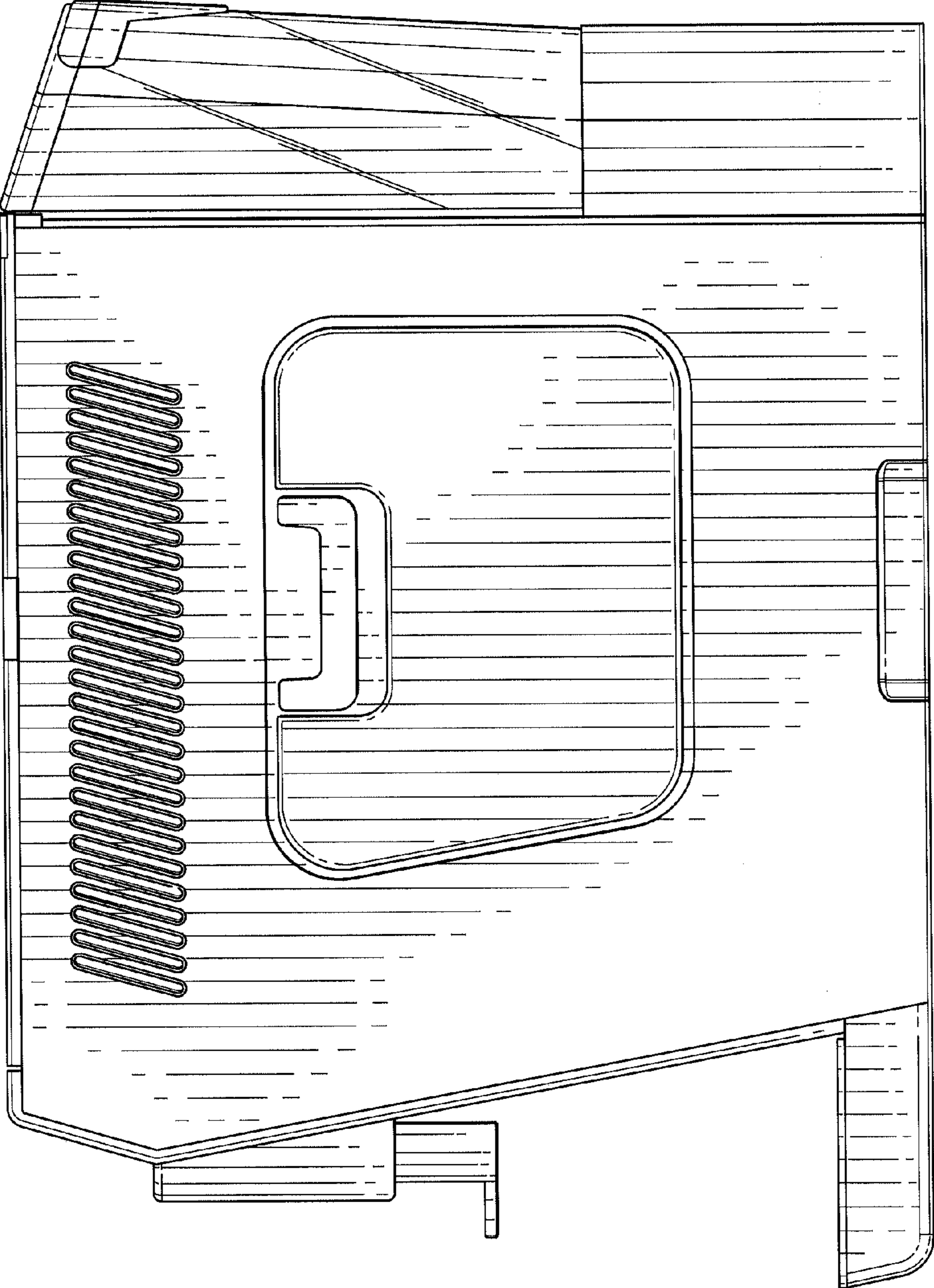


FIG. 4

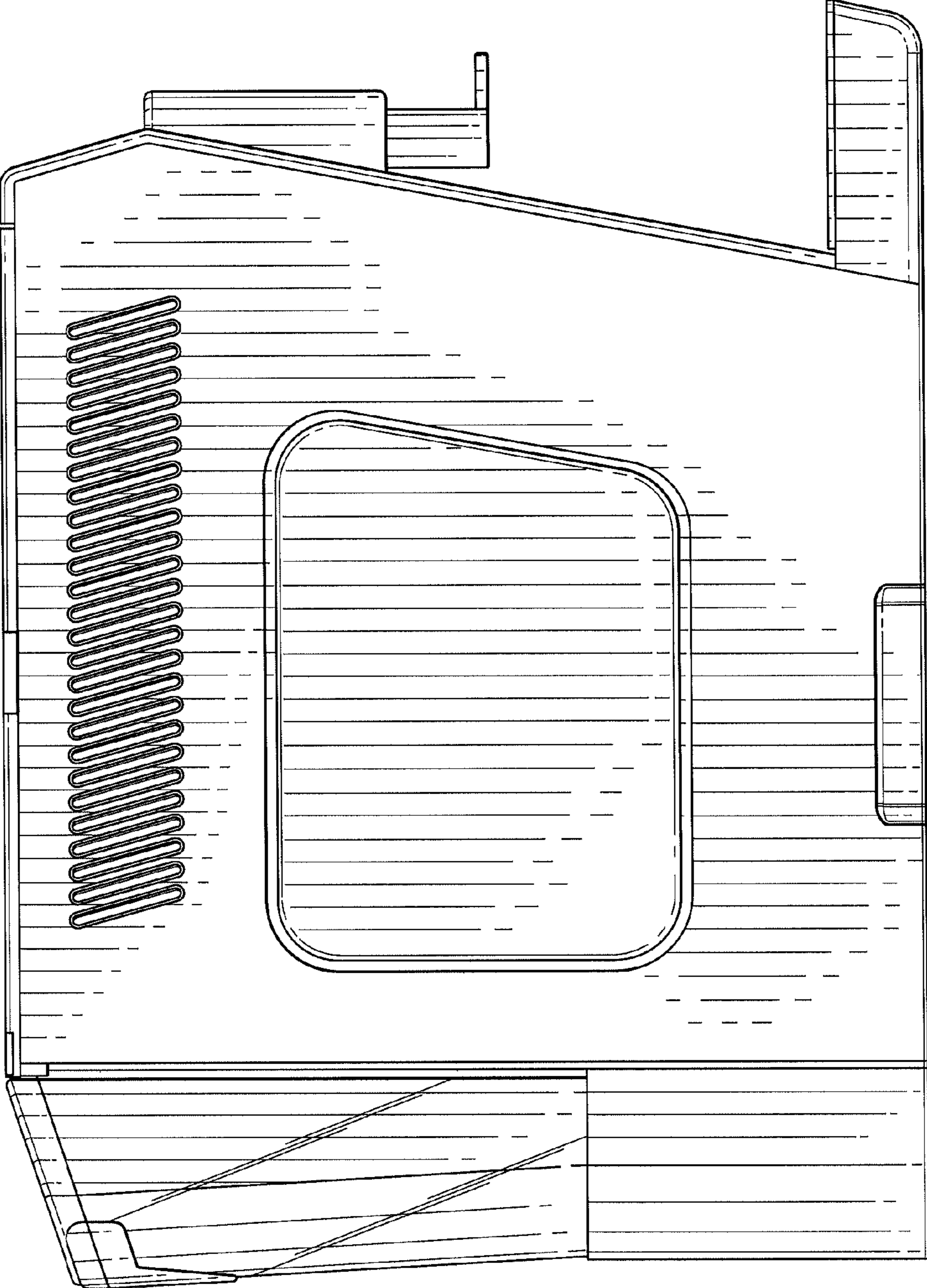


FIG. 5

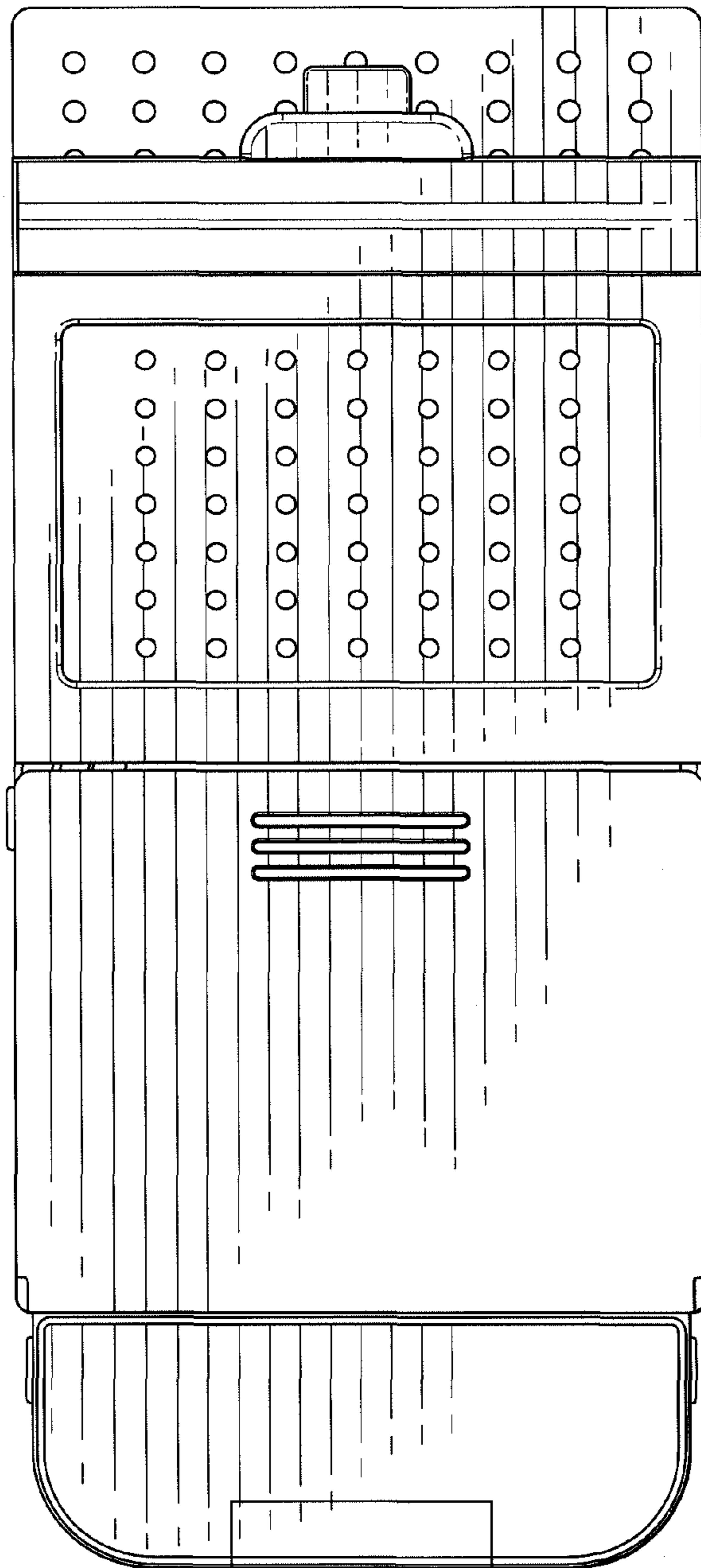


FIG. 6

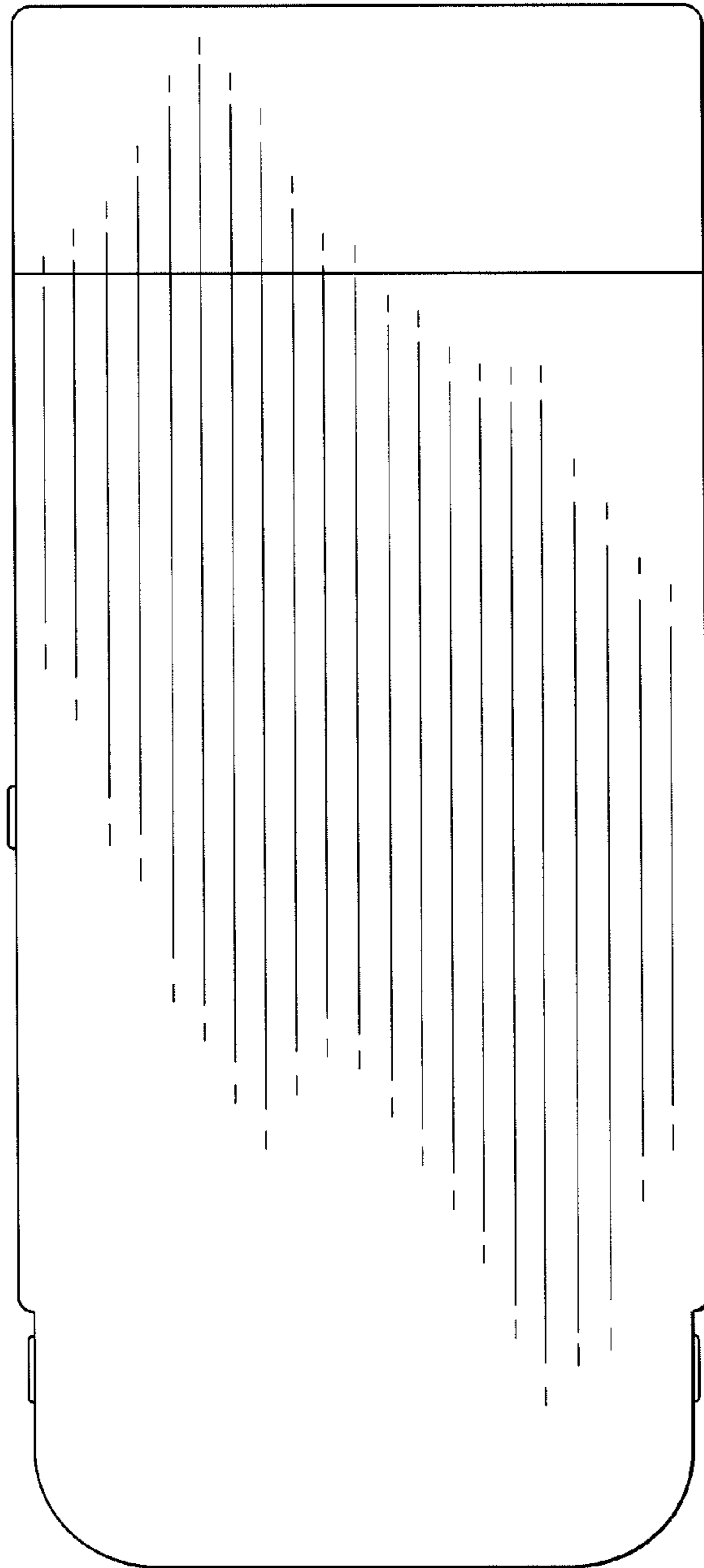


FIG. 7