



US00D672998S

(12) **United States Design Patent**  
**Bonetto**

(10) **Patent No.:** **US D672,998 S**

(45) **Date of Patent:** **\*\* Dec. 25, 2012**

(54) **COFFEE MAKER**

(75) Inventor: **Marco Bonetto**, Assago (IT)

(73) Assignee: **Rancilio Group S.p.A.**, Milan (IT)

(\*\*) Term: **14 Years**

(21) Appl. No.: **29/392,170**

(22) Filed: **May 18, 2011**

(30) **Foreign Application Priority Data**

Nov. 26, 2010 (EM) ..... 001786419-0001

(51) **LOC (9) Cl.** ..... **07-01**

(52) **U.S. Cl.** ..... **D7/309; D7/311; D7/308**

(58) **Field of Classification Search** ..... D7/300,  
D7/309-311, 308, 307; 99/280, 279, 284,  
99/290

See application file for complete search history.

(56) **References Cited**

**U.S. PATENT DOCUMENTS**

D395,975 S \* 7/1998 Munoz ..... D7/308  
D476,842 S \* 7/2003 Cortese ..... D7/309  
D497,510 S \* 10/2004 Comorera Ivanov ..... D7/307  
6,862,978 B1 \* 3/2005 Fogagnolo ..... 99/279

D550,498 S \* 9/2007 Vicente Seguer ..... D7/309  
D551,487 S \* 9/2007 Beretta ..... D7/309  
D573,393 S \* 7/2008 Trazzi ..... D7/309  
D589,739 S \* 4/2009 Giugiaro ..... D7/309  
D592,003 S \* 5/2009 Giugiaro ..... D7/309  
D640,083 S \* 6/2011 Davenport ..... D7/309

\* cited by examiner

*Primary Examiner* — Marianne Pandozzi

(74) *Attorney, Agent, or Firm* — Wenderoth, Lind & Ponack,  
L.L.P.

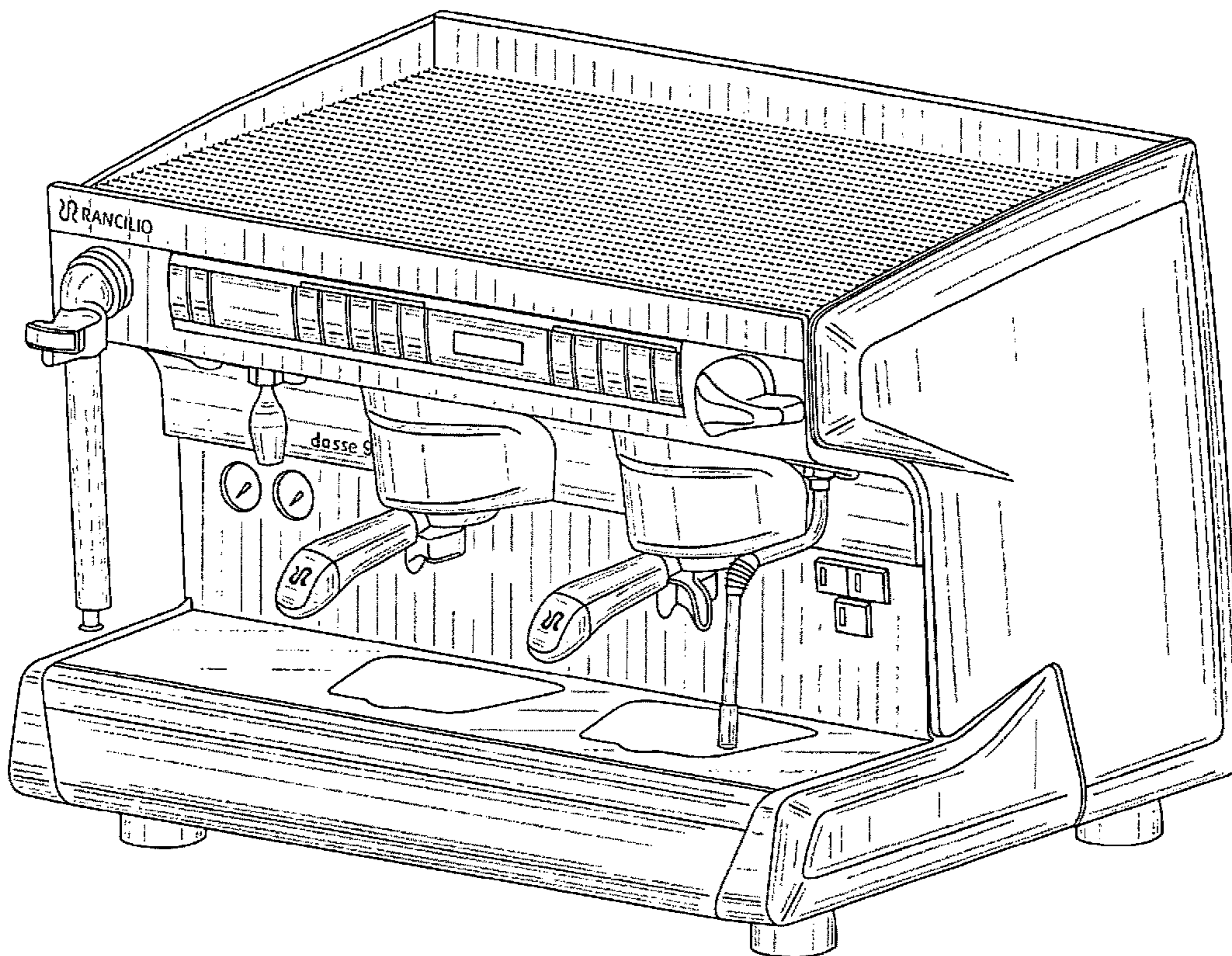
(57) **CLAIM**

The ornamental design for a coffee maker, as shown and described.

**DESCRIPTION**

FIG. 1 is a front view of a coffee maker;  
FIG. 2 is a left side view thereof;  
FIG. 3 is a right side view thereof;  
FIG. 4 is a rear view thereof;  
FIG. 5 is a top view thereof;  
FIG. 6 is a bottom view thereof;  
FIG. 7 is a front perspective view thereof; and,  
FIG. 8 is a rear perspective view thereof.  
The portions of the drawings shown in broken lines form no part of the claimed design.

**1 Claim, 8 Drawing Sheets**



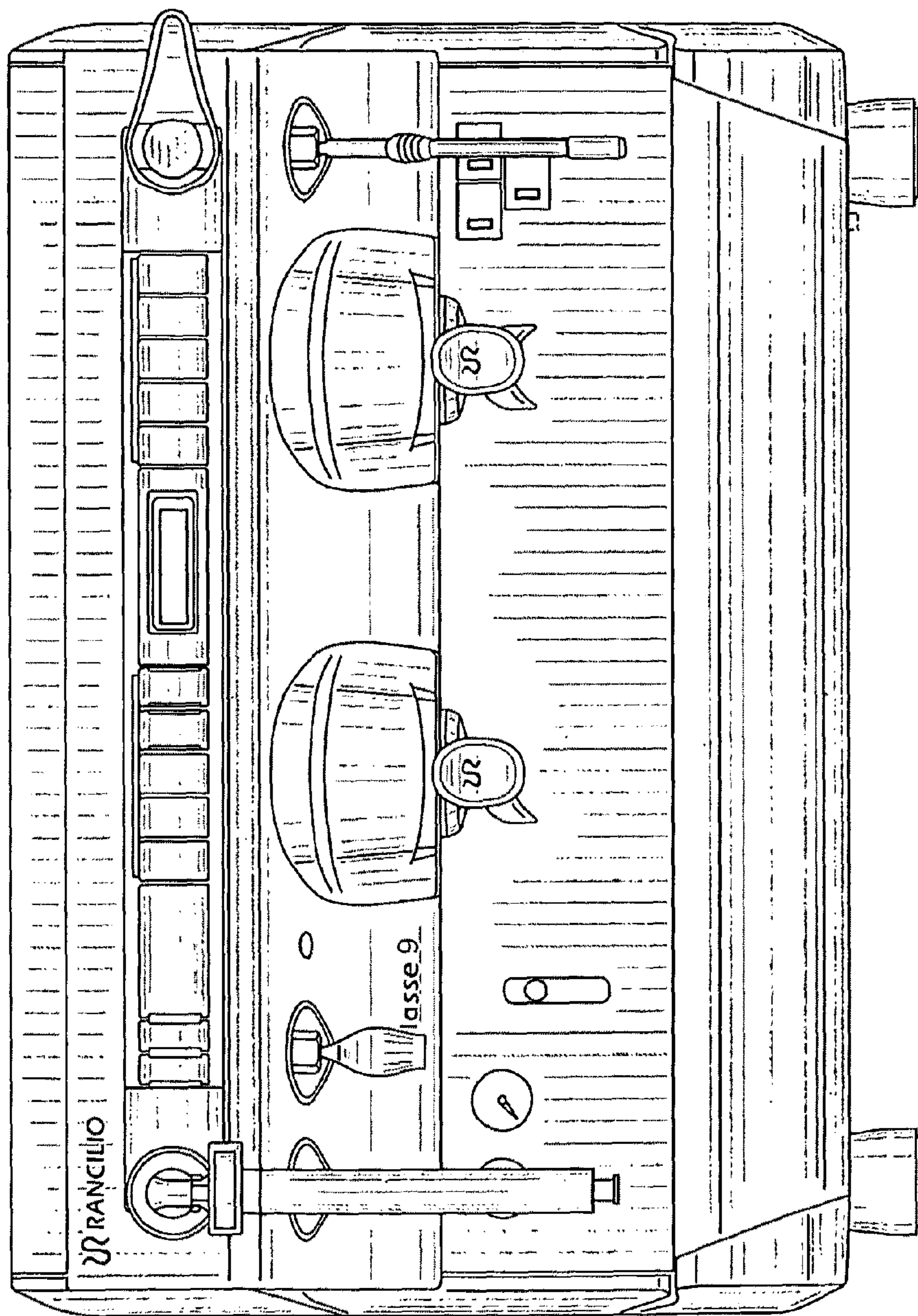
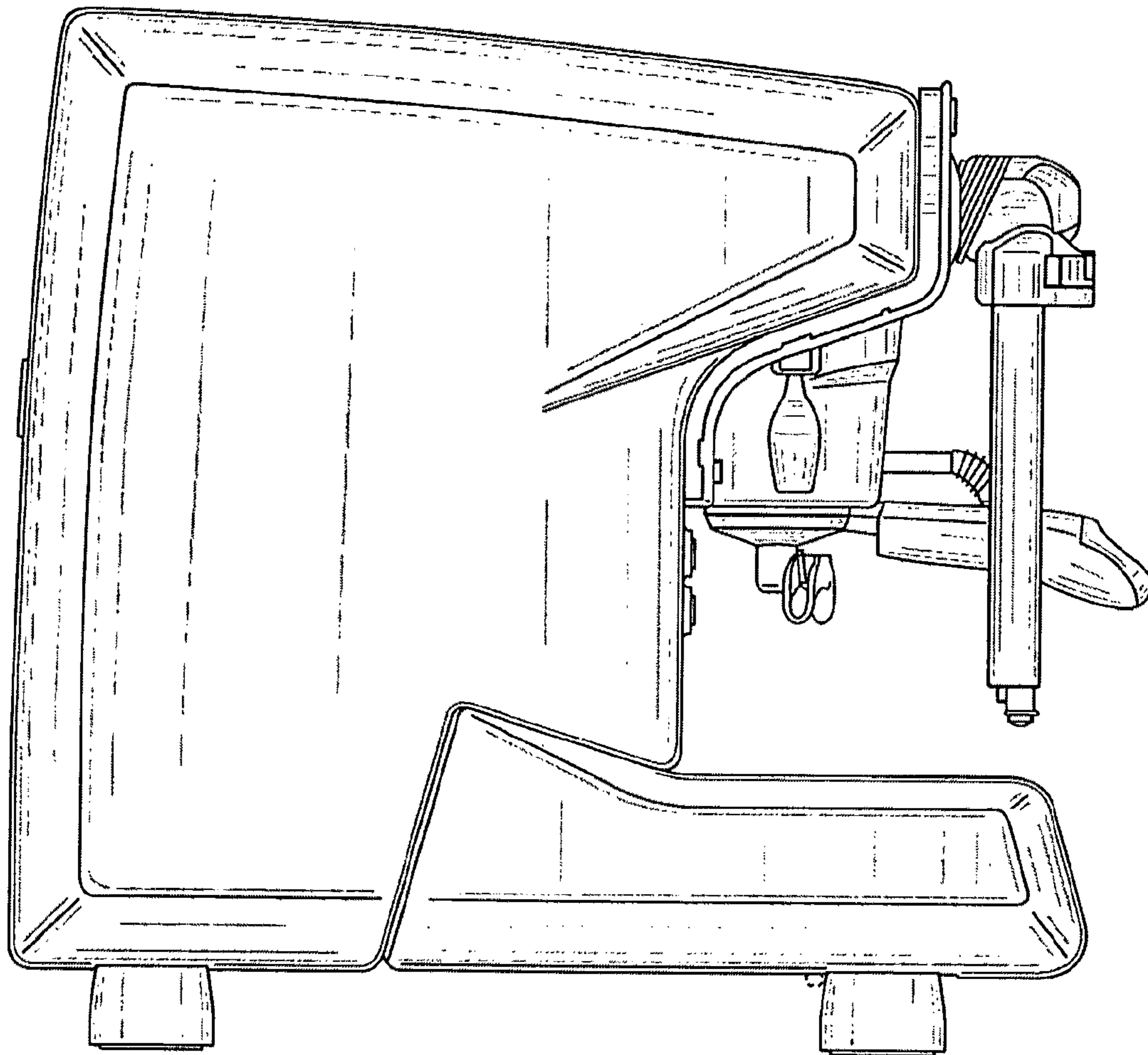
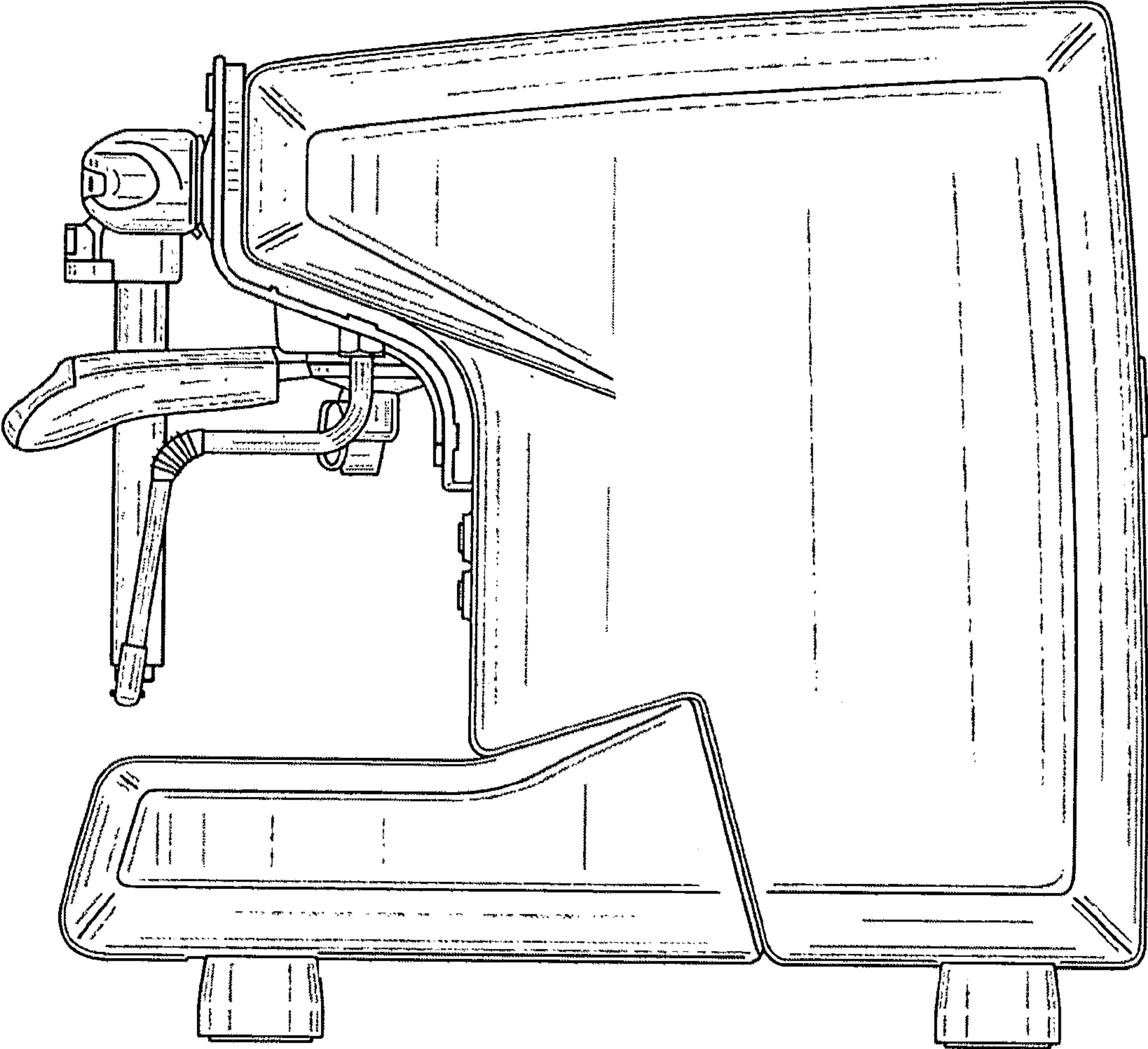


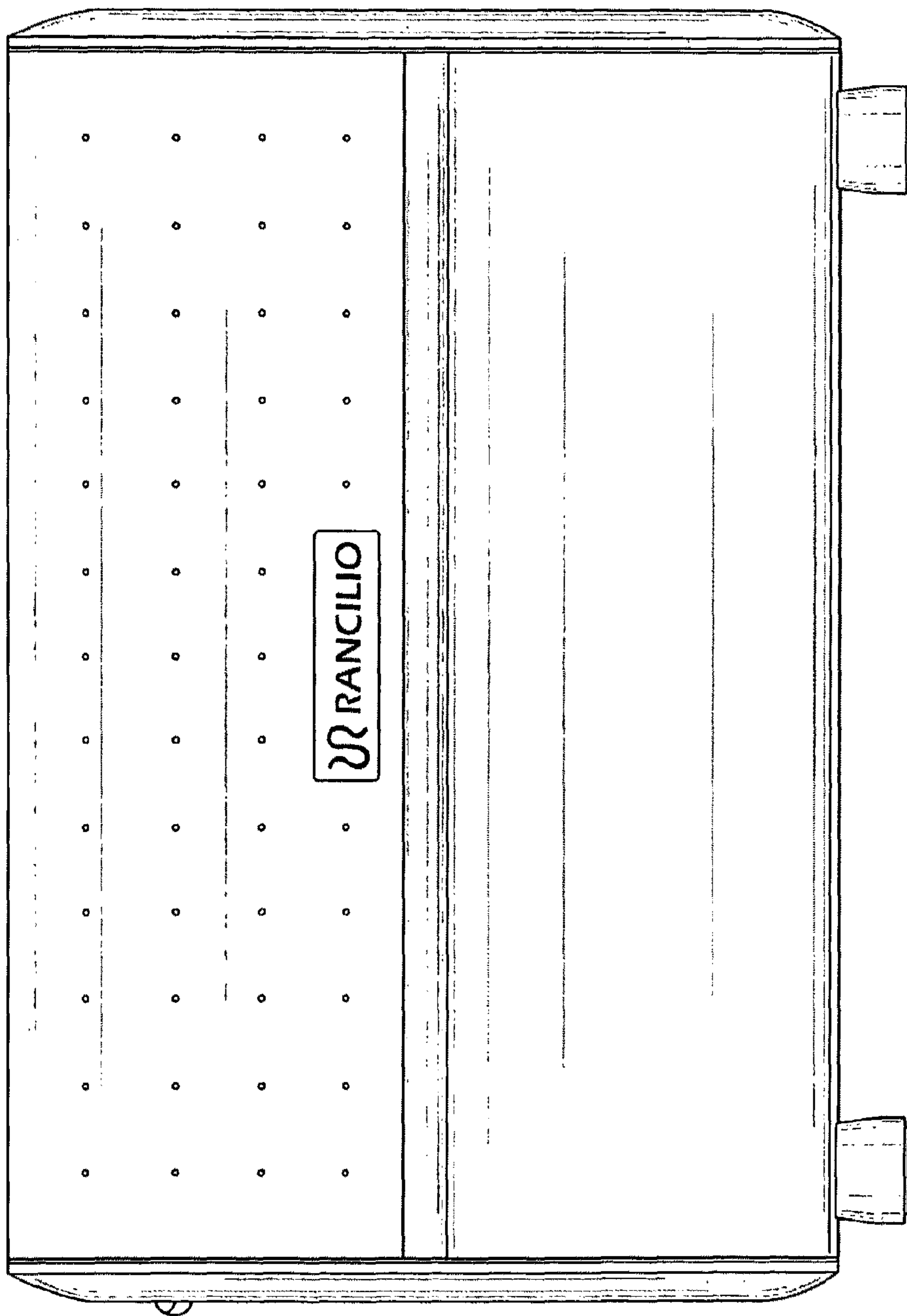
FIG. 1



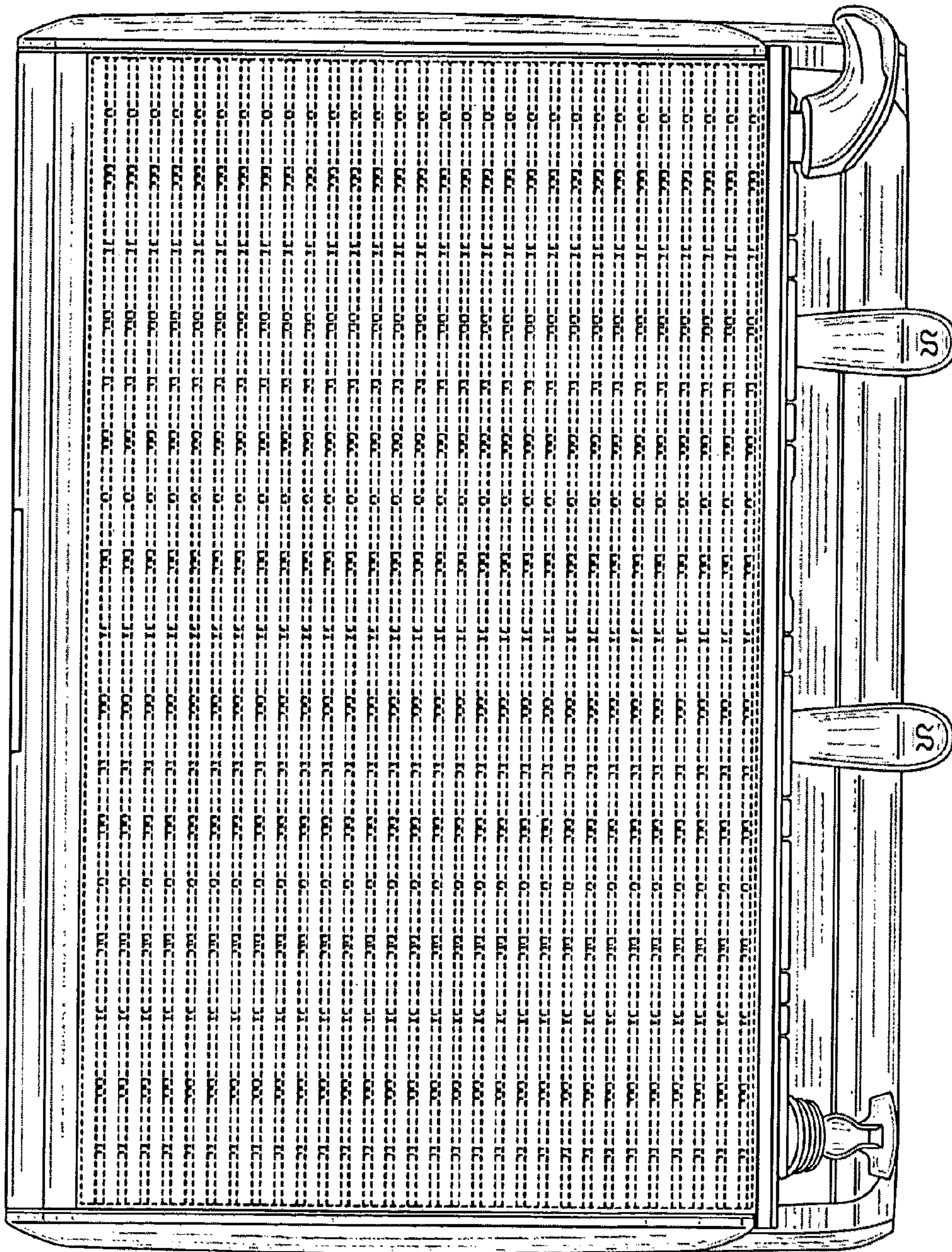
**FIG. 2**



**FIG. 3**



**FIG. 4**



**FIG. 5**

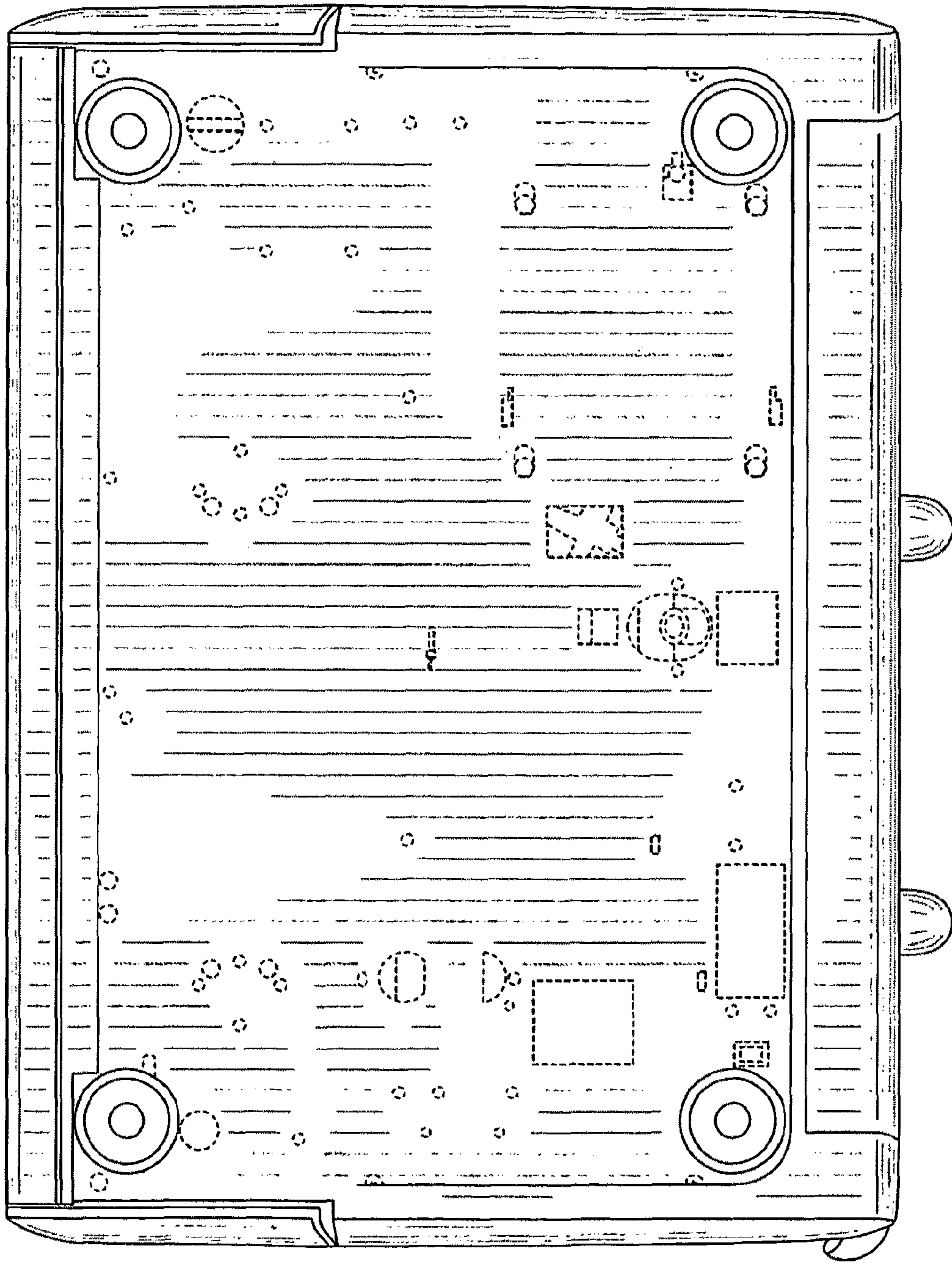


FIG. 6

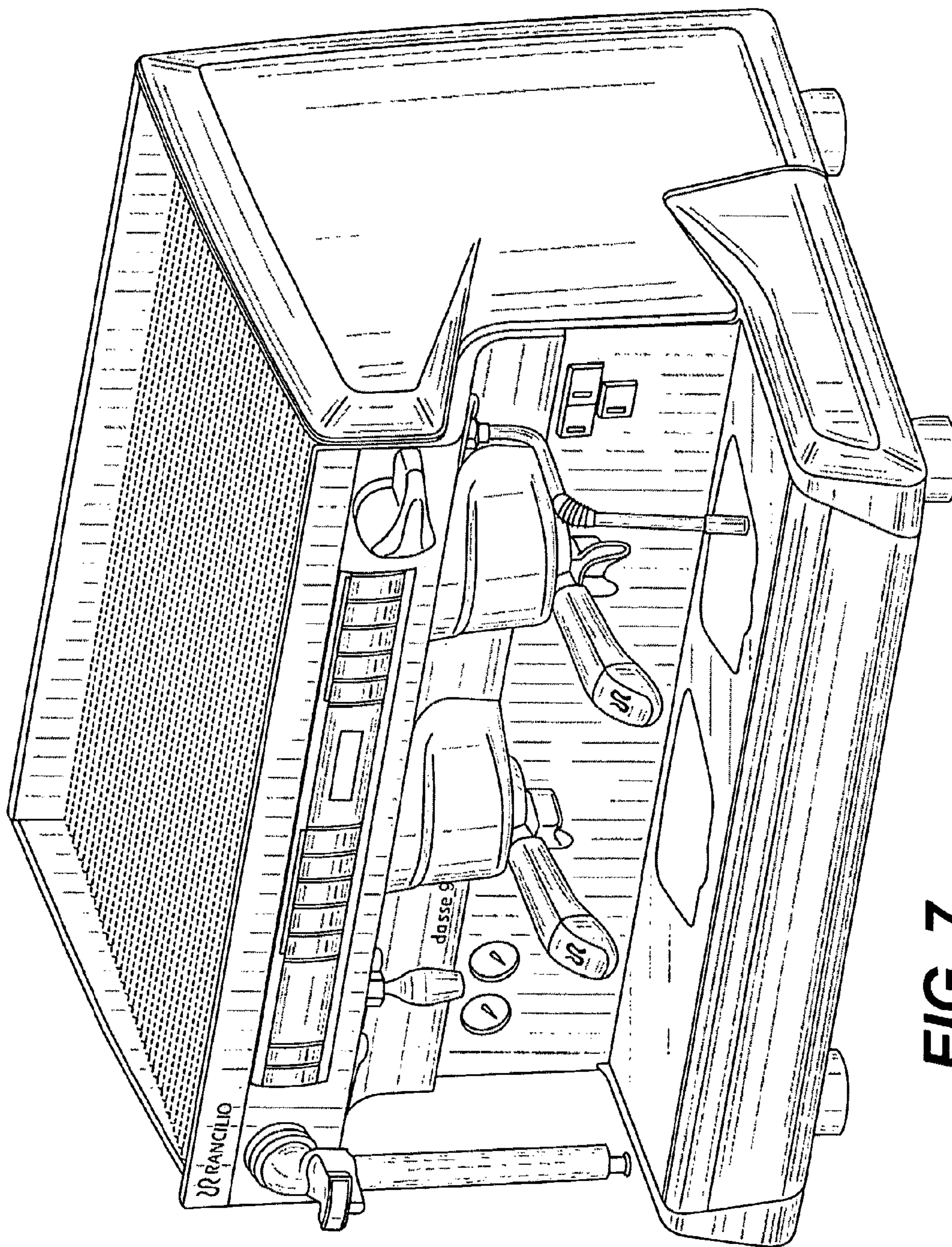


FIG. 7



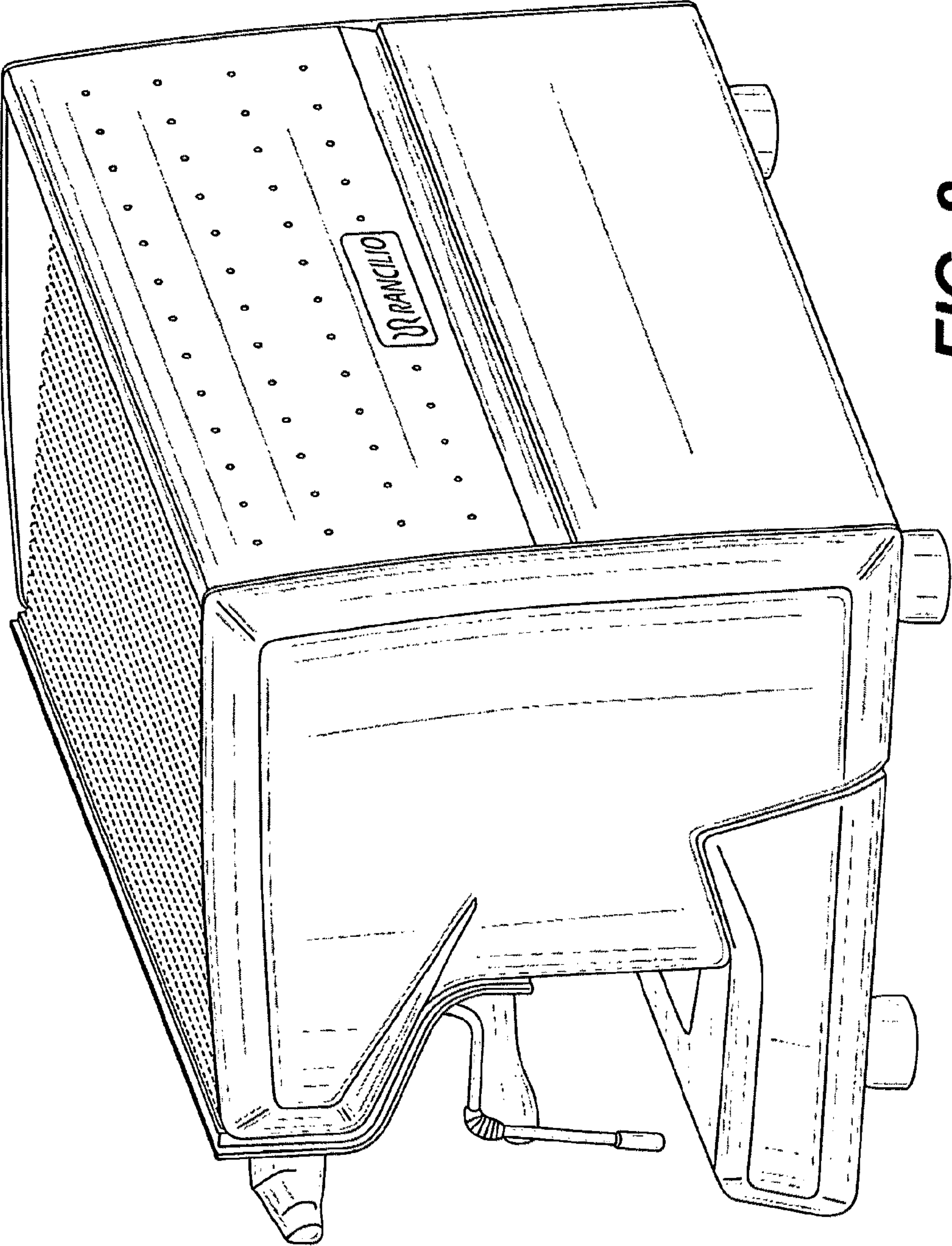


FIG. 8