

US00D672997S

(12) **United States Design Patent**  
**Paschke et al.**

(10) **Patent No.:** **US D672,997 S**

(45) **Date of Patent:** **\*\* Dec. 25, 2012**

(54) **COVER FOR UPPER PORTION OF A CHAIR**

(76) Inventors: **Orville Paschke**, Piscayune, MS (US);  
**Jeanette Paschke**, Piscayune, MS (US)

(\*\*) Term: **14 Years**

(21) Appl. No.: **29/422,182**

(22) Filed: **May 17, 2012**

(51) **LOC (9) Cl.** ..... **06-13**

(52) **U.S. Cl.** ..... **D6/611**

(58) **Field of Classification Search** ..... D6/610,  
D6/611, 596, 601, 602, 603, 615, 617, 621;  
D7/332, 334-337; D12/401-405; 135/87,  
135/88.01, 95; 150/165-167, 158, 154; 280/770;  
296/136.01, 136.1, 136.11  
See application file for complete search history.

(56) **References Cited**

**U.S. PATENT DOCUMENTS**

D370,047 S *	5/1996	Eberhard	.....	D22/138
5,533,219 A *	7/1996	Meyers	.....	5/653
D380,118 S *	6/1997	Ford	.....	D6/601
D391,434 S *	3/1998	Denney et al.	.....	D6/596
D517,848 S *	3/2006	Contreras	.....	D6/596

D540,605 S *	4/2007	McHale et al.	.....	D6/601
D554,424 S *	11/2007	Sandey et al.	.....	D6/612
D582,712 S *	12/2008	Koval et al.	.....	D6/601
D586,168 S *	2/2009	Smith, Jr.	.....	D6/611
7,516,500 B2 *	4/2009	Akkad	.....	5/419
D634,152 S *	3/2011	Nafkin	.....	D6/611
2009/0151827 A1 *	6/2009	Thompson	.....	150/154

\* cited by examiner

*Primary Examiner* — Katrina A Betton

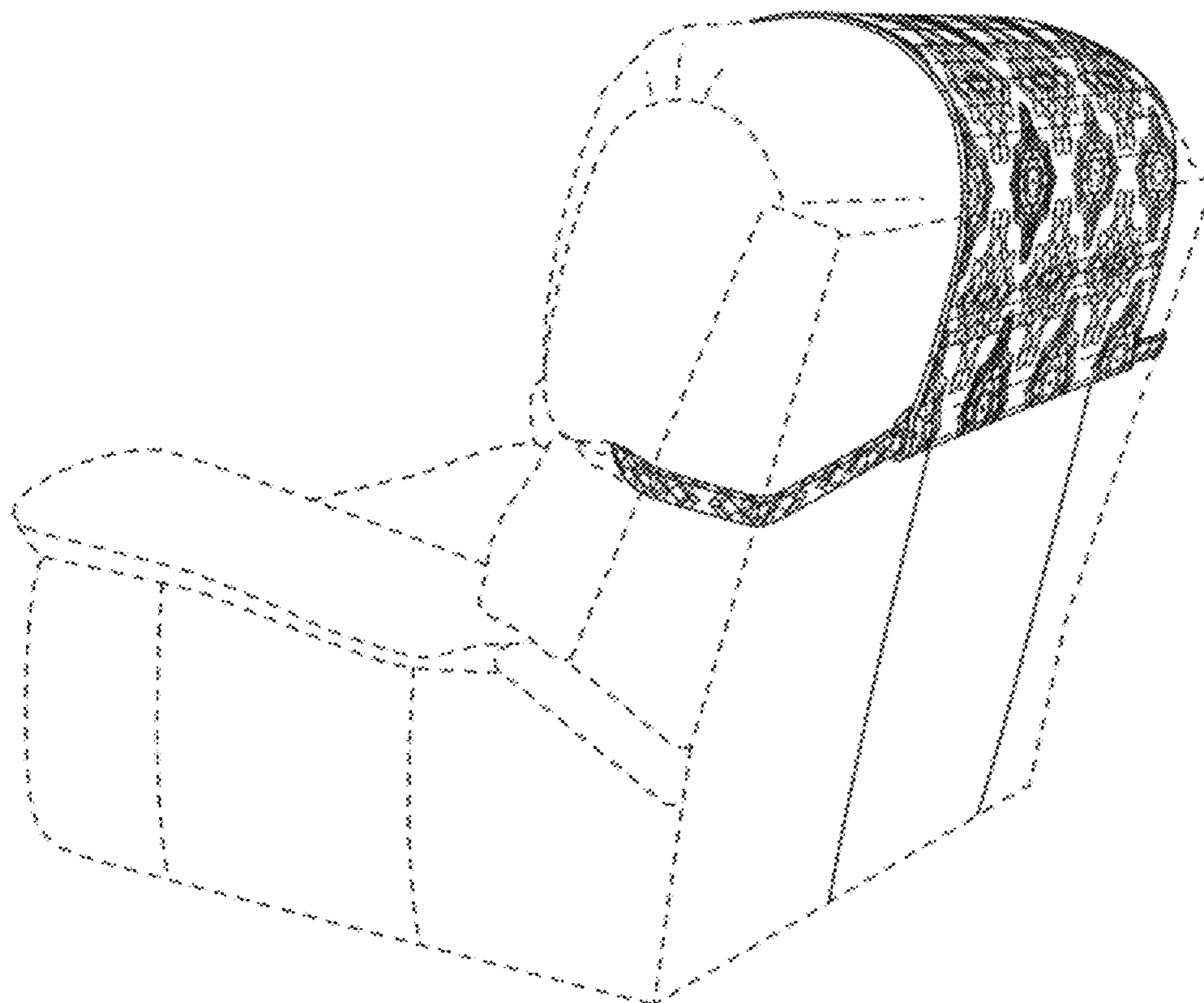
(57) **CLAIM**

The ornamental design for a cover for upper portion of a chair, as shown and described.

**DESCRIPTION**

FIG. 1 is a left rear perspective view of the present invention; and  
FIG. 2 is a rear view of the present invention; and  
FIG. 3 is a front view of the present invention; and  
FIG. 4 is a left side view of the present invention; and  
FIG. 5 is a right side view of the present invention.  
The broken lines showing of parts of the drawings is included for the purpose of illustrating use and environment and forms no part of the claimed design.

**1 Claim, 3 Drawing Sheets**



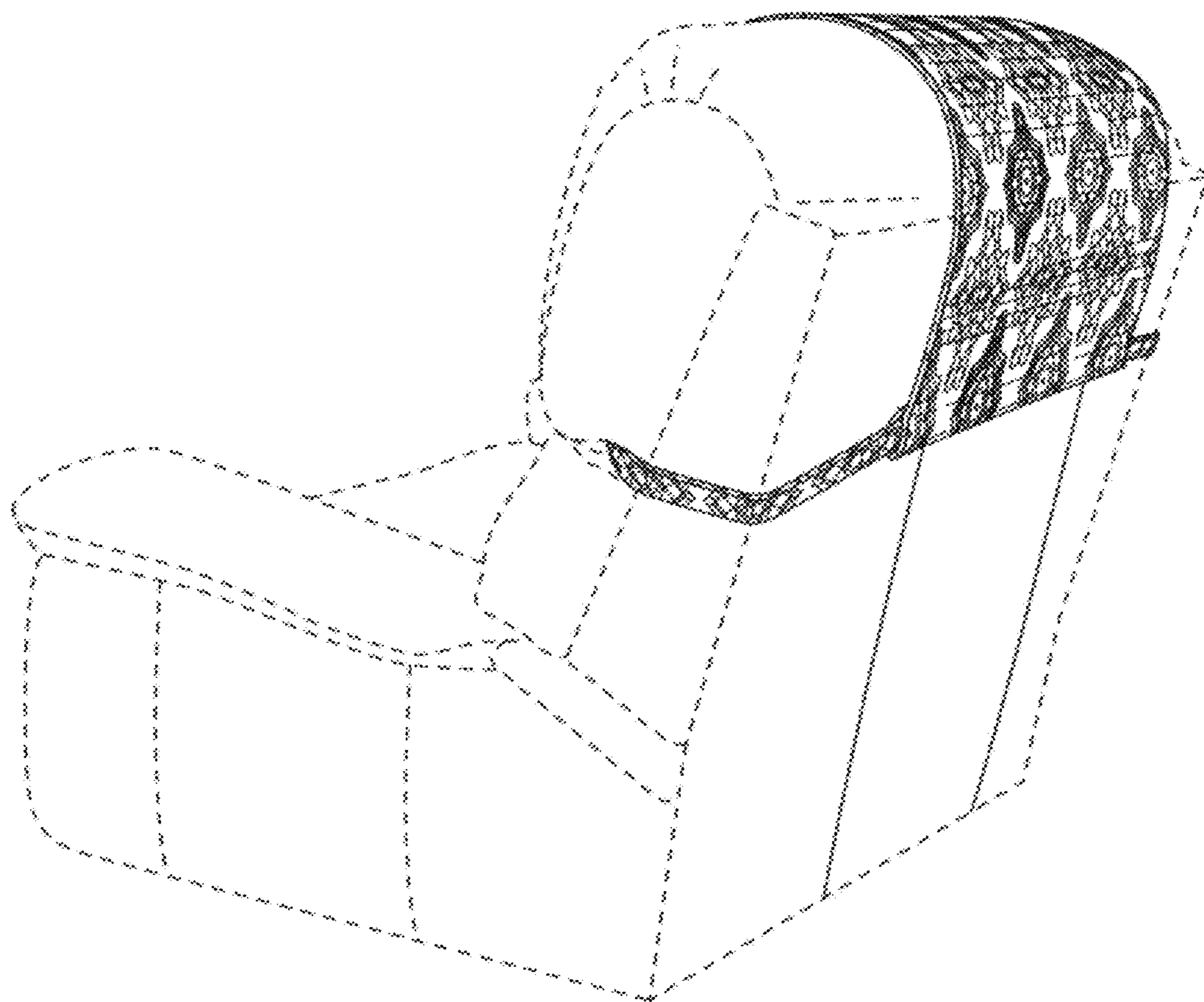


FIG. 1

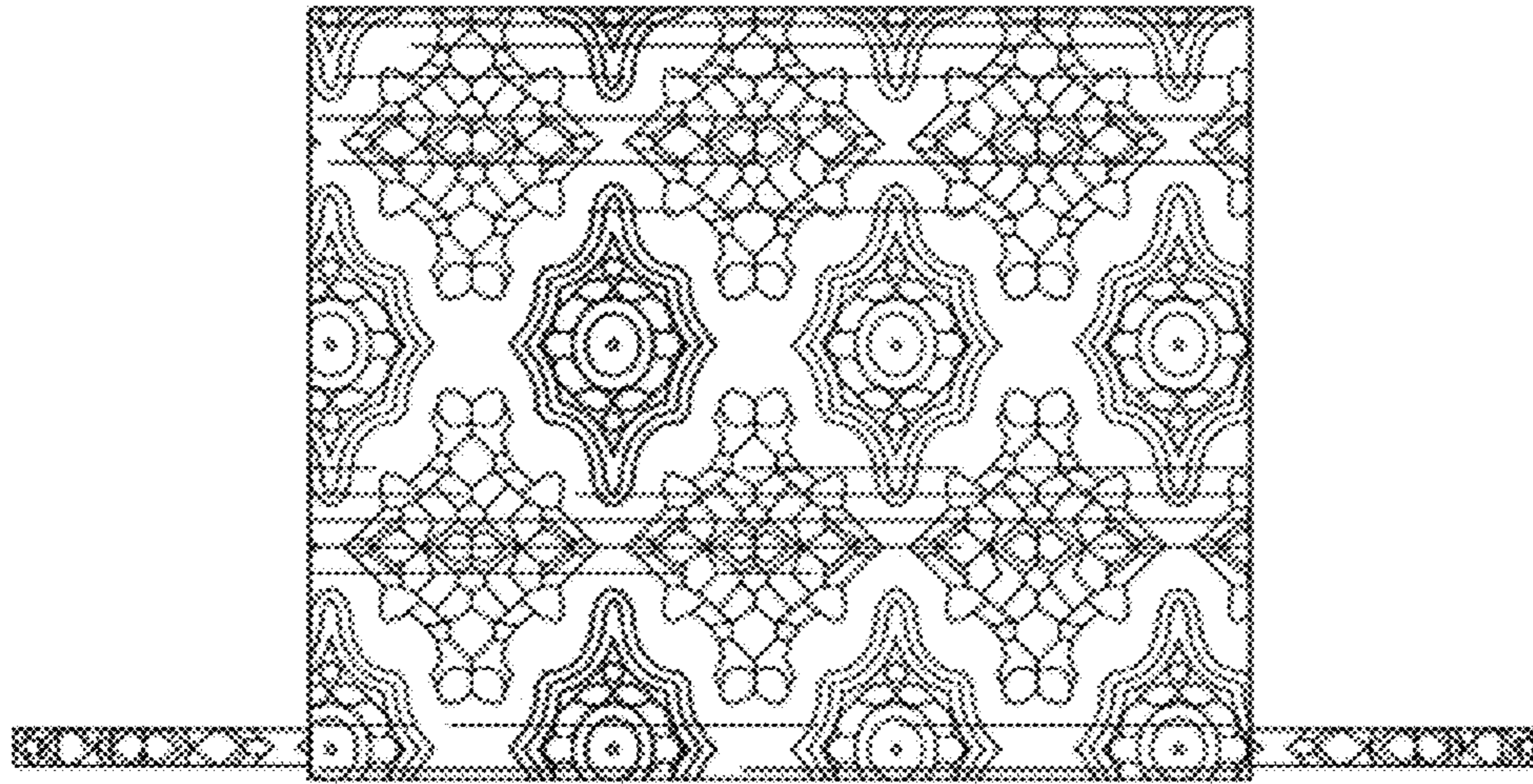


FIG. 2

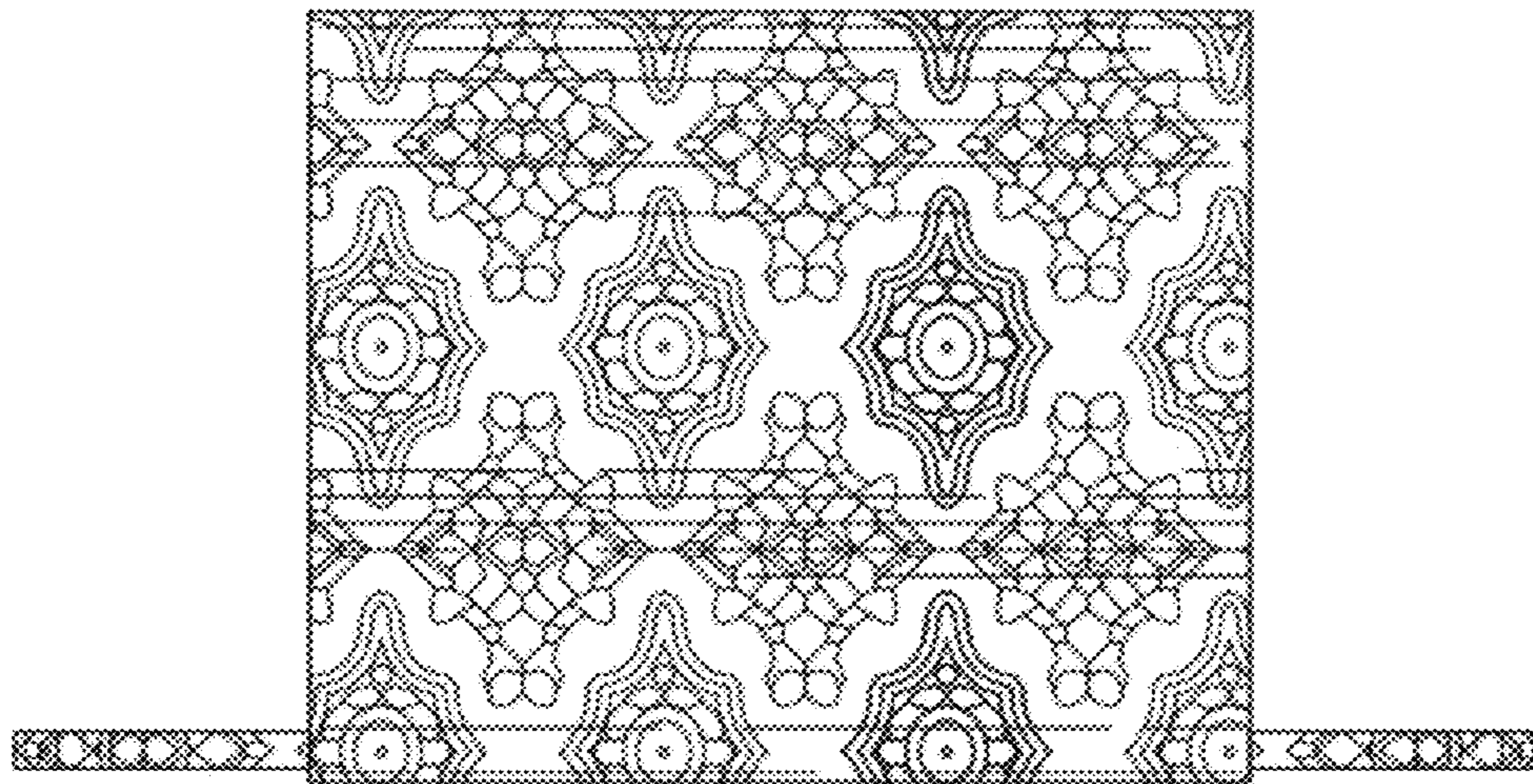


FIG. 3

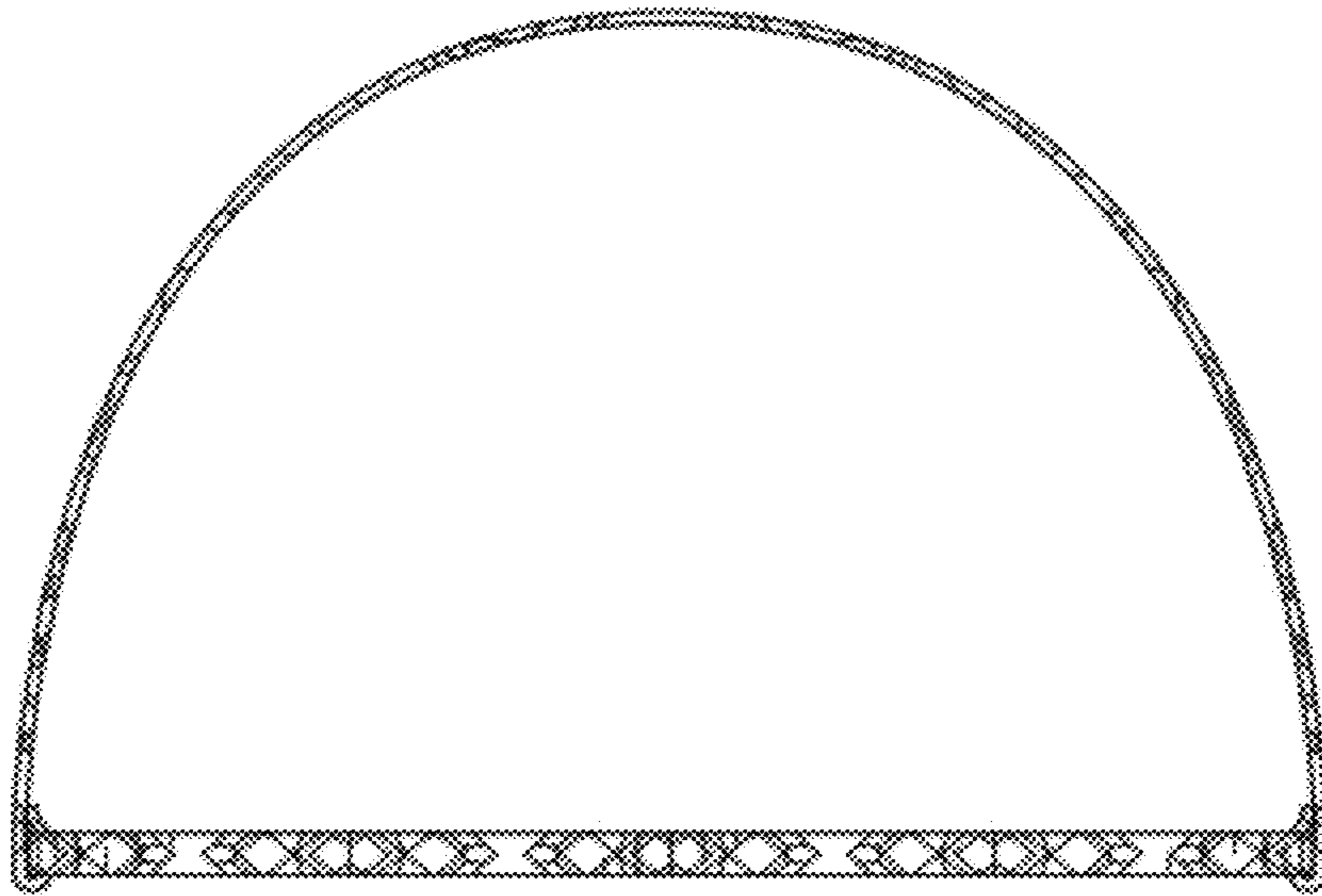


FIG. 4

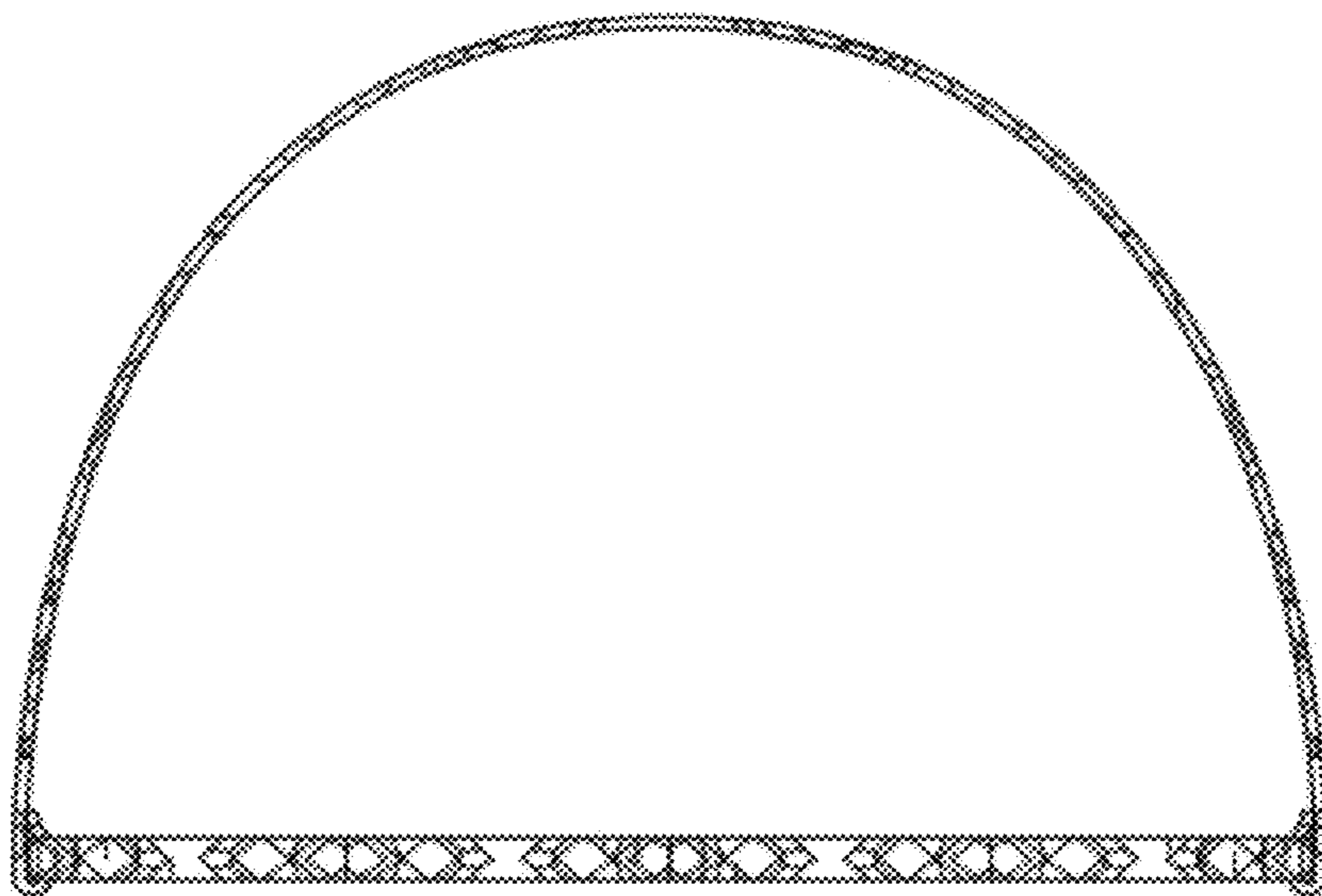


FIG. 5