



US00D672993S

(12) **United States Design Patent**
Bonahoom et al.

(10) **Patent No.:** **US D672,993 S**
(45) **Date of Patent:** **** Dec. 25, 2012**

(54) **VEHICULAR GARAGE FLOOR MAT**

(76) Inventors: **Eugene Bonahoom**, Thorton, CO (US);
Linda Bonahoom, Thorton, CO (US)

(**) Term: **14 Years**

(21) Appl. No.: **29/414,916**

(22) Filed: **Mar. 6, 2012**

(51) **LOC (9) Cl.** **06-11**

(52) **U.S. Cl.** **D6/592**

(58) **Field of Classification Search** D5/30,
D5/47, 49, 58, 61-63, 99; D6/582, 583,
D6/588, 591, 592, 613, 615, 617, 619, 620,
D6/621; D12/203; D19/1, 5, 8; 4/581, 582,
4/583; 5/417, 420; 15/215, 238; 52/660;
428/85

See application file for complete search history.

(56) **References Cited**

U.S. PATENT DOCUMENTS

246,171	A *	8/1881	Mansfield	4/581
D66,202	S *	12/1924	MacArthur	D12/203
2,897,963	A *	8/1959	Byers, Jr.	206/557
3,044,575	A	7/1962	Minutillo		
3,341,866	A *	9/1967	Wright	4/583
4,122,846	A *	10/1978	Baumann	601/168

4,246,982	A	1/1981	Pretnick		
4,370,767	A *	2/1983	Fraser	5/417
D331,904	S *	12/1992	Maresca	D12/203
5,308,670	A	5/1994	Saylor		
D353,505	S	12/1994	Rea		
5,478,625	A	12/1995	Wright		
5,556,692	A	9/1996	Zheng		
5,762,233	A	6/1998	Van Romer		
5,916,658	A	6/1999	Mohr		
6,258,430	B1	7/2001	Perlman		
6,558,769	B1	5/2003	Chwala		
6,713,138	B2 *	3/2004	Griner	428/35.7
8,021,733	B2 *	9/2011	Carter-Patterson et al.	.	428/64.1
2007/0094786	A1 *	5/2007	Smith et al.	4/581

* cited by examiner

Primary Examiner — Karen S Acker

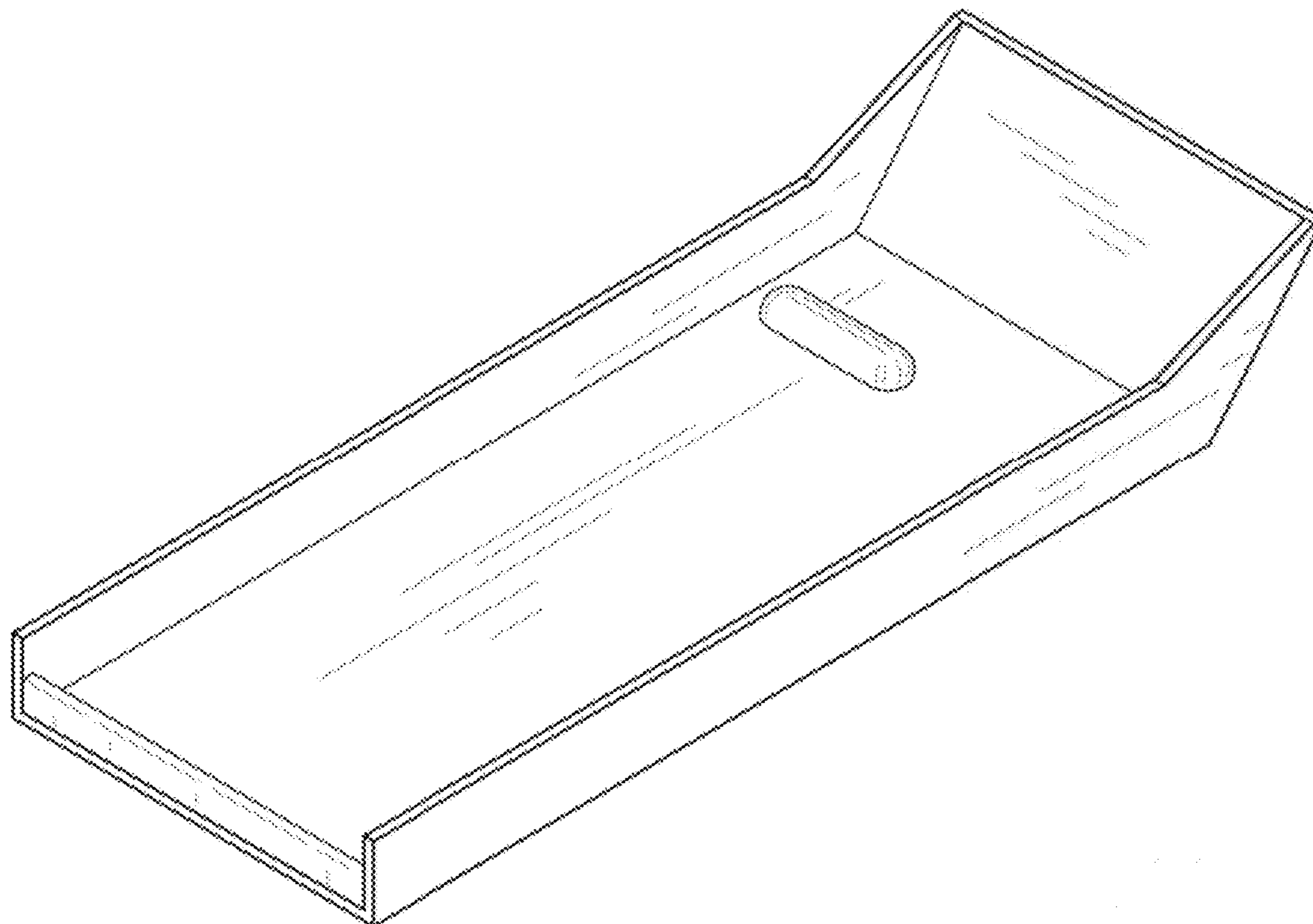
(57) **CLAIM**

We claim the ornamental design for the vehicular garage floor mat, as shown and described.

DESCRIPTION

FIG. 1 is a left side view of the vehicular garage floor mat.
FIG. 2 is a front view of the claimed design.
FIG. 3 is a rear view of the claimed design.
FIG. 4 is a top view of the claimed design.
FIG. 5 is a bottom view of the claimed design; and,
FIG. 6 is an isometric view of the claimed design.

1 Claim, 3 Drawing Sheets



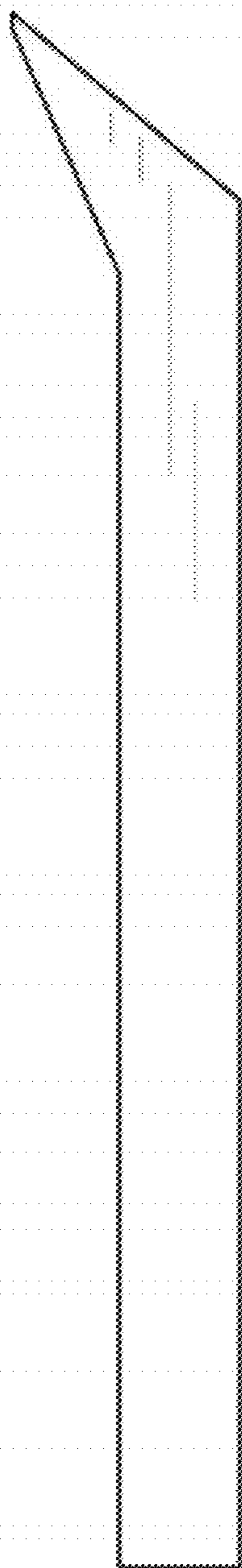


FIG. 1

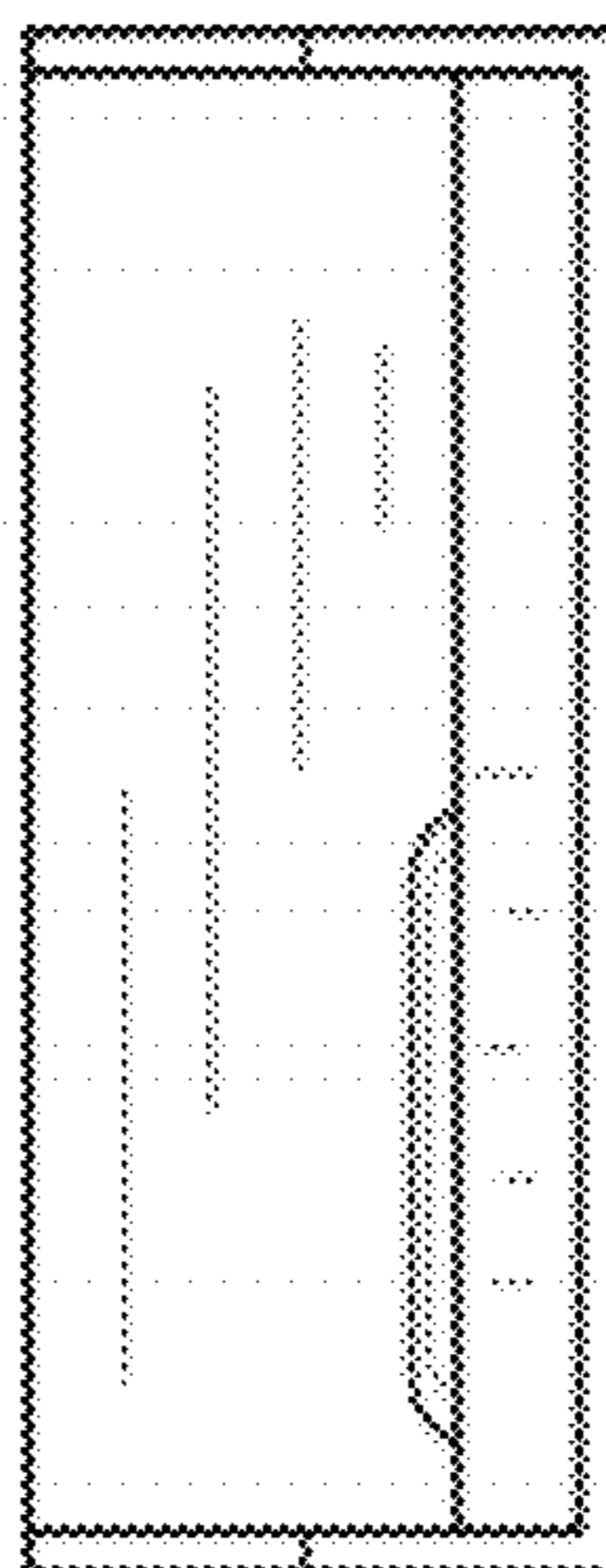


FIG. 2

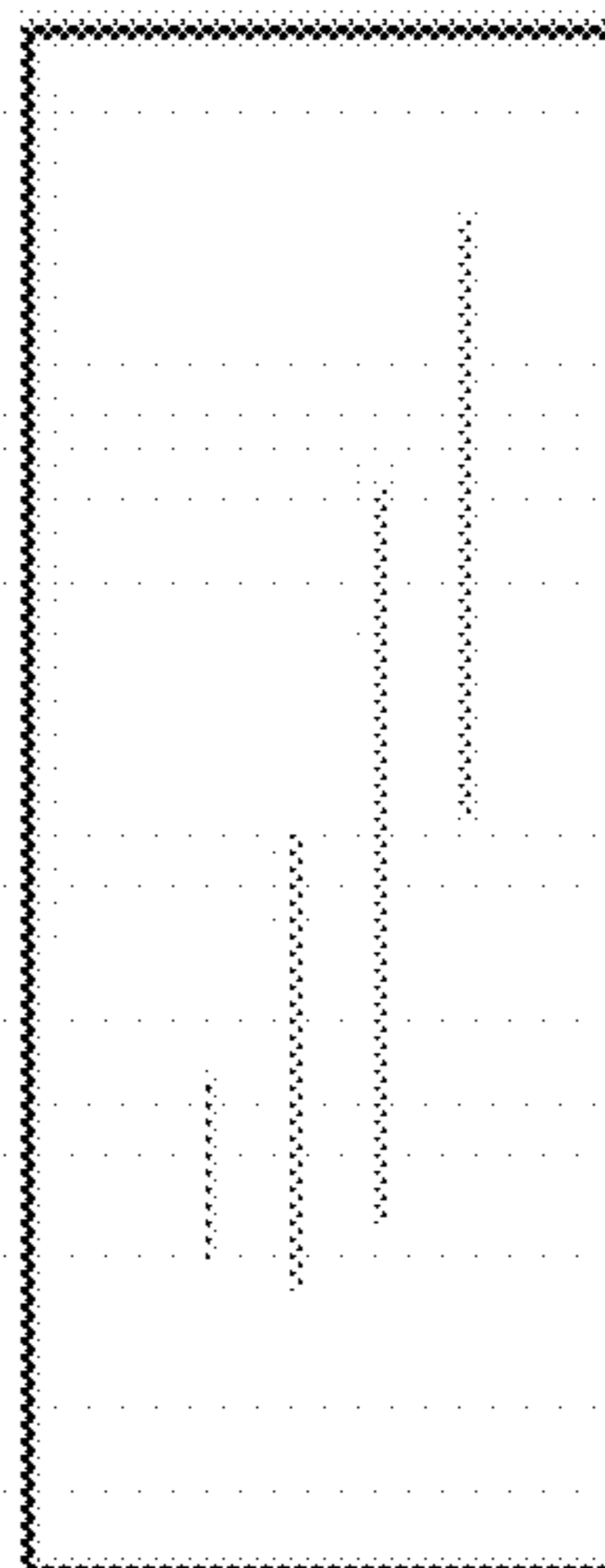


FIG. 3

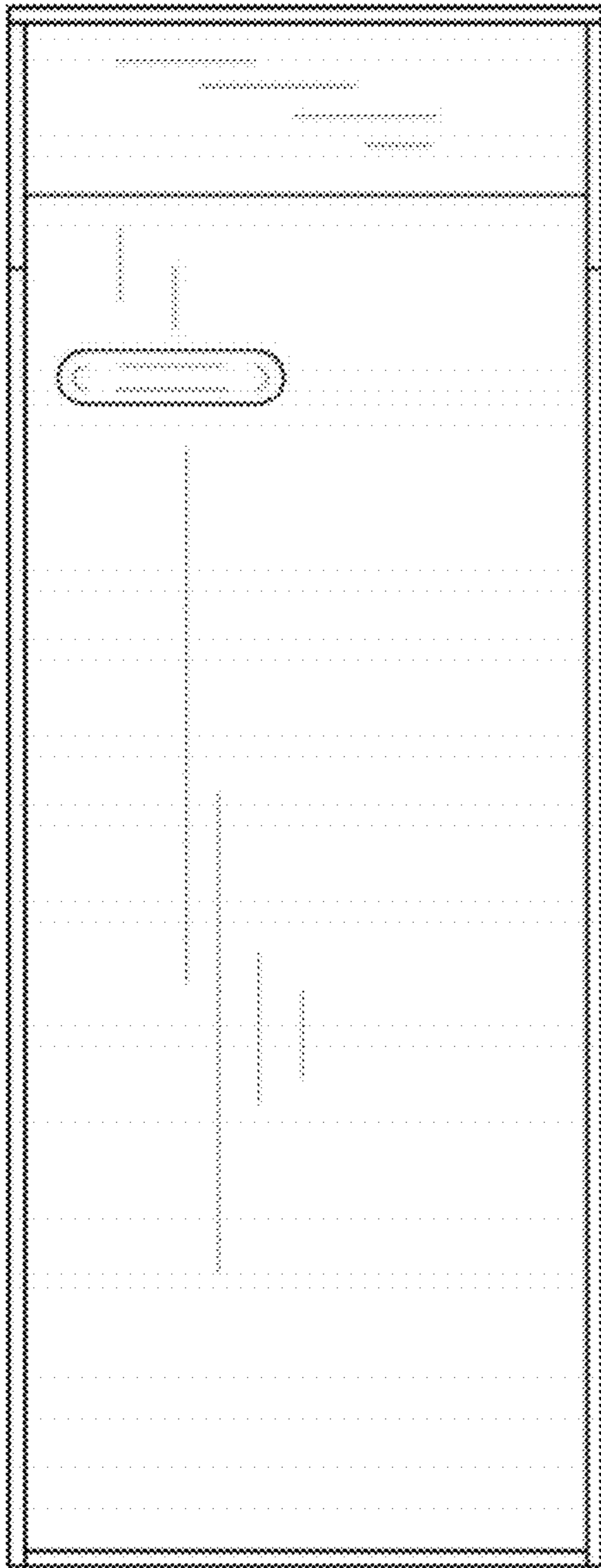


FIG. 4

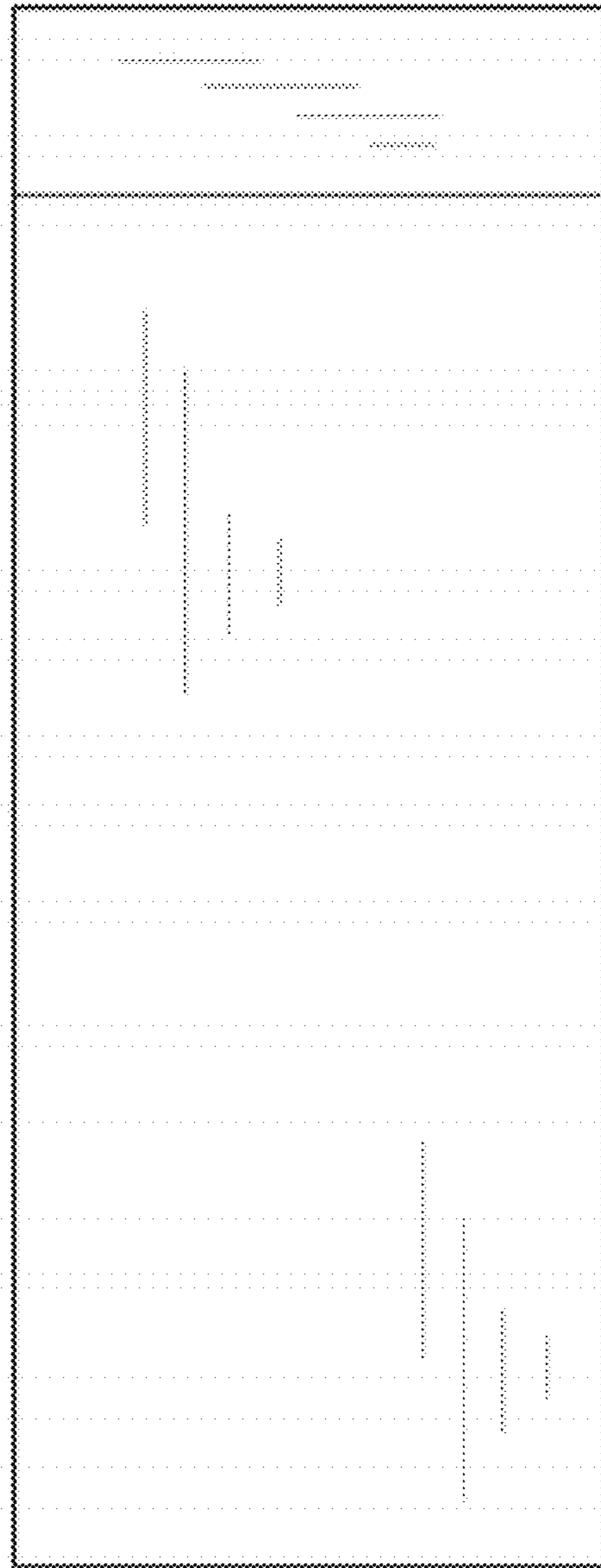


FIG. 5

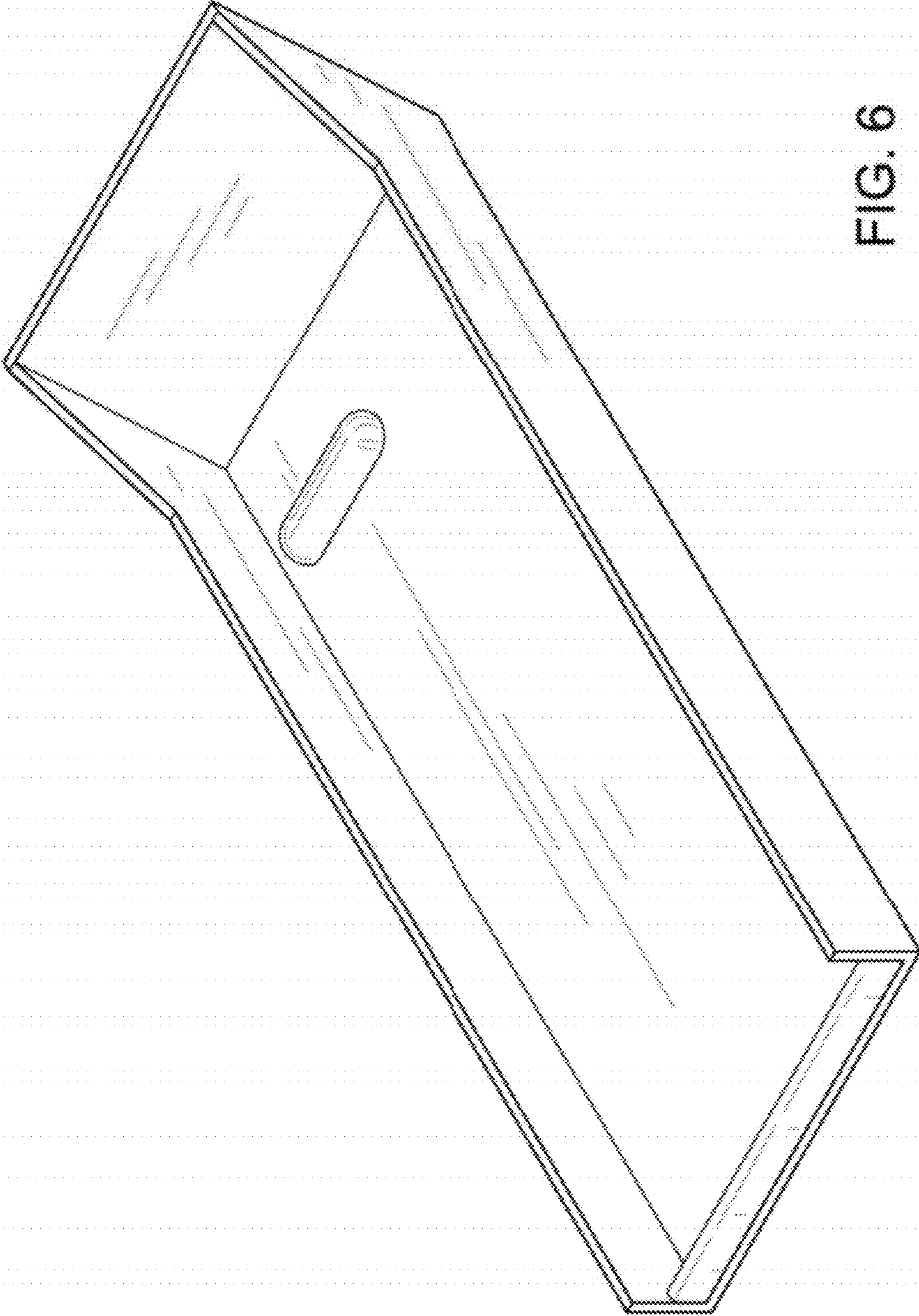


FIG. 6