



US00D672992S

(12) **United States Design Patent**
Kozak et al.

(10) **Patent No.:** **US D672,992 S**

(45) **Date of Patent:** **** Dec. 25, 2012**

(54) **PRODUCT DISPLAY RACK**

D533,745 S * 12/2006 Rodrigue D6/566
D547,138 S * 7/2007 Goodman et al. D6/566
D547,955 S * 8/2007 Johnson et al. D6/566

(75) Inventors: **Burton Kozak**, Chicago, IL (US); **Ira Kozak**, Riverwoods, IL (US)

* cited by examiner

(73) Assignee: **Combined Products 6. #1 Inc.**,
Chicago, IL (US)

Primary Examiner — Brian N Vinson

(74) *Attorney, Agent, or Firm* — Factor Intellectual Property
Law Group

(**) Term: **14 Years**

(57) **CLAIM**

The ornamental design of a product display rack, as shown.

(21) Appl. No.: **29/422,195**

DESCRIPTION

(22) Filed: **May 17, 2012**

Related U.S. Application Data

(62) Division of application No. 29/405,733, filed on Nov. 4, 2011, now Pat. No. Des. 661,935, which is a division of application No. 29/365,676, filed on Jul. 13, 2010, now Pat. No. Des. 651,031.

FIG. 1 is a front isometric view of an embodiment of a product display rack with a drawer in a closed position and including break lines that indicate portions of the product display rack that can be of indefinite length. The break lines do not form part of the claimed design;

FIG. 2 is a side elevation view of the right side (when viewed from the front) of the product display rack of FIG. 1;

(51) **LOC (9) Cl.** **06-04**

(52) **U.S. Cl.** **D6/566; D6/560**

(58) **Field of Classification Search** D6/512-514,
D6/566, 553, 567, 569, 315, 320, 327, 560;
D8/349, 354, 367, 372; 248/301-304, 309.1,
248/309.2; 211/13.1, 30, 32, 70.6, 56.01,
211/87.01, 181.1

FIG. 3 is a front elevation view of the product display rack of FIG. 1;

FIG. 4 is a rear elevation view of the product display rack of FIG. 1;

FIG. 5 is a top plan view of the product display rack of FIG. 1;

FIG. 6 is a bottom plan view of the product display rack of FIG. 1;

See application file for complete search history.

FIG. 7 is an isometric view from the front and one side of the product display rack of FIG. 1 with the drawer in an open position; and,

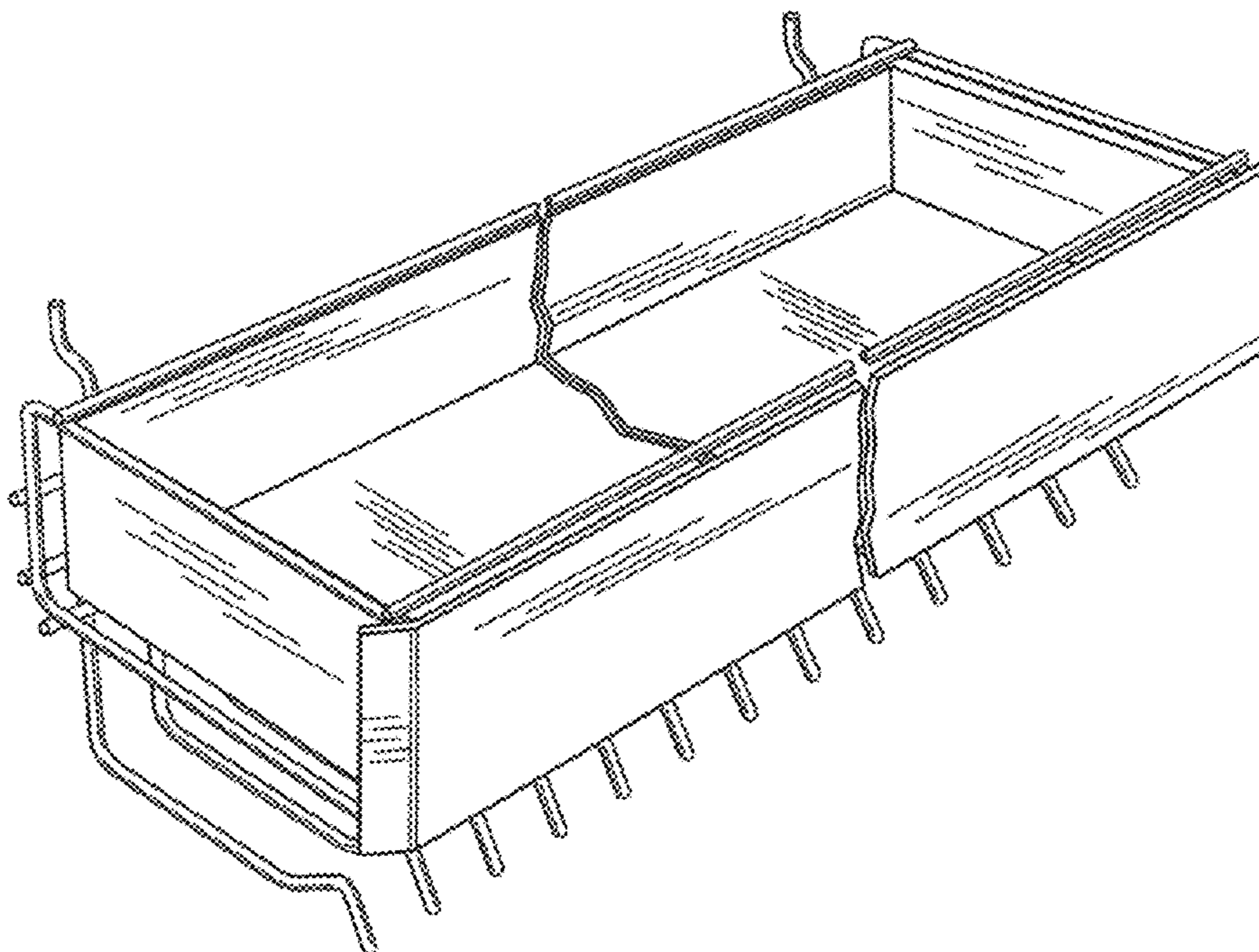
FIG. 8 is an isometric view from the front and one side of the product display rack of FIG. 1 with the drawer removed from the rack.

(56) **References Cited**

U.S. PATENT DOCUMENTS

D418,349 S * 1/2000 Schumacher D6/566
D457,014 S * 5/2002 Miller D6/566
D462,220 S * 9/2002 Battaglia et al. D6/566
D533,002 S * 12/2006 Recknagel et al. D6/566

1 Claim, 8 Drawing Sheets



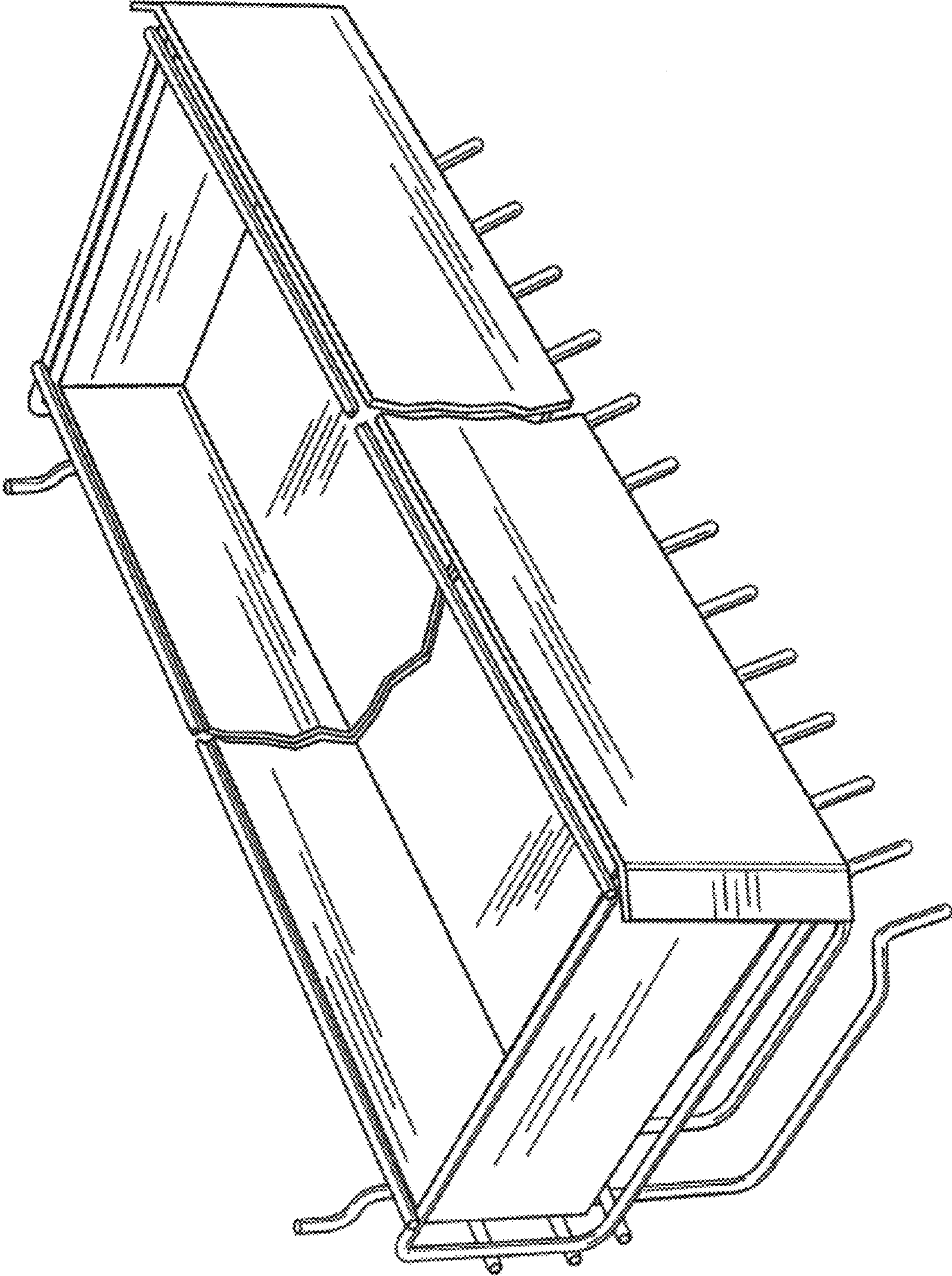


FIG. 1

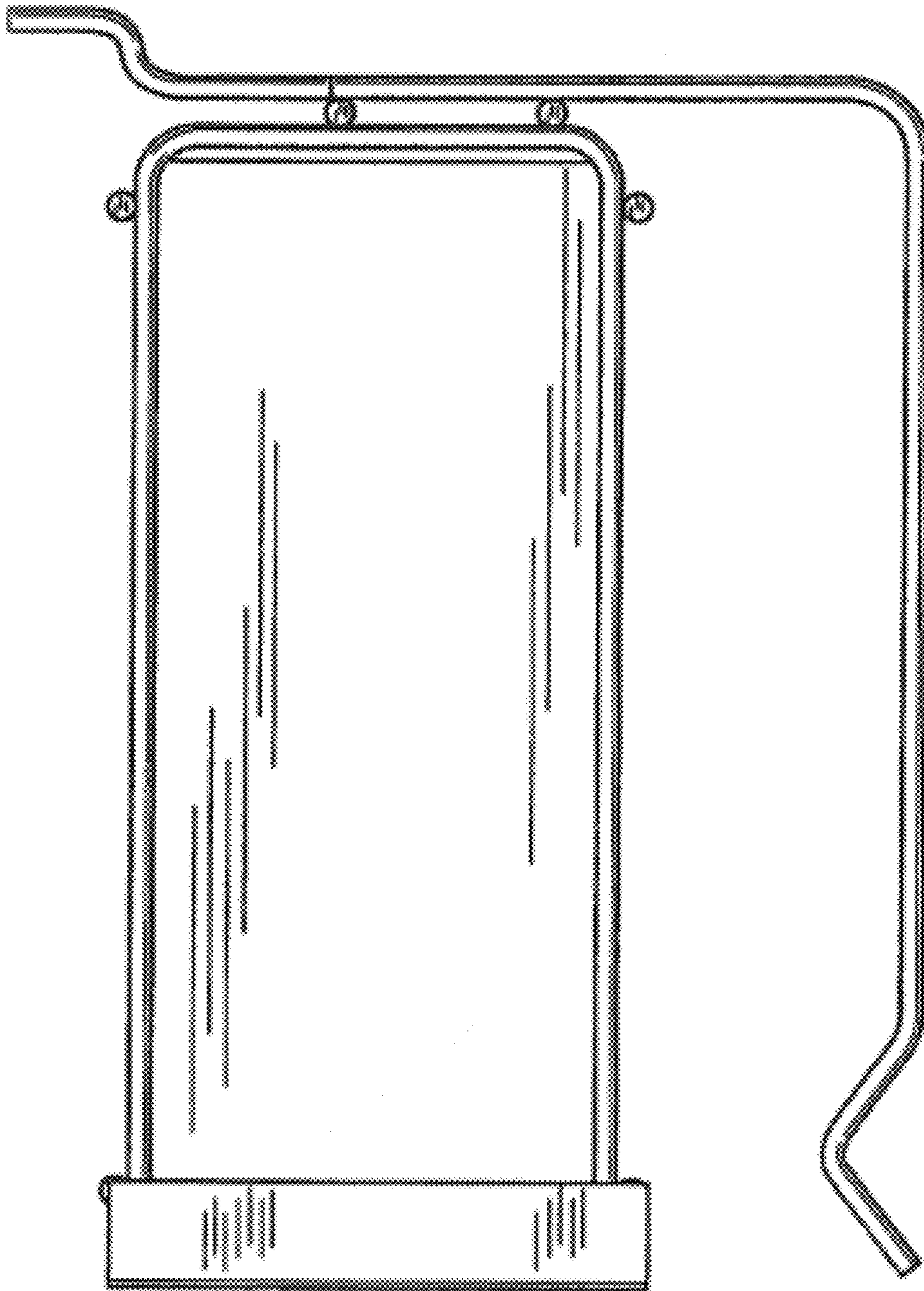


FIG. 2

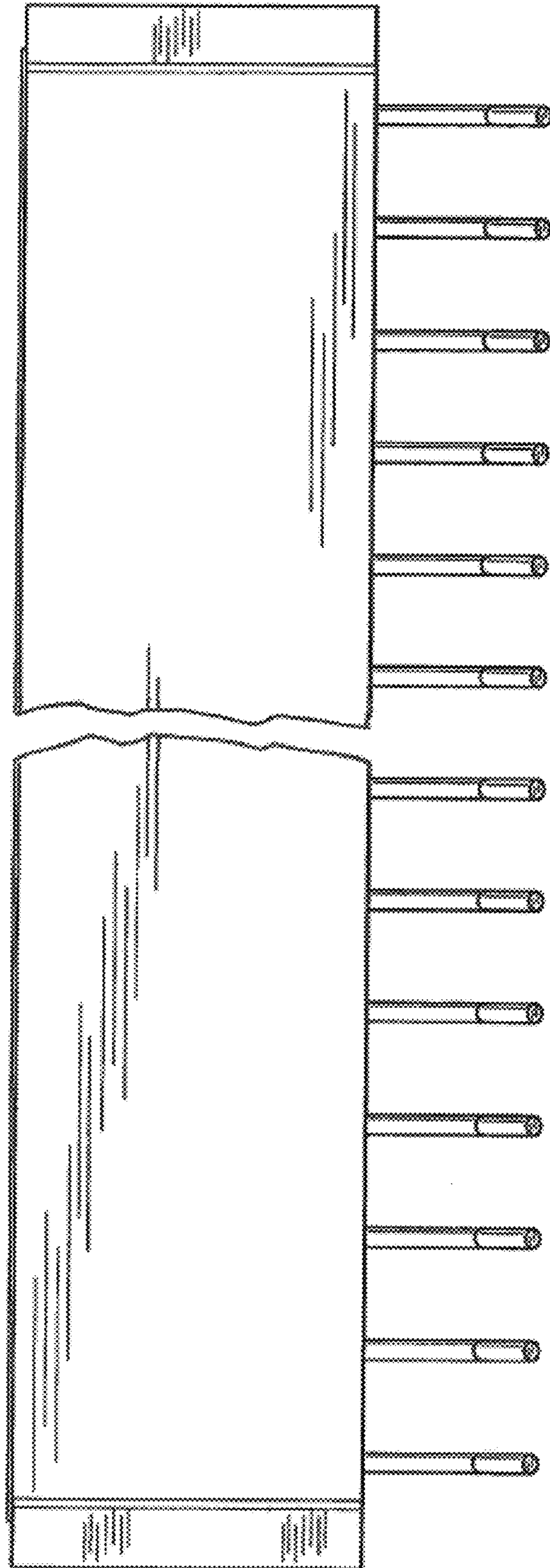


FIG. 3

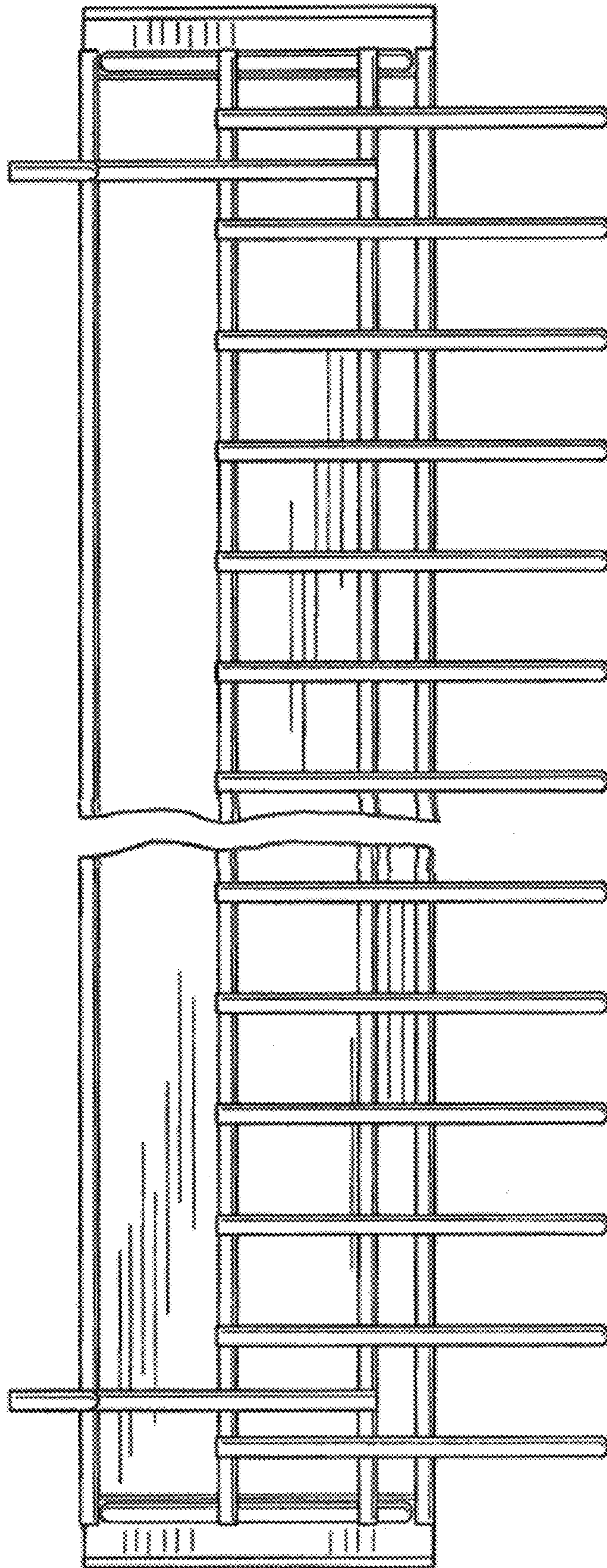


FIG. 4

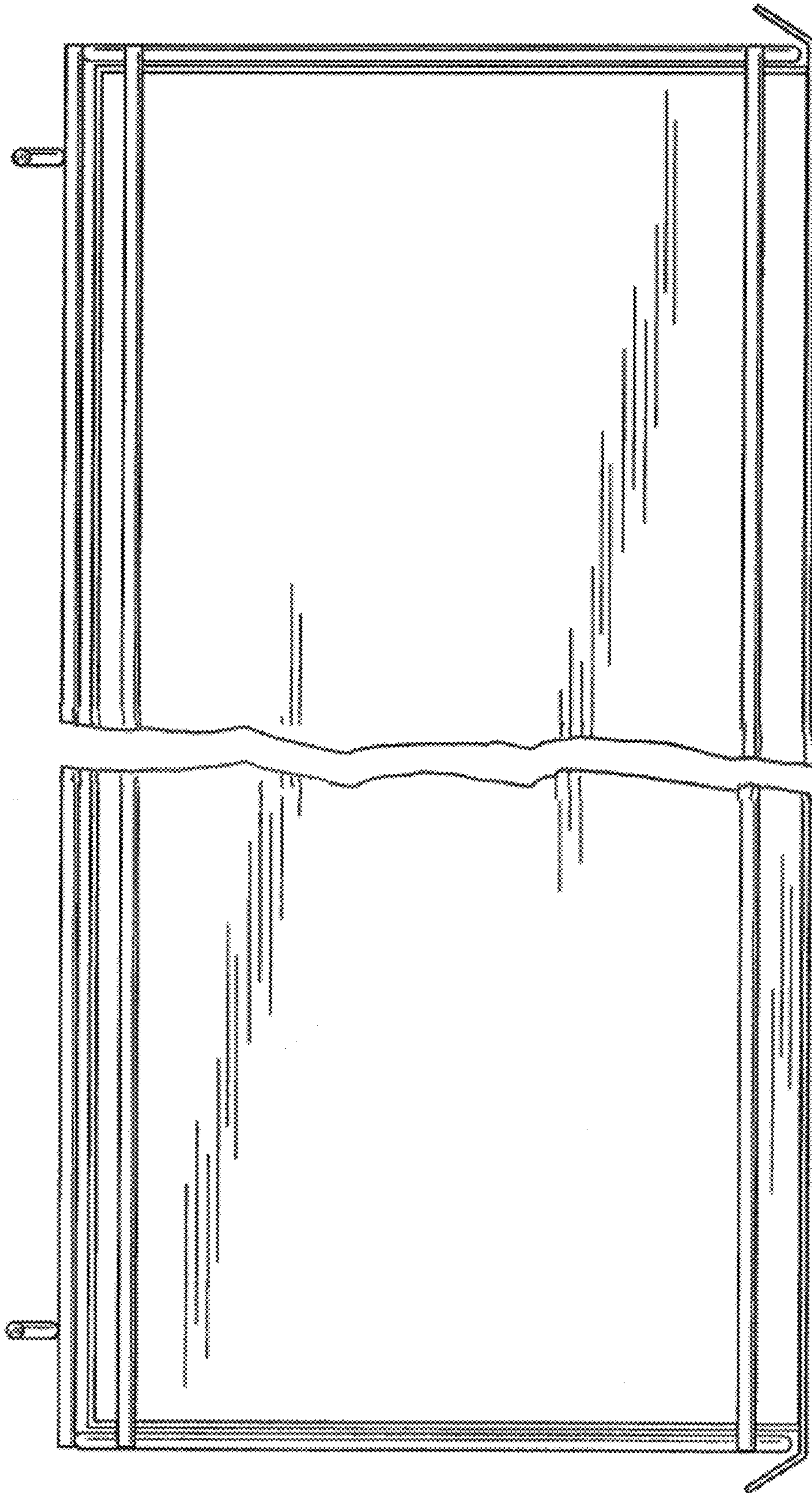


FIG. 5

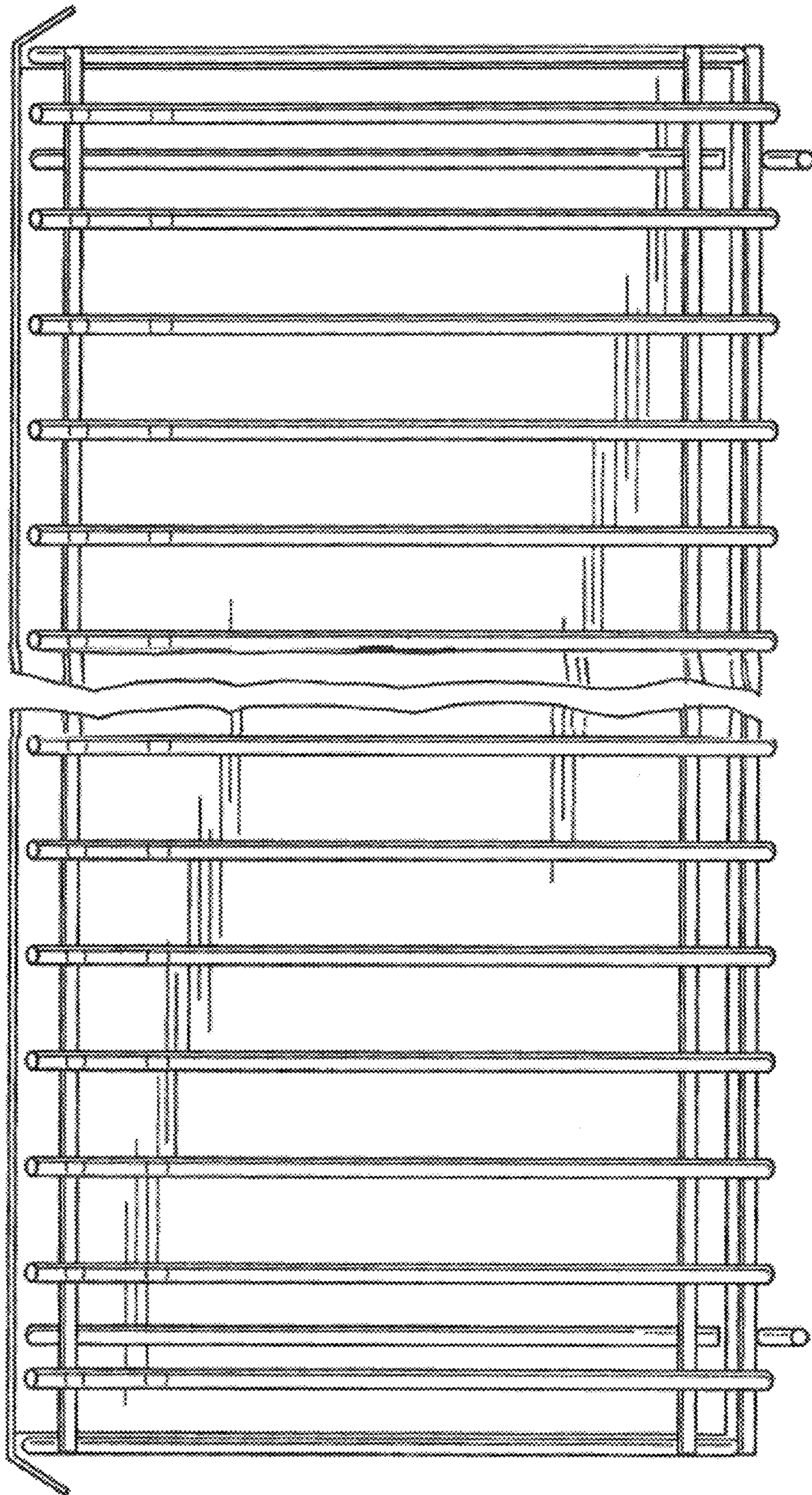


FIG. 6

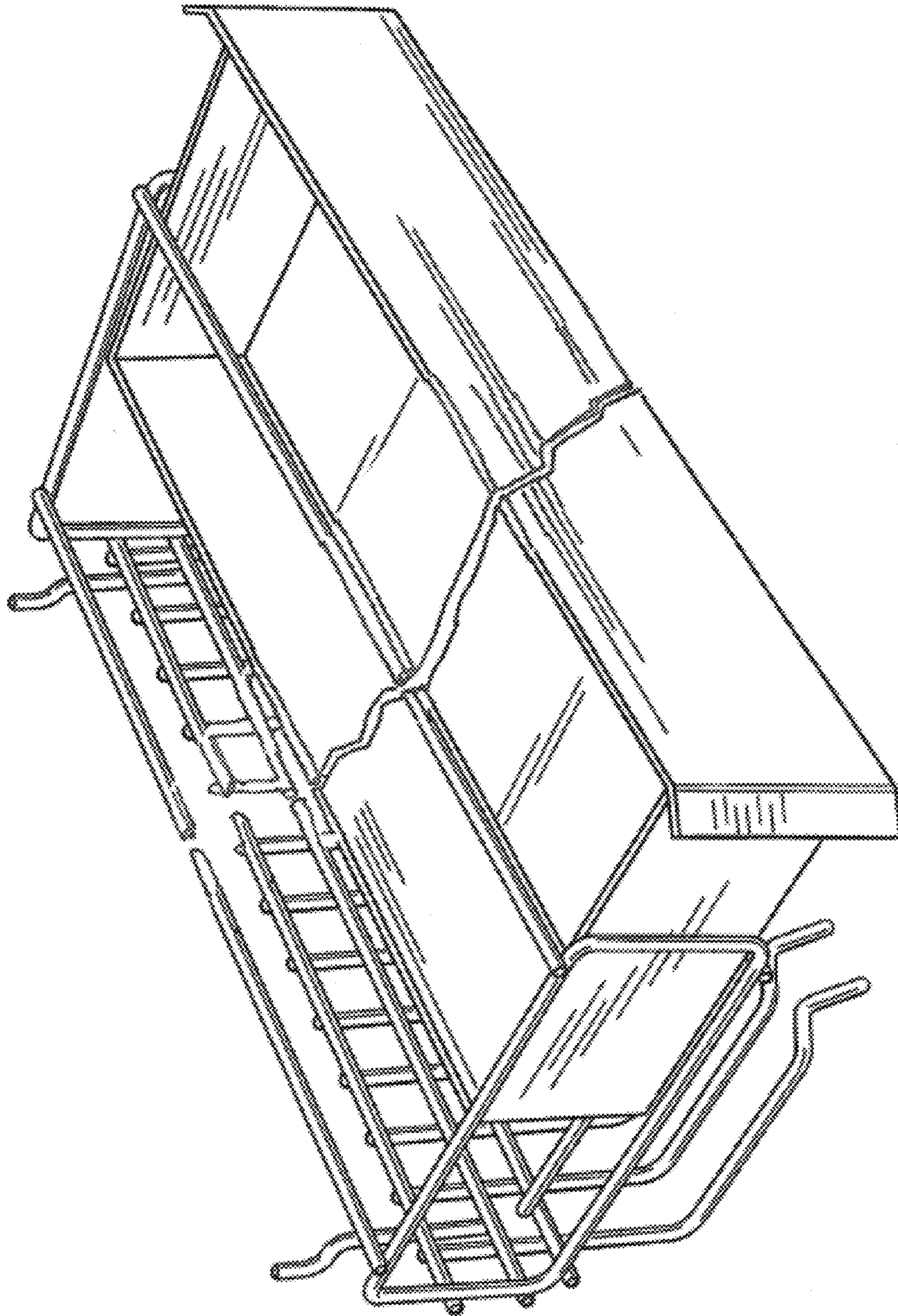


FIG. 7

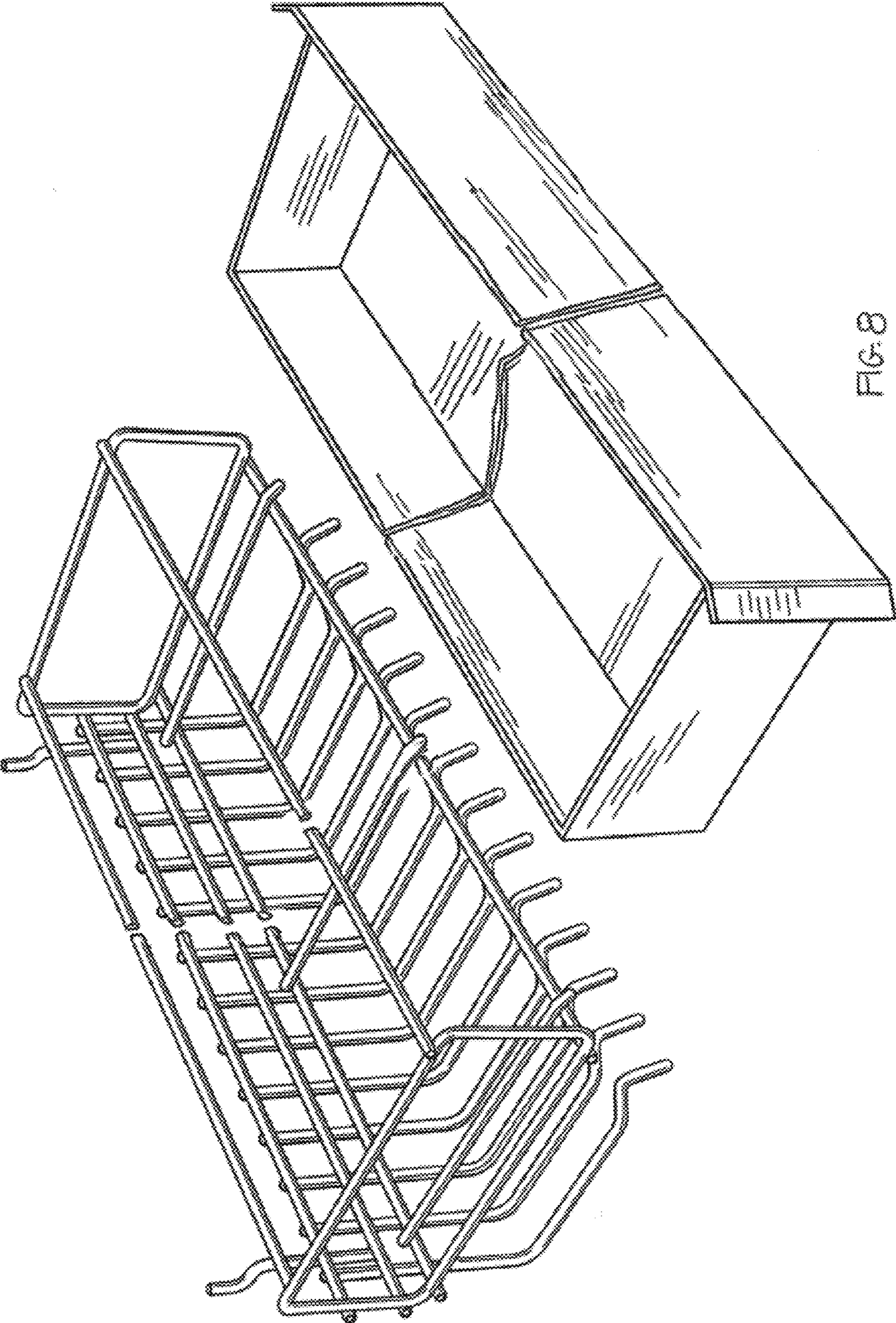


FIG. 8