



US00D672989S

(12) **United States Design Patent**
McManic et al.

(10) **Patent No.:** **US D672,989 S**

(45) **Date of Patent:** **** Dec. 25, 2012**

(54) **MODULAR CABINET**

(76) Inventors: **Edward McManic**, Trussville, AL (US);
Renee Kovach, Mableton, GA (US);
Jeremy John Kovach, Mableton, GA
(US)

(**) Term: **14 Years**

(21) Appl. No.: **29/378,001**

(22) Filed: **Oct. 28, 2010**

(51) **LOC (9) Cl.** **06-04**

(52) **U.S. Cl.** **D6/509**

(58) **Field of Classification Search** D6/420-436,
D6/443-449, 455, 460-468, 470-479, 492-495,
D6/509-511, 553, 559-561; D25/47-48,
D25/58, 103-111, 119, 138-142, 152-163;
D34/14-21, 27, 31; 108/137; 211/103; 280/47.34,
280/79.3; 312/7.2, 108-109, 204-205, 218,
312/242-245, 249.9-249.11, 312
See application file for complete search history.

(56) **References Cited**

U.S. PATENT DOCUMENTS

D258,032	S *	1/1981	Tebbe et al.	D6/445
4,859,008	A	8/1989	Eyre et al.		
D368,392	S *	4/1996	Brunner et al.	D6/436
D368,604	S *	4/1996	Gotham et al.	D6/436
D377,721	S *	2/1997	Pohlman	D6/436
6,135,583	A	10/2000	Simon et al.		
6,267,462	B1	7/2001	Krause et al.		
6,516,732	B1	2/2003	LaCombe et al.		
D473,403	S *	4/2003	Rockcastle	D6/449
D487,853	S *	3/2004	Woods	D6/436
D501,284	S *	1/2005	Mount	D34/14
RE38,836	E	10/2005	Krause et al.		
D522,772	S *	6/2006	O'Reilly	D6/436
D529,309	S *	10/2006	Juneau et al.	D6/436
7,131,543	B2	11/2006	Mason		
D534,009	S *	12/2006	Juneau	D6/436
7,246,561	B2 *	7/2007	Weatherly	108/137
D554,897	S *	11/2007	Mayer et al.	D6/446
D560,077	S *	1/2008	Zambelli	D6/436

(Continued)

Primary Examiner — Ricky Pham

(74) *Attorney, Agent, or Firm* — Jeremy A. Smith; Frank M. Caprio; Bradley Arant Boult Cummings LLP

(57) **CLAIM**

The ornamental design for a modular cabinet, substantially as shown and described herein.

DESCRIPTION

FIG. 1 is a left perspective view of one embodiment of the modular cabinet.

FIG. 2 is a rear perspective view of one embodiment of the modular cabinet.

FIG. 3 is a side view of one embodiment of the modular cabinet.

FIG. 4 is a front view of one embodiment of the modular cabinet.

FIG. 5 is a back view of one embodiment of the modular cabinet.

FIG. 6 is a top view of one embodiment of the modular cabinet.

FIG. 7 is a left perspective view of an alternate embodiment of the modular cabinet.

FIG. 8 is a rear perspective view of an alternate embodiment of the modular cabinet.

FIG. 9 is a side view of an alternate embodiment of the modular cabinet.

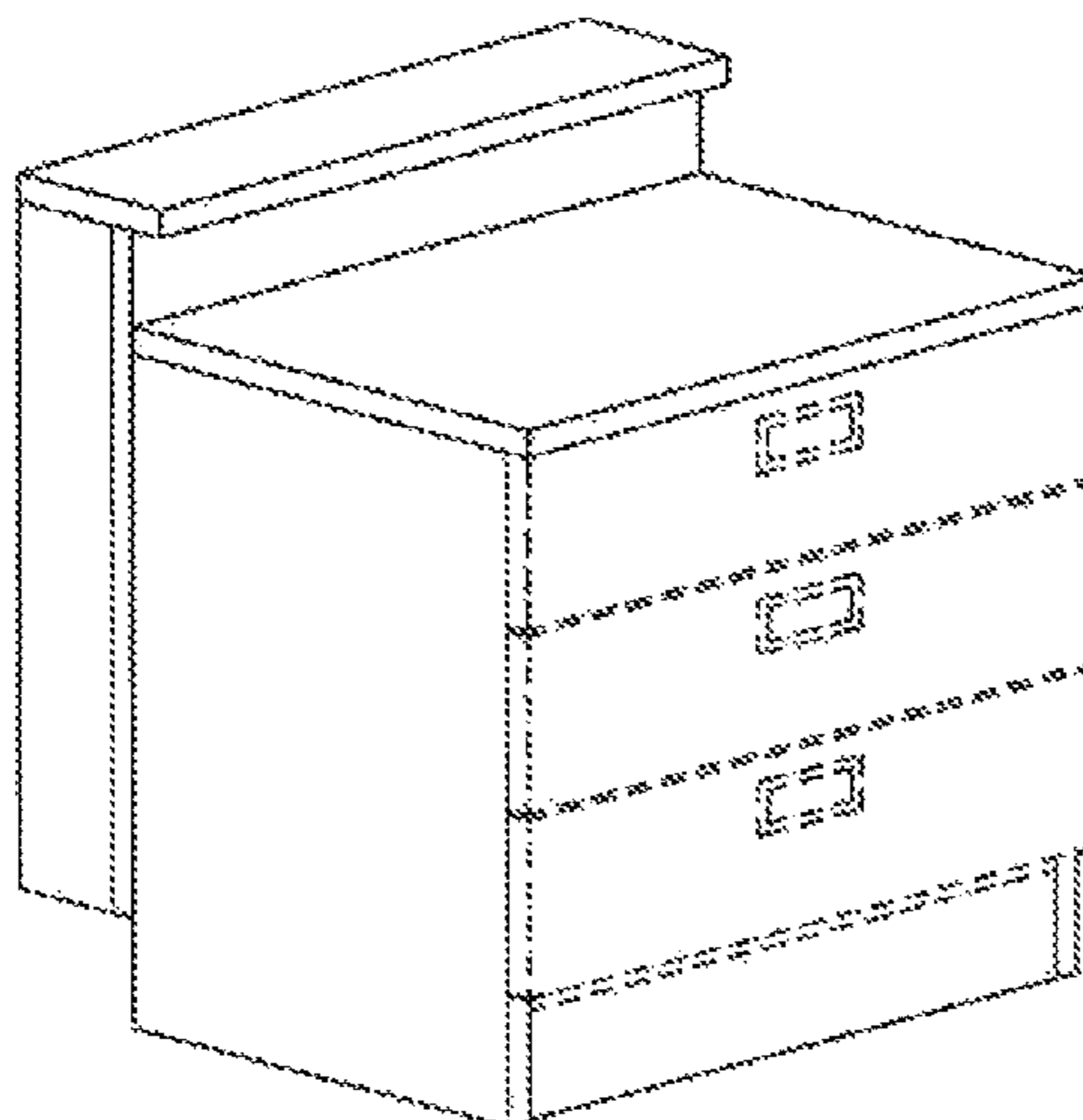
FIG. 10 is a front view of an alternate embodiment of the modular cabinet.

FIG. 11 is a back view of an alternate embodiment of the modular cabinet; and,

FIG. 12 is a top view of an alternate embodiment of the modular cabinet.

The broken lines shown in the drawings are for illustrative purposes only and form no part of the claimed design.

1 Claim, 4 Drawing Sheets



US D672,989 S

Page 2

U.S. PATENT DOCUMENTS

D568,631	S *	5/2008	Martin et al.	D6/436	D657,978	S *	4/2012	Hamm et al.	D6/470
D587,033	S *	2/2009	Martin et al.	D6/436	2002/0084726	A1	7/2002	O'Neill et al.	
7,506,772	B2 *	3/2009	Chen	211/103	2004/0222721	A1 *	11/2004	Kelley et al.	312/205
D590,630	S *	4/2009	Singler et al.	D6/432	2006/0076858	A1	4/2006	Nohl	
D592,422	S	5/2009	Rheault		2007/0013272	A1 *	1/2007	Fells	312/108
D610,832	S *	3/2010	Rheault	D6/436	2007/0170823	A1 *	7/2007	Stannis et al.	312/7.2
D634,563	S *	3/2011	Perc	D6/436	2007/0236116	A1 *	10/2007	Sweet et al.	312/312
D634,950	S *	3/2011	Wahl et al.	D6/495	2008/0100187	A1	5/2008	Tomasello et al.	
8,087,735	B1 *	1/2012	Rheault et al.	312/109					

* cited by examiner

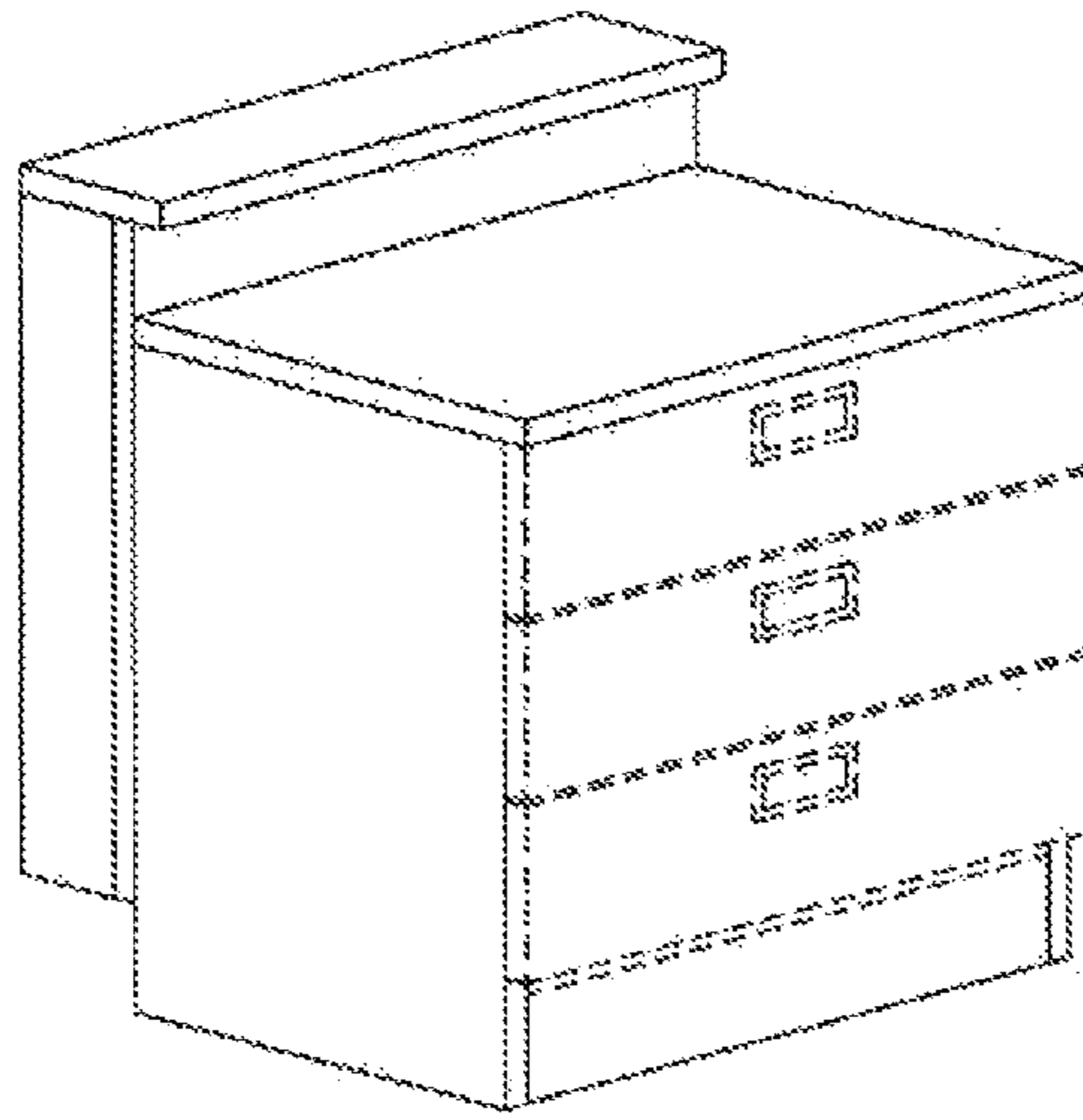


FIG. 1

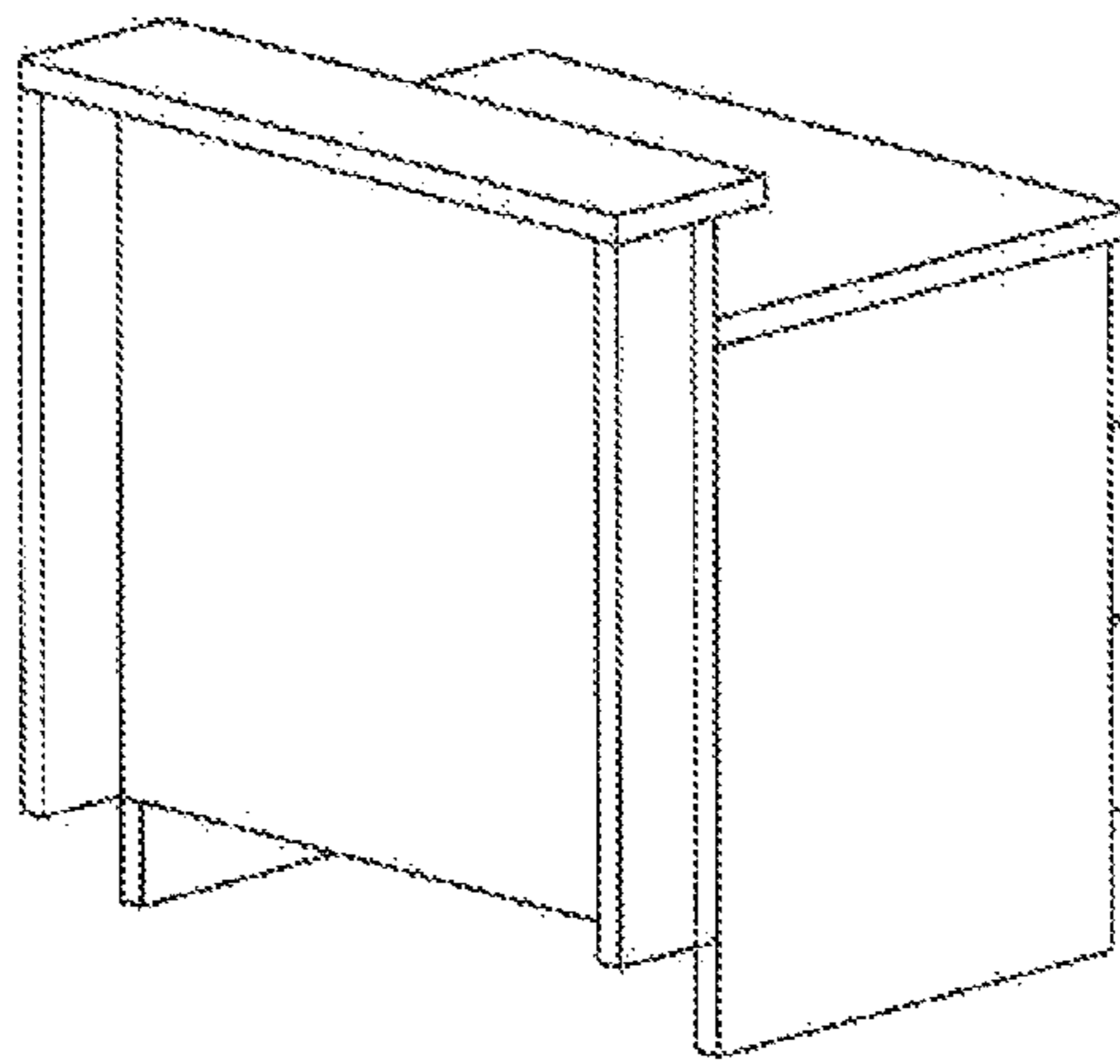


FIG. 2

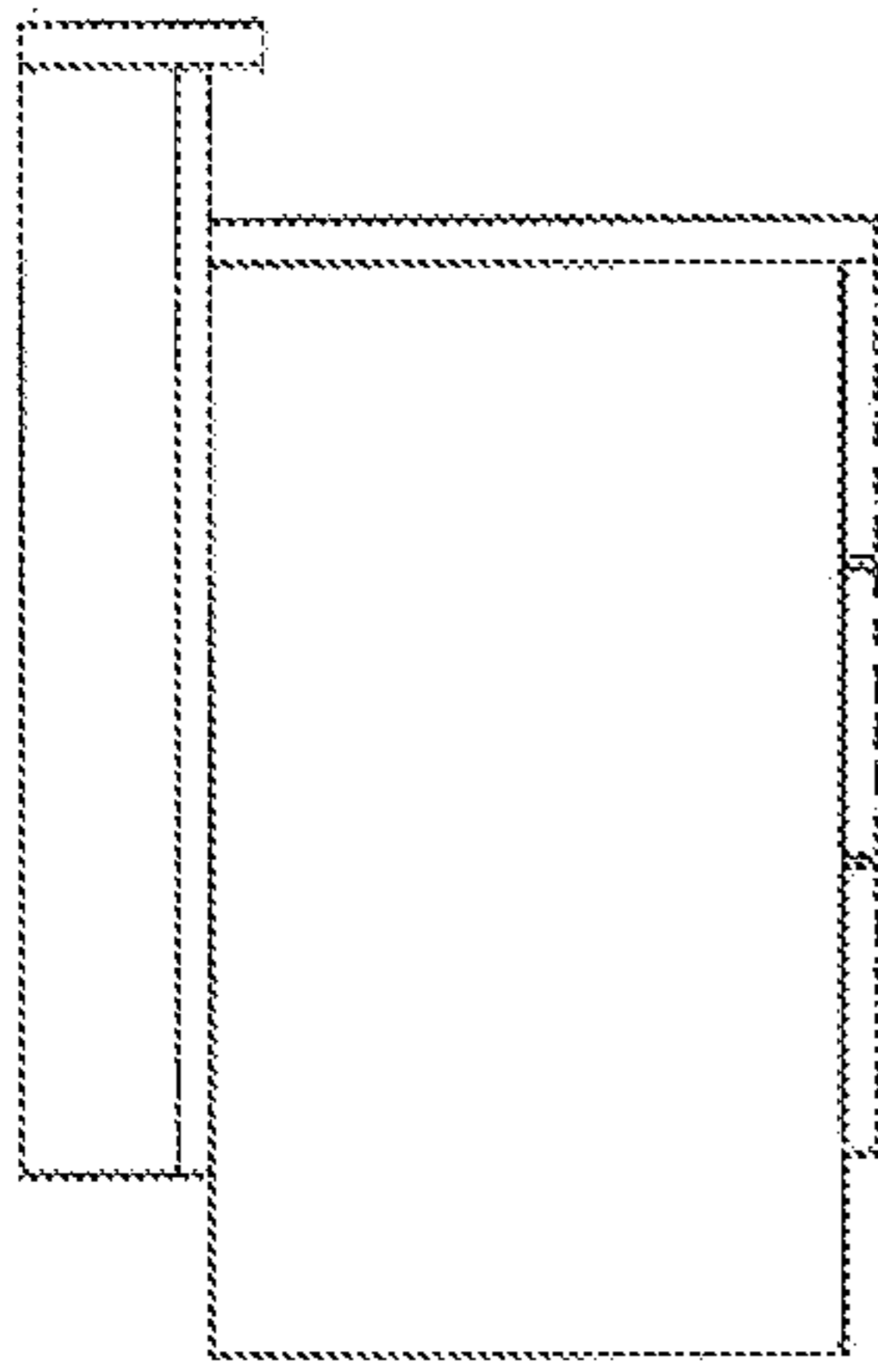


FIG. 3

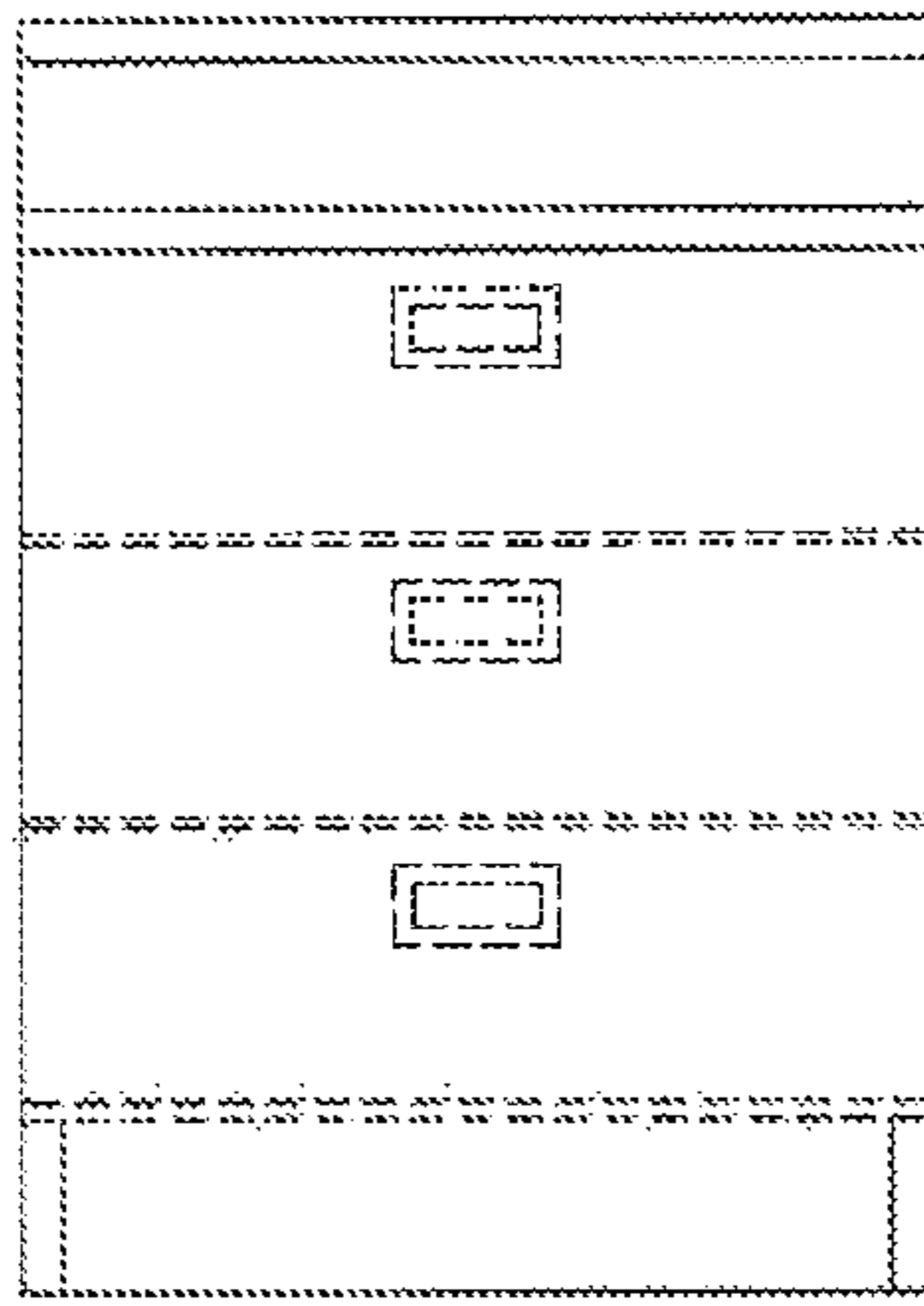


FIG. 4

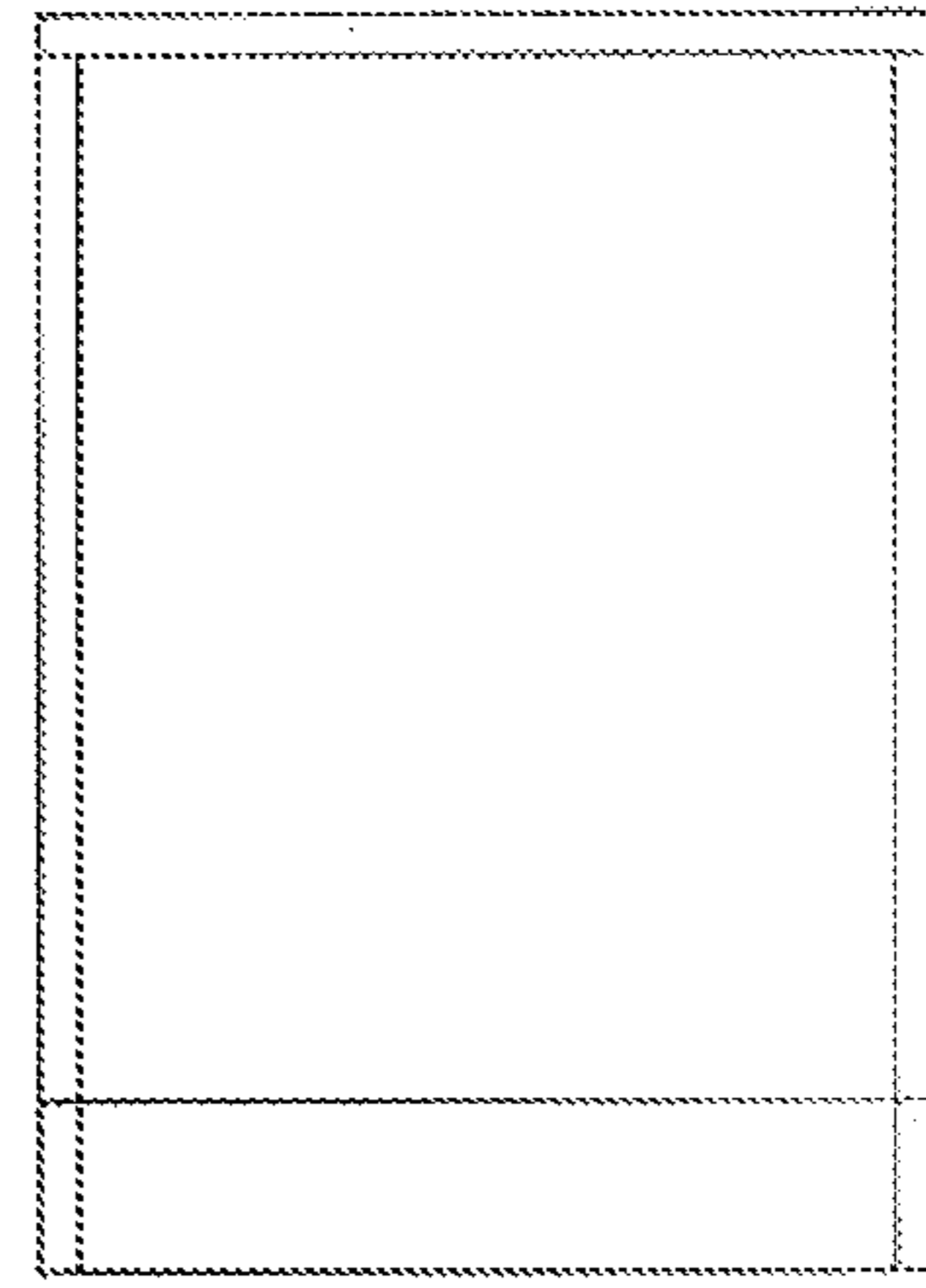


FIG. 5

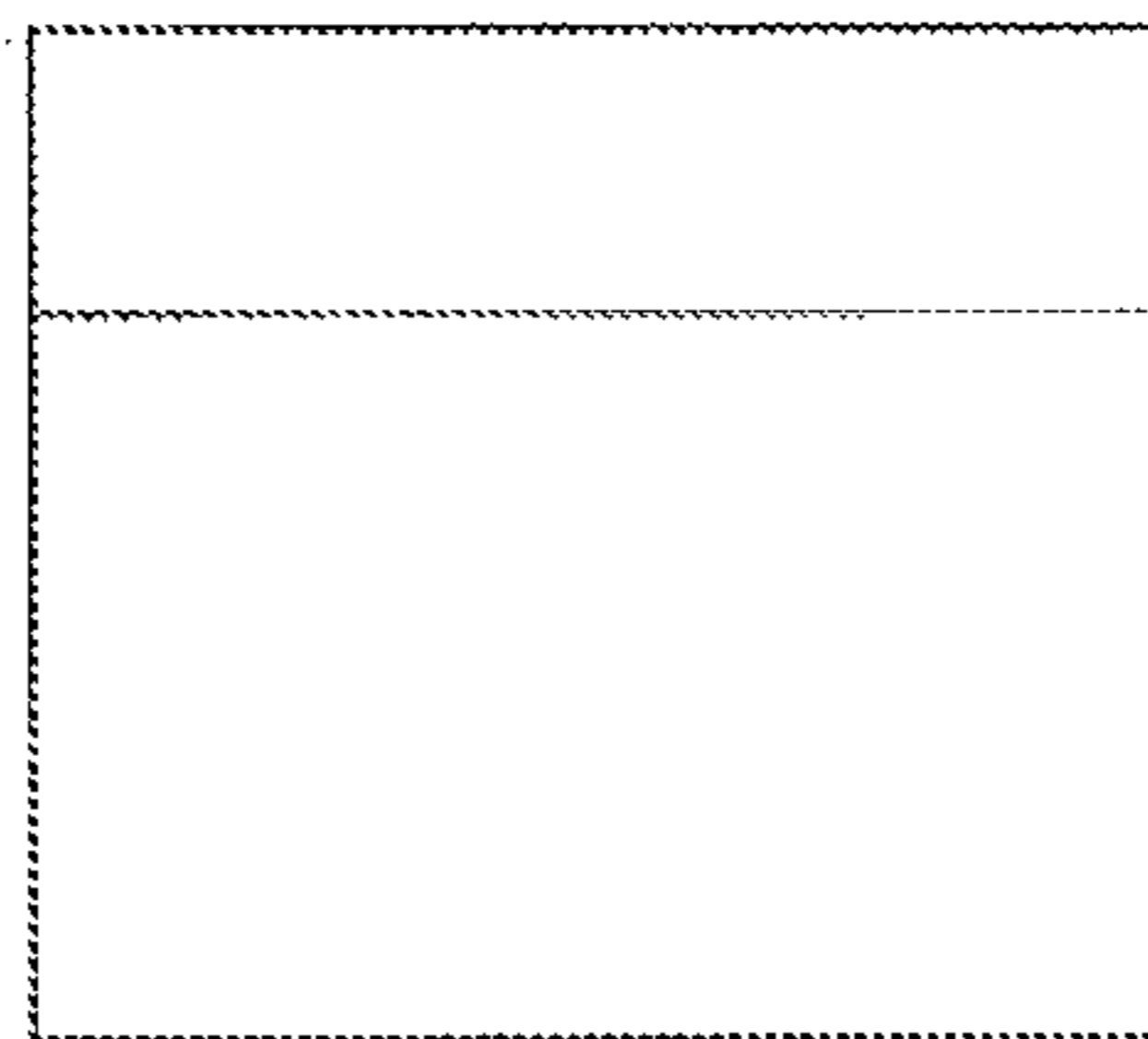


FIG. 6

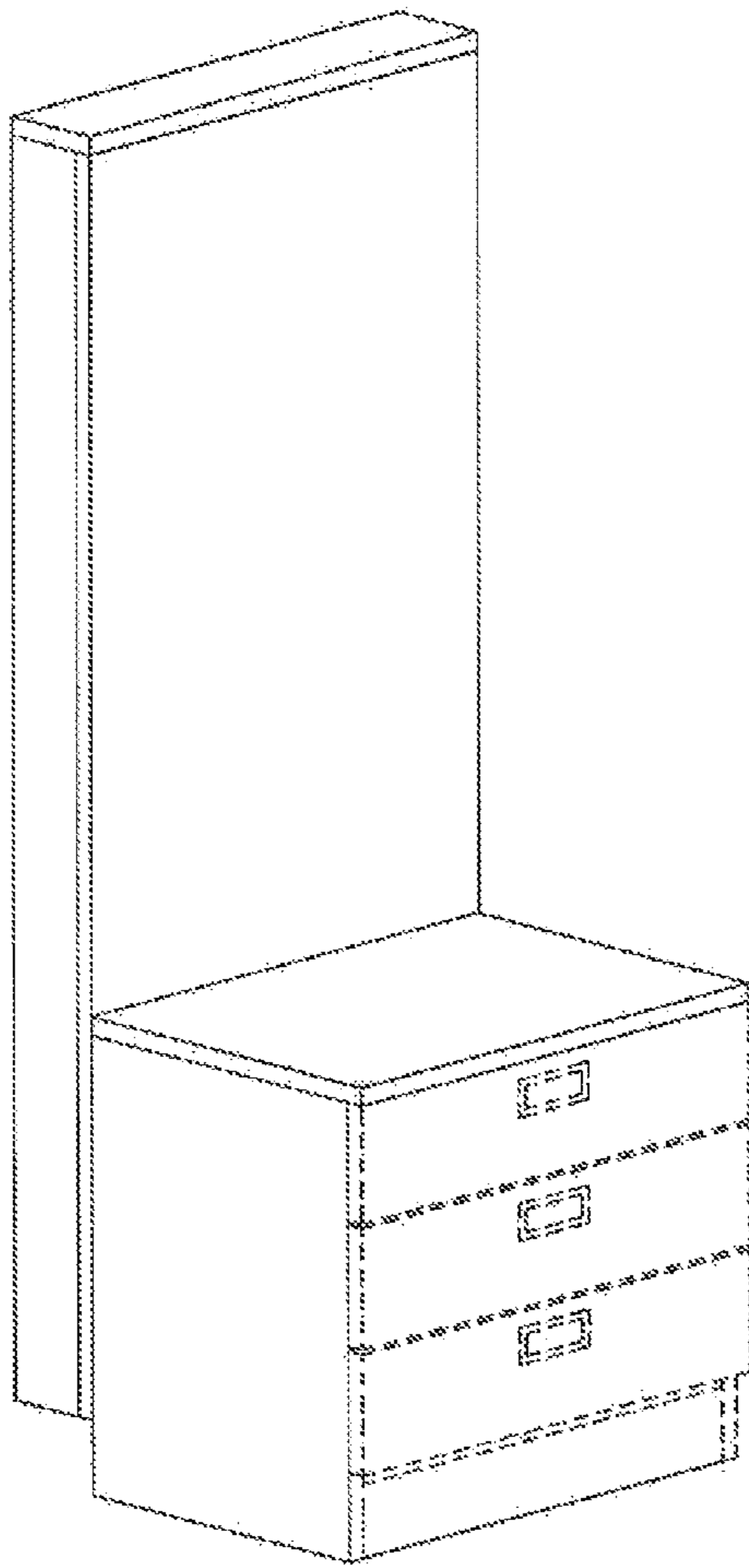


FIG. 7

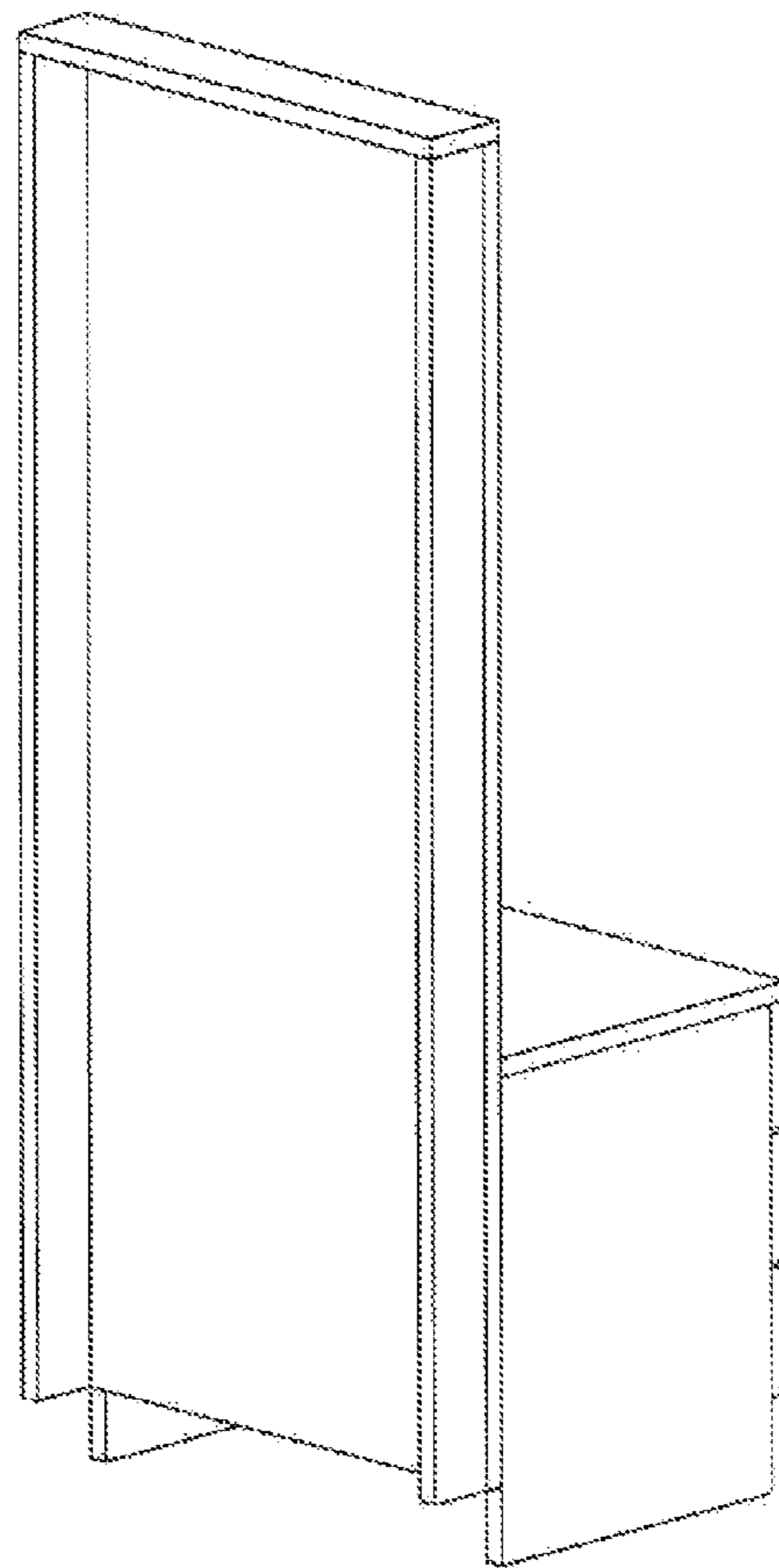


FIG. 8

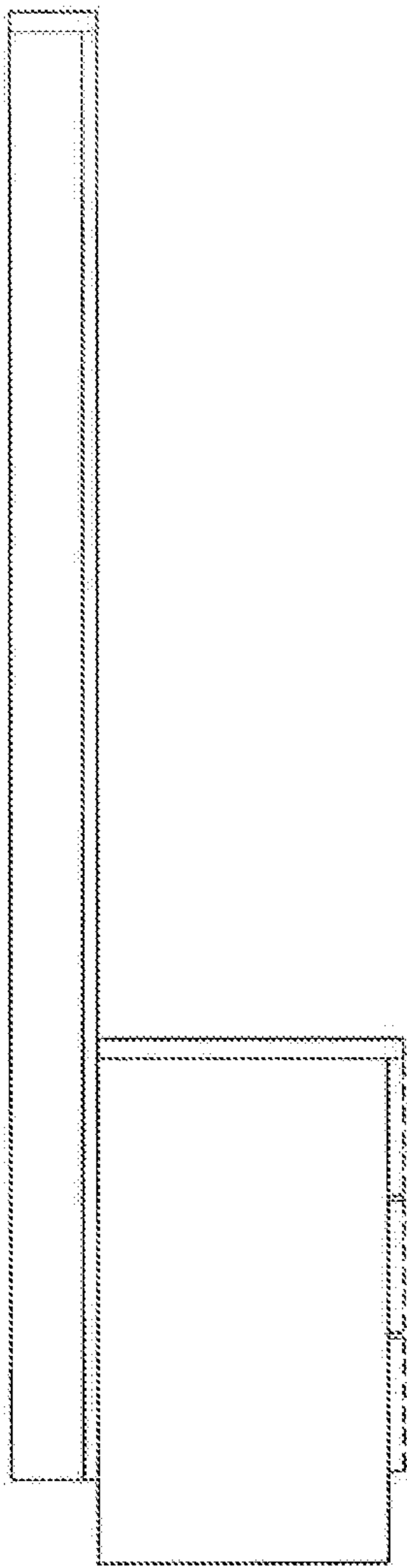


FIG. 9

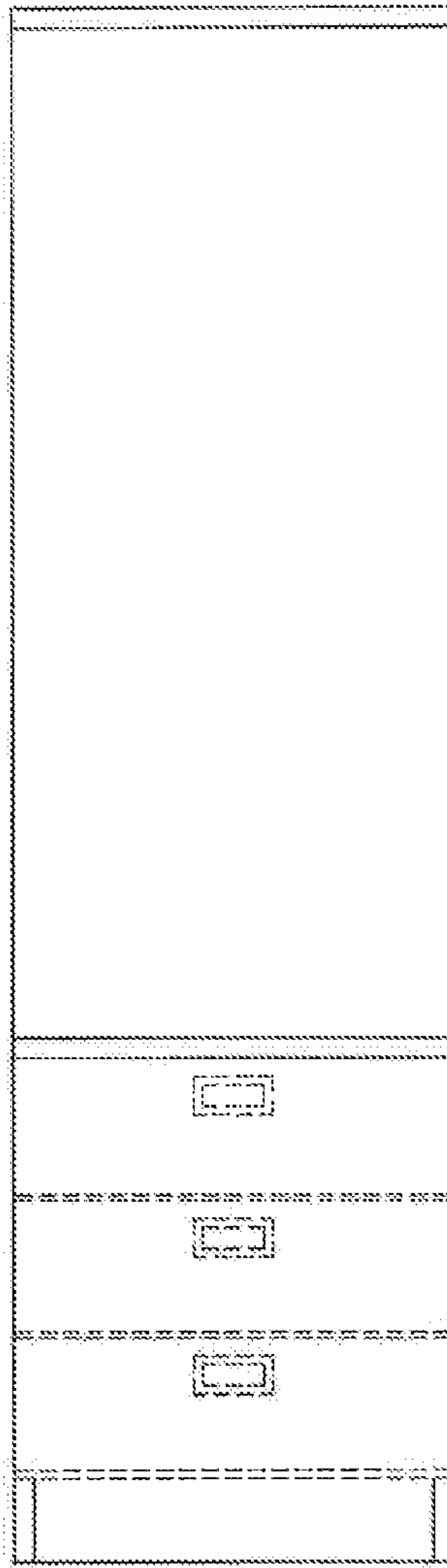


FIG. 10

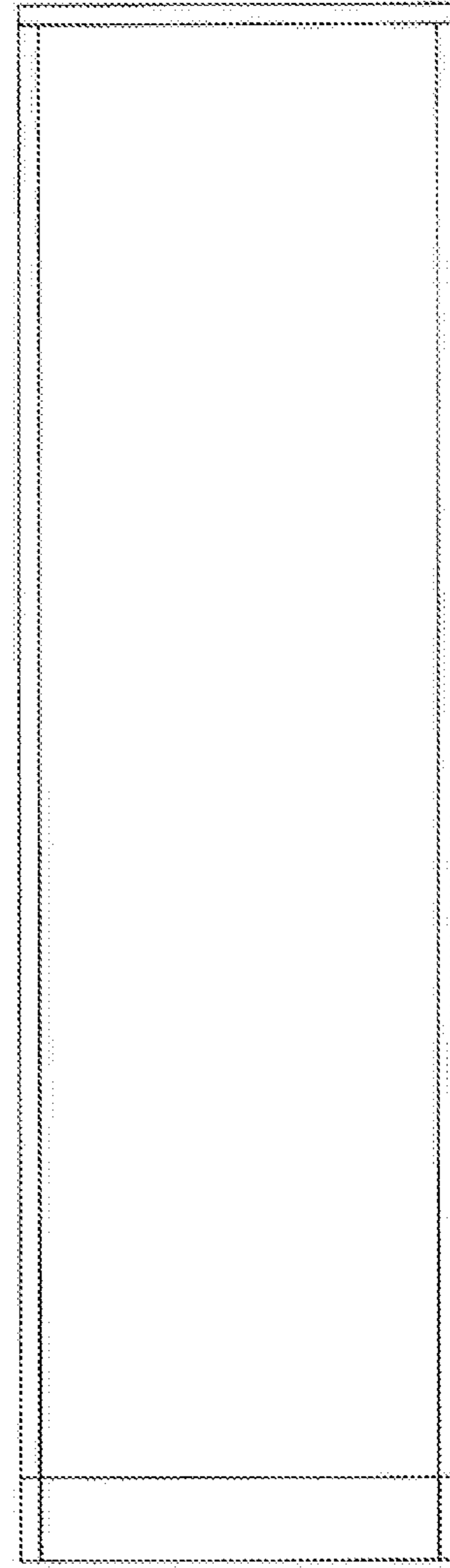


FIG. 11

FIG. 12

