



US00D672987S

(12) **United States Design Patent**
Hallberg et al.

(10) **Patent No.:** **US D672,987 S**
(45) **Date of Patent:** **** Dec. 25, 2012**

(54) **SEAT FRAME**

(75) Inventors: **Richard W. Hallberg**, Beverly Hills, CA (US); **Barbara J. Wiseley**, Montecito, CA (US); **Daniel C. Cuevas**, Los Angeles, CA (US)

(73) Assignee: **E.C. Group, Inc.**, Los Angeles, CA (US)

(**) Term: **14 Years**

(21) Appl. No.: **29/394,526**

(22) Filed: **Jun. 17, 2011**

(51) **LOC (9) Cl.** **06-01**

(52) **U.S. Cl.** **D6/502**

(58) **Field of Classification Search** D6/334–336,
D6/348, 360–381, 388, 498, 500–502, 601;
297/31, 35, 284.4–284.5, 291, 297, 411.2,
297/411.27–411.29, 440.13, 451.1, 452.13,
297/452.19, 452.21, 452.29, 452.3, 452.56,
297/452.64

See application file for complete search history.

(56) **References Cited**

U.S. PATENT DOCUMENTS

D41,571 S	7/1911	Moore	
D187,458 S	3/1960	Otto	
D309,063 S	7/1990	Kee	
D312,535 S	12/1990	Yau Kee	
D316,489 S *	4/1991	Frinier	D6/361
D384,830 S *	10/1997	Daniel	D6/388
D390,714 S *	2/1998	Goodman	D6/379
D411,379 S *	6/1999	Kreiss	D6/361
D420,830 S *	2/2000	Tseng	D6/381
D430,419 S *	9/2000	Chun	D6/380
D438,026 S *	2/2001	Frinier	D6/369
D446,399 S *	8/2001	Slear	D6/370
D447,355 S *	9/2001	Copeland	D6/380
D447,644 S *	9/2001	Buehler	D6/376
D449,175 S *	10/2001	Lin	D6/369
D462,192 S *	9/2002	Jaccoma et al.	D6/380
D482,206 S *	11/2003	Ciabatti	D6/376
D486,971 S *	2/2004	Tseng	D6/376
D487,198 S *	3/2004	Tseng	D6/376

D492,495 S *	7/2004	Barile et al.	D6/369
D502,334 S *	3/2005	Tseng	D6/376
D517,339 S *	3/2006	Tseng	D6/376

(Continued)

OTHER PUBLICATIONS

Mediterranean Iron Sofa, available from Tazi Designs, San Francisco, California, printout available online on Feb. 15, 2012, at http://www.tazidesigns.com/catalog/patio_furniture/seating/852, 3-pages, at least as early as Feb. 12, 2010.

(Continued)

Primary Examiner — Ricky Pham

(74) *Attorney, Agent, or Firm* — Heslin Rothenberg Farley & Mesiti P.C.

(57) **CLAIM**

The ornamental design for an seat frame, as shown and described.

DESCRIPTION

FIG. 1 is a perspective view of one embodiment of a seat frame in accordance with the new design configured as a dining chair;

FIG. 2 is a front elevational view thereof;

FIG. 3 is a right side elevational view thereof;

FIG. 4 is a left side elevational view thereof;

FIG. 5 is a rear elevational view thereof;

FIG. 6 is a top view thereof;

FIG. 7 is a perspective view of an alternative embodiment of the seat frame configured as a lounge chair;

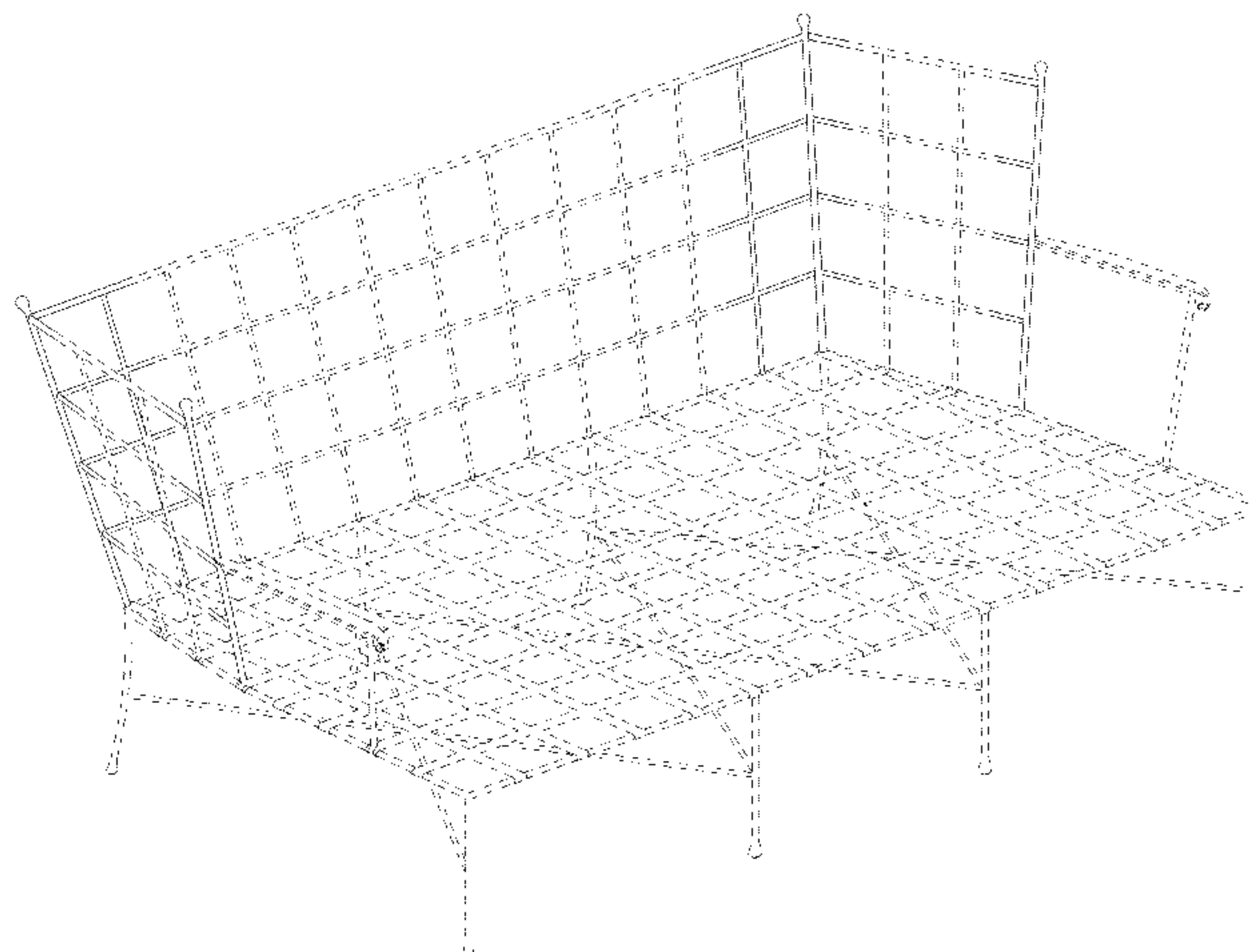
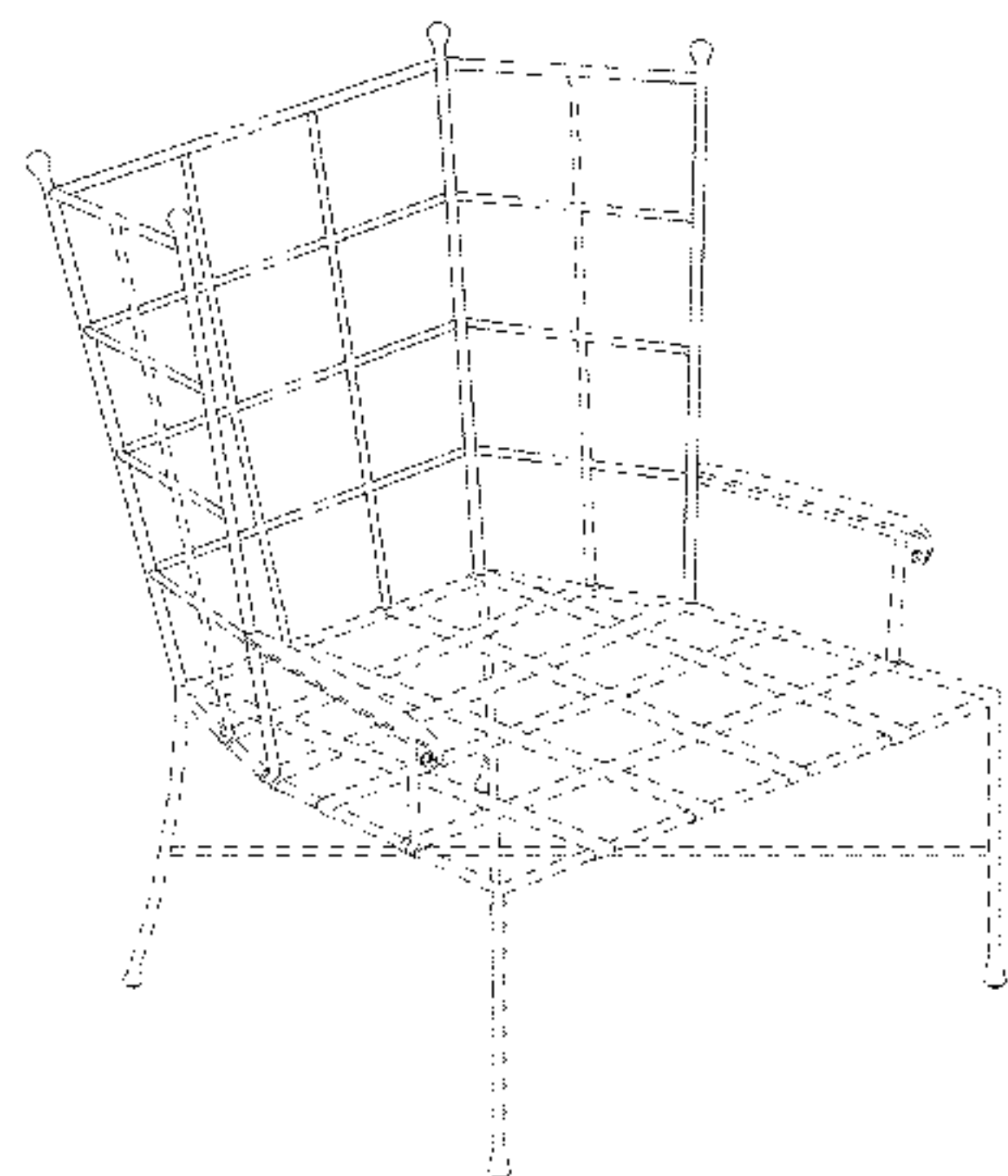
FIG. 8 is a perspective view of an alternative embodiment of the seat frame configured as a small sofa;

FIG. 9 is a perspective view of an alternative embodiment of the seat frame configured as a large sofa; and,

FIG. 10 is a perspective view of an alternative embodiment of the seat frame configured as a chaise.

The broken lines shown in the drawings are for illustrative purposes only and form no part of the claimed design.

1 Claim, 10 Drawing Sheets



U.S. PATENT DOCUMENTS

D522,767	S *	6/2006	Camp et al.	D6/376
D525,797	S *	8/2006	Lowsky	D6/369
D525,798	S *	8/2006	Lowsky	D6/370
D547,081	S *	7/2007	Wang	D6/370
D547,082	S *	7/2007	Wang	D6/370
D574,620	S *	8/2008	Lowsky	D6/370
D574,621	S *	8/2008	Lowsky	D6/370
D609,486	S *	2/2010	Lowsky	D6/369

OTHER PUBLICATIONS

Patio Furniture—Moroccan Bench and Mediterranean Chairs, available from Tazi Designs, San Francisco, California, printout available online on Feb. 15, 2012, at http://www.tazidesigns.com/catalog/patio_furniture/seating/, 33-pages, at least as early as Feb. 10, 2010.
 Romano Wrought Iron Chair, available from LeSouk.com, printout available online on May 26, 2011, at http://www.lesouk.com/tables/ref_r/WCRO1700r.htm, and price list, 3-pages, 2009.
 Tuscan Iron Sofa Chair, available from Tazi Designs, San Francisco, California, printout available online on May 26, 2011, at http://www.tazidesigns.com/catalog/patio_furniture/seating/307, 2-pages, Mar. 2008.

Patio Chair—Napa Armchair, available from Tazi Designs, San Francisco, California, printout available online on May 26, 2011, at http://www.tazidesigns.com/catalog/patio_furniture/seating/608, 2-pages, 2008.

Mediterranean Iron Sofa, available from Tazi Designs, San Francisco, California, printout available online on May 26, 2011, at http://www.tazidesigns.com/catalog/patio_furniture/seating/852, 2-pages.

Moroccan Furniture—Moroccan Seating, available from Tazi Designs, San Francisco, California, printout available online on May 26, 2011, at http://www.tazidesigns.com/catalog/wood_furniture/seating, 3-pages.

Salterini Iron Arm Chairs Ottomans & Table, available from Red Modern Furniture, Phoenix, Arizona, printout available online on May 26, 2011, <http://redmodernfurniture.com/2010/06/14/salterini-iron-arm-chairs-ottomans-table/>, 2-pages, early 1960's.

Hallberg et al., U.S. Appl. No. 29/394,527, filed Jun. 17, 2011, 10 pages.

* cited by examiner

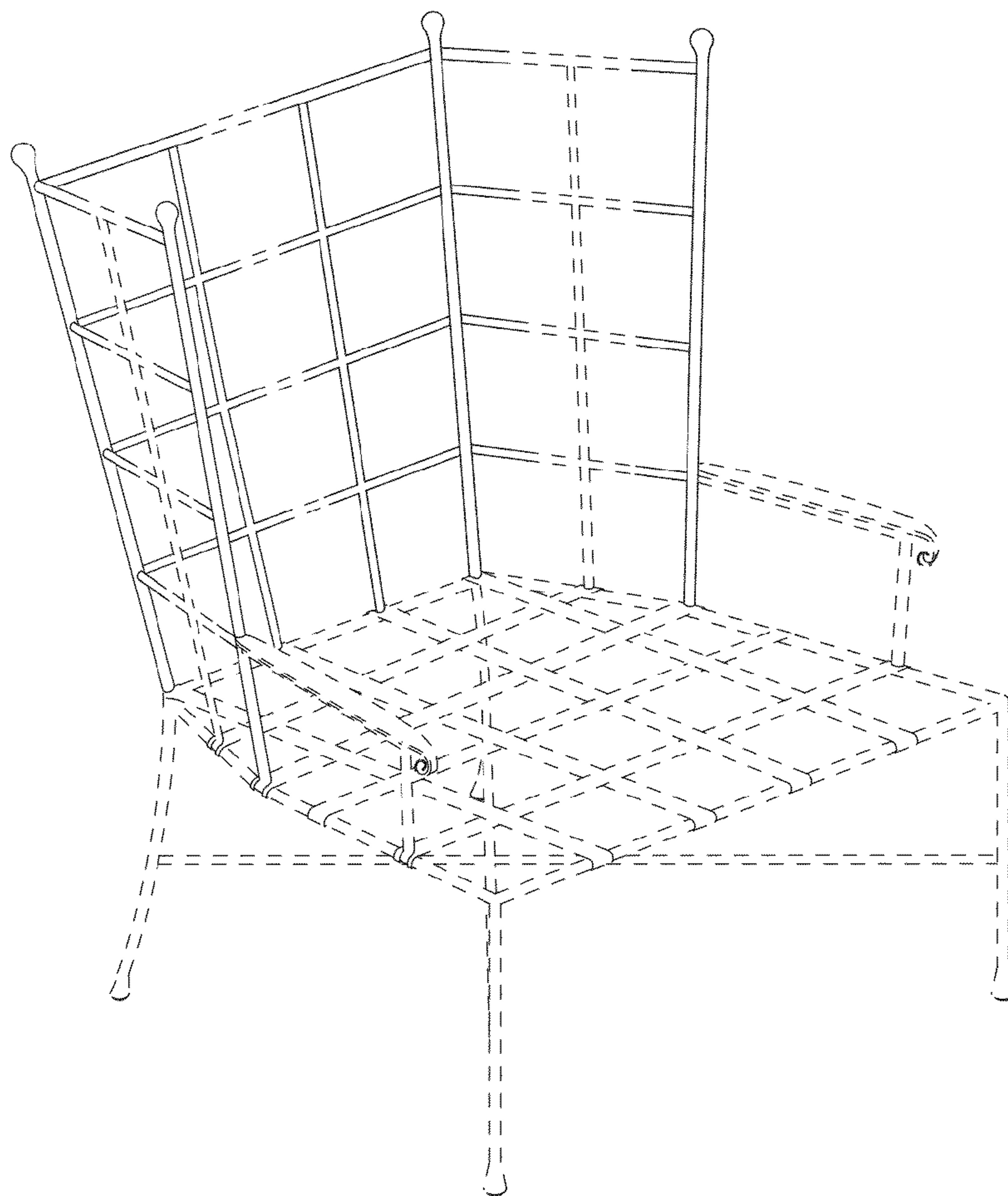


FIG. 1

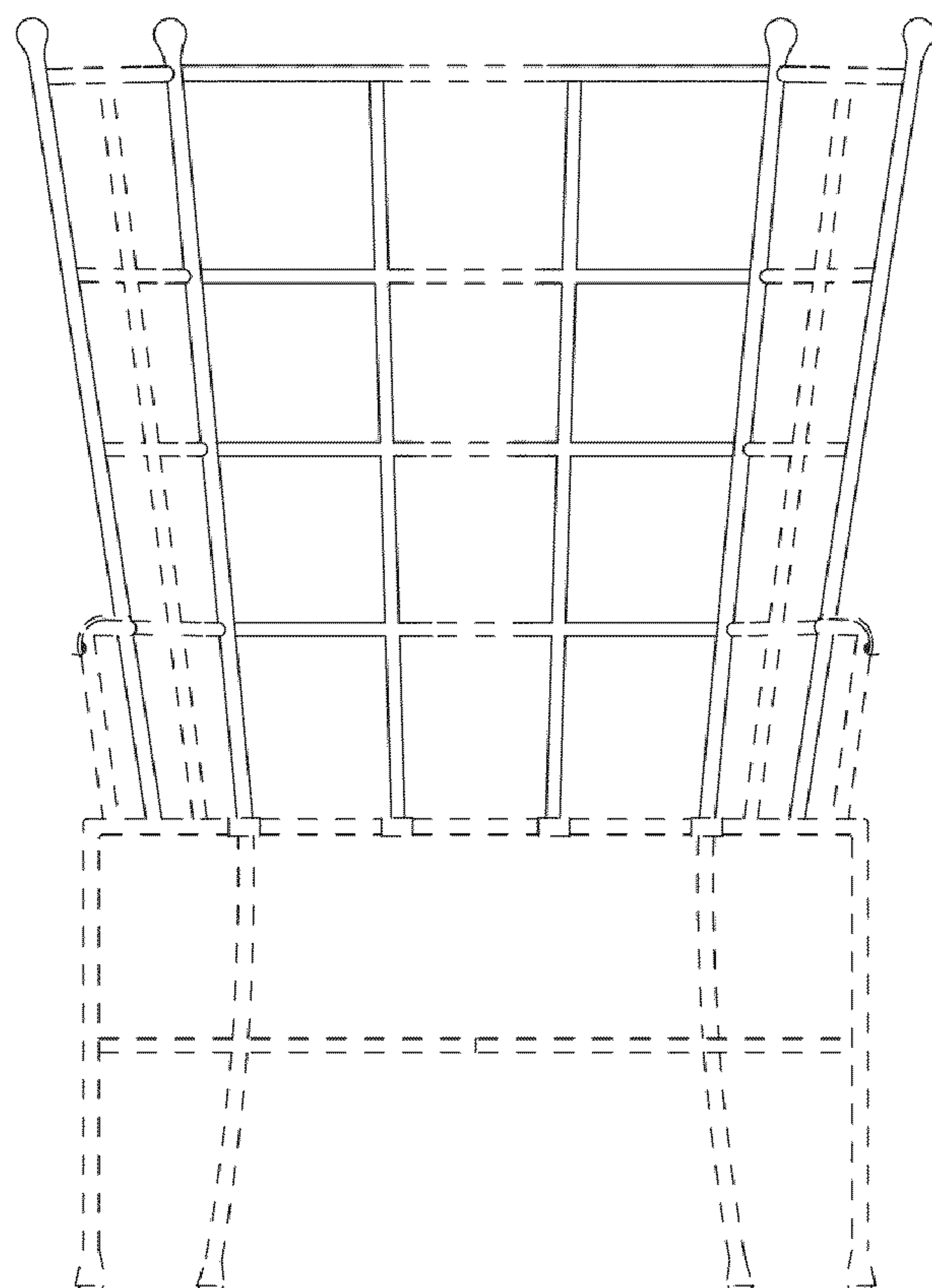


FIG. 2

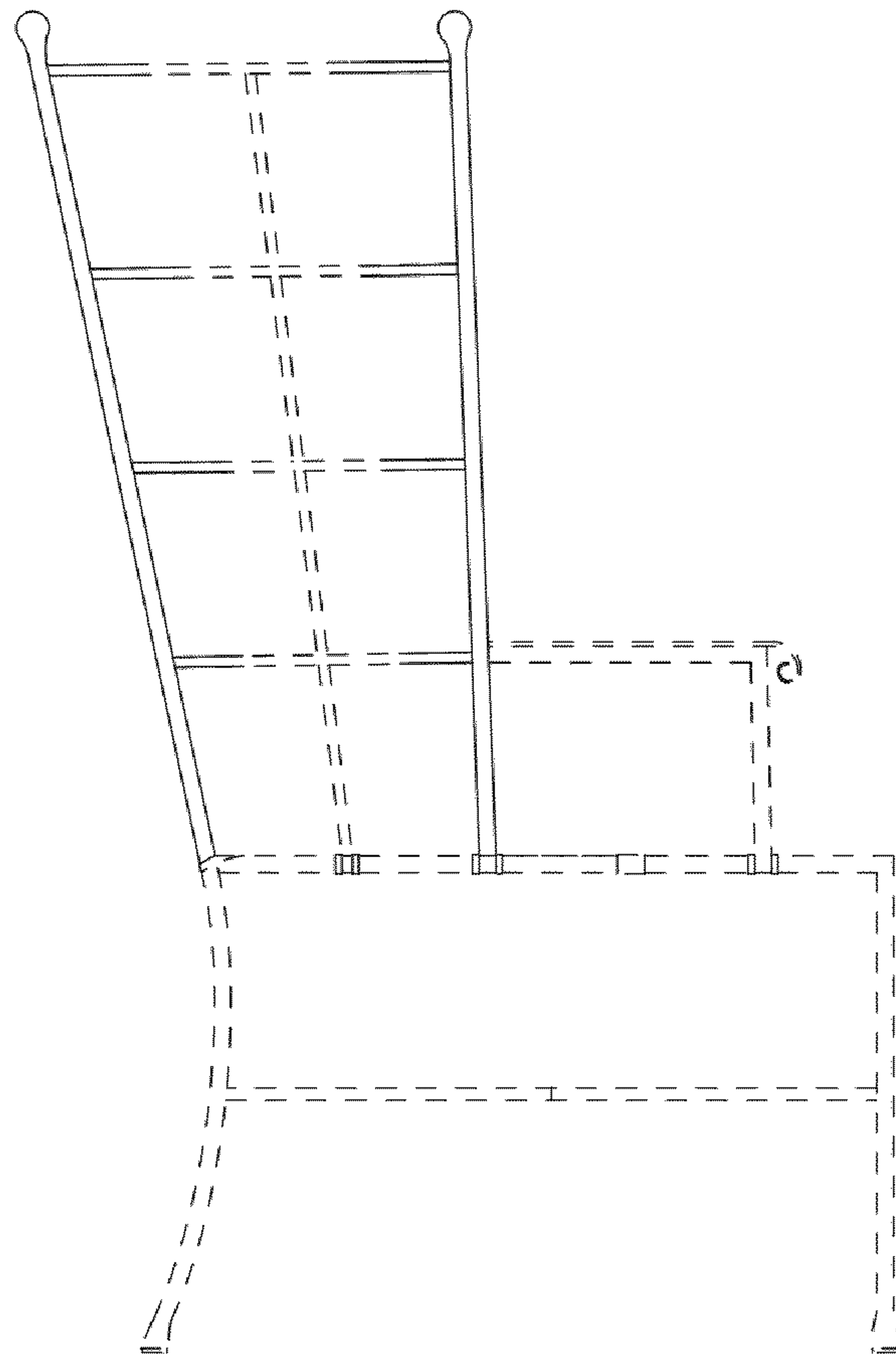


FIG. 3

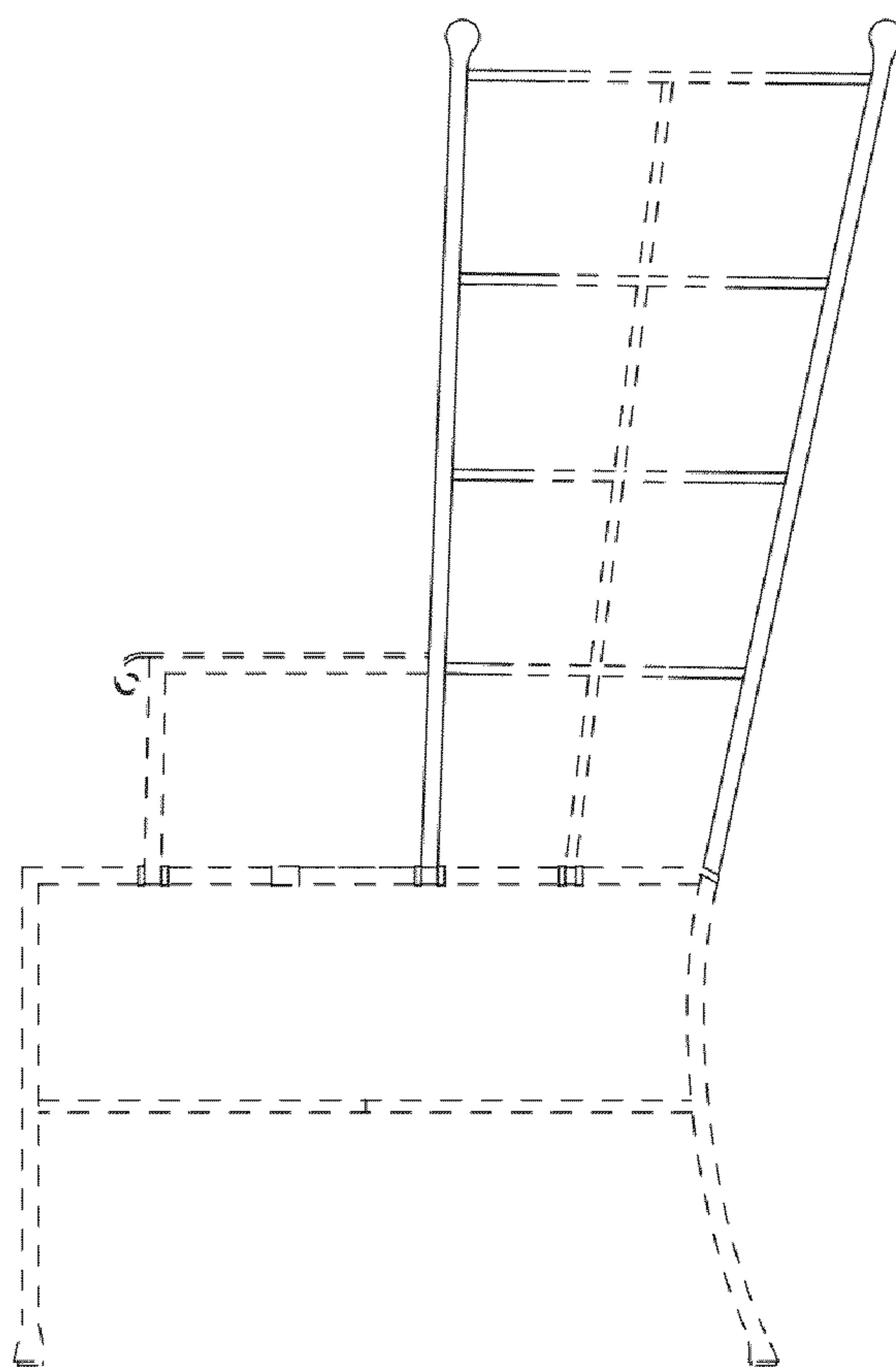


FIG. 4

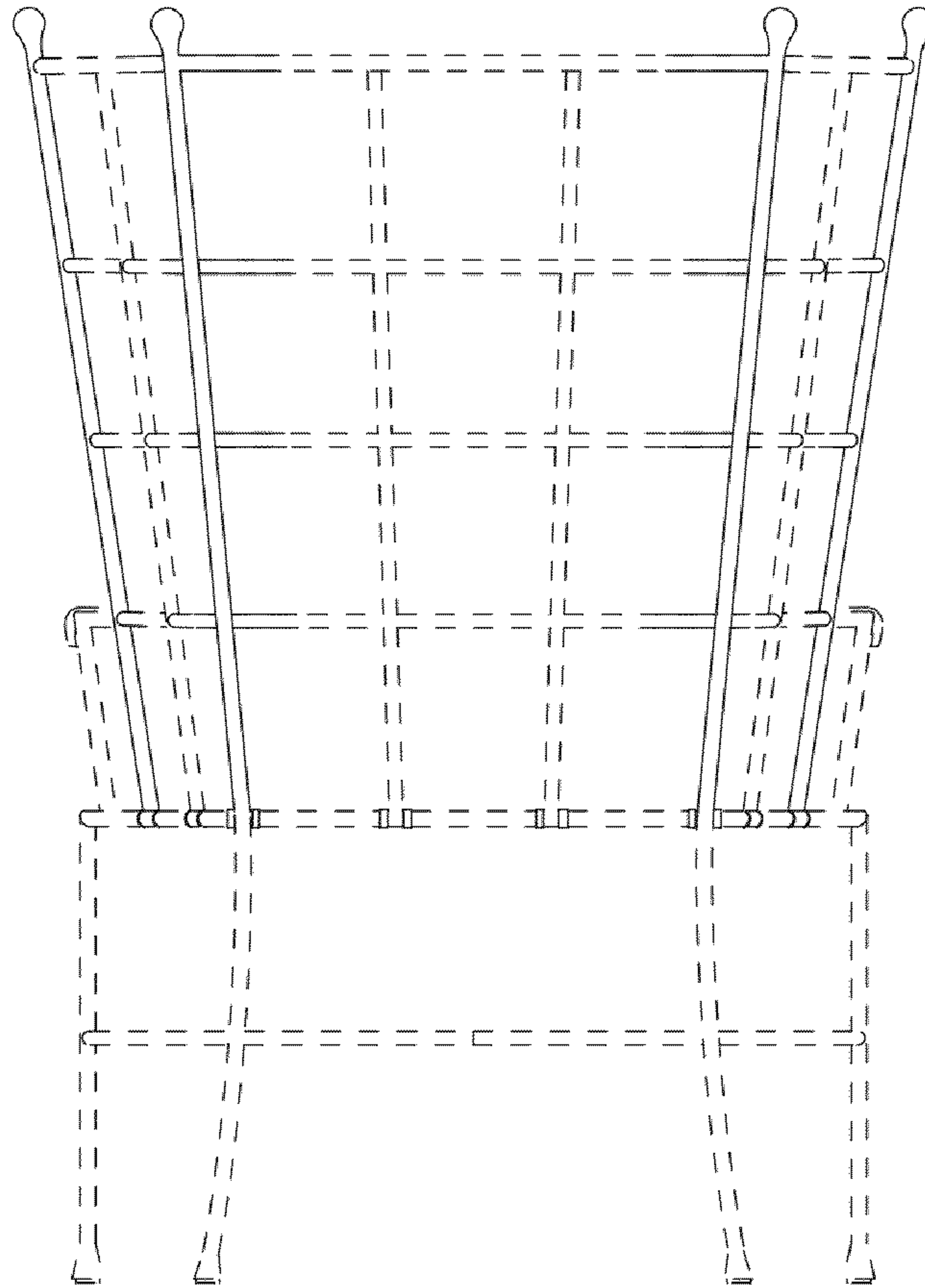


FIG. 5

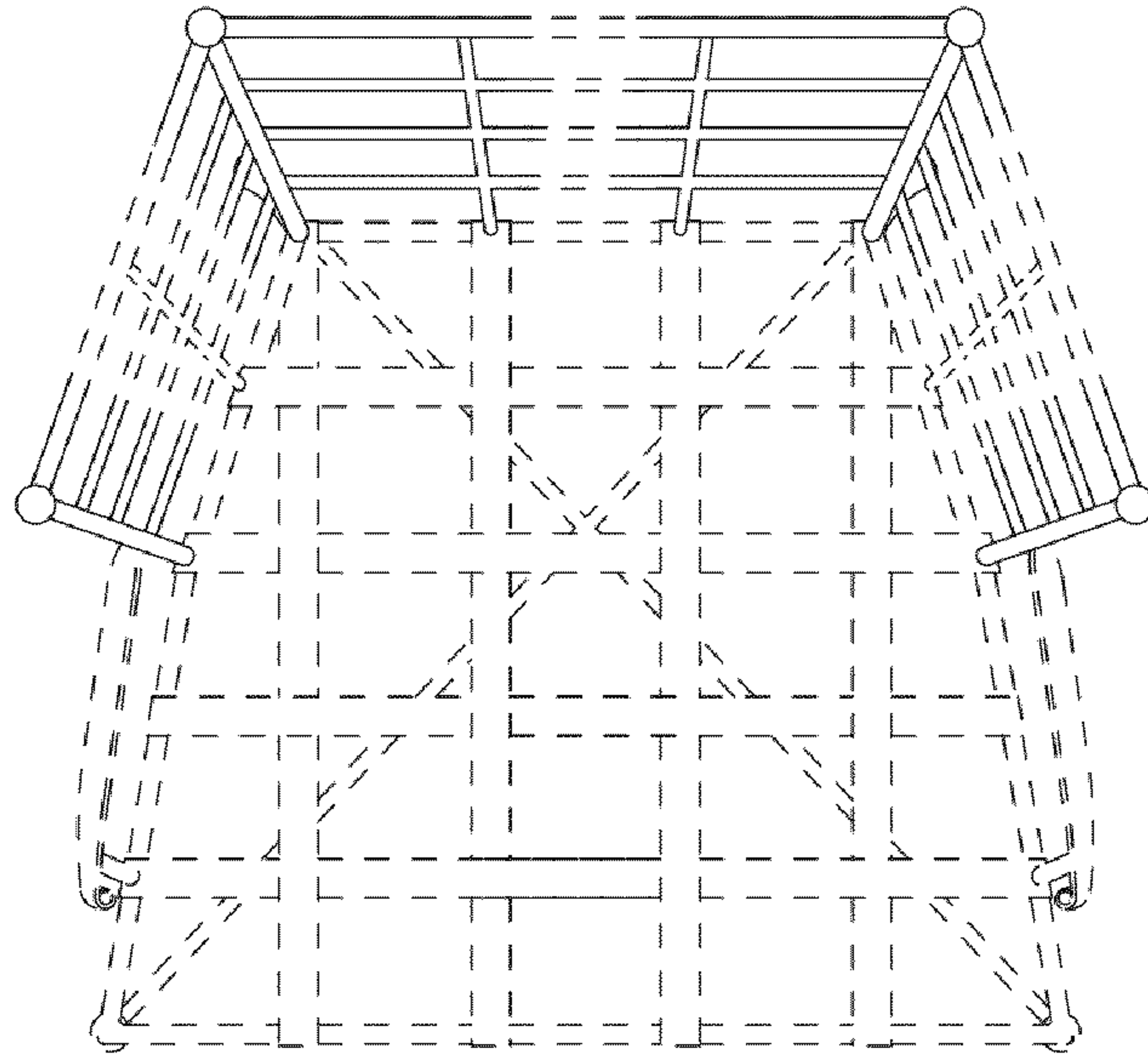


FIG. 6

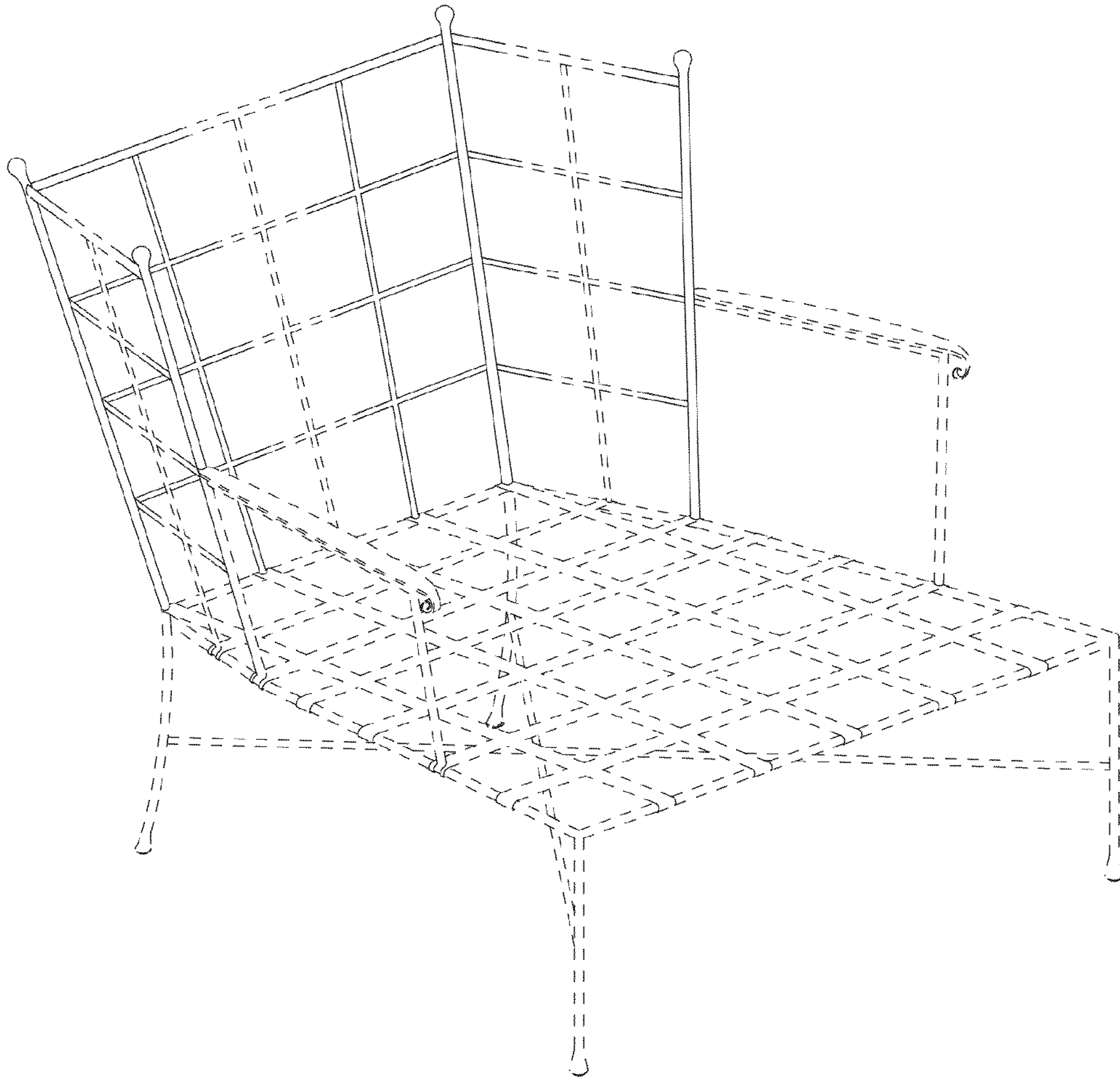


FIG. 7

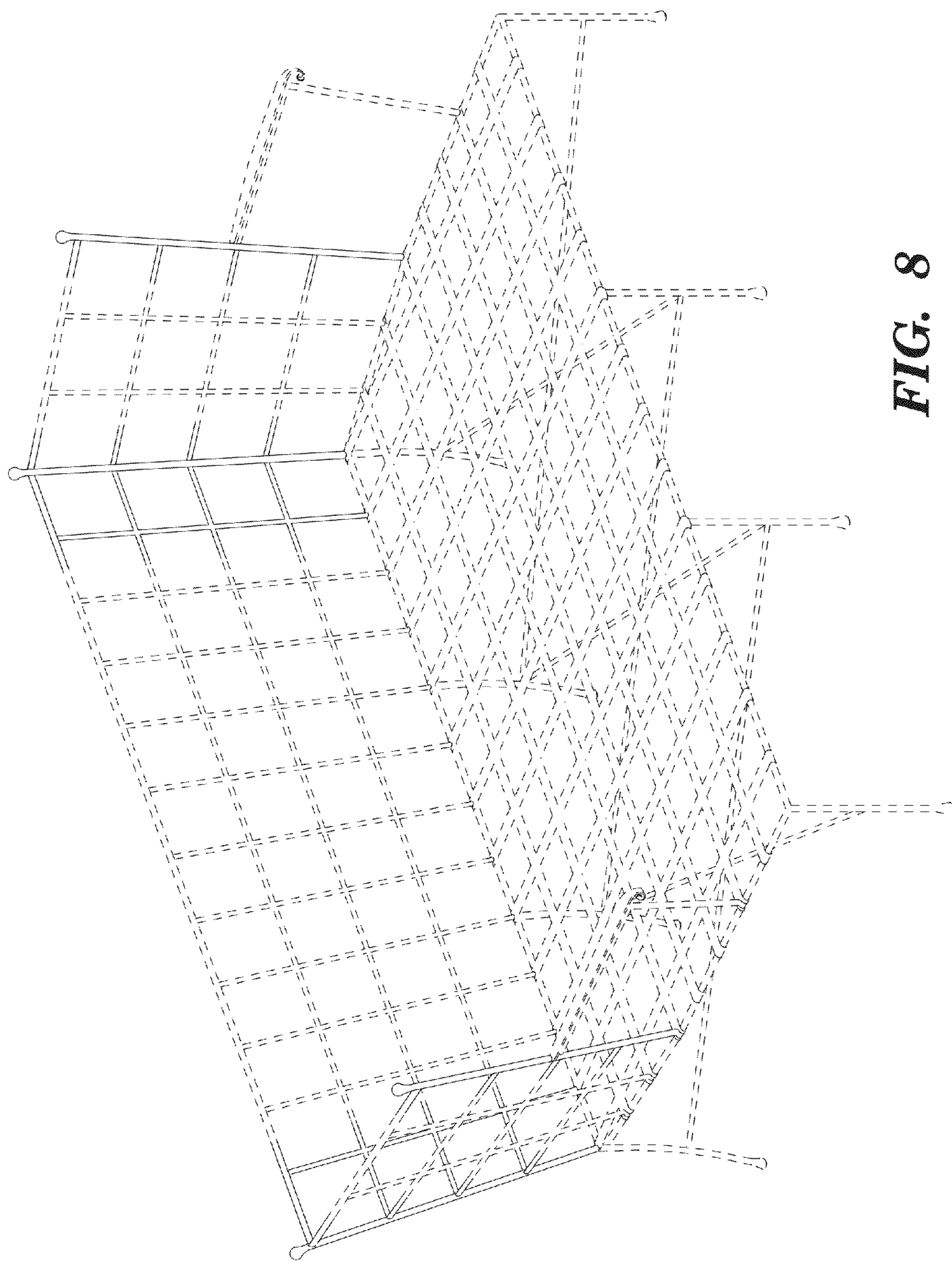


FIG. 8

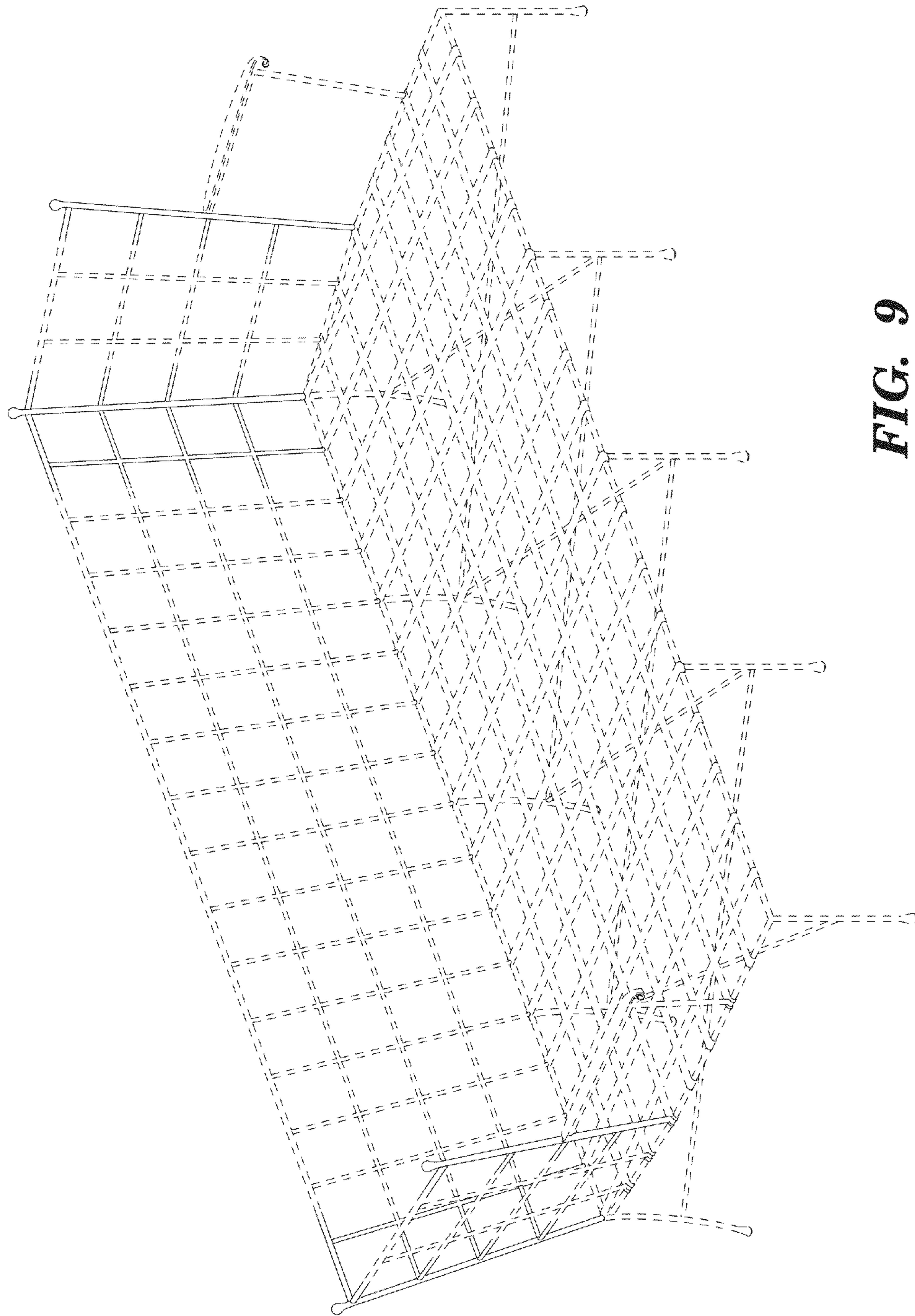


FIG. 9

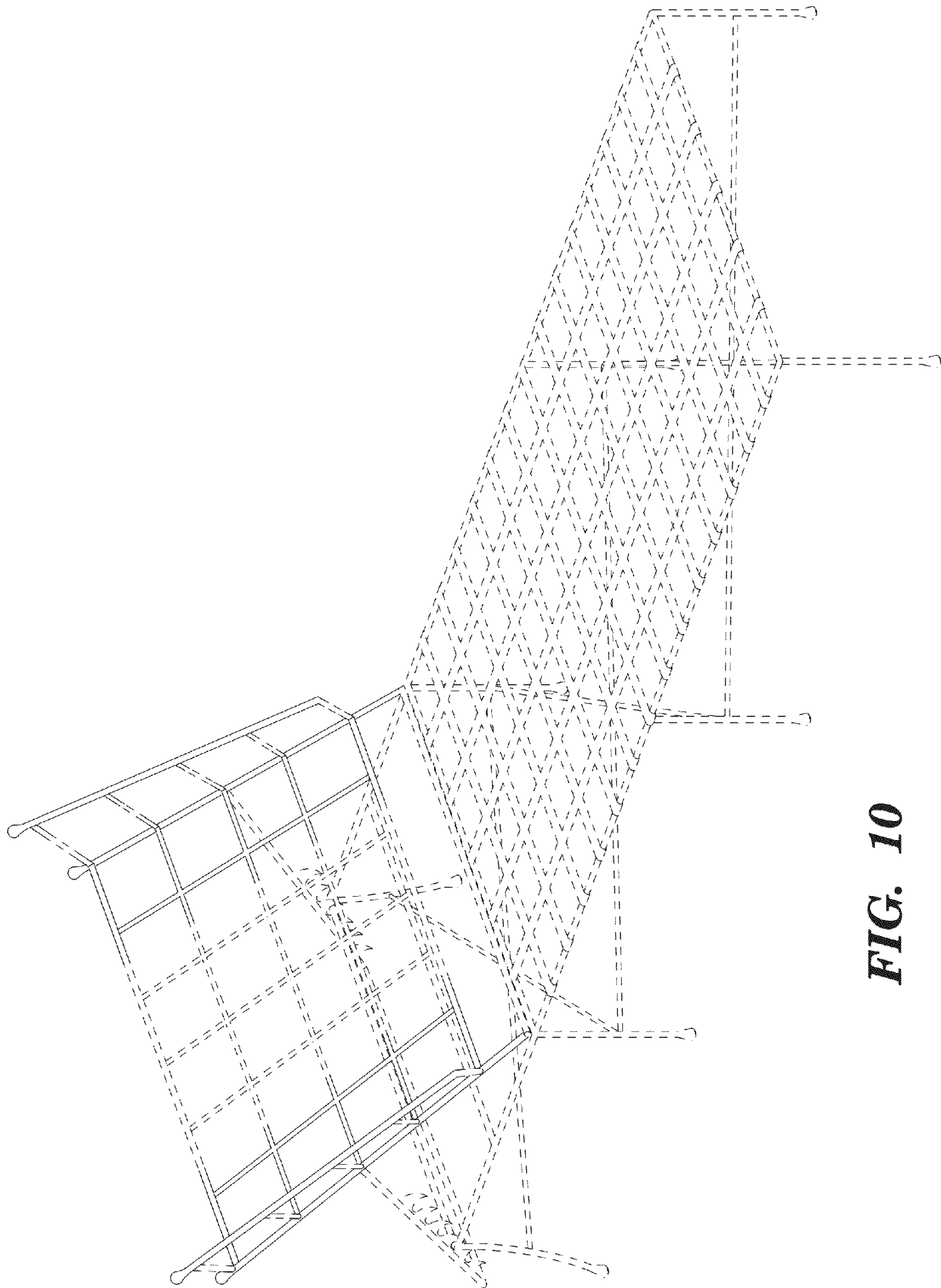


FIG. 10