

US00D672986S

(12) **United States Design Patent**
Whiteside et al.

(10) **Patent No.:** **US D672,986 S**
(45) **Date of Patent:** **** Dec. 25, 2012**

(54) **CHAIR FOR A MECHANIC**

(75) Inventors: **Kirt E. Whiteside**, Marion, OH (US);
Shane Obitts, Elyria, OH (US); **Kristin C. Mays**, Delaware, OH (US)

(73) Assignee: **Whiteside Mfg. Co.**, Delaware, OH (US)

(**) Term: **14 Years**

(21) Appl. No.: **29/405,402**

(22) Filed: **Nov. 2, 2011**

(51) **LOC (9) Cl.** **06-06**

(52) **U.S. Cl.** **D6/498**

(58) **Field of Classification Search** D6/334-336,
D6/349, 352, 353, 356, 366, 367, 375, 376,
D6/495, 498, 500-502; D34/23; 248/188.7;
280/32.6; 297/188.08, 296, 297, 452.12,
297/452.14

See application file for complete search history.

(56) **References Cited**

U.S. PATENT DOCUMENTS

4,549,765	A	10/1985	Hoch	
D353,058	S	12/1994	Dallas	
D365,935	S	1/1996	Dallas	
D399,626	S	10/1998	Taylor	
D410,128	S	5/1999	Dallas et al.	
6,010,187	A	1/2000	Dallas et al.	
D456,647	S	5/2002	Whiteside et al.	
D463,143	S *	9/2002	Riddle	D6/336
6,733,073	B2	5/2004	Whiteside et al.	
D511,416	S	11/2005	Obbitts et al.	
D530,108	S	10/2006	Whiteside et al.	

D531,419	S	11/2006	Whiteside et al.	
D531,423	S *	11/2006	Whiteside et al.	D6/367
D555,920	S	11/2007	Whiteside et al.	
D579,679	S *	11/2008	Qian et al.	D6/349
D608,558	S *	1/2010	Rush	D6/367
7,658,442	B1	2/2010	Whiteside et al.	
D625,526	S *	10/2010	Liuhong et al.	D6/335

OTHER PUBLICATIONS

Whiteside Catalog 93, 3 pages (1993).
R.E.L. Products, Inc. advertisement, 3 pages (undated).
Whiteside Catalog 97, p. 7 (1997).

* cited by examiner

Primary Examiner — Mimoso De

(74) *Attorney, Agent, or Firm* — Renner, Kenner, Greive, Bobak, Taylor & Weber

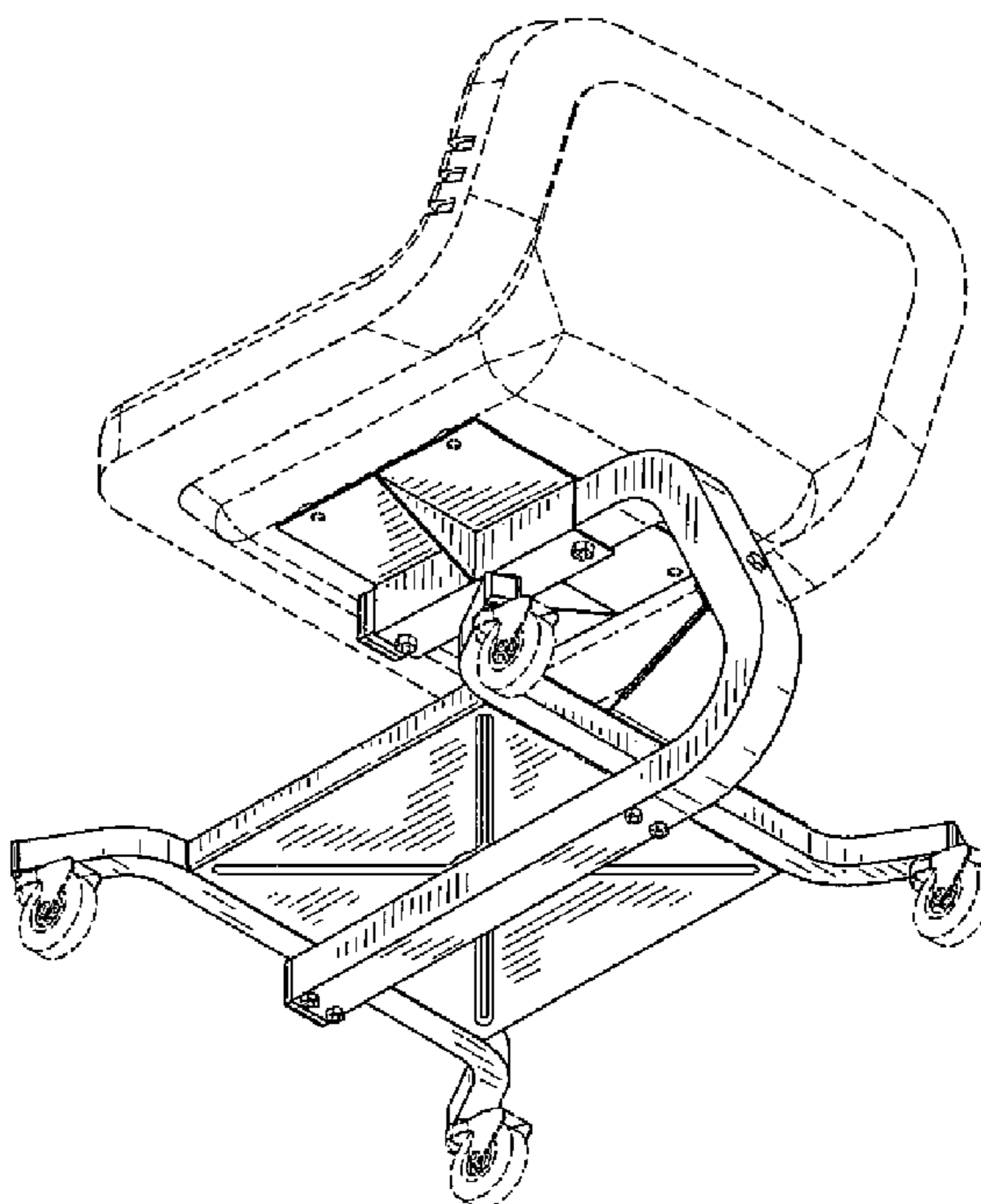
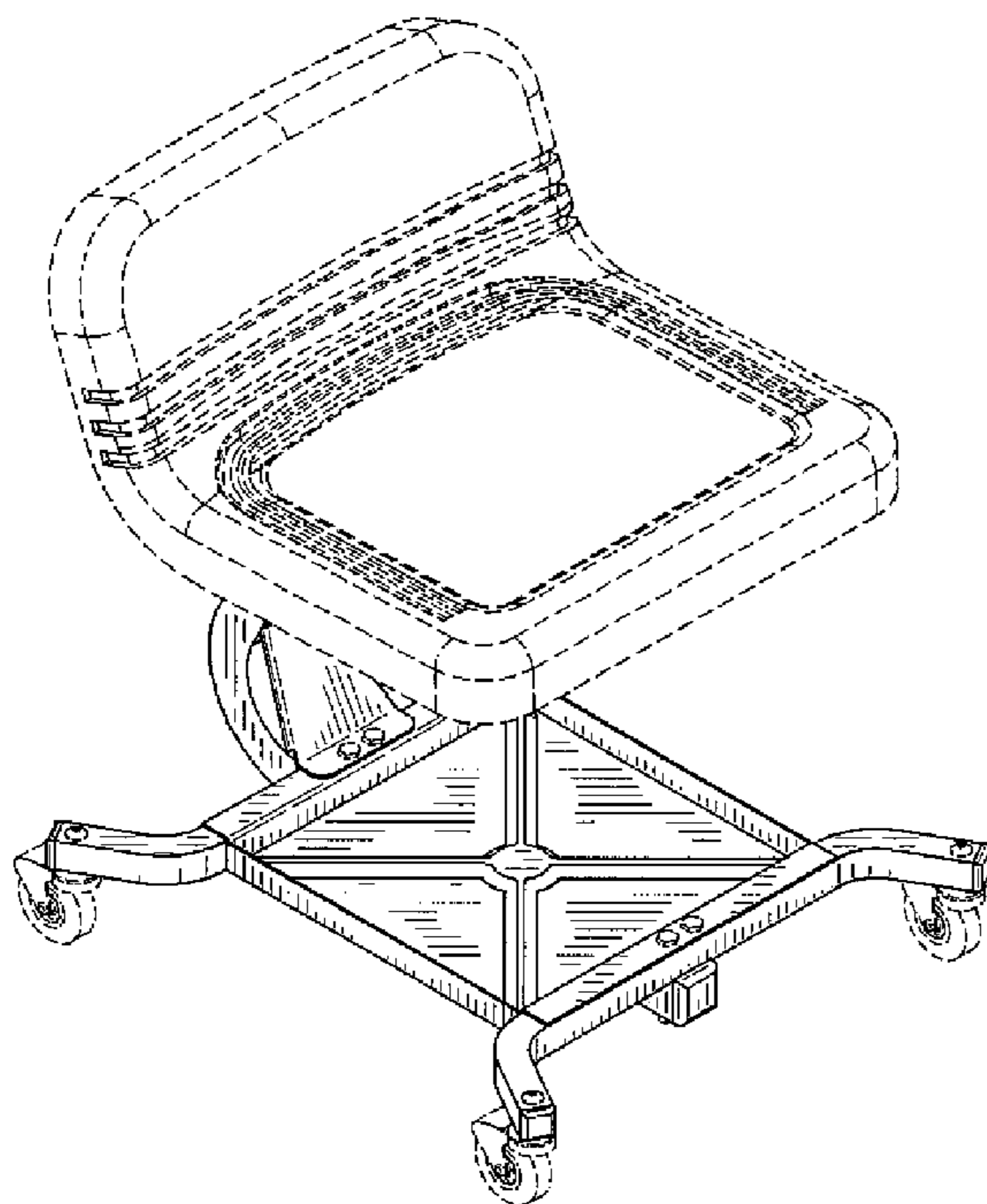
(57) **CLAIM**

The ornamental design for a chair for a mechanic, as shown and described.

DESCRIPTION

FIG. 1 is a front, top, right side perspective view of a chair for a mechanic showing our new design; FIG. 2 is a rear, bottom, right side perspective view thereof; FIG. 3 is a top plan view thereof; FIG. 4 is a bottom plan view thereof; FIG. 5 is a front elevational view thereof; FIG. 6 is a rear elevational view thereof; and, FIG. 7 is a left side elevational view thereof. The portions of the chair for a mechanic shown in broken lines are not part of the claimed design.

1 Claim, 3 Drawing Sheets



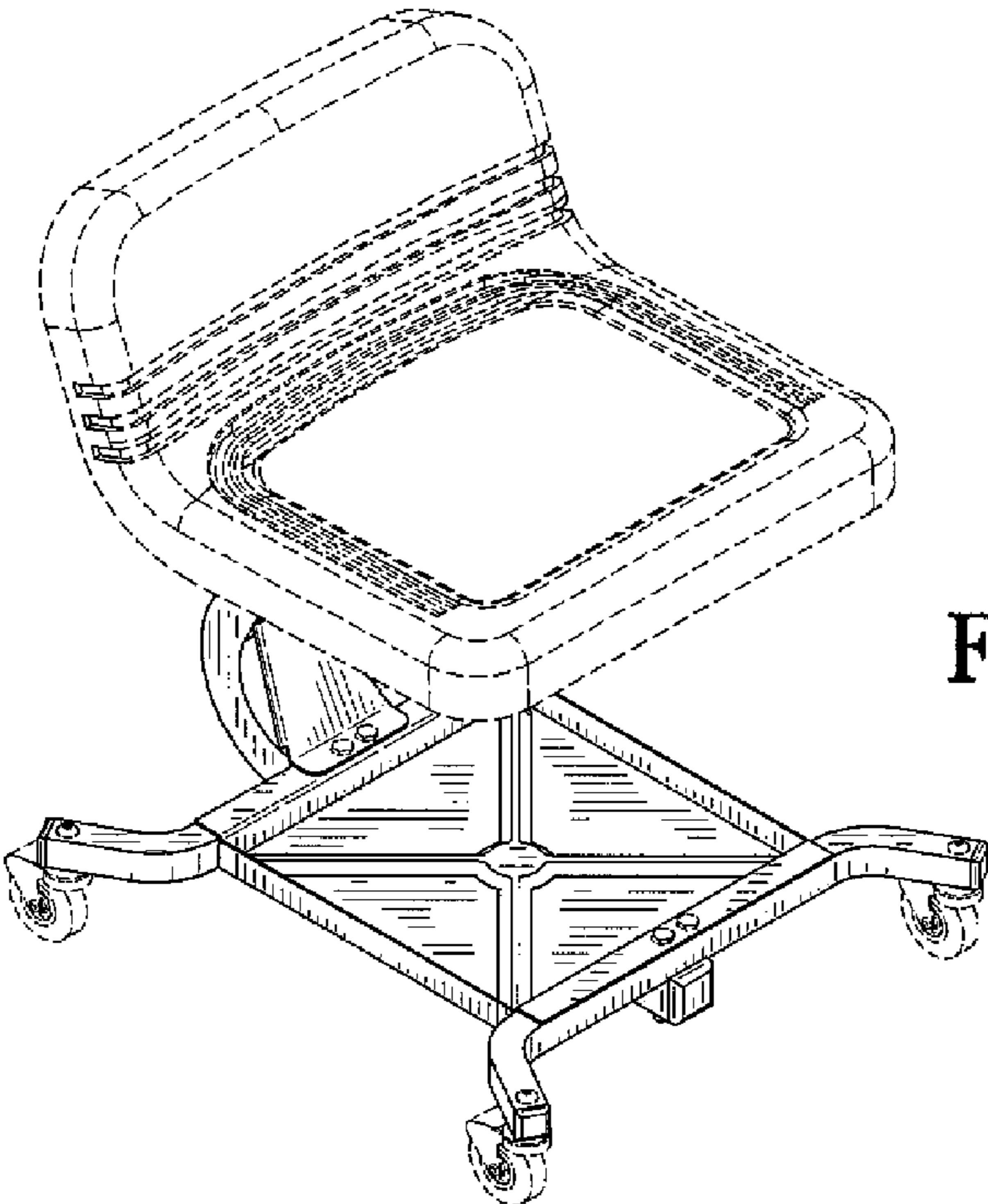


FIG-1

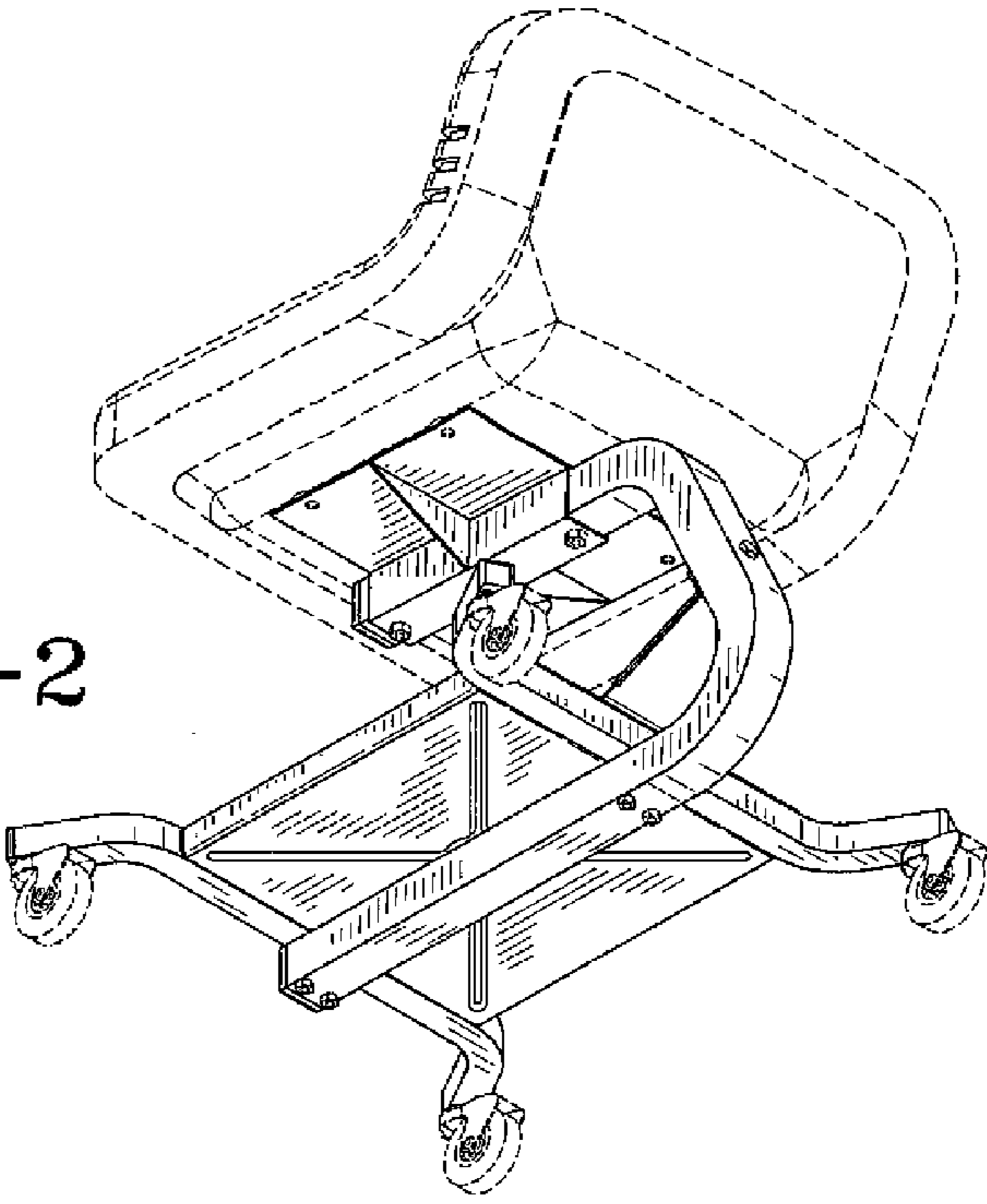


FIG-2

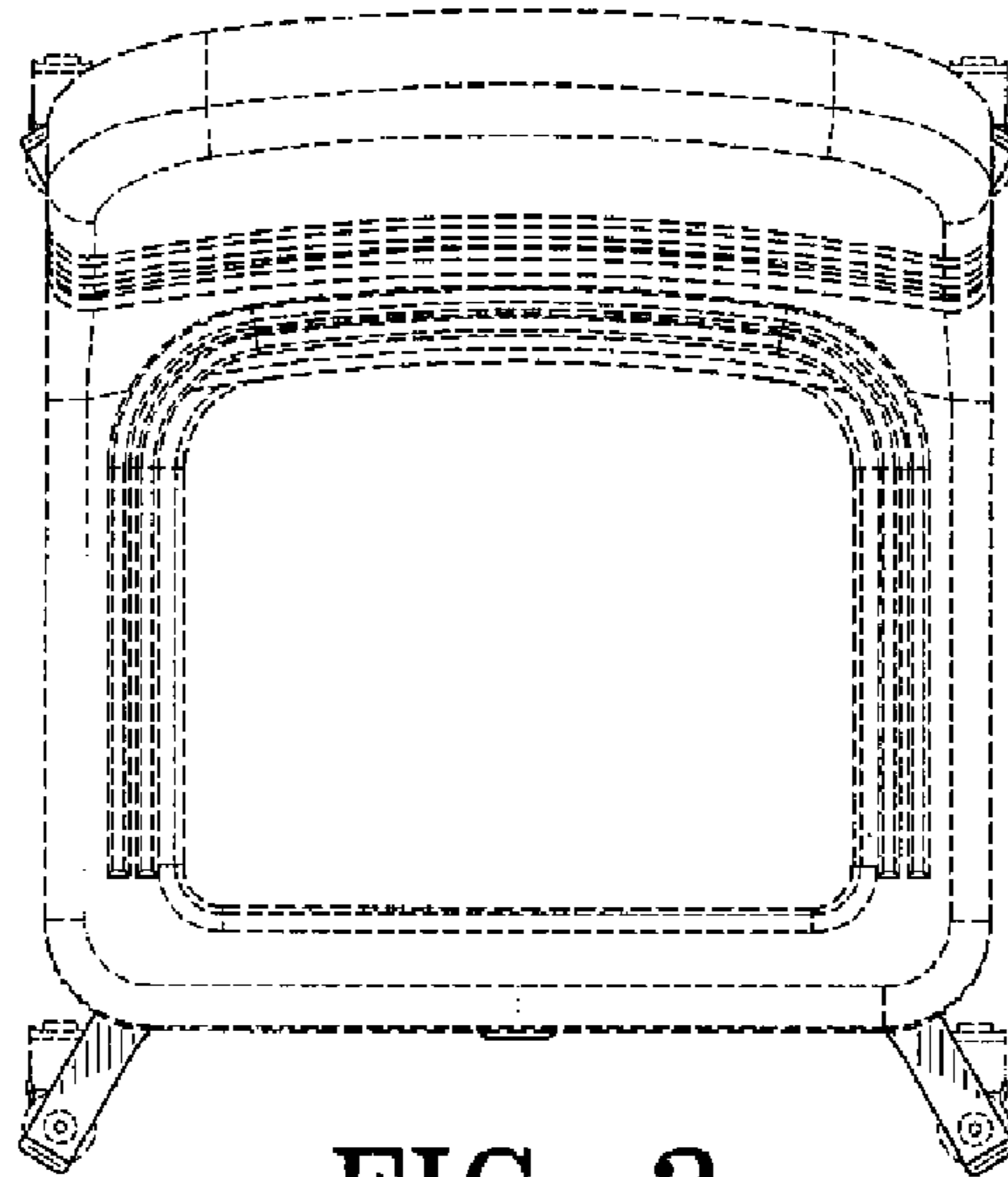


FIG-3

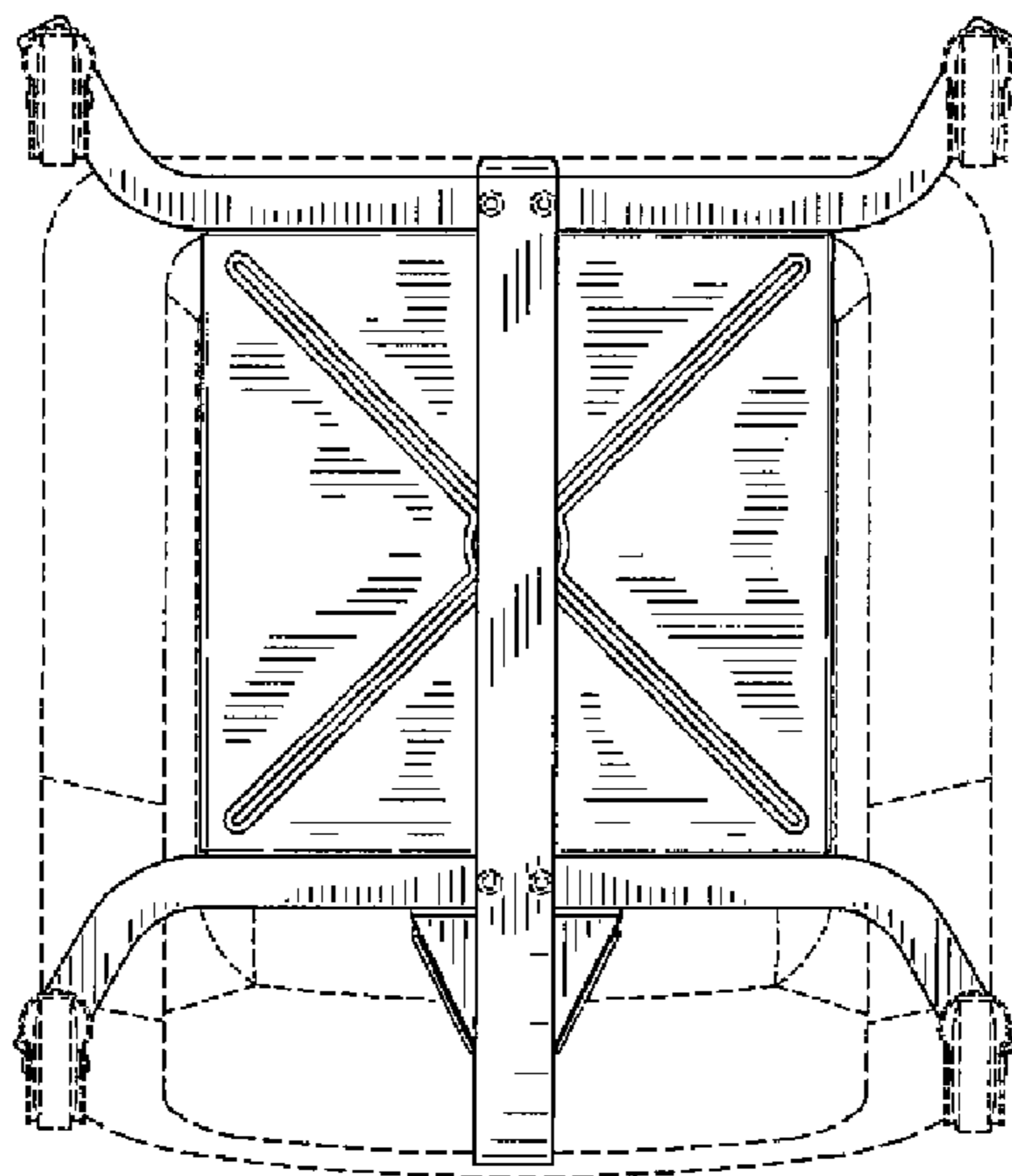


FIG-4

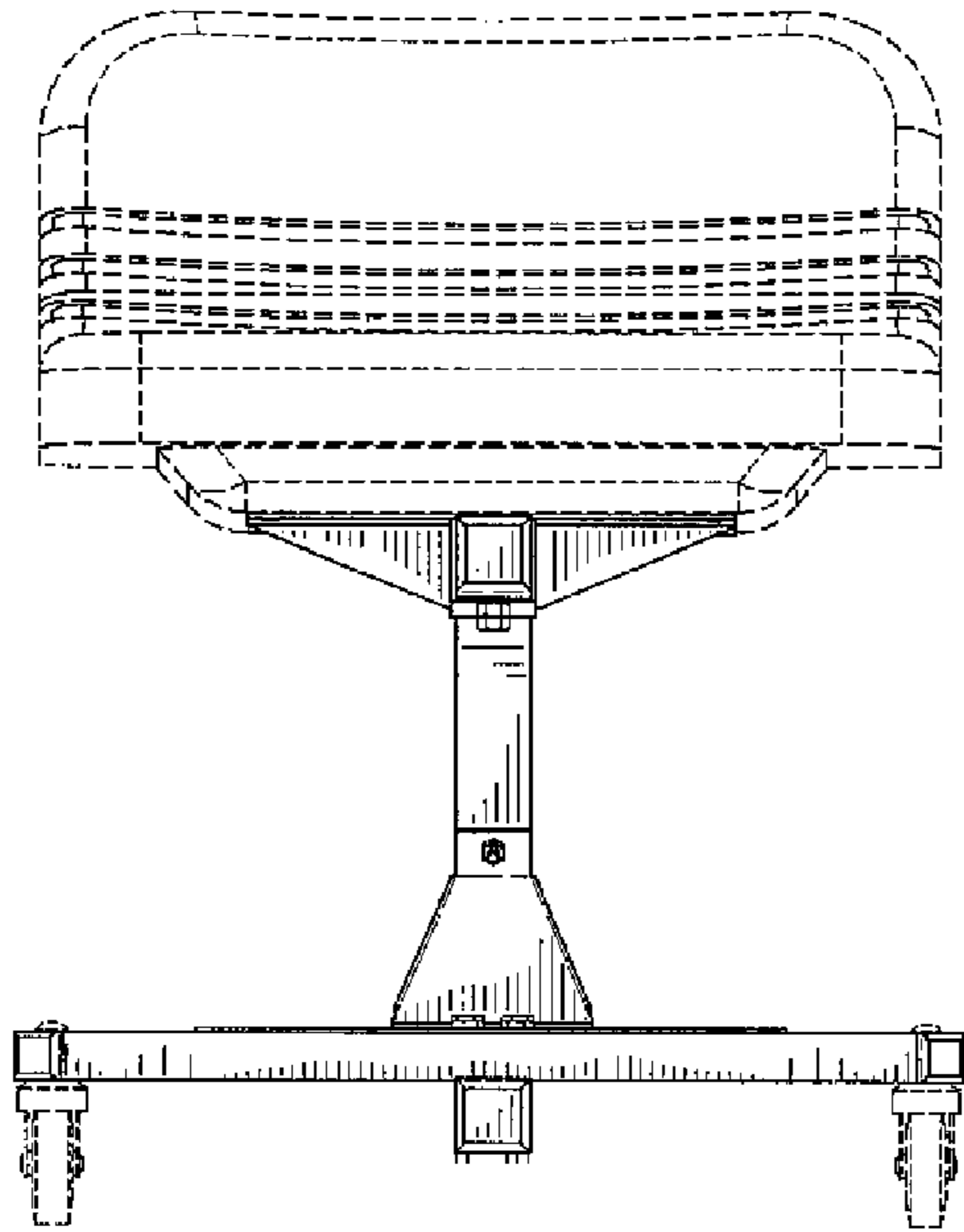


FIG-5

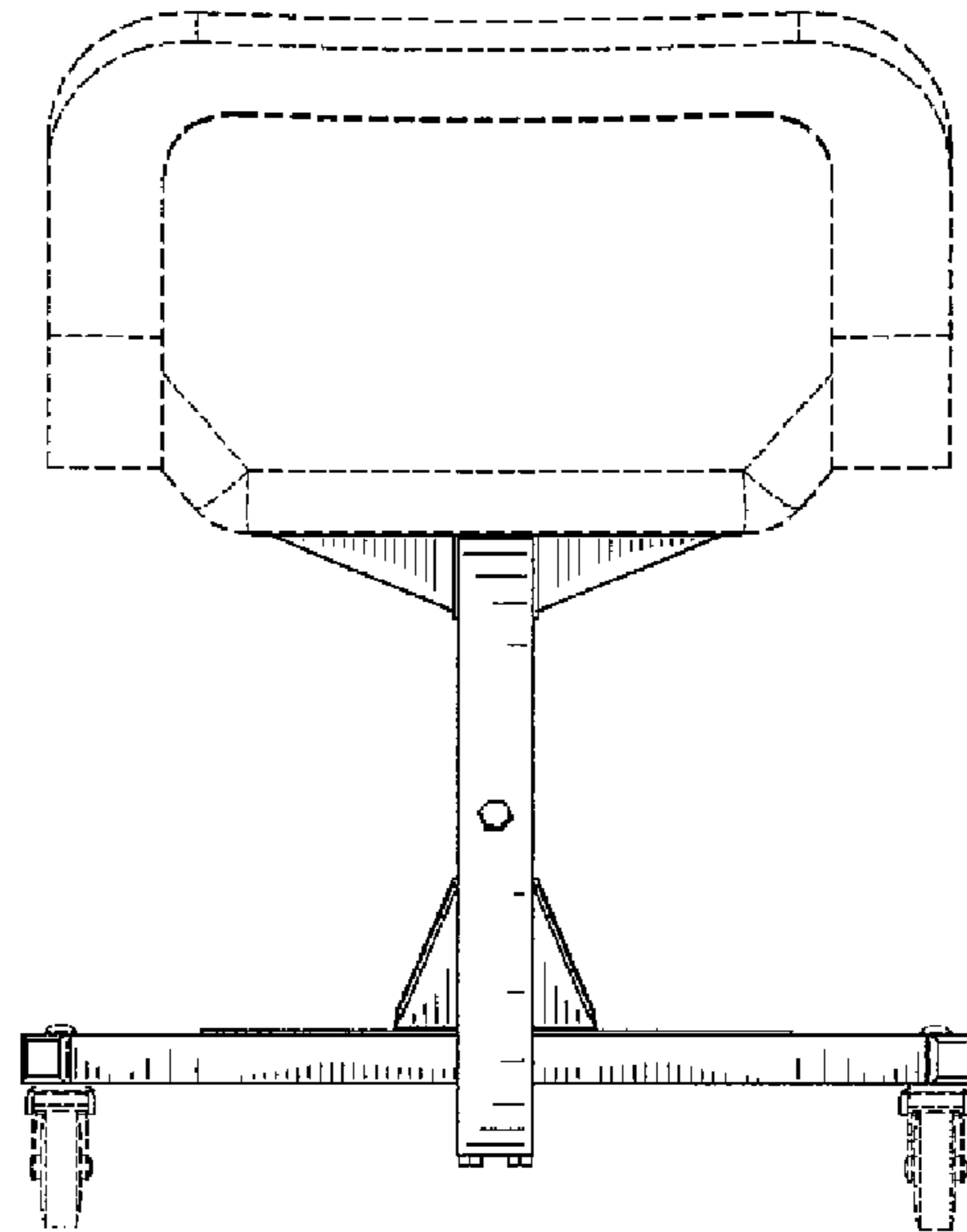


FIG-6

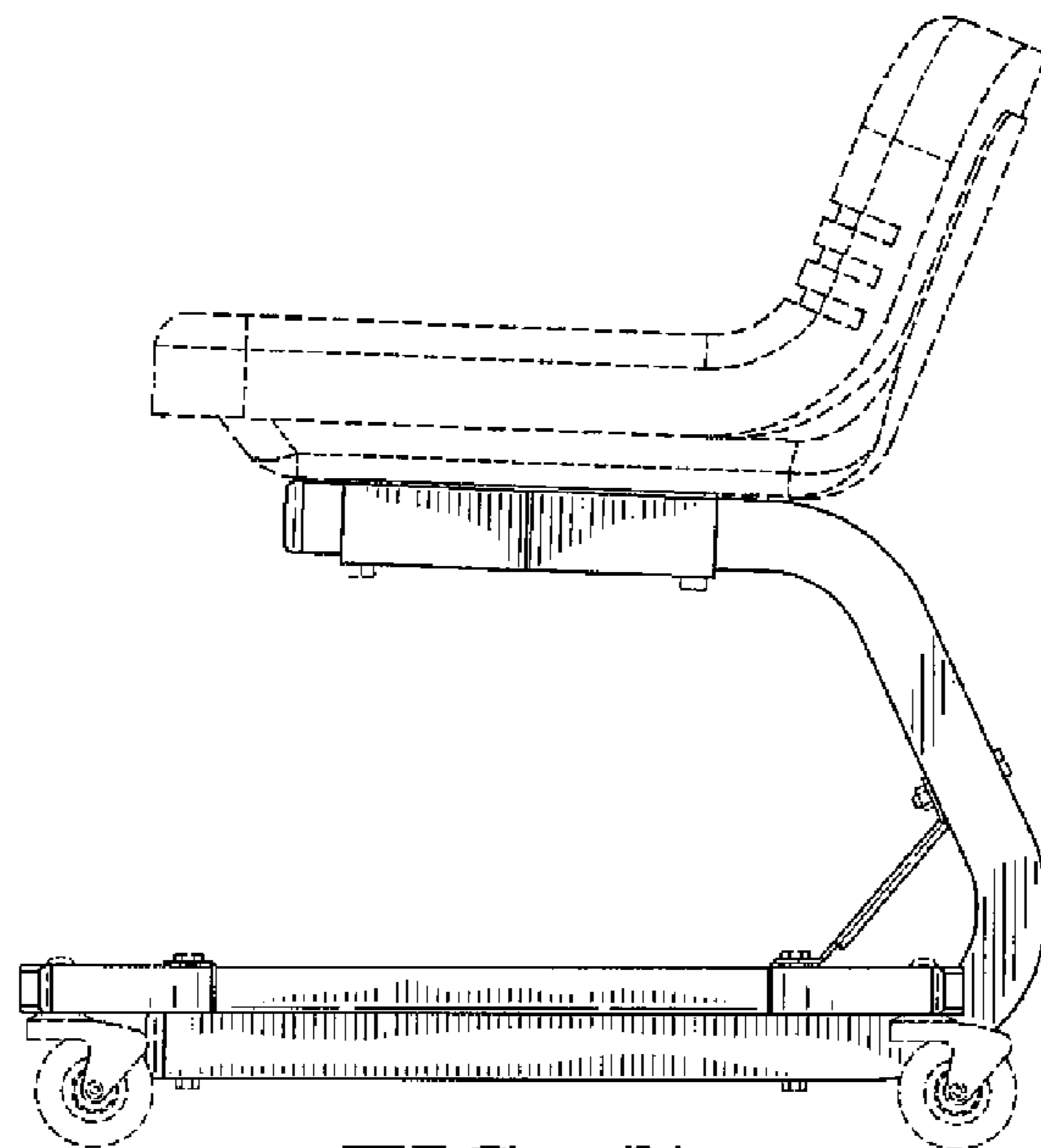


FIG-7