

US00D672985S

(12) **United States Design Patent**  
**Waddy**

(10) **Patent No.:** **US D672,985 S**

(45) **Date of Patent:** **\*\* Dec. 25, 2012**

(54) **HAMMOCK DESIGN**

(76) Inventor: **Kenneth Brandon Waddy**, Evergreen,  
CO (US)

(\*\*) Term: **14 Years**

(21) Appl. No.: **29/427,025**

(22) Filed: **Jul. 12, 2012**

(51) **LOC (9) Cl.** ..... **06-02**

(52) **U.S. Cl.** ..... **D6/487**

(58) **Field of Classification Search** ..... D6/382–387,  
D6/499; 5/120–123, 127, 128, 130  
See application file for complete search history.

(56) **References Cited**

**U.S. PATENT DOCUMENTS**

717,119	A	12/1902	Potter	
2,467,890	A *	4/1949	Harvey	5/122
4,686,720	A *	8/1987	Newell	5/121
5,913,772	A	6/1999	Clark	
7,020,915	B1	4/2006	Helsdon	
D607,662	S *	1/2010	Ellison	D6/387
7,699,068	B2 *	4/2010	Helsdon	135/90
2005/0177938	A1 *	8/2005	Steiner	5/121

\* cited by examiner

*Primary Examiner* — Janice Seeger

(74) *Attorney, Agent, or Firm* — Mark D. Trenner; Trenner Law Firm, LLC

(57) **CLAIM**

The ornamental design for a hammock, substantially as shown in the attached drawings.

**DESCRIPTION**

FIG. 1 is a perspective view of the hammock, with a removable netting cover, and having side pockets on each of the two sides of the hammock (only one side is visible in FIG. 1), wherein straps to support the hammock are shown in dashed lines and do not form a part of the hammock design;

FIG. 2 is another perspective view of the hammock shown in FIG. 1, wherein the netting cover is shown removed and rolled up at the foot of the hammock;

FIG. 3 is a left plan view corresponding to FIG. 1, wherein the right plan view is a mirror image of the right plan view and therefore not shown;

FIG. 4 is a back (or head) plan view corresponding to FIG. 1, wherein the pockets on each side can be seen hanging down from the hammock;

FIG. 5 is a front (or foot) plan view corresponding to FIG. 1, wherein the pockets on each side can be seen hanging down from the hammock;

FIG. 6 is a top plan view corresponding to FIG. 1; and,

FIG. 7 is a bottom plan view corresponding to FIG. 1.

**1 Claim, 6 Drawing Sheets**

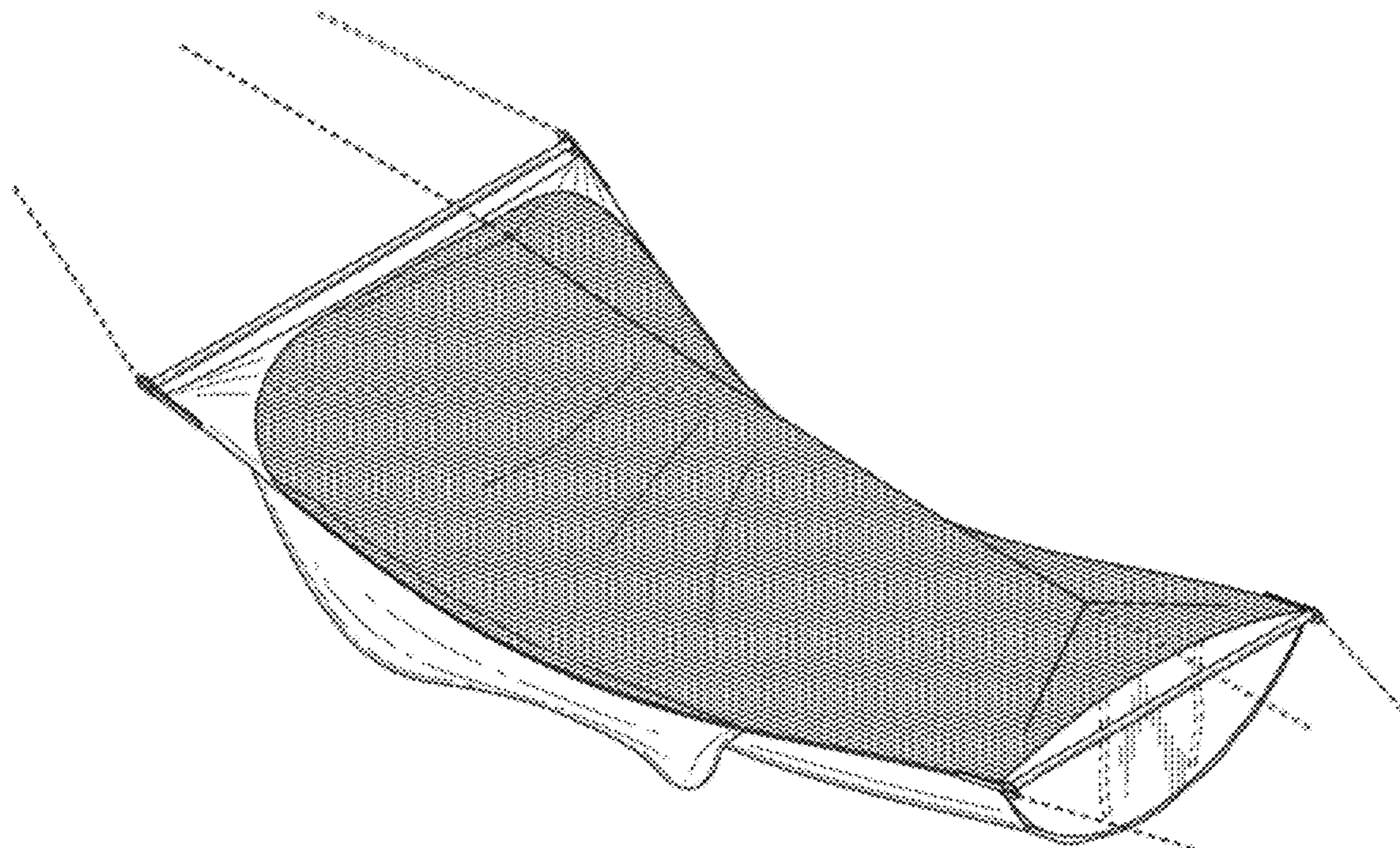


FIG. 1

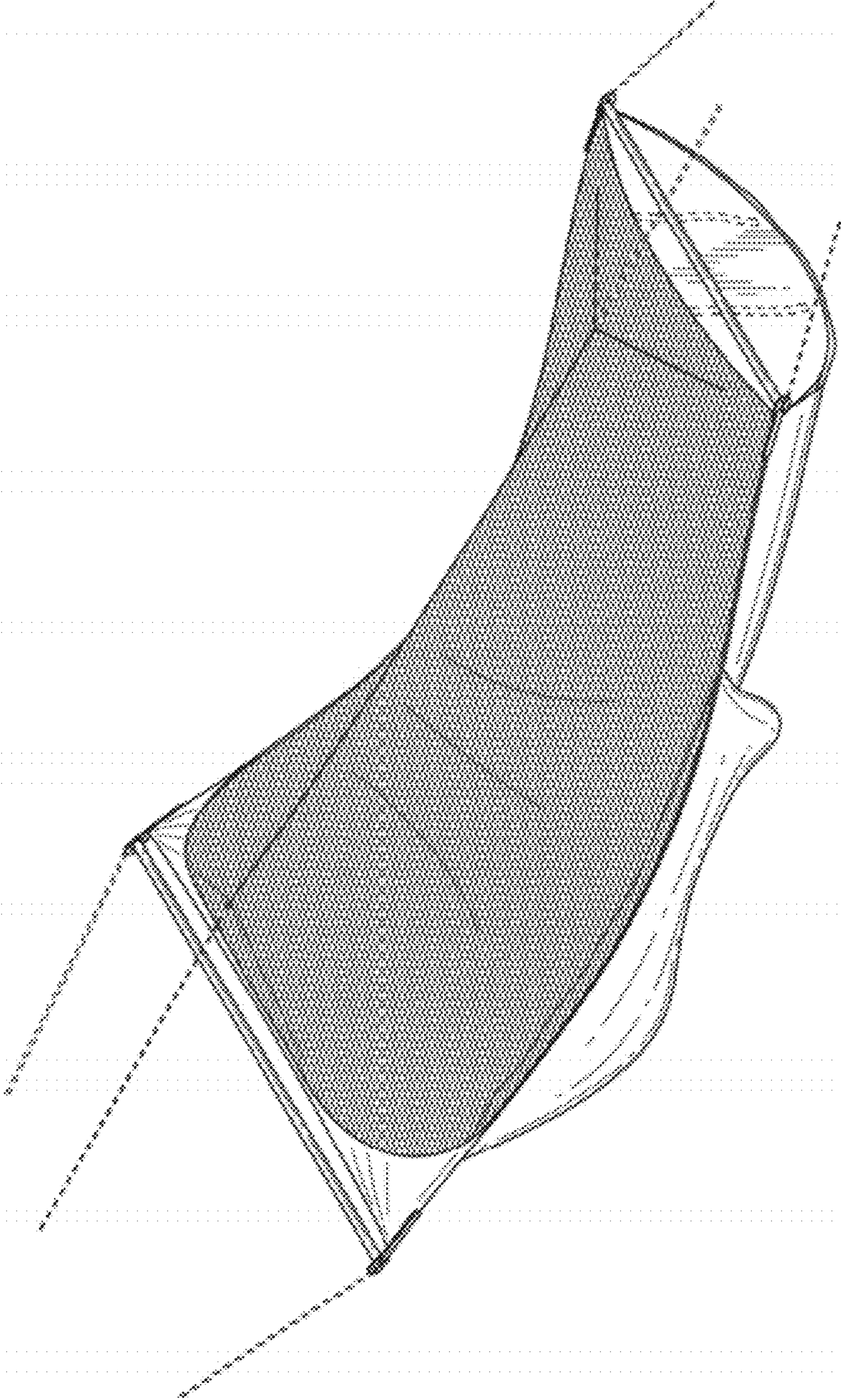


FIG. 2

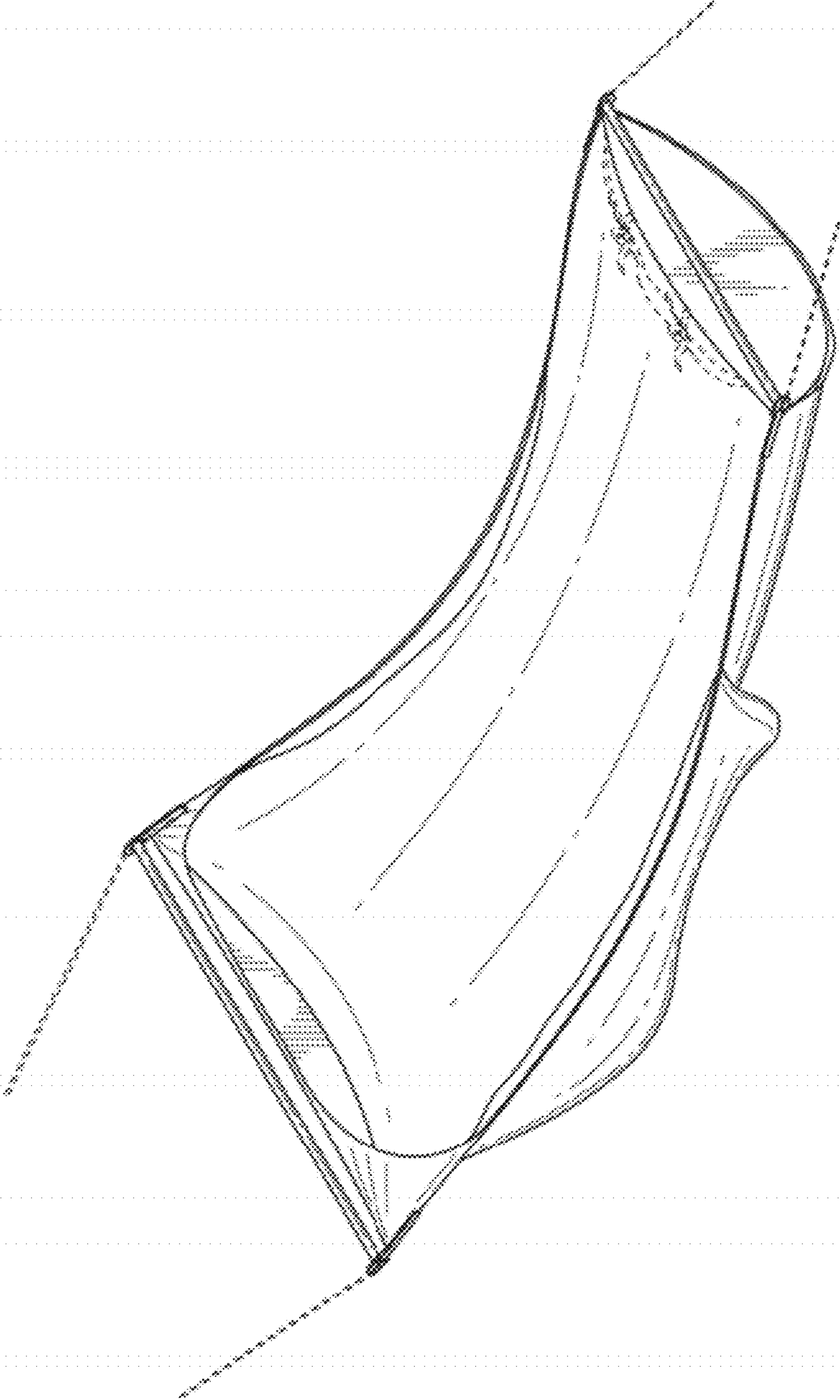


FIG. 3

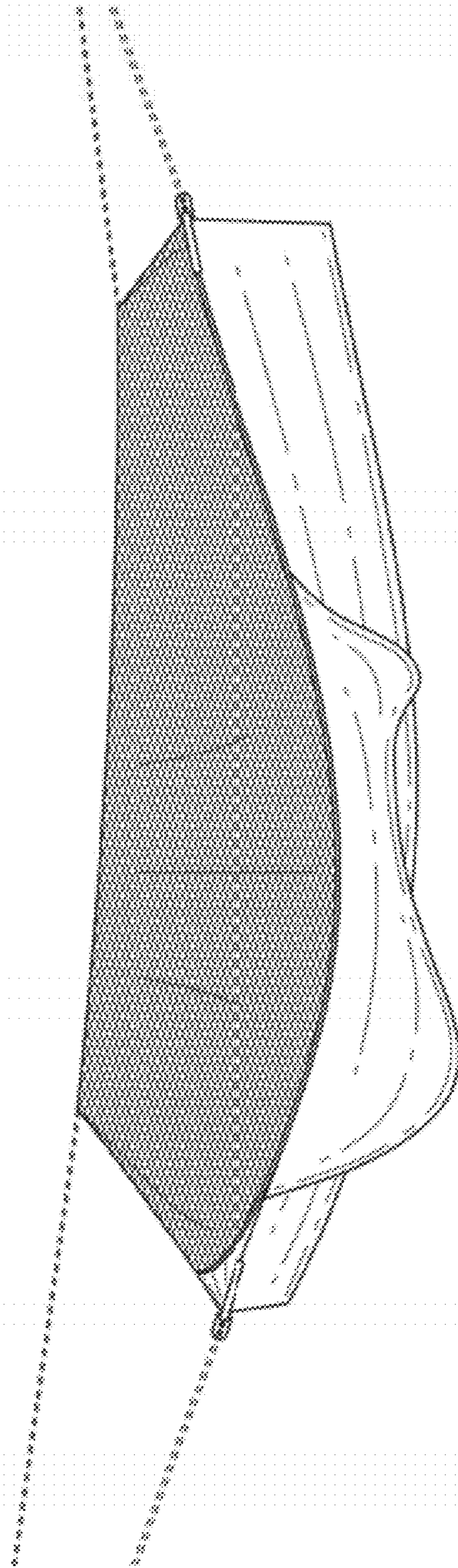


FIG. 4

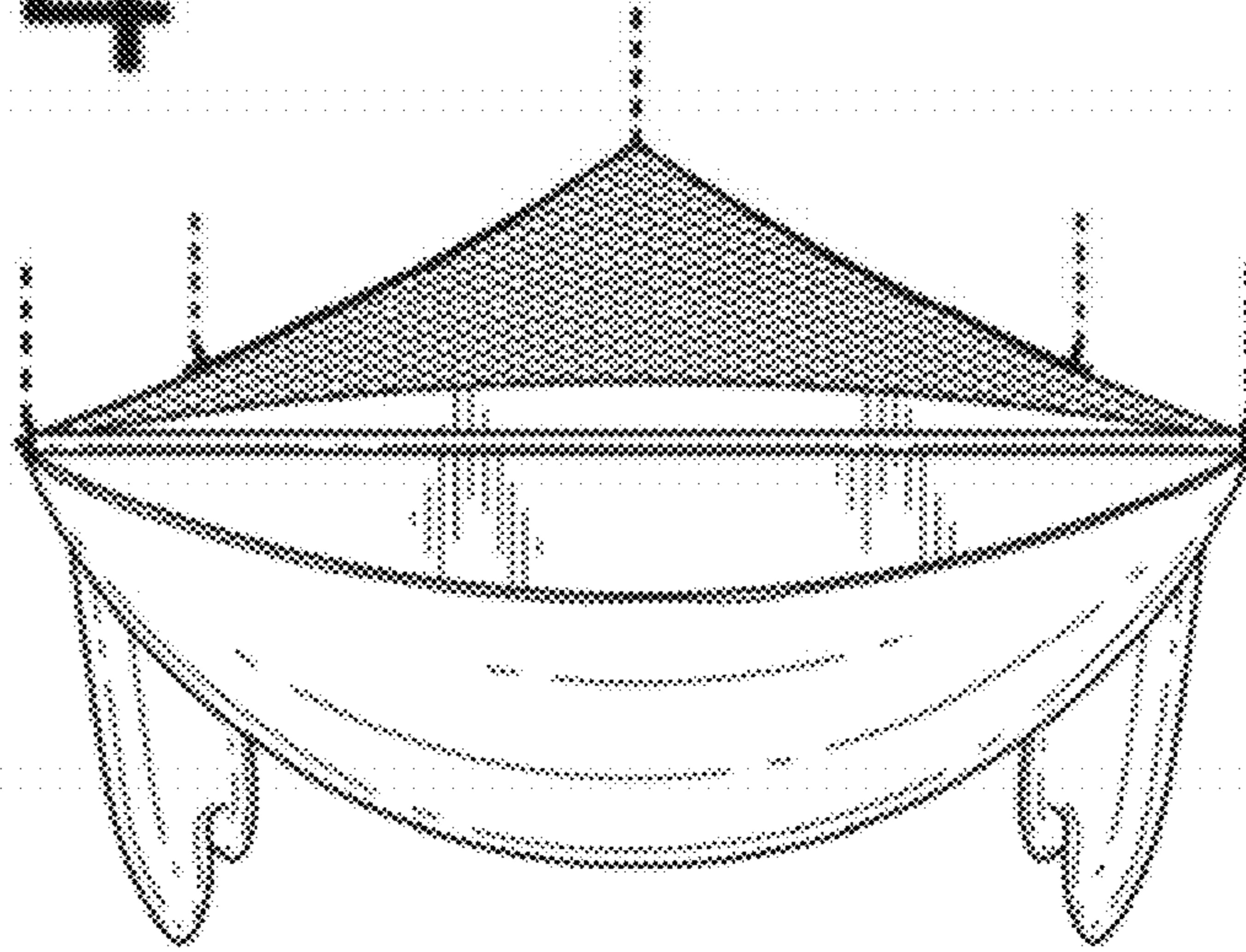


FIG. 5

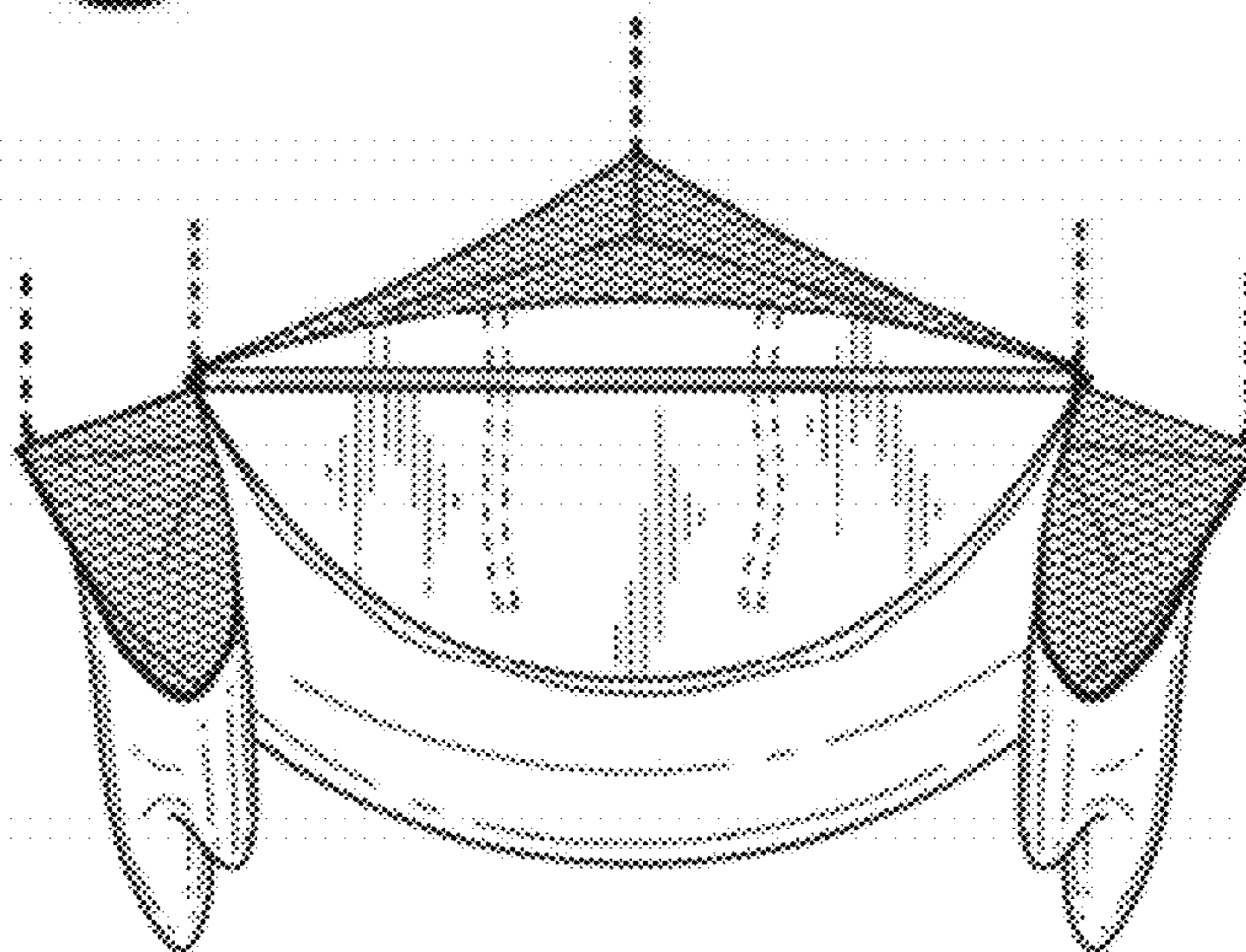


FIG. 6

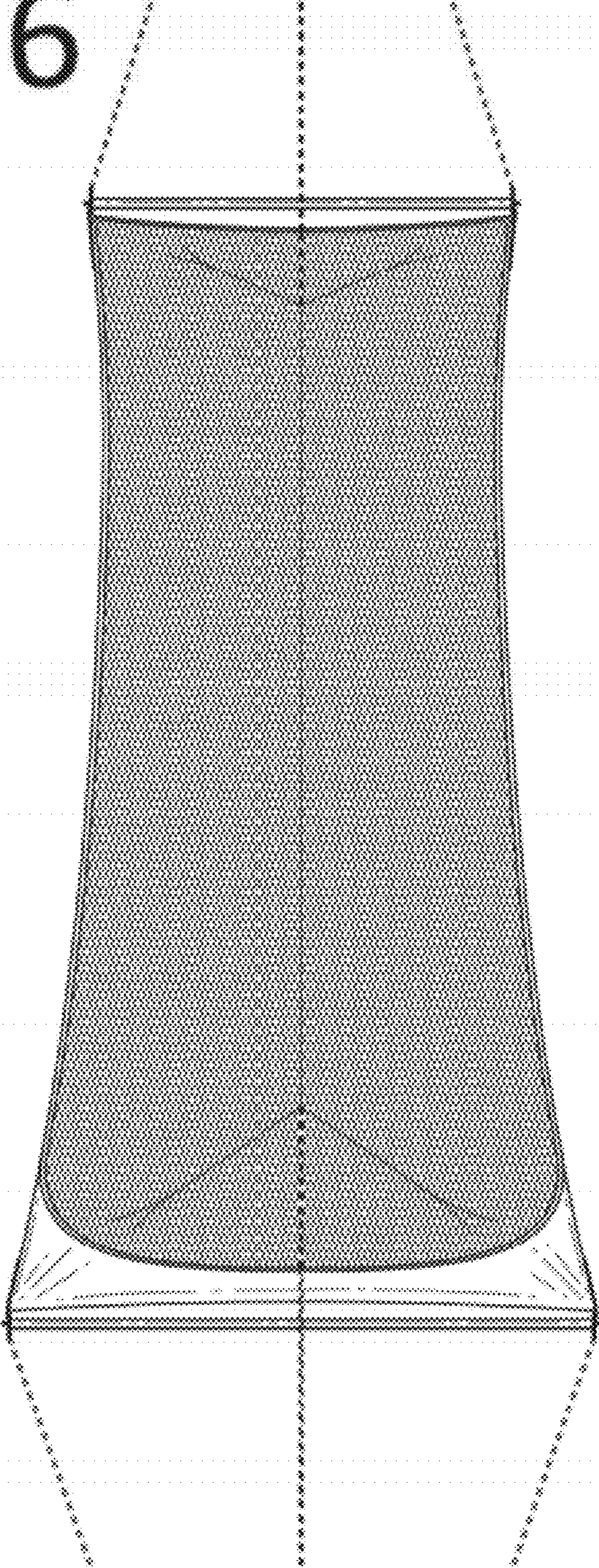


FIG. 7

