



US00D672984S

(12) **United States Design Patent**
Lade

(10) **Patent No.:** **US D672,984 S**

(45) **Date of Patent:** **** Dec. 25, 2012**

(54) **TABLE**

(75) **Inventor:** **Jan Lade**, Ikornnes (NO)

(73) **Assignee:** **Ekornes ASA**, Ikornnes (NO)

(**) **Term:** **14 Years**

(21) **Appl. No.:** **29/411,742**

(22) **Filed:** **Jan. 25, 2012**

(30) **Foreign Application Priority Data**

Aug. 26, 2011 (NO) 20110703

(51) **LOC (9) Cl.** **06-03**

(52) **U.S. Cl.** **D6/486**

(58) **Field of Classification Search** D6/480-489,
D6/495-499, 477, 479, 450-451; 108/150,
108/152, 153.1, 156, 161; 248/188, 188.1,
248/188.8

See application file for complete search history.

(56) **References Cited**

U.S. PATENT DOCUMENTS

| | | | |
|--------------|---------|--------------------|--------|
| D189,753 S * | 2/1961 | Clark | D6/475 |
| D353,287 S * | 12/1994 | Hemberger | D6/495 |
| D575,082 S * | 8/2008 | Hu | D6/486 |
| D590,187 S * | 4/2009 | Domack et al. | D6/486 |

* cited by examiner

Primary Examiner — Janice Seeger

(74) *Attorney, Agent, or Firm* — Schneck & Schneck;
Thomas Schneck

(57) **CLAIM**

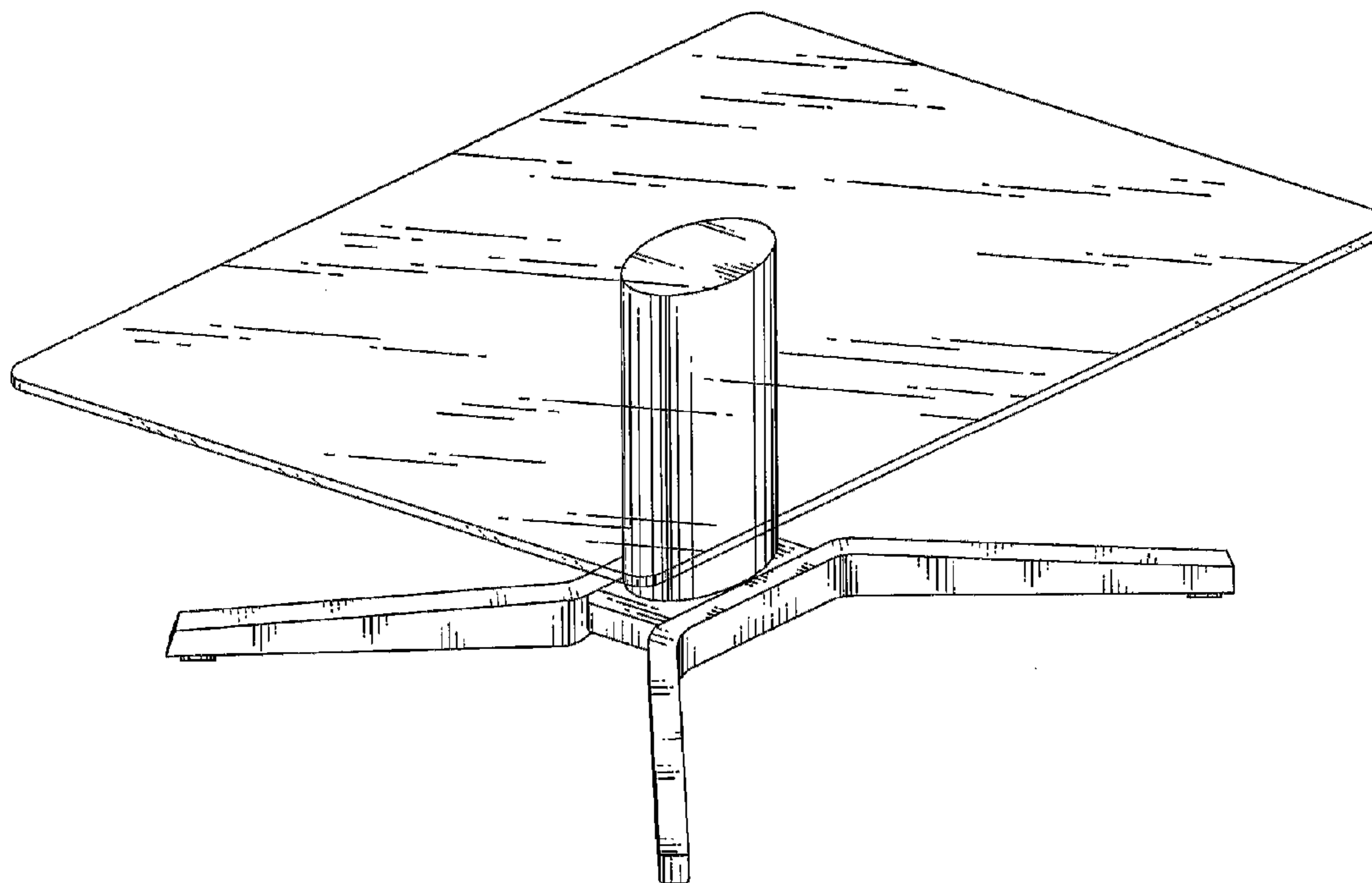
I claim the ornamental design for a table, as shown.

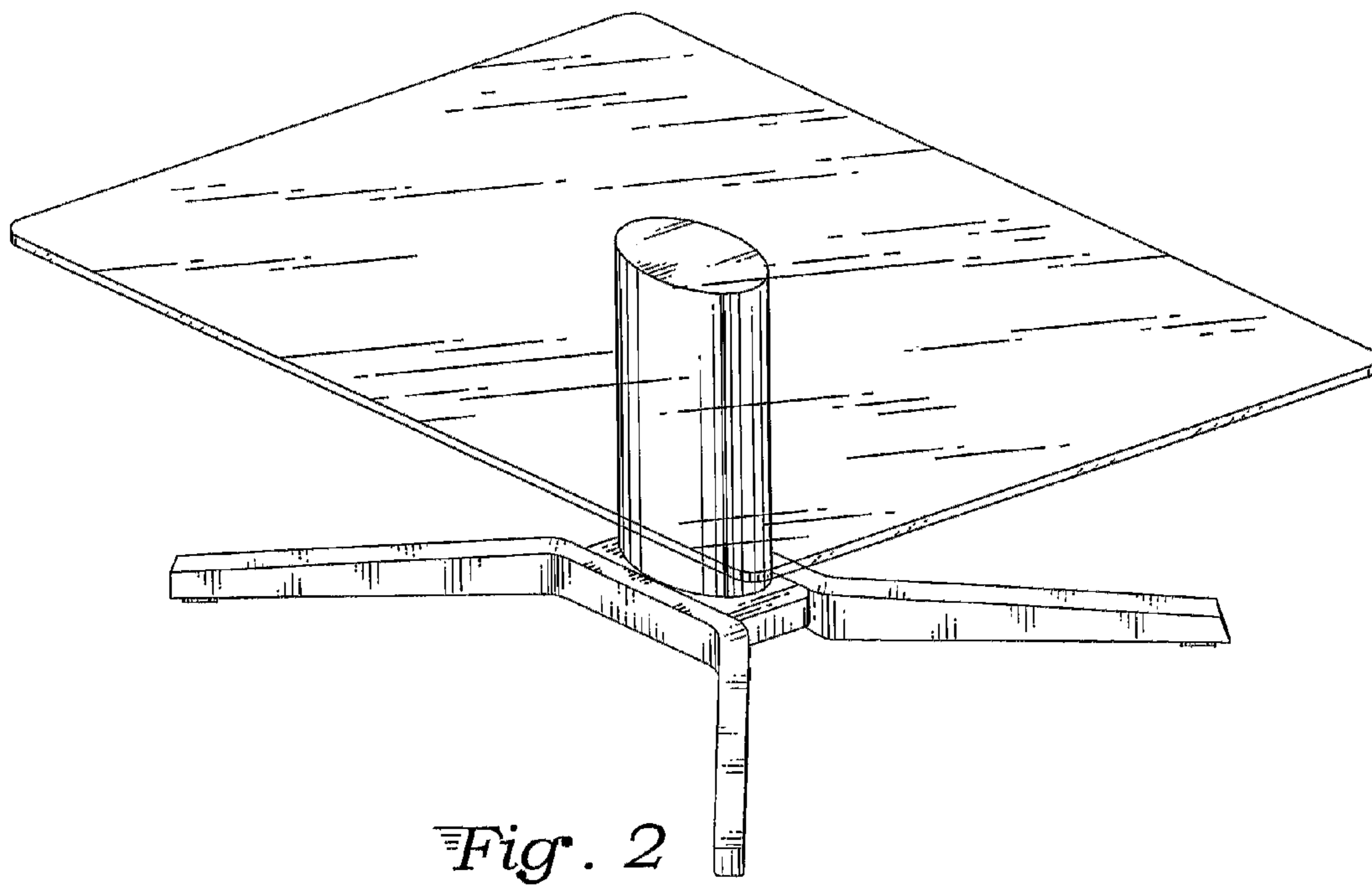
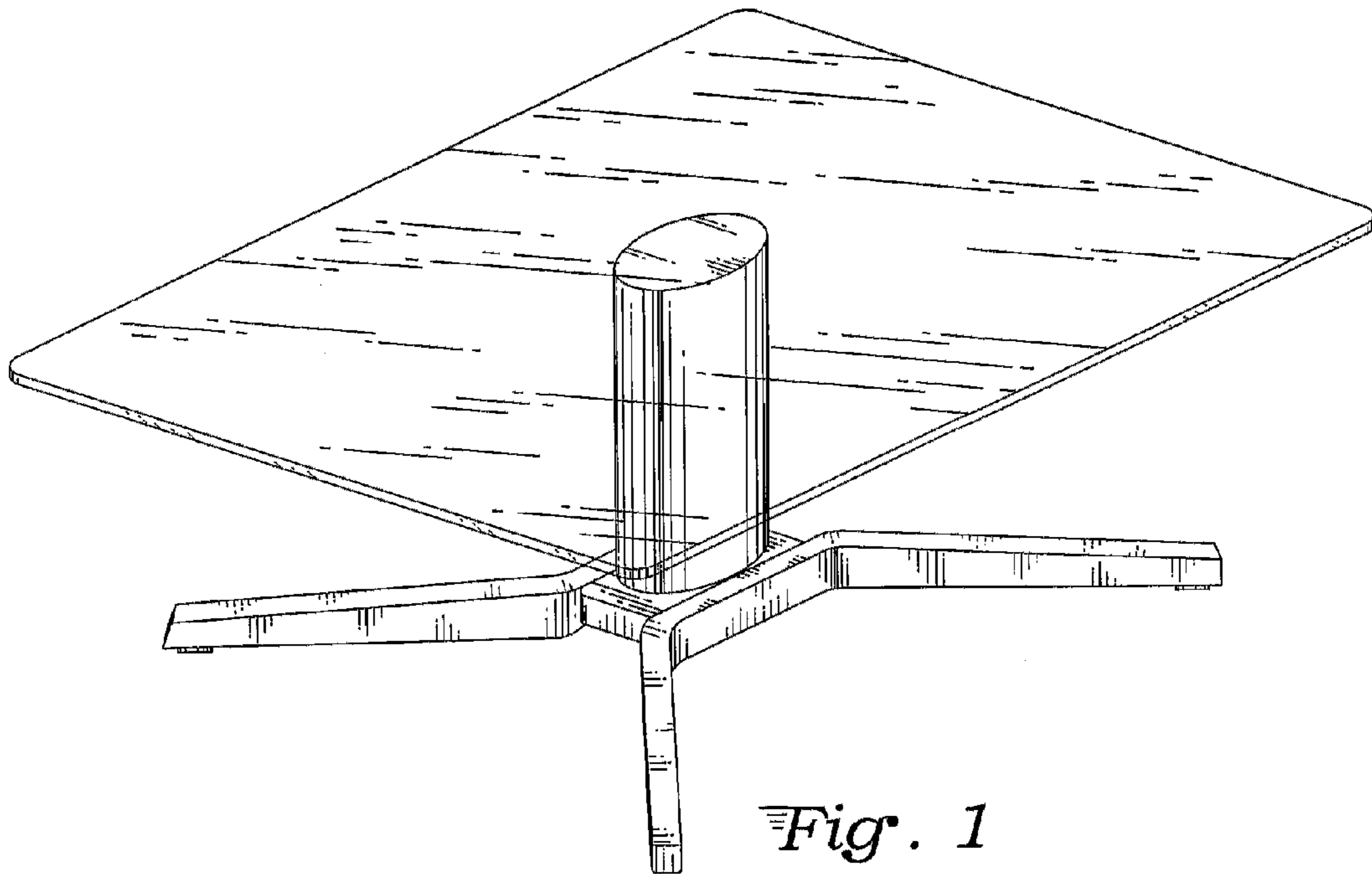
DESCRIPTION

FIG. 1 is a front left perspective view for a table of my design;
FIG. 2 is a front right perspective view thereof;
FIG. 3 is a top view thereof;
FIG. 4 is a bottom view thereof;
FIG. 5 is a front elevational view thereof, the back elevational
view being identical; and,
FIG. 6 is a right side view thereof, the left side view being
identical.

The broken lines are for environmental purposes only and
form no part of the claimed design.

1 Claim, 3 Drawing Sheets





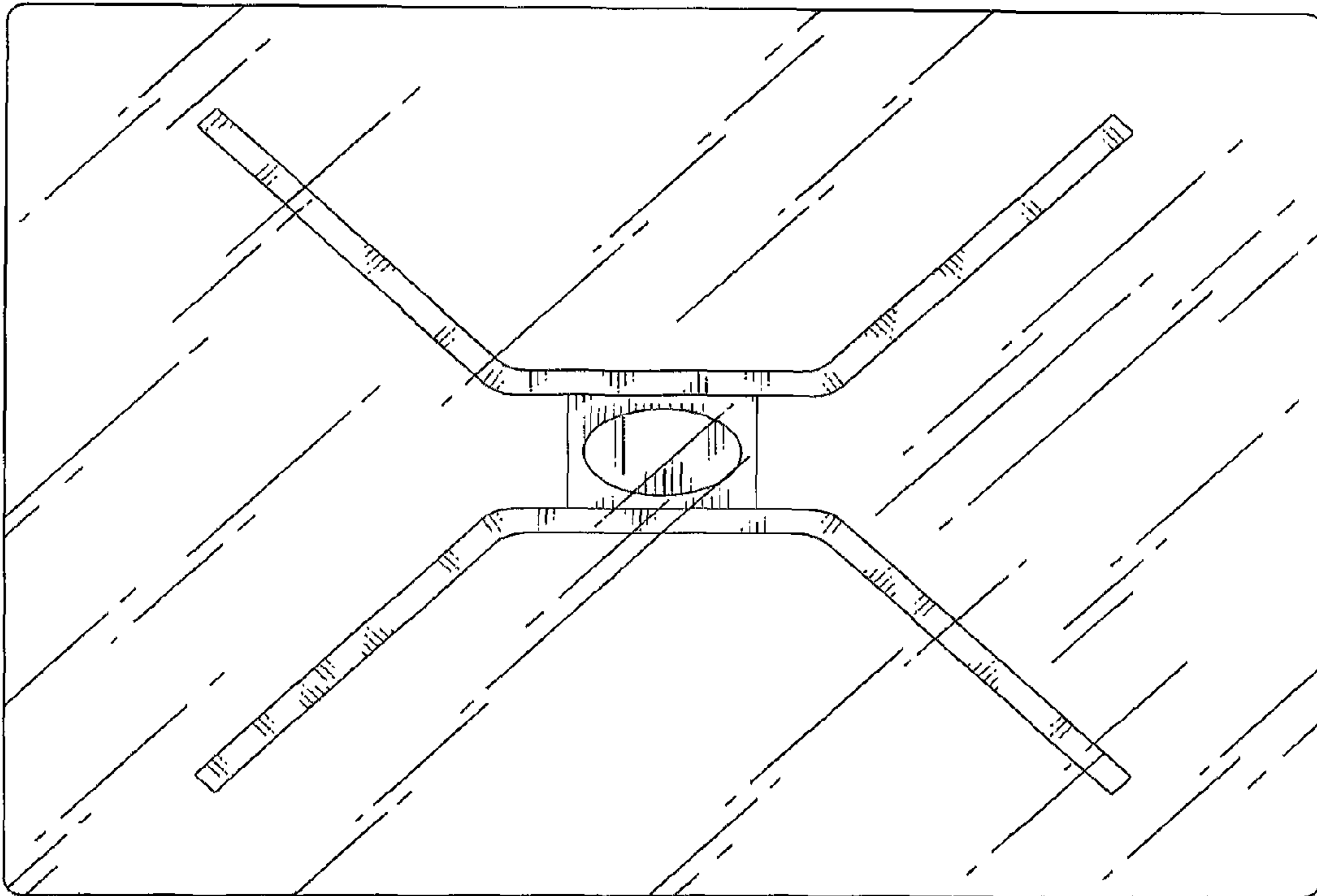


Fig. 3

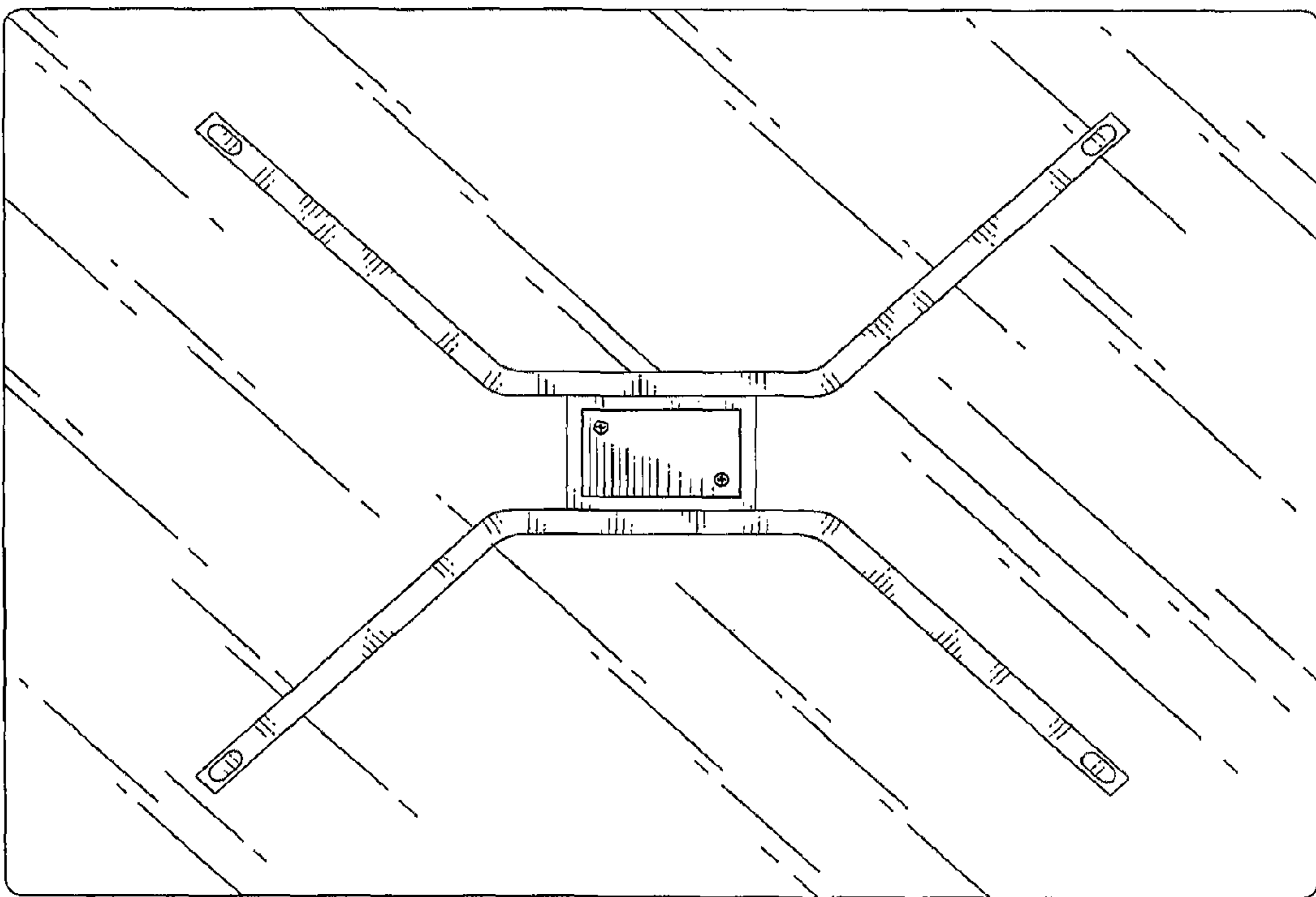


Fig. 4

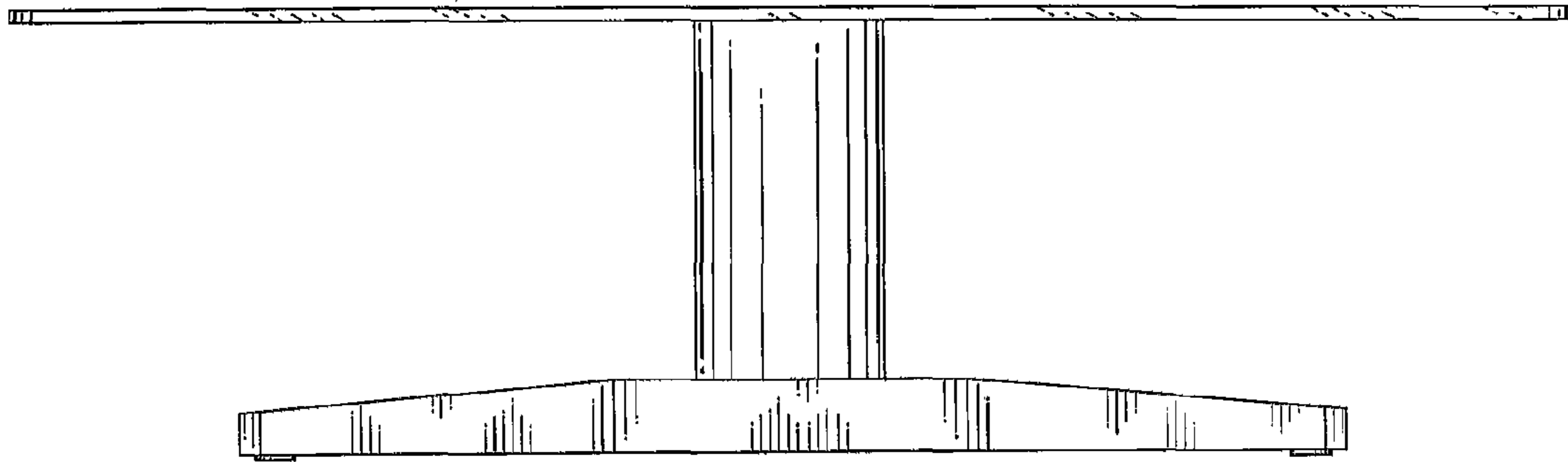


Fig. 5

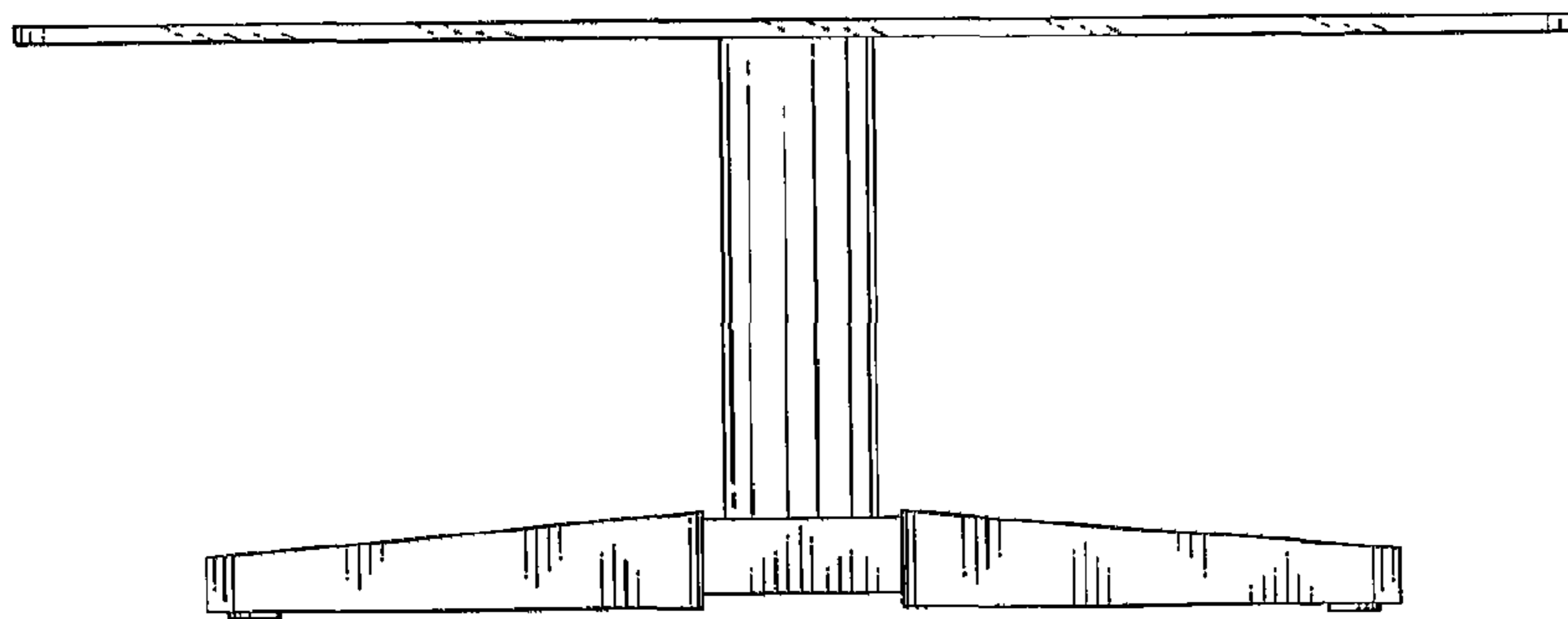


Fig. 6