



US00D672983S

(12) **United States Design Patent**  
**Peterson**

(10) **Patent No.:** **US D672,983 S**

(45) **Date of Patent:** **\*\* Dec. 25, 2012**

(54) **INFLATABLE AQUATIC TABLE**

(76) Inventor: **Leroy L. Peterson**, Omaha, NE (US)

(\*\*) Term: **14 Years**

(21) Appl. No.: **29/405,944**

(22) Filed: **Nov. 8, 2011**

(51) **LOC (9) Cl.** ..... **06-03**

(52) **U.S. Cl.** ..... **D6/480**

(58) **Field of Classification Search** ..... D6/480-489,  
D6/495-499, 450, 451, 429-431, 604, 601,  
D6/406.5; 108/150, 153.1, 155, 156, 157.1,  
108/161; 248/188, 188.1, 188.8; D21/801,  
D21/803, 809; 472/128, 129; 441/136

See application file for complete search history.

(56) **References Cited**

**U.S. PATENT DOCUMENTS**

5,005,702	A *	4/1991	Davis et al.	206/562
D361,459	S *	8/1995	Hansen	D6/487
D435,621	S *	12/2000	Peterson	D21/803
D510,400	S *	10/2005	Rockstad et al.	D21/808
D592,268	S *	5/2009	Montagnino	D21/803

\* cited by examiner

*Primary Examiner* — Janice Seeger

(74) *Attorney, Agent, or Firm* — Suiter Swantz pc llo

(57) **CLAIM**

The ornamental design for an inflatable aquatic table, as shown and described.

**DESCRIPTION**

FIG. 1 is a perspective view of the inflatable aquatic table showing my new design;

FIG. 2 is a right side elevational view thereof;

FIG. 3 is a left side elevational view thereof;

FIG. 4 is a front elevational view thereof;

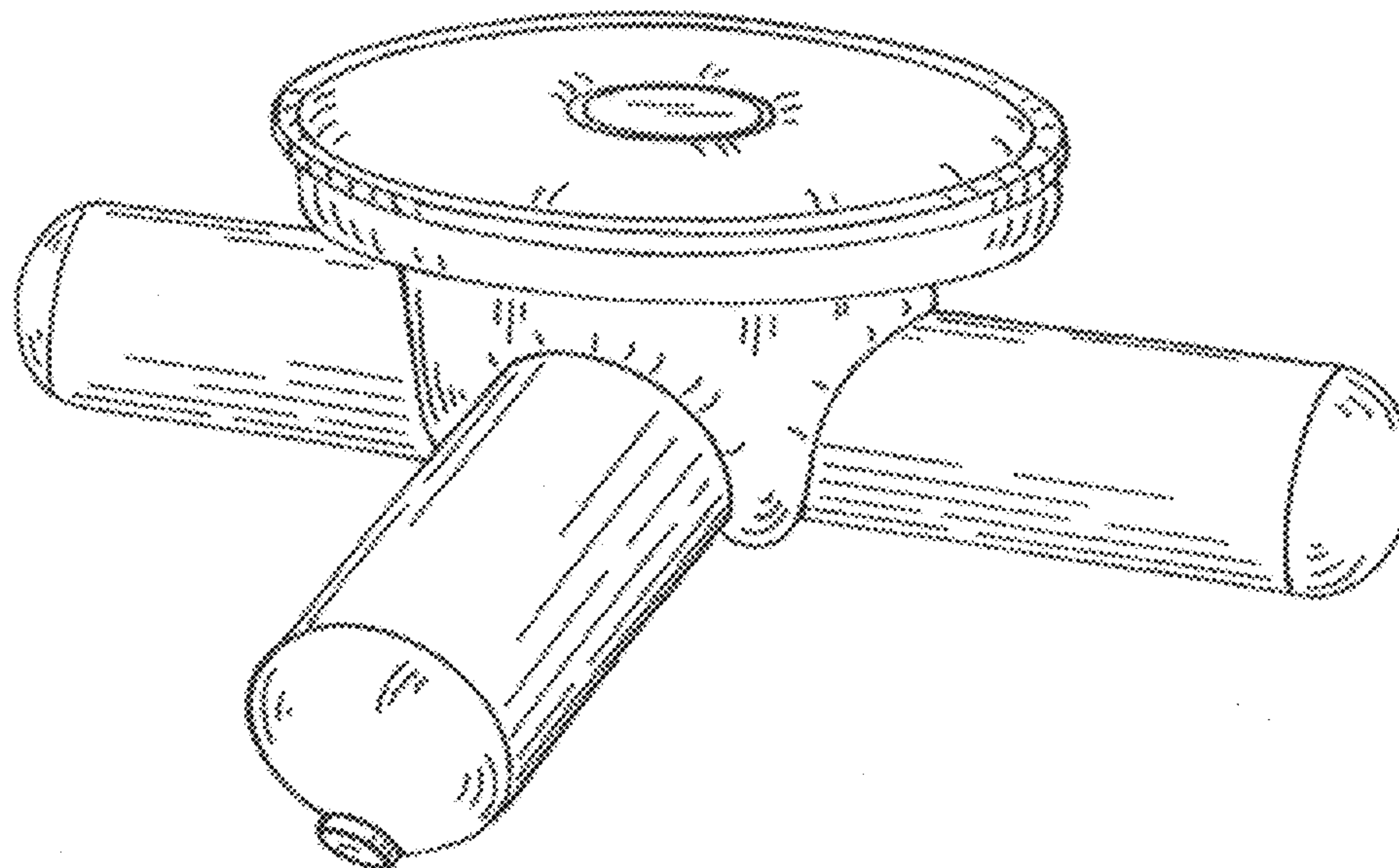
FIG. 5 is a rear elevational view thereof;

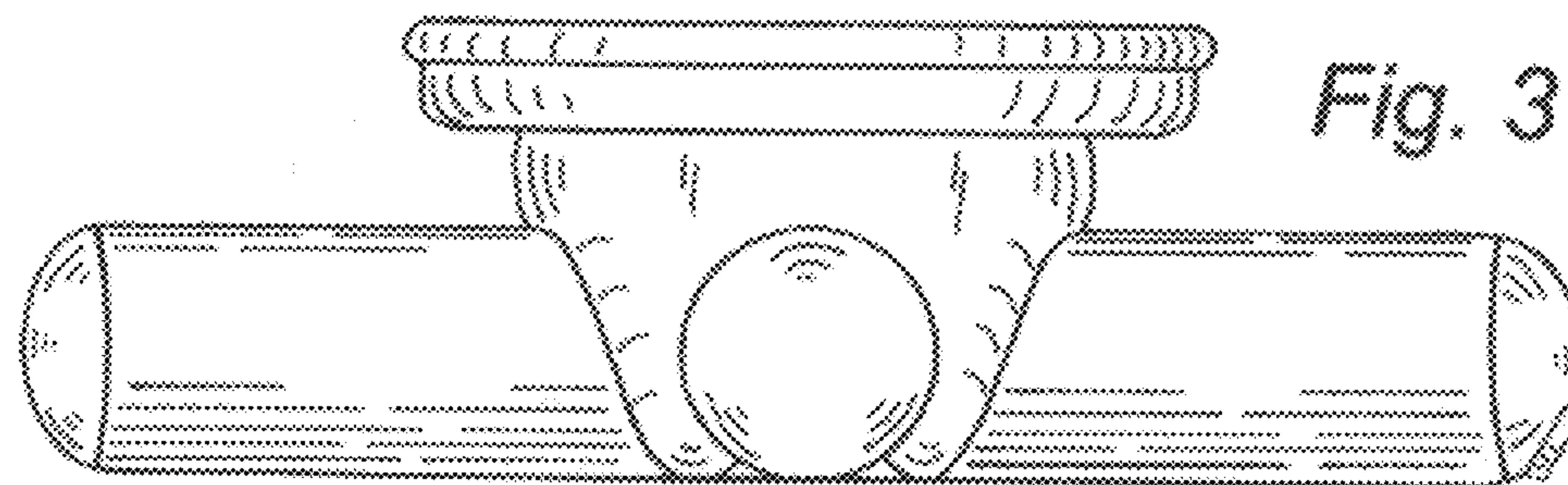
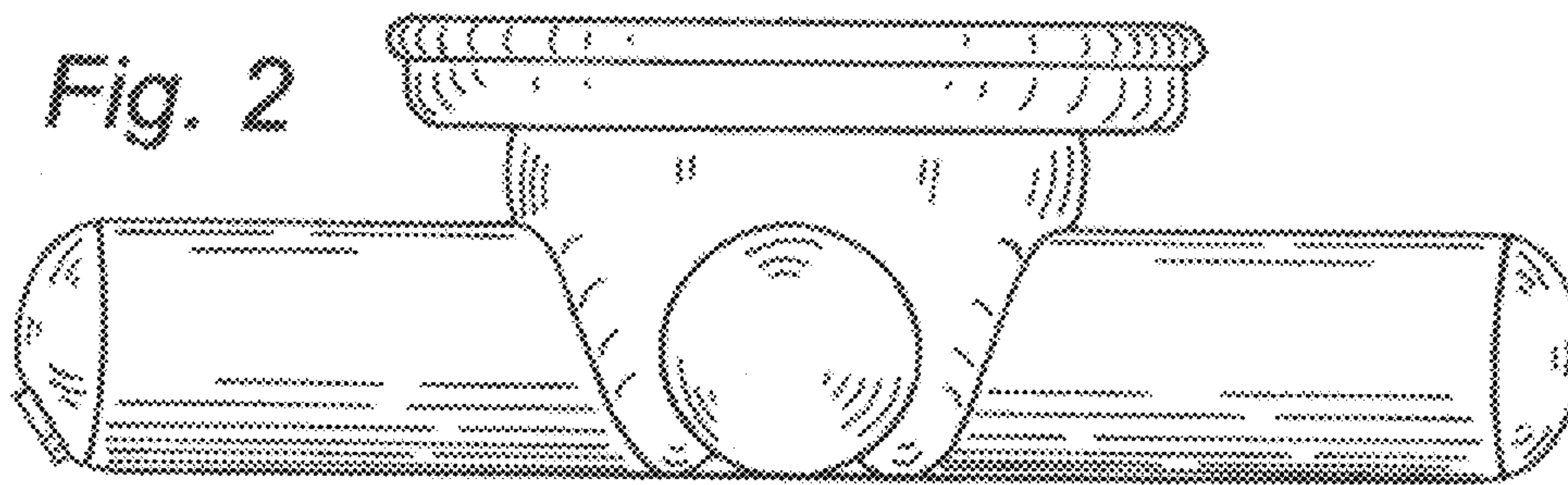
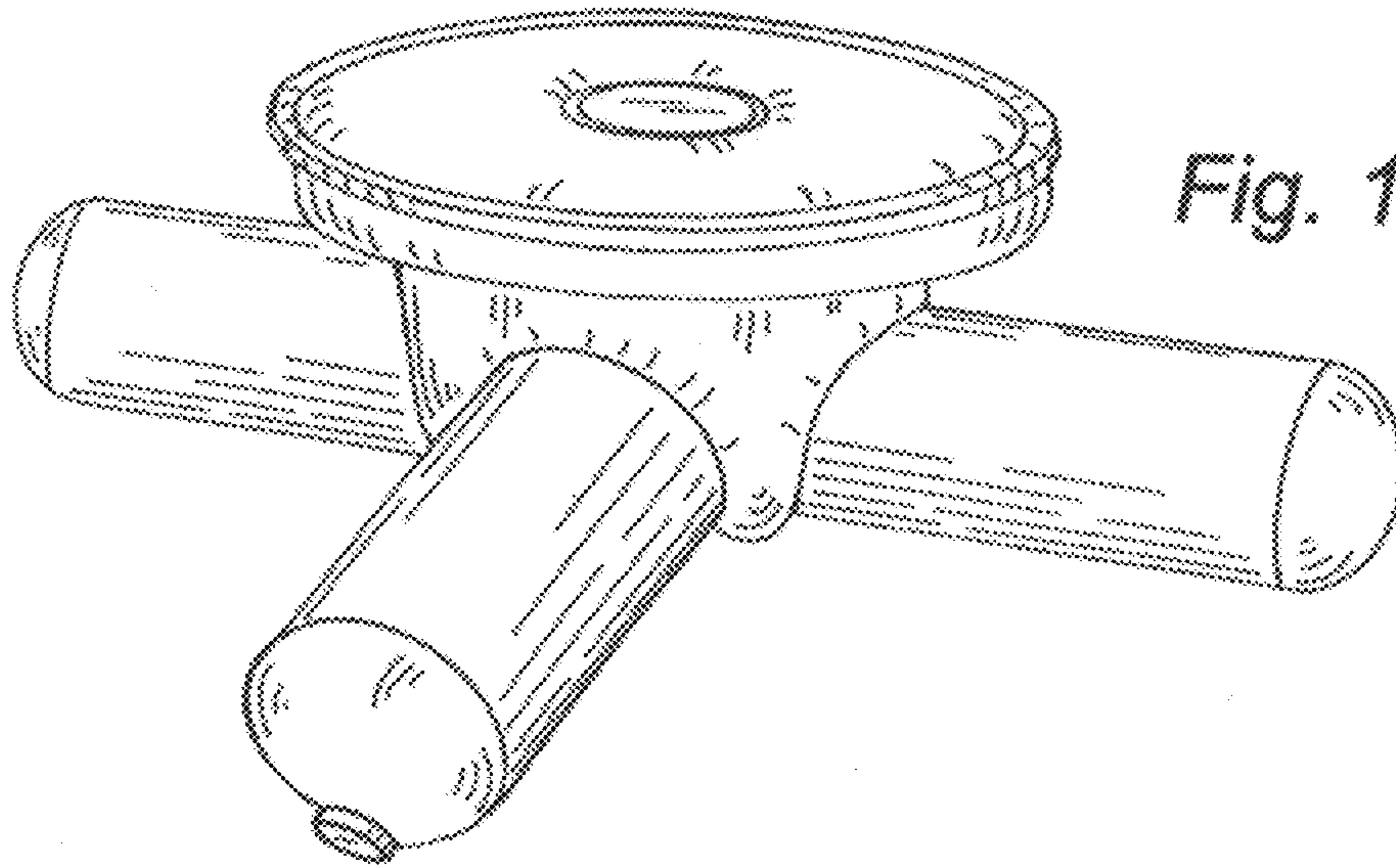
FIG. 6 is a top plan view thereof; and,

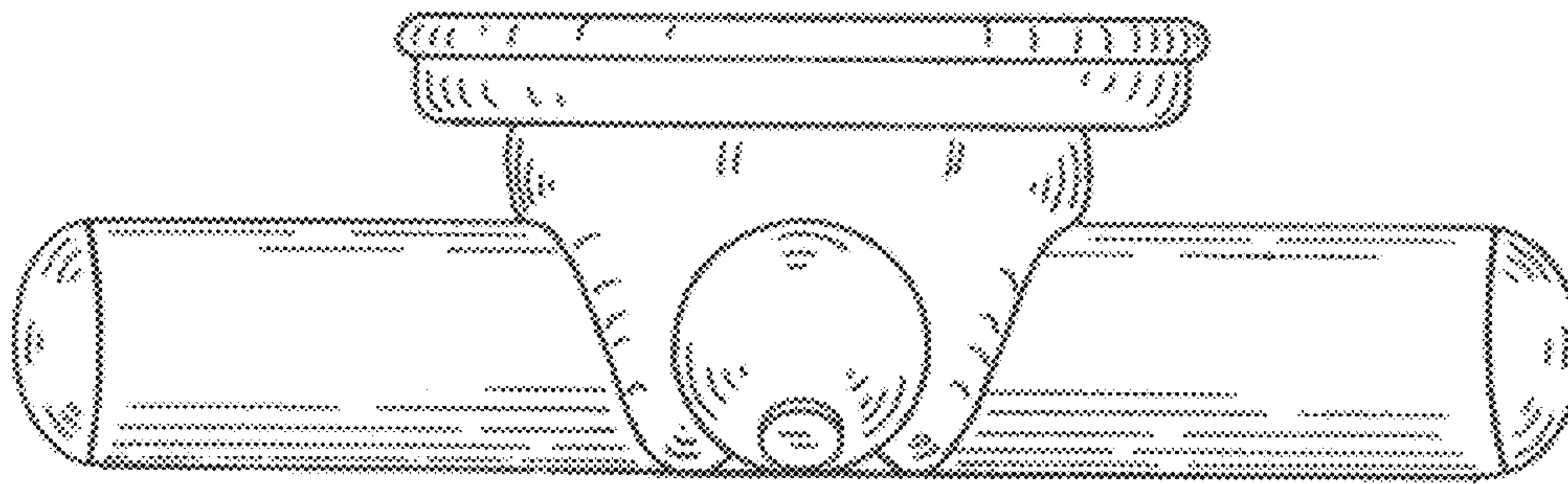
FIG. 7 is a bottom plan view thereof.

The broken lines are for environmental purposes only and form no part of the claimed design.

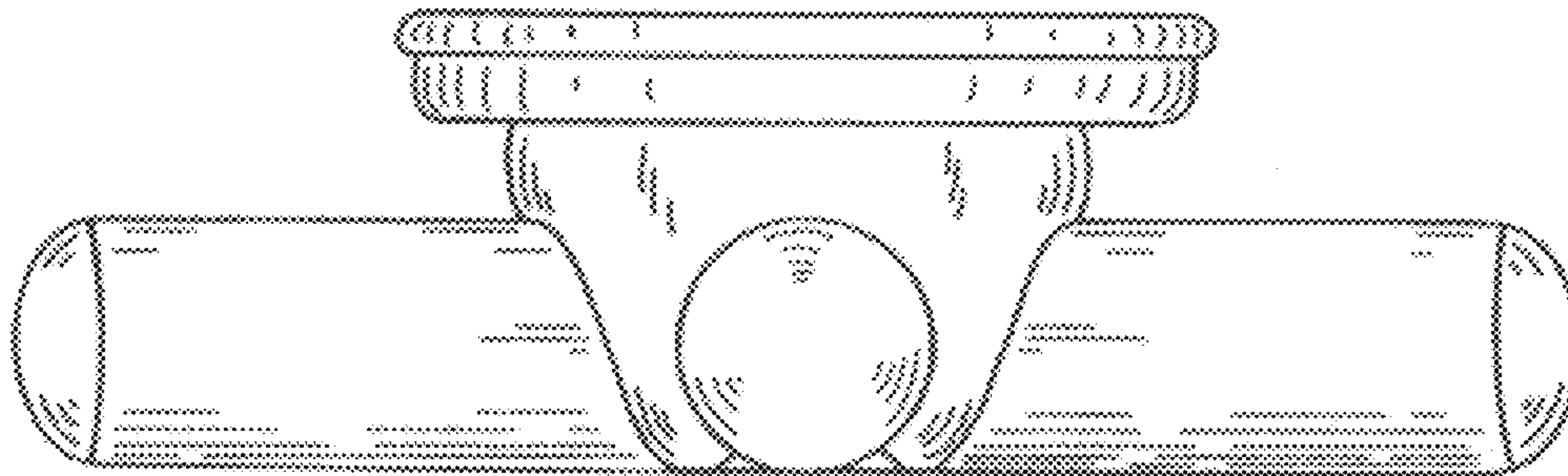
**1 Claim, 4 Drawing Sheets**





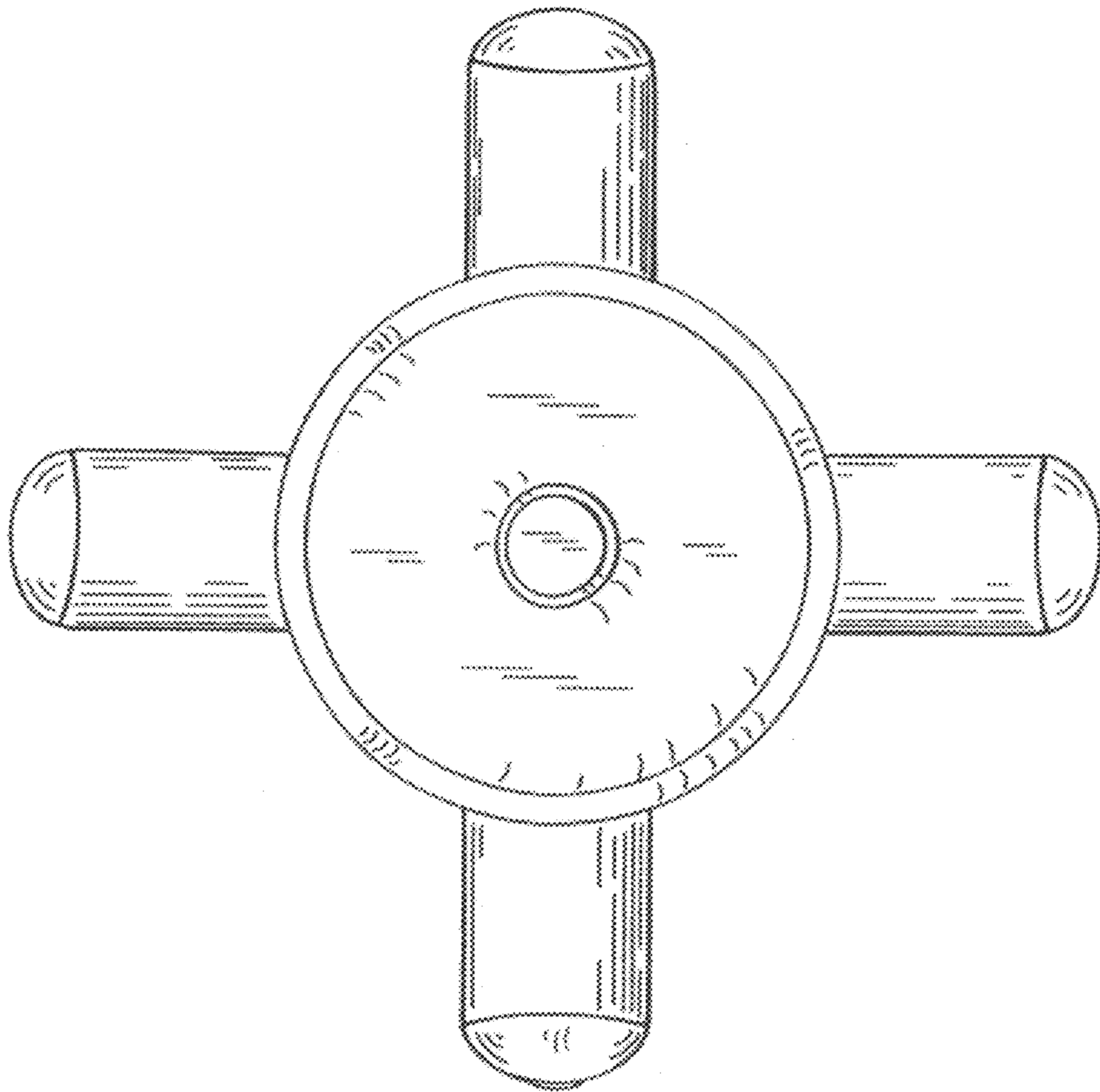


*Fig. 4*

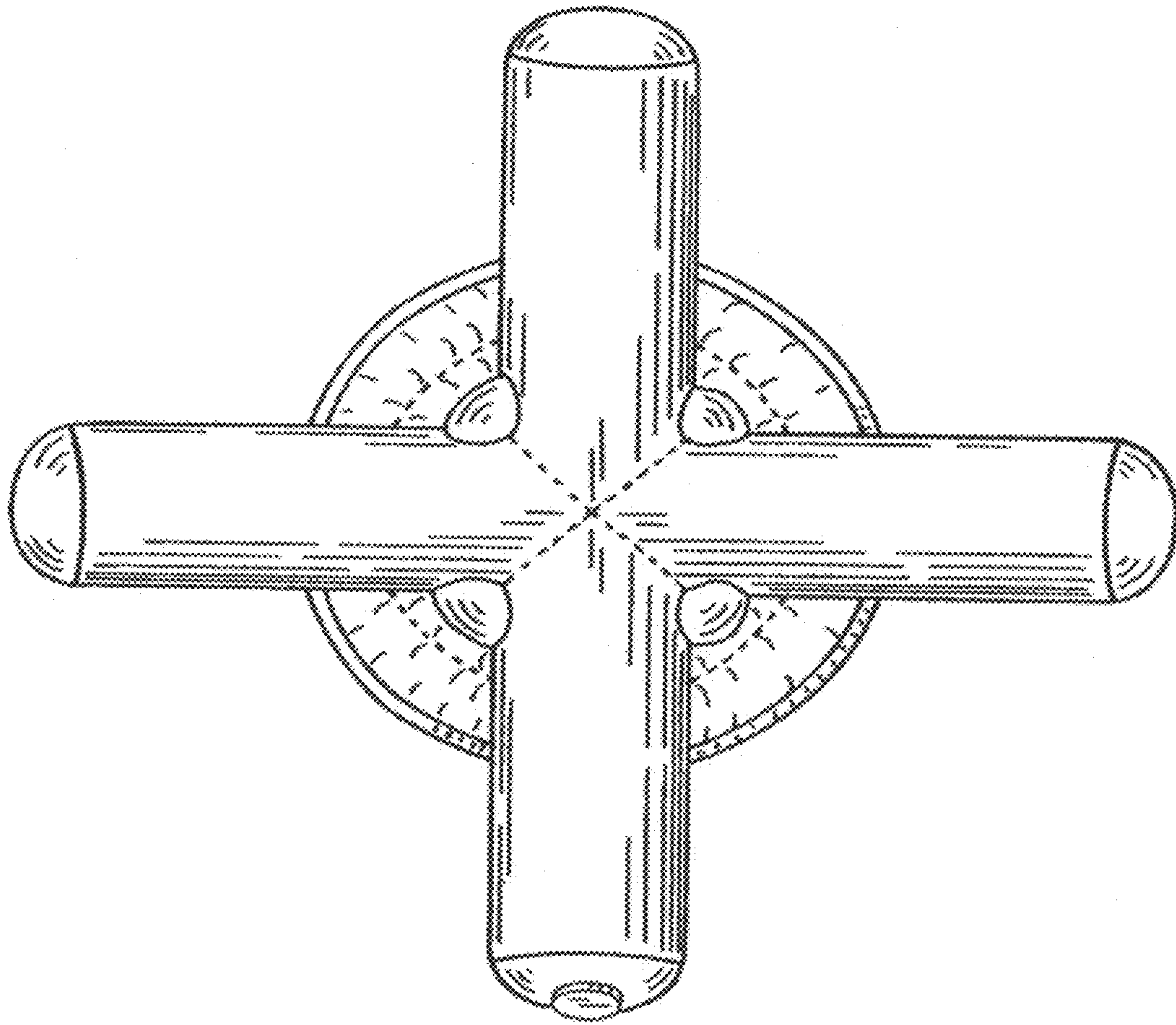


*Fig. 5*





*Fig. 6*



*Fig. 7*