



US00D672979S

(12) **United States Design Patent**
Szymański

(10) **Patent No.:** **US D672,979 S**

(45) **Date of Patent:** **** Dec. 25, 2012**

(54) **SEAT FOR VEHICLES**

(76) Inventor: **Maciej Szymański**, Rokietnica (PL)

(**) Term: **14 Years**

(21) Appl. No.: **29/408,380**

(22) Filed: **Dec. 12, 2011**

(30) **Foreign Application Priority Data**

Jun. 14, 2011 (EM) 001281182

(51) **LOC (9) Cl.** **06-01**

(52) **U.S. Cl.** **D6/356**

(58) **Field of Classification Search** D6/334-336,
D6/356, 364, 365, 374, 375, 376, 381, 500-502;
297/183.1, 183.7, 232, 233, 452.11, 452.12,
297/452.14, 452.21, 452.29

See application file for complete search history.

(56) **References Cited**

U.S. PATENT DOCUMENTS

D178,880 S * 10/1956 Hauser D6/375
3,729,226 A * 4/1973 Barecki 297/232
D467,088 S * 12/2002 Haney et al. D6/356

D467,743 S * 12/2002 Haney et al. D6/356
D480,569 S * 10/2003 Haney et al. D6/356
D521,756 S * 5/2006 Moffa et al. D6/368
D553,373 S * 10/2007 Herold et al. D6/356
D557,911 S * 12/2007 Herold et al. D6/356
D586,134 S * 2/2009 Wolf et al. D6/356

* cited by examiner

Primary Examiner — Mimoso De

(74) *Attorney, Agent, or Firm* — Egbert Law Offices, PLLC

(57) **CLAIM**

The ornamental design for a seat for vehicles, as shown and described.

DESCRIPTION

FIG. 1 is a front view of the seat for vehicles showing my design.

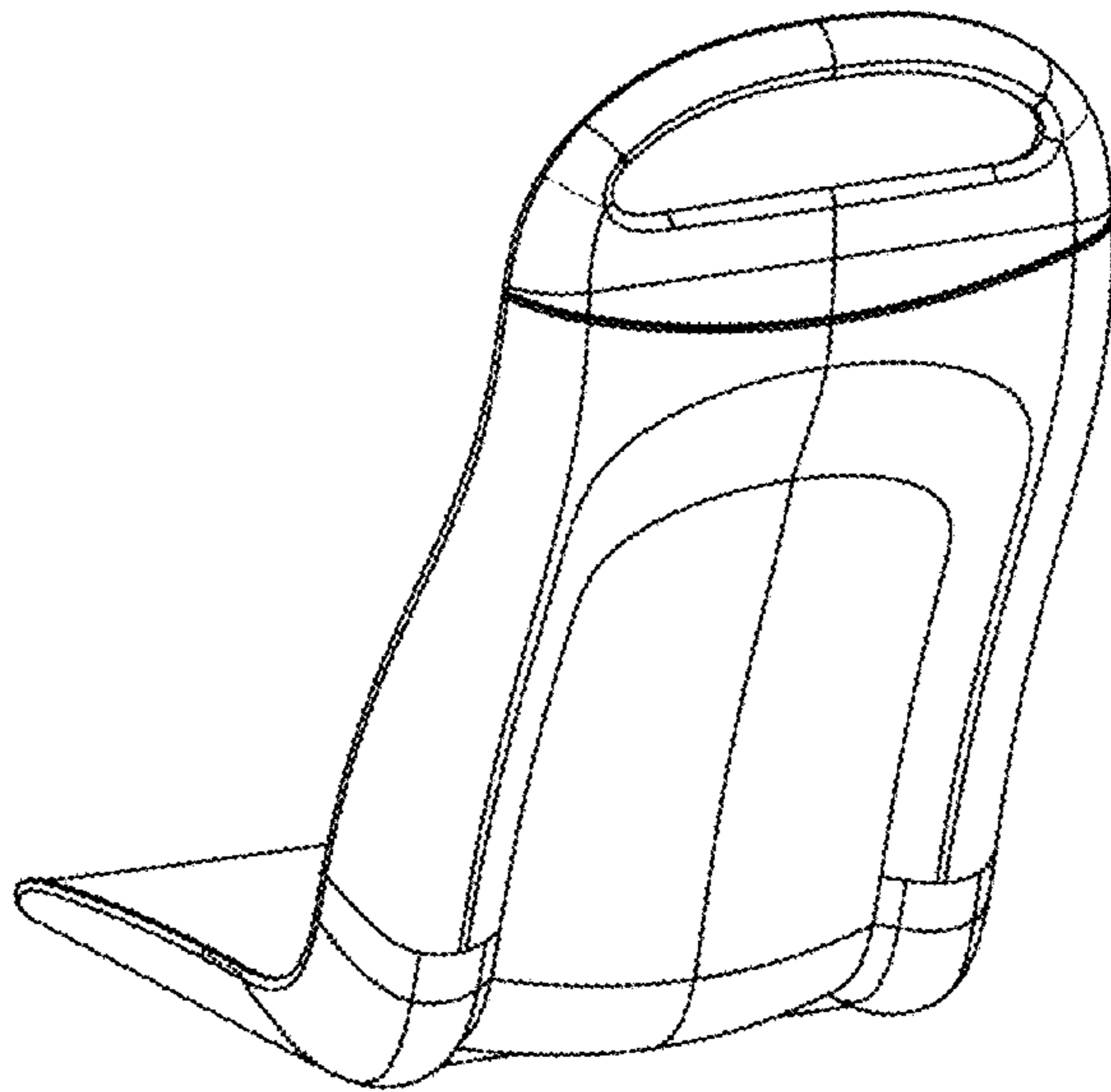
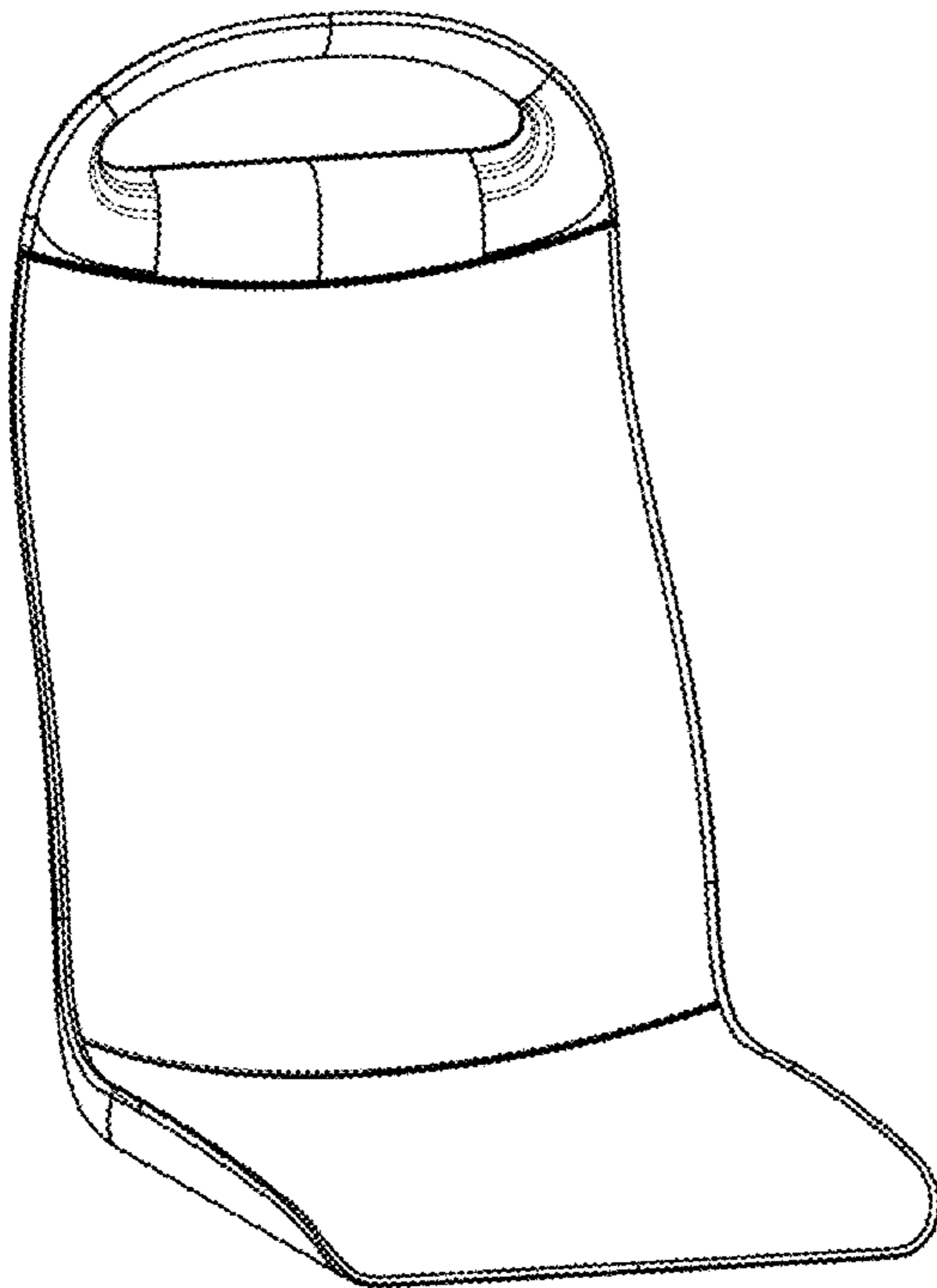
FIG. 2 is a front perspective view thereof;

FIG. 3 is a rear perspective view thereof;

FIG. 4 is a side view thereof, an opposite side view being identical; and,

FIG. 5 is a top view thereof.

1 Claim, 5 Drawing Sheets



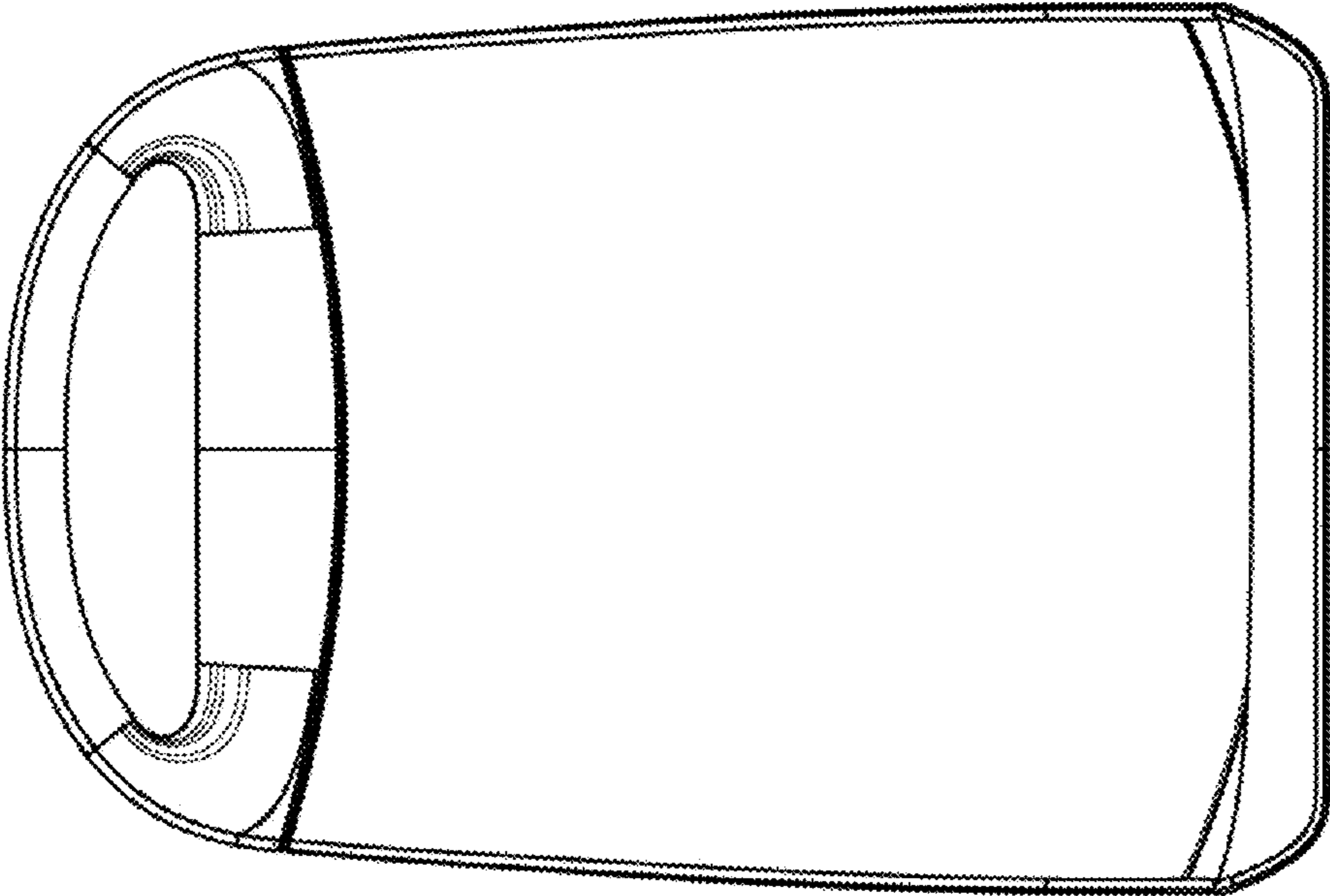


FIGURE 1

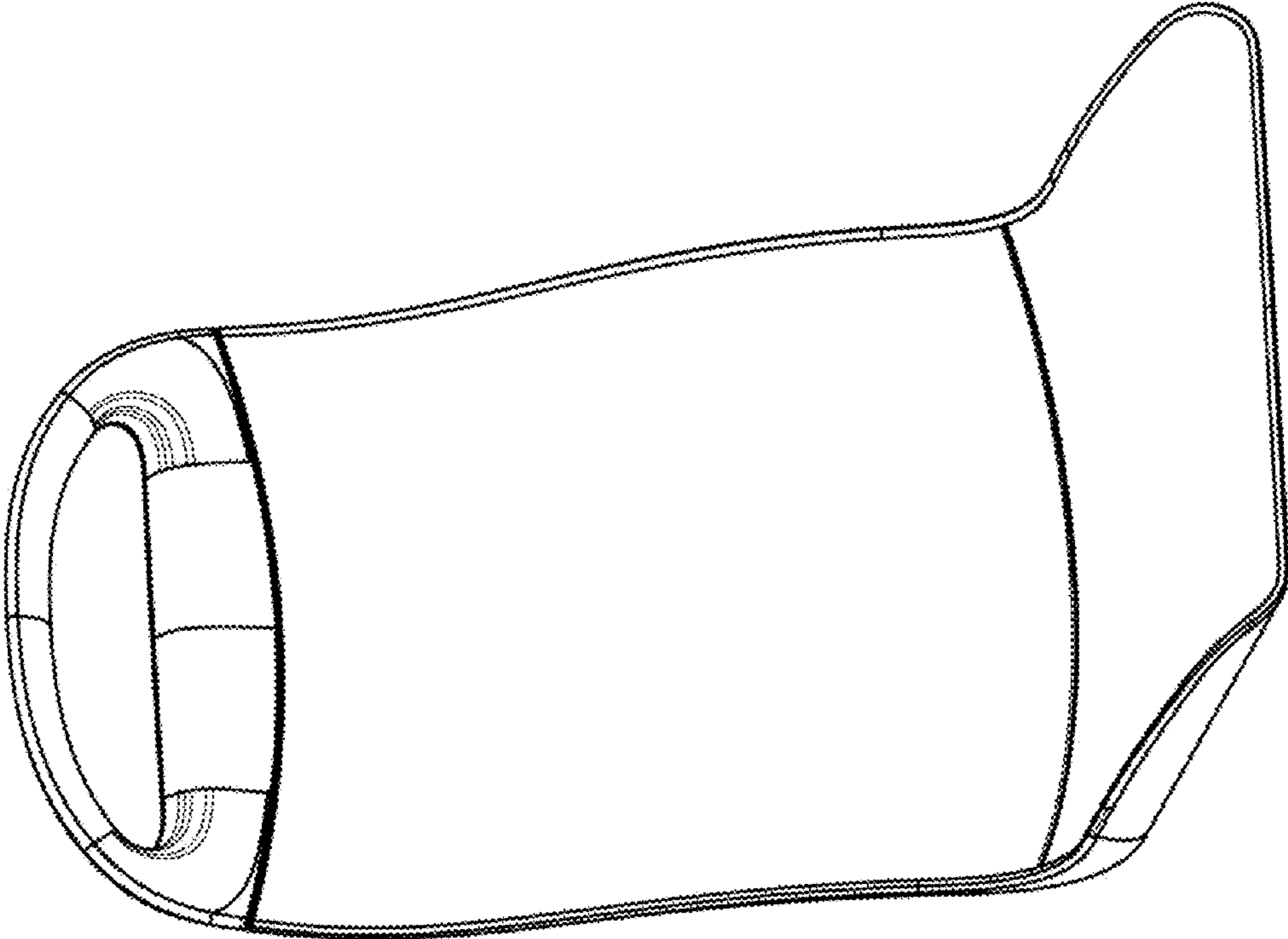


FIGURE 2

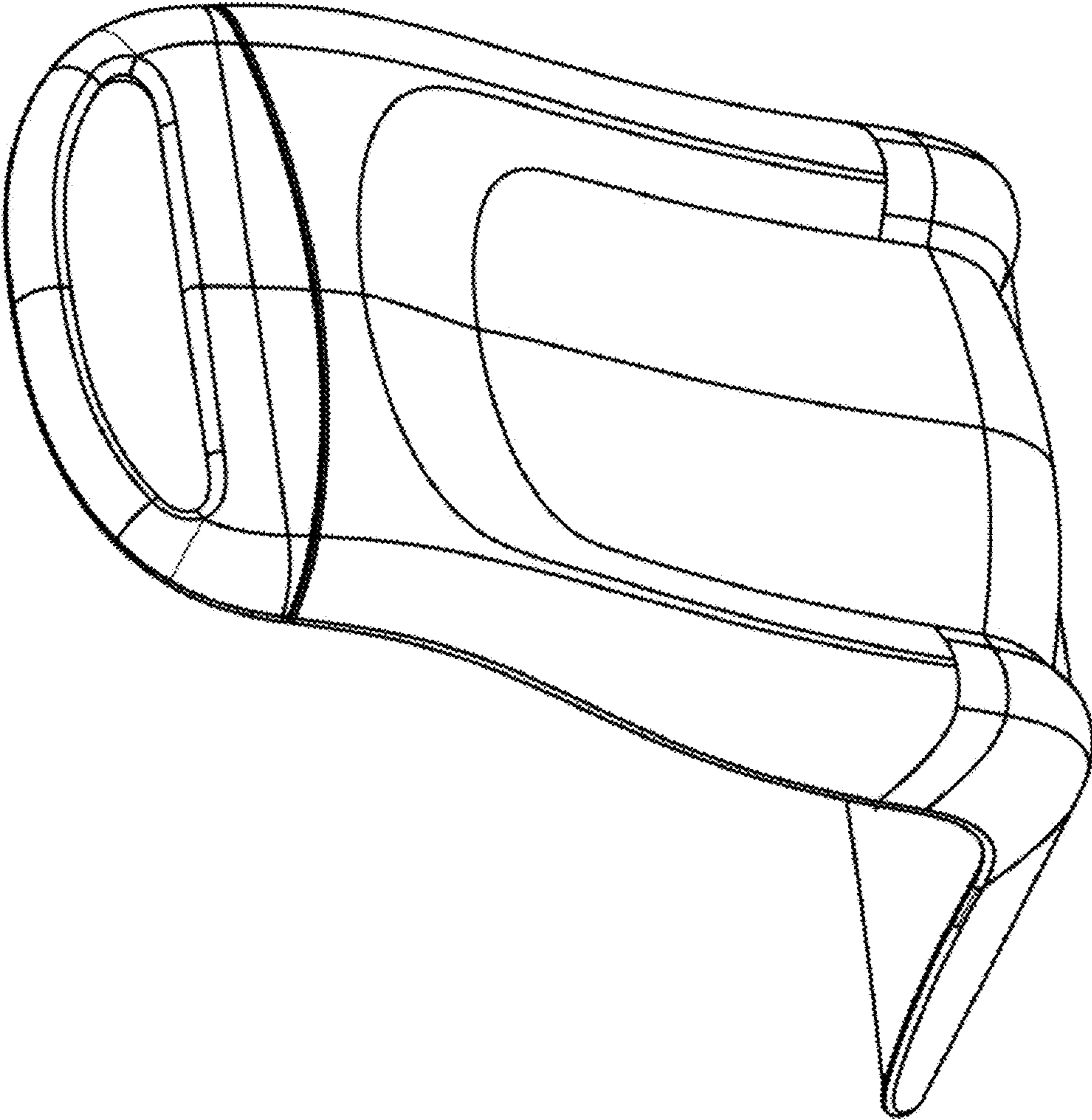


FIGURE 3

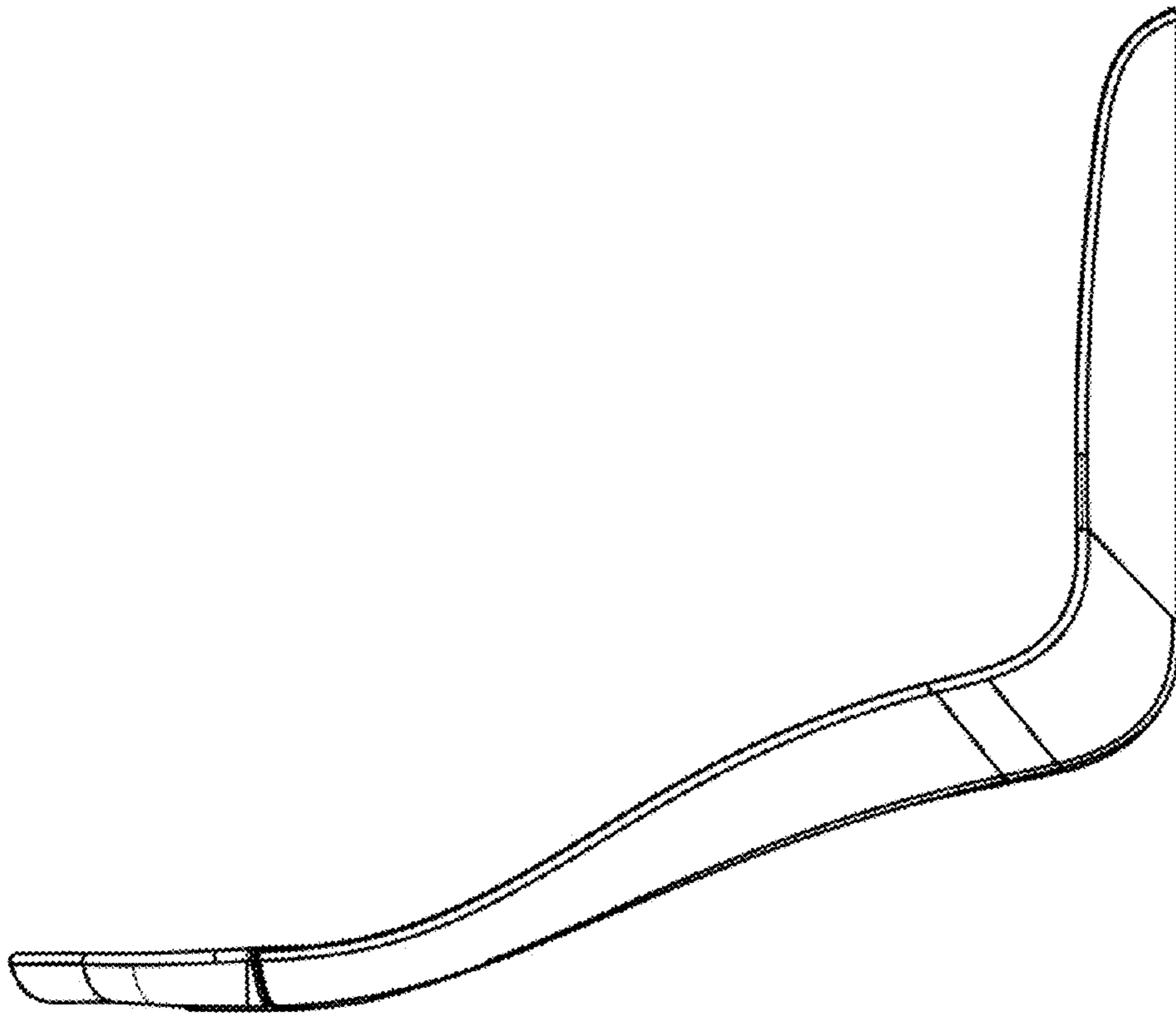


FIGURE 4

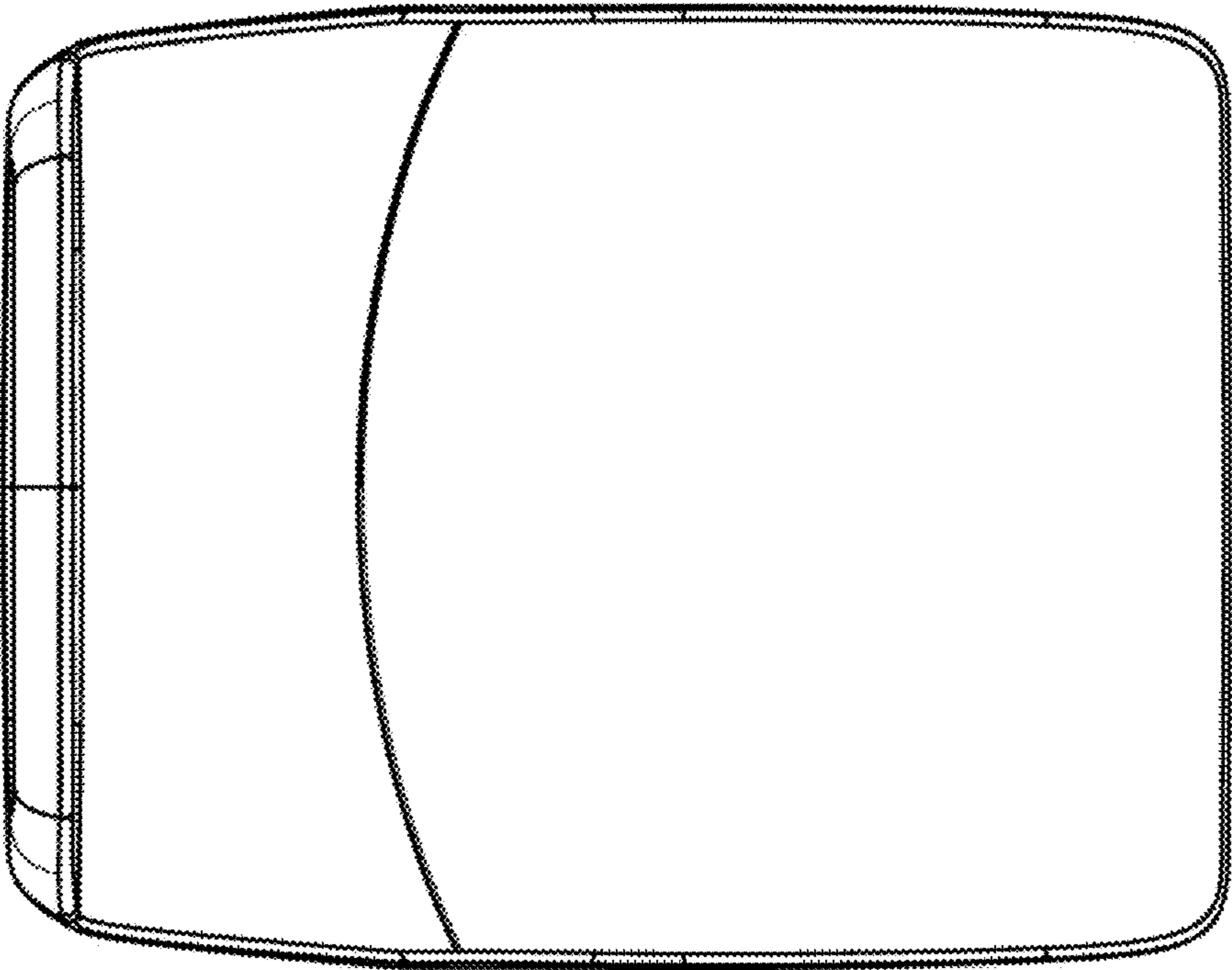


FIGURE 5