



US00D672977S

(12) **United States Design Patent**
Lade

(10) **Patent No.:** **US D672,977 S**
(45) **Date of Patent:** **** Dec. 25, 2012**

(54) **TABLE COMBINED WITH TWO FOOTSTOOLS**

(75) Inventor: **Jan Lade**, Ikornnes (NO)

(73) Assignee: **Ekornes ASA**, Ikornnes (NO)

(**) Term: **14 Years**

(21) Appl. No.: **29/411,755**

(22) Filed: **Jan. 25, 2012**

(30) **Foreign Application Priority Data**

Aug. 26, 2011 (NO) 20110703

(51) **LOC (9) Cl.** **06-05**

(52) **U.S. Cl.** **D6/336; D6/480; D6/397**

(58) **Field of Classification Search** D6/480-489,
D6/495-499, 397, 336, 338, 340, 349; 108/150,
108/152, 153.1, 156, 161, 50.14; 248/188,
248/188.1, 188.8; 297/423.41, 140-143,
297/461, 462; 312/235.3

See application file for complete search history.

(56) **References Cited**

U.S. PATENT DOCUMENTS

D189,753 S * 2/1961 Clark D6/475
3,479,083 A * 11/1969 Lafer 297/118
D284,339 S * 6/1986 Berry, Jr. D6/477

D387,571 S * 12/1997 Schweter D6/336
6,045,193 A * 4/2000 Johnson 297/423.41
D459,097 S * 6/2002 Liu D6/336
D459,901 S * 7/2002 Liu D6/336
D493,966 S * 8/2004 Rach D6/349
D627,981 S * 11/2010 Shen D6/338

* cited by examiner

Primary Examiner — Janice Seeger

(74) *Attorney, Agent, or Firm* — Schneck & Schneck;
Thomas Schneck

(57) **CLAIM**

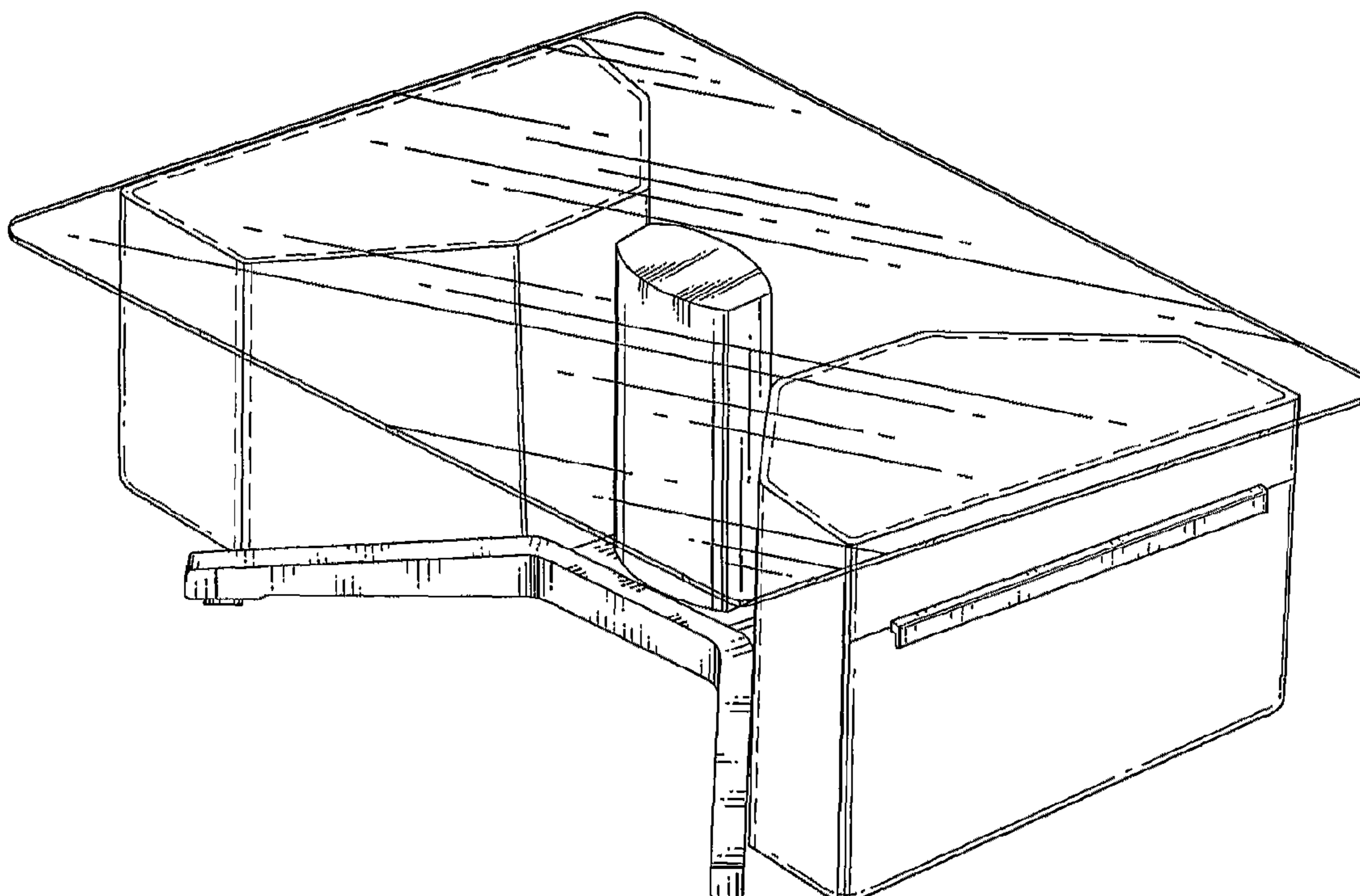
I claim the ornamental design for a table combined with two footstools, as shown.

DESCRIPTION

FIG. 1 is a front perspective view for a table combined with two footstools of my design;
FIG. 2 is a rear perspective view thereof;
FIG. 3 is a top view thereof;
FIG. 4 is a bottom view thereof;
FIG. 5 is a front elevational view thereof;
FIG. 6 is a back elevational view thereof;
FIG. 7 is a left side view thereof; and,
FIG. 8 is a right side bottom thereof.

The broken lines are for environmental purposes only and form no part of the claimed design.

1 Claim, 4 Drawing Sheets



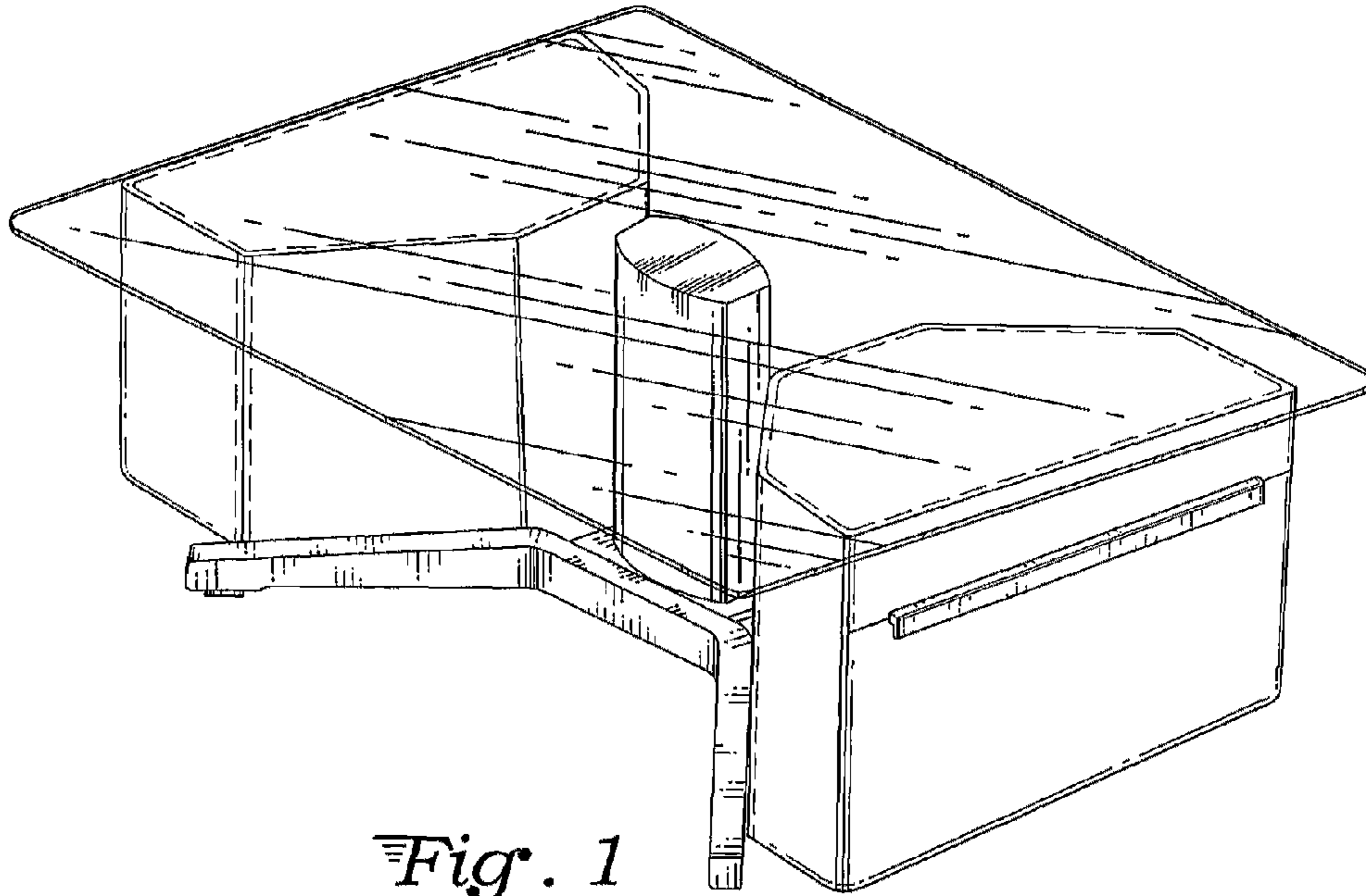


Fig. 1

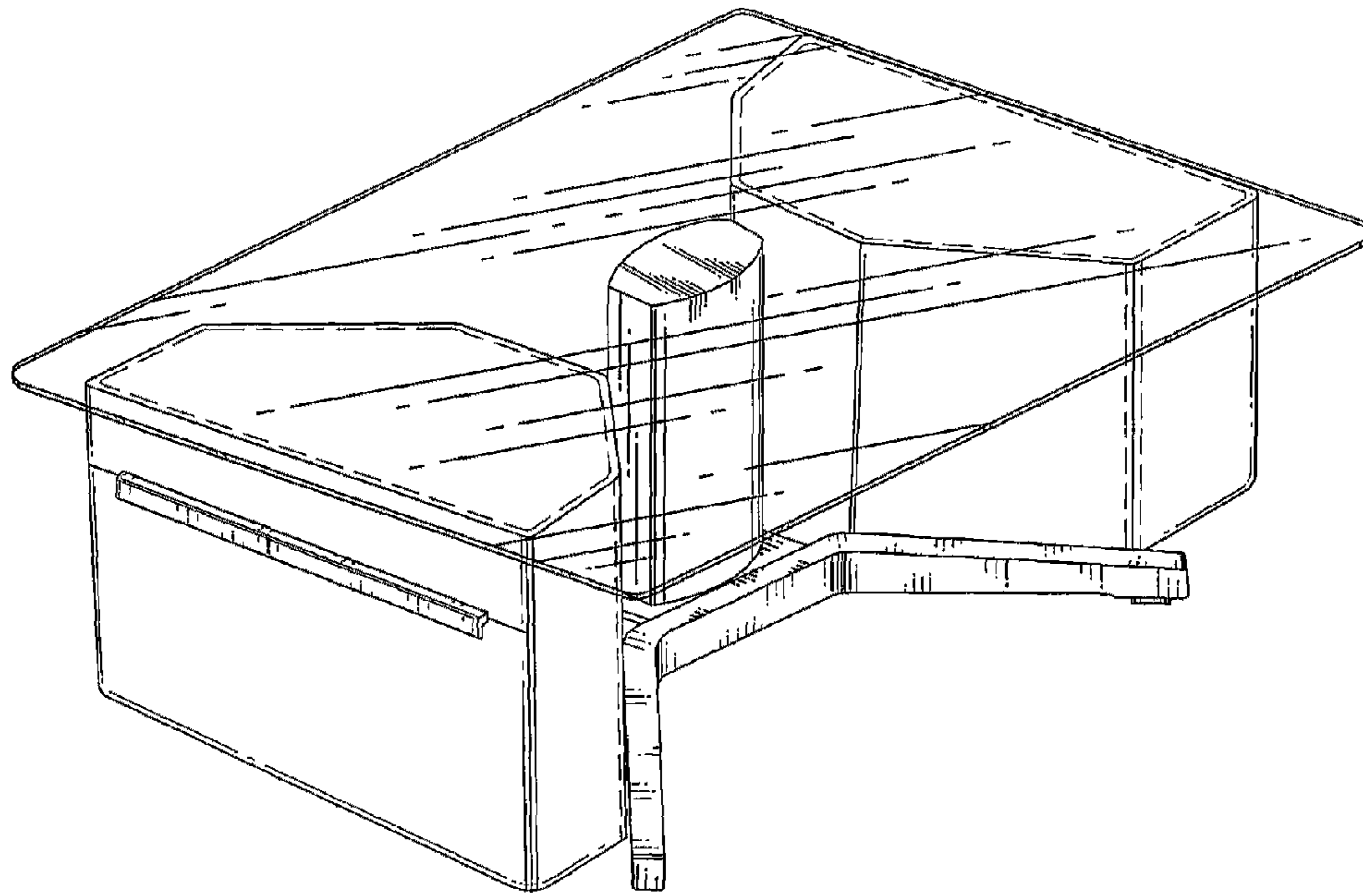


Fig. 2

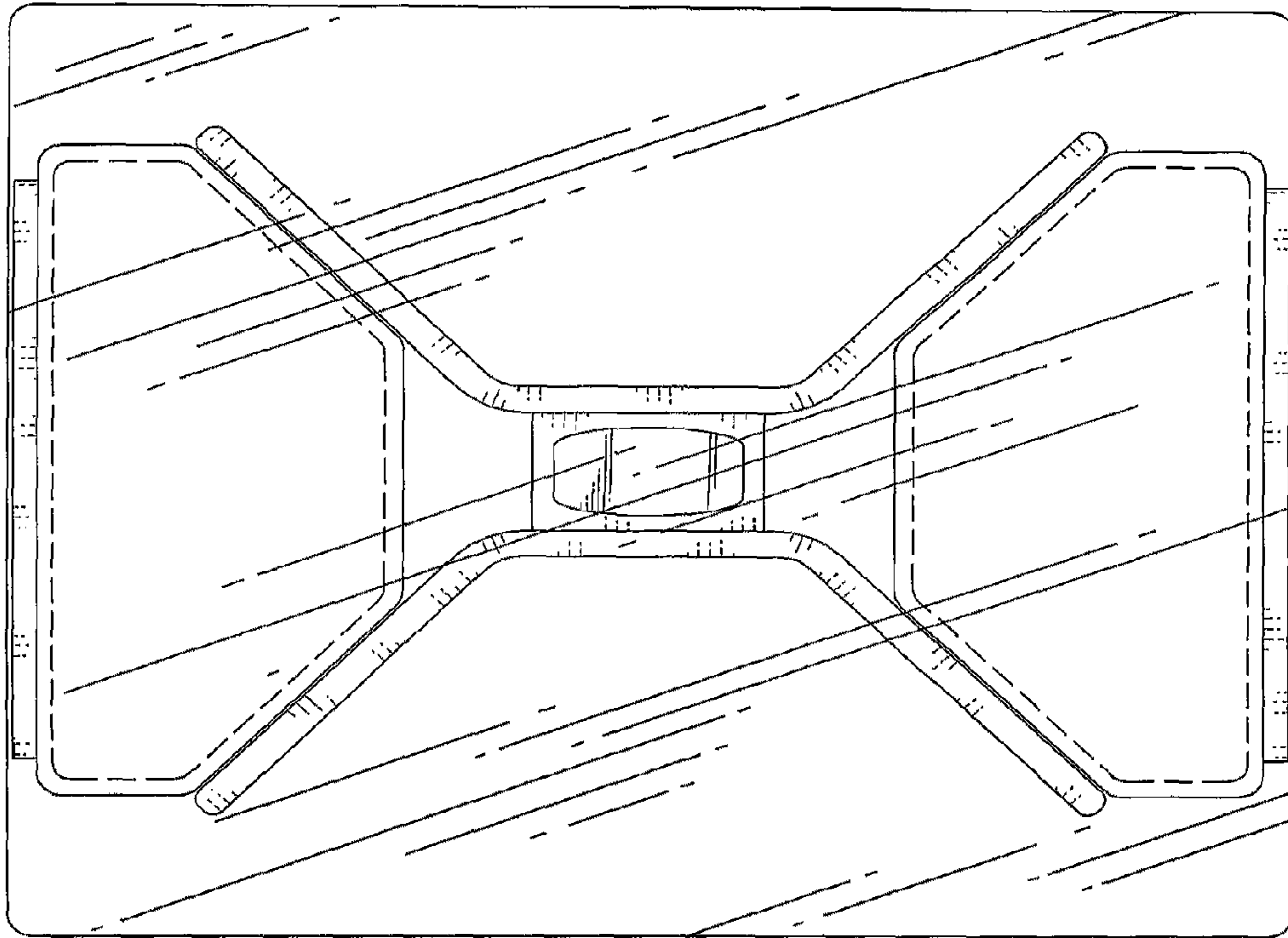


Fig. 3

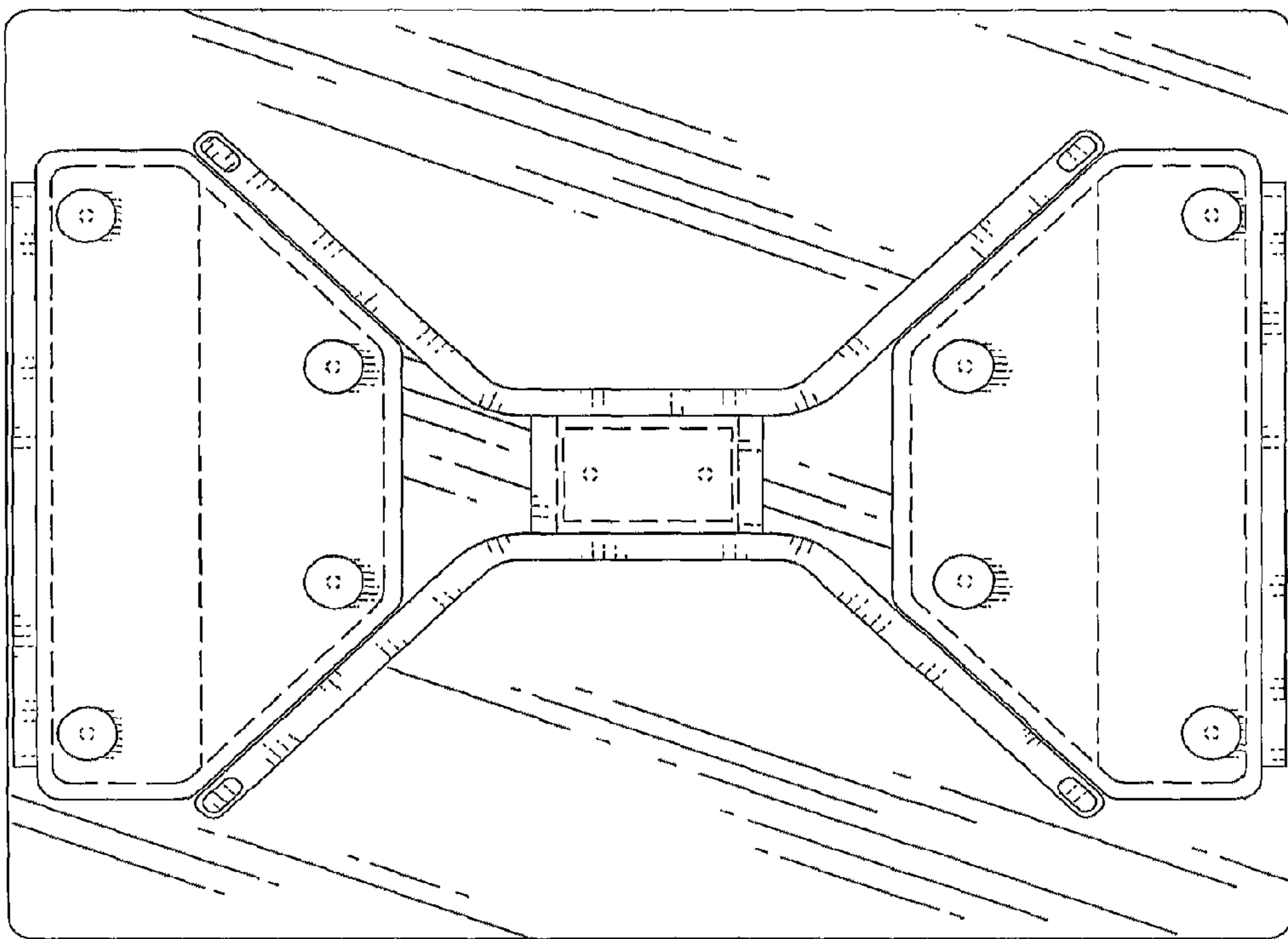


Fig. 4

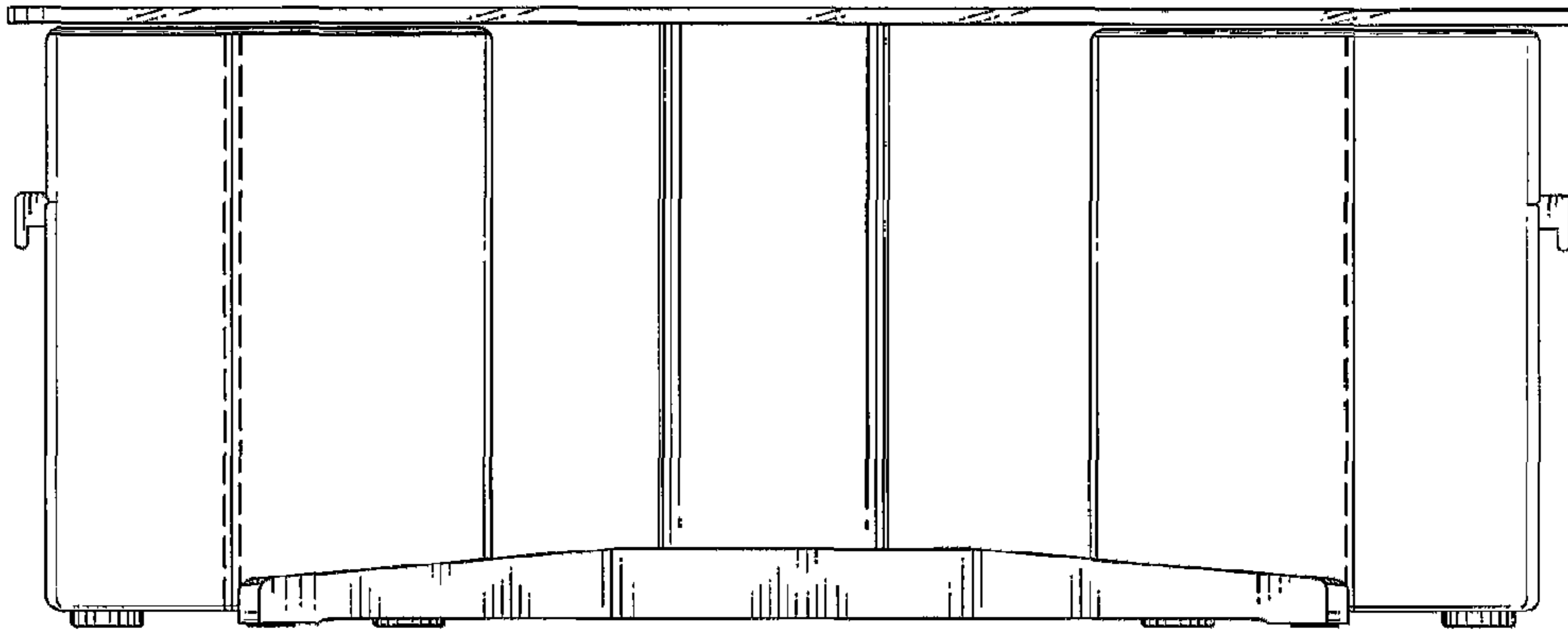


Fig. 5

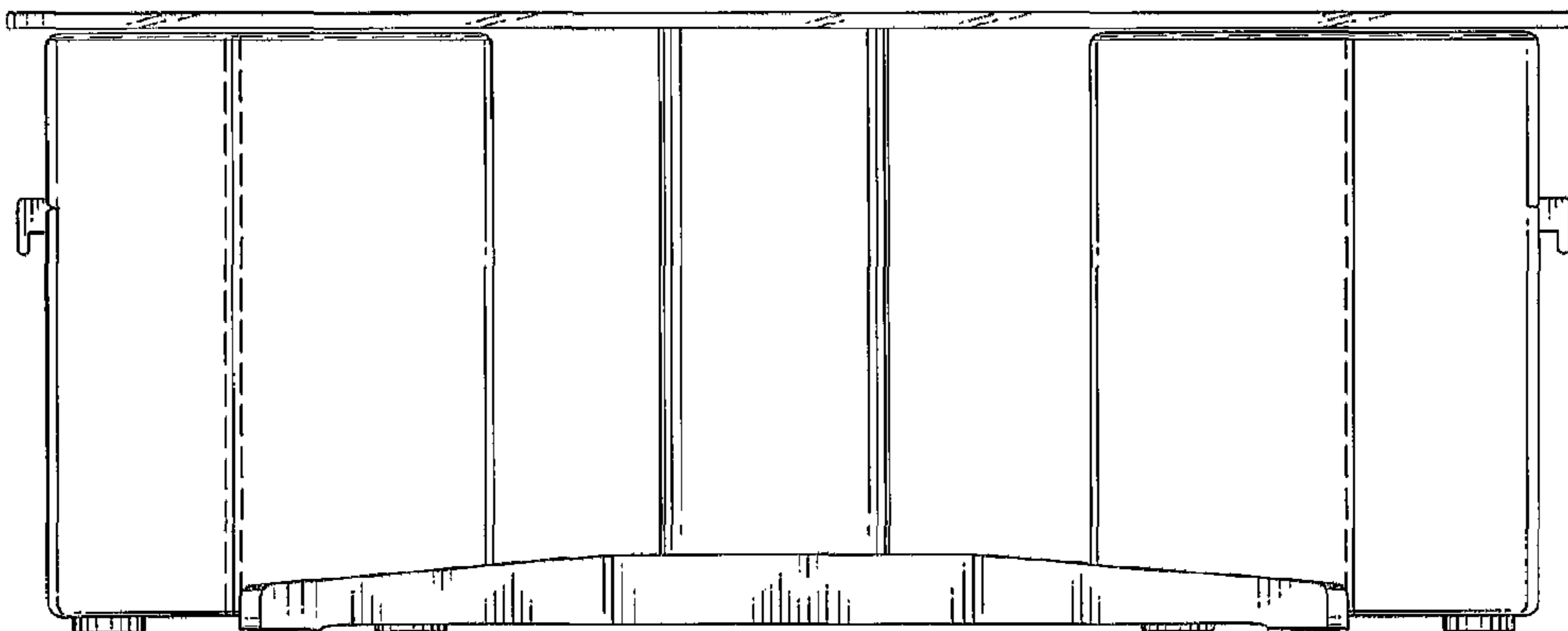


Fig. 6

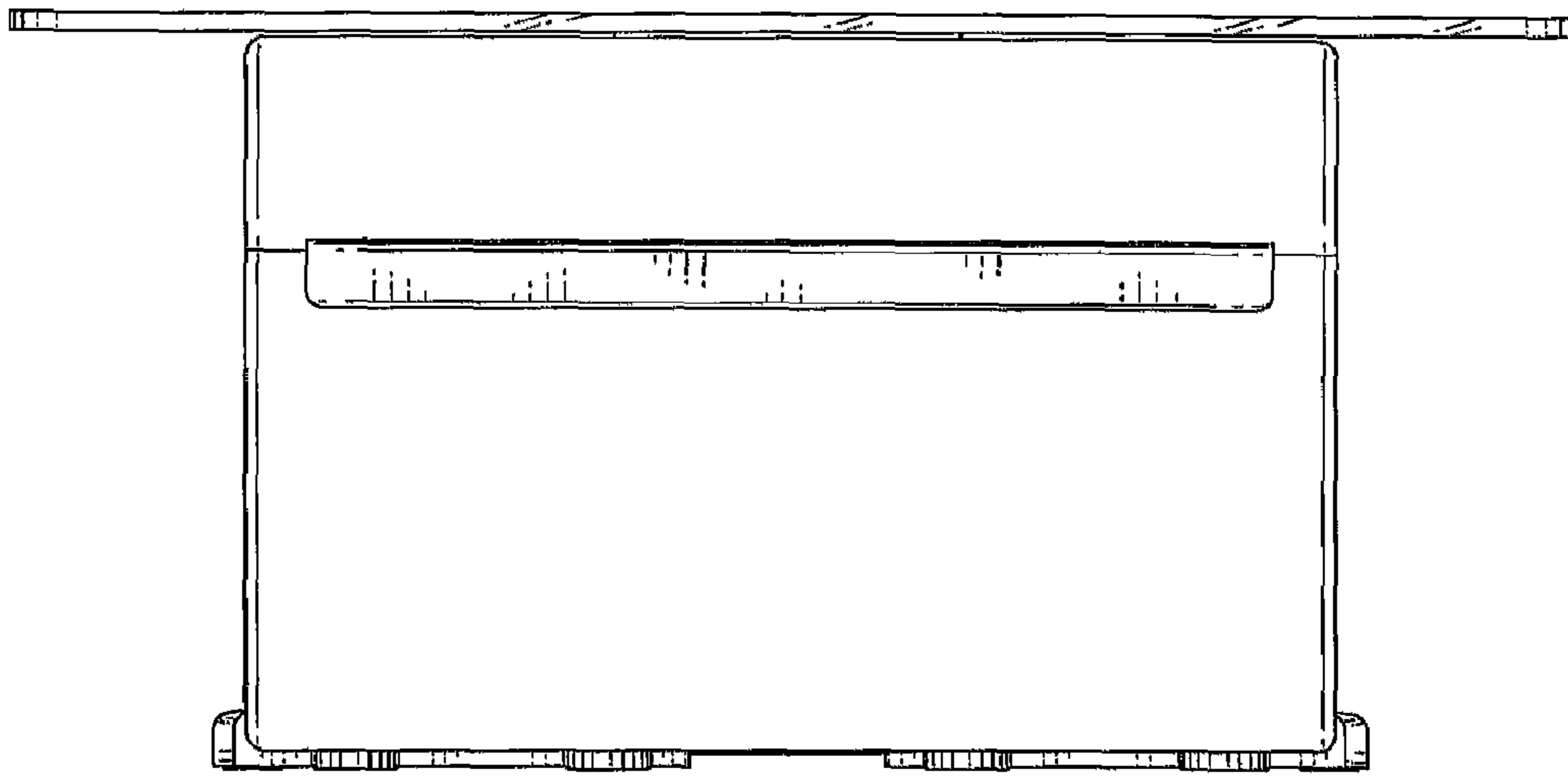


Fig. 7

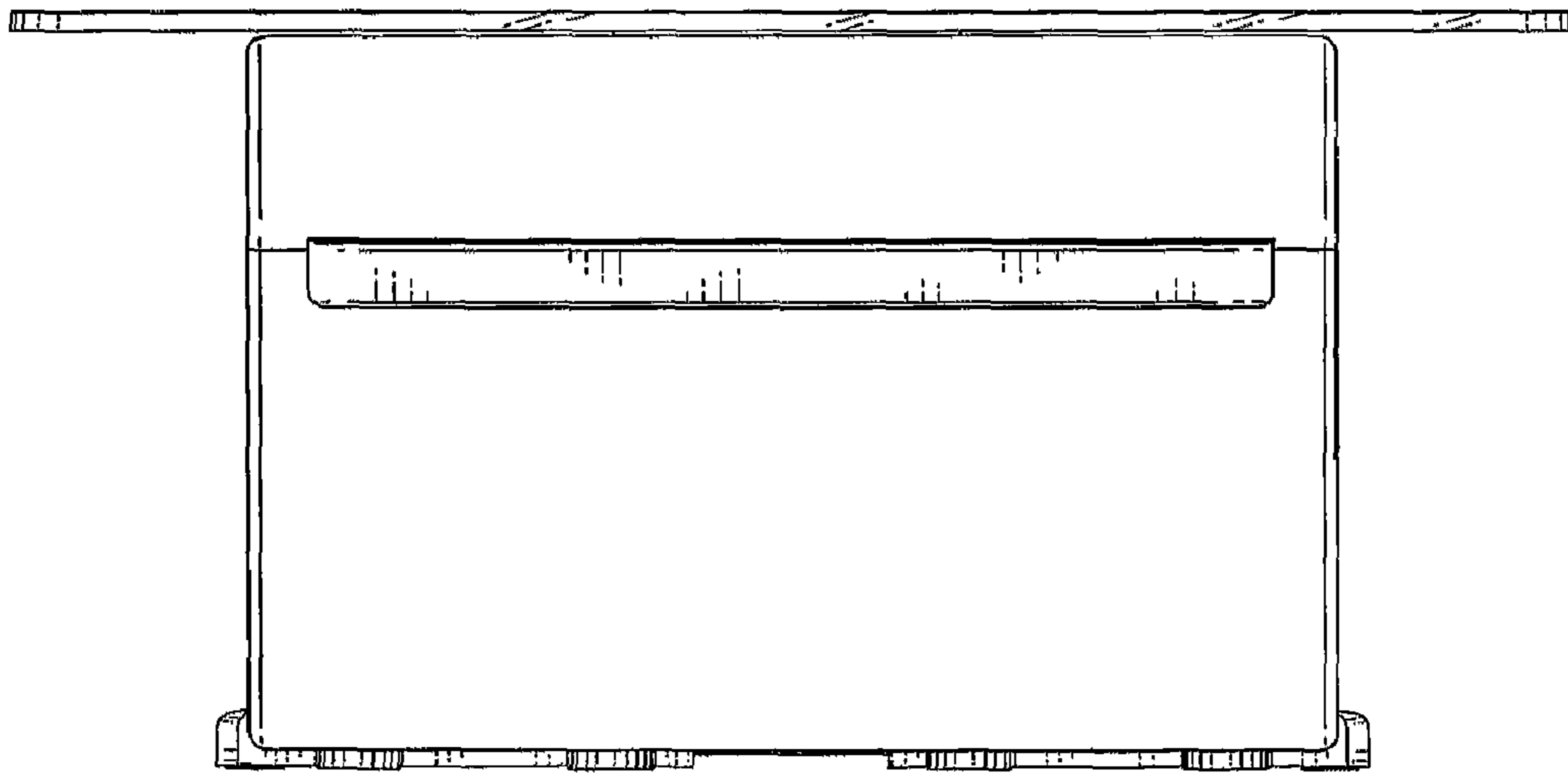


Fig. 8