



US00D672975S

(12) **United States Design Patent**
Rashid

(10) **Patent No.:** **US D672,975 S**
(45) **Date of Patent:** **** Dec. 25, 2012**

(54) **FURNITURE FOR HAIRDRESSERS**

(75) Inventor: **Karim Rashid**, Castiglione D. Stiviere (IT)

(73) Assignee: **Gamma & Bross S.p.A.**, Castiglione D. Stiviere (IT)

(**) Term: **14 Years**

(21) Appl. No.: **29/425,928**

(22) Filed: **Jun. 28, 2012**

Related U.S. Application Data

(62) Division of application No. 29/315,845, filed on Jul. 29, 2009, now Pat. No. Des. 662,721.

(30) **Foreign Application Priority Data**

Jan. 29, 2009 (EM) 1078836

(51) **LOC (9) Cl.** **06-01**

(52) **U.S. Cl.** **D6/335; D6/364**

(58) **Field of Classification Search** D6/334, D6/335, 337, 349, 353, 380, 381, 500-502, D6/374, 364; 297/14, 43, 44, 118, 140, 245, 297/300.1, 311, 353, 354.1, 445.1, 446.1, 297/446.2, 447.4, 465, 900, DIG. 2, DIG. 7; 5/12.1, 12.2

See application file for complete search history.

(56) **References Cited**

U.S. PATENT DOCUMENTS

2,989,112	A	*	6/1961	Sonnleitner	156/213
D219,376	S	*	12/1970	Pearson	D6/364
D223,444	S		4/1972	Glaser		
D245,924	S		9/1977	Hansen		
D314,869	S		2/1991	Entratter		
D315,643	S		3/1991	Guy		
D346,070	S		4/1994	Kither		
D348,361	S		7/1994	Beecher		
D384,212	S	*	9/1997	Infanti	D6/360
D384,213	S	*	9/1997	Infanti	D6/364

D435,937	S	*	1/2001	Back et al.	D28/61
D455,566	S	*	4/2002	Park	D6/336
D459,448	S		6/2002	Minami		
D472,720	S		4/2003	Cheng		
D489,189	S		5/2004	Cheng		
D498,599	S	*	11/2004	Luong	D6/336
D500,212	S		12/2004	Potter		
D508,786	S	*	8/2005	Natuzzi	D6/364
D508,788	S	*	8/2005	Natuzzi	D6/364
D508,790	S	*	8/2005	Natuzzi	D6/364
D526,505	S	*	8/2006	Gruenwald et al.	D6/381
D549,972	S		9/2007	Garcia		
D550,464	S	*	9/2007	Bauchet	D6/334
D555,368	S	*	11/2007	Wieland	D6/334
D557,948	S		12/2007	Ng		
D600,033	S	*	9/2009	Natuzzi	D6/364
D609,931	S	*	2/2010	Young-il et al.	D6/364
D626,768	S	*	11/2010	Galati et al.	D6/502
D637,830	S	*	5/2011	Li	D6/372
D648,553	S	*	11/2011	Wilson et al.	D6/366
D648,946	S	*	11/2011	Wilson et al.	D6/366
D654,712	S	*	2/2012	Wilson et al.	D6/366
D657,582	S	*	4/2012	Wilson et al.	D6/366
D657,583	S	*	4/2012	Wilson et al.	D6/366
D660,055	S	*	5/2012	Kane	D6/500

* cited by examiner

Primary Examiner — Sandra Snapp

(74) *Attorney, Agent, or Firm* — Frommer Lawrence & Haug LLP; Ronald R. Santucci

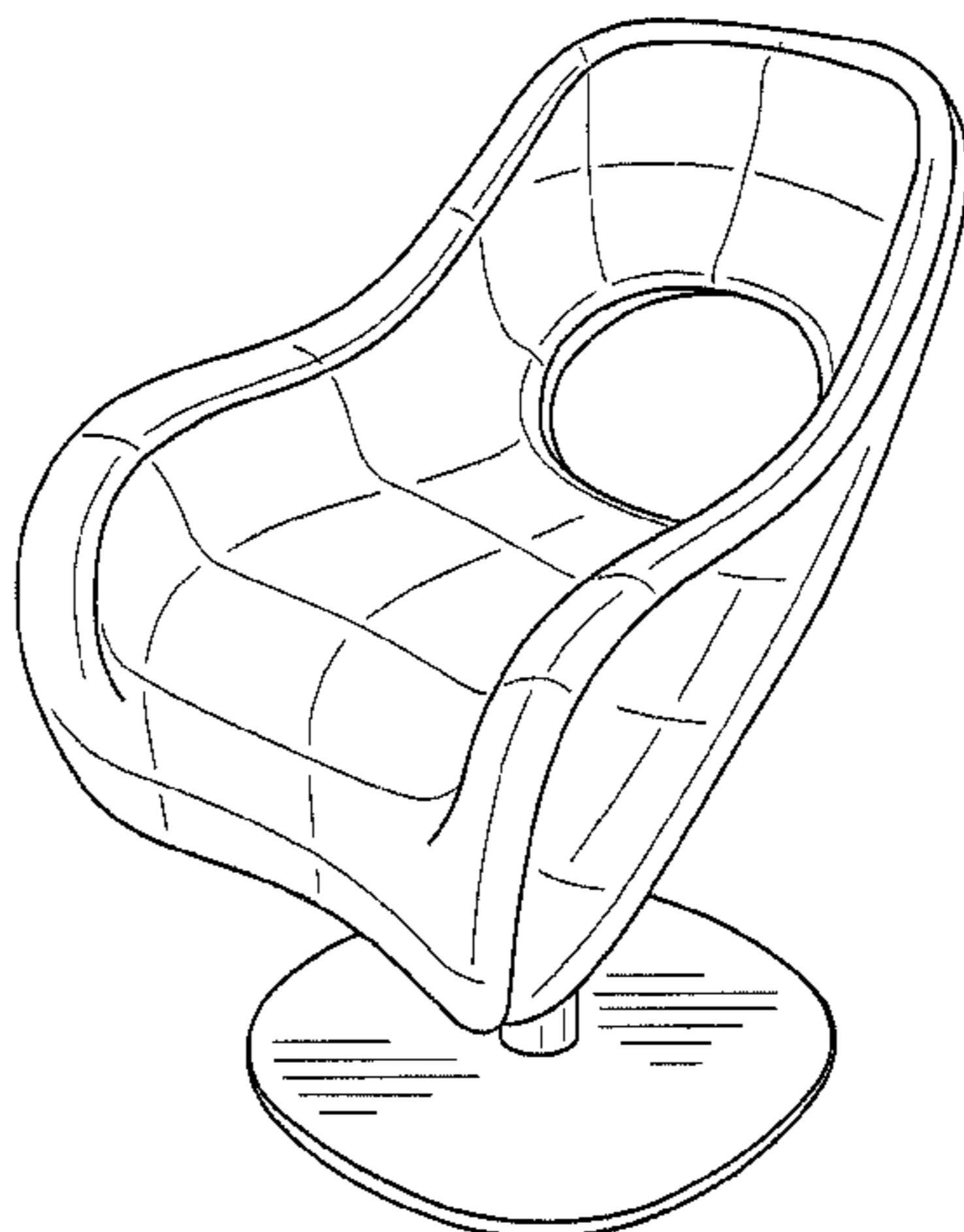
(57) **CLAIM**

The ornamental designs for furniture for hairdressers, as shown and described.

DESCRIPTION

FIG. 1 is a front perspective view of my furniture for hairdressers;
FIG. 2 is a rear perspective view thereof;
FIG. 3 is a front view thereof;
FIG. 4 is a rear view thereof;
FIG. 5 is a right side view thereof;
FIG. 6 is a left side view thereof; and,
FIG. 7 is a top plan view thereof.

1 Claim, 7 Drawing Sheets



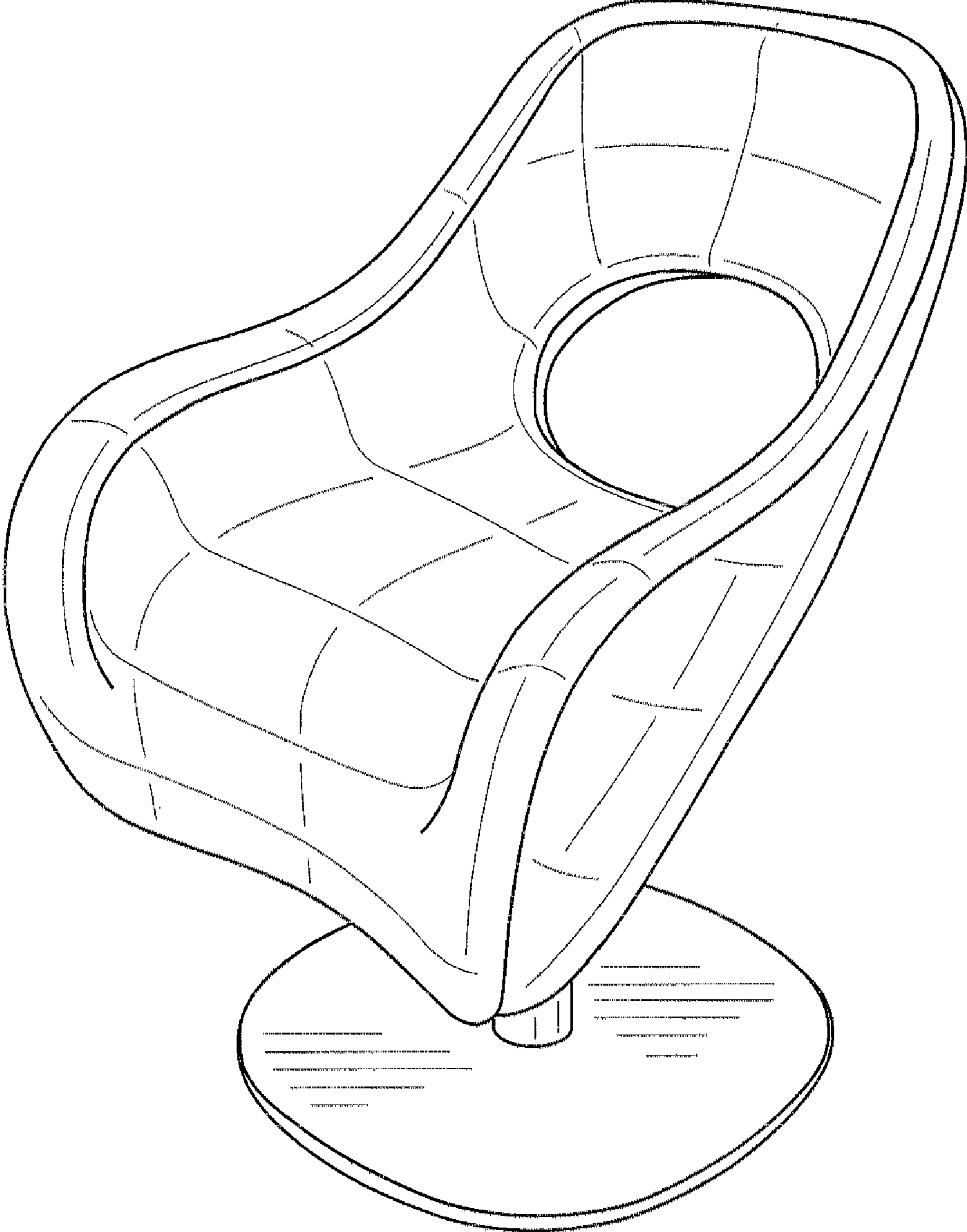


FIG. 1

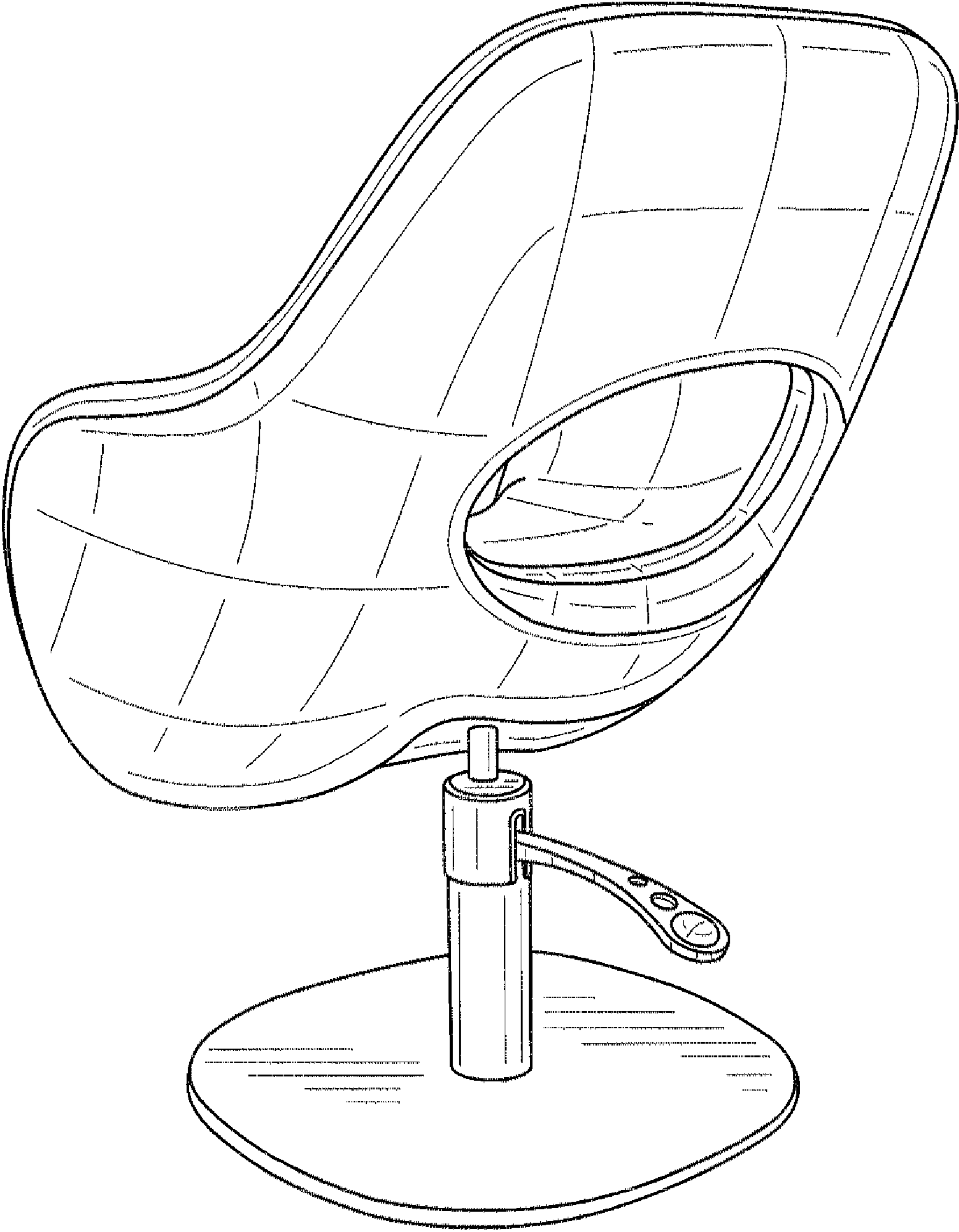


FIG. 2

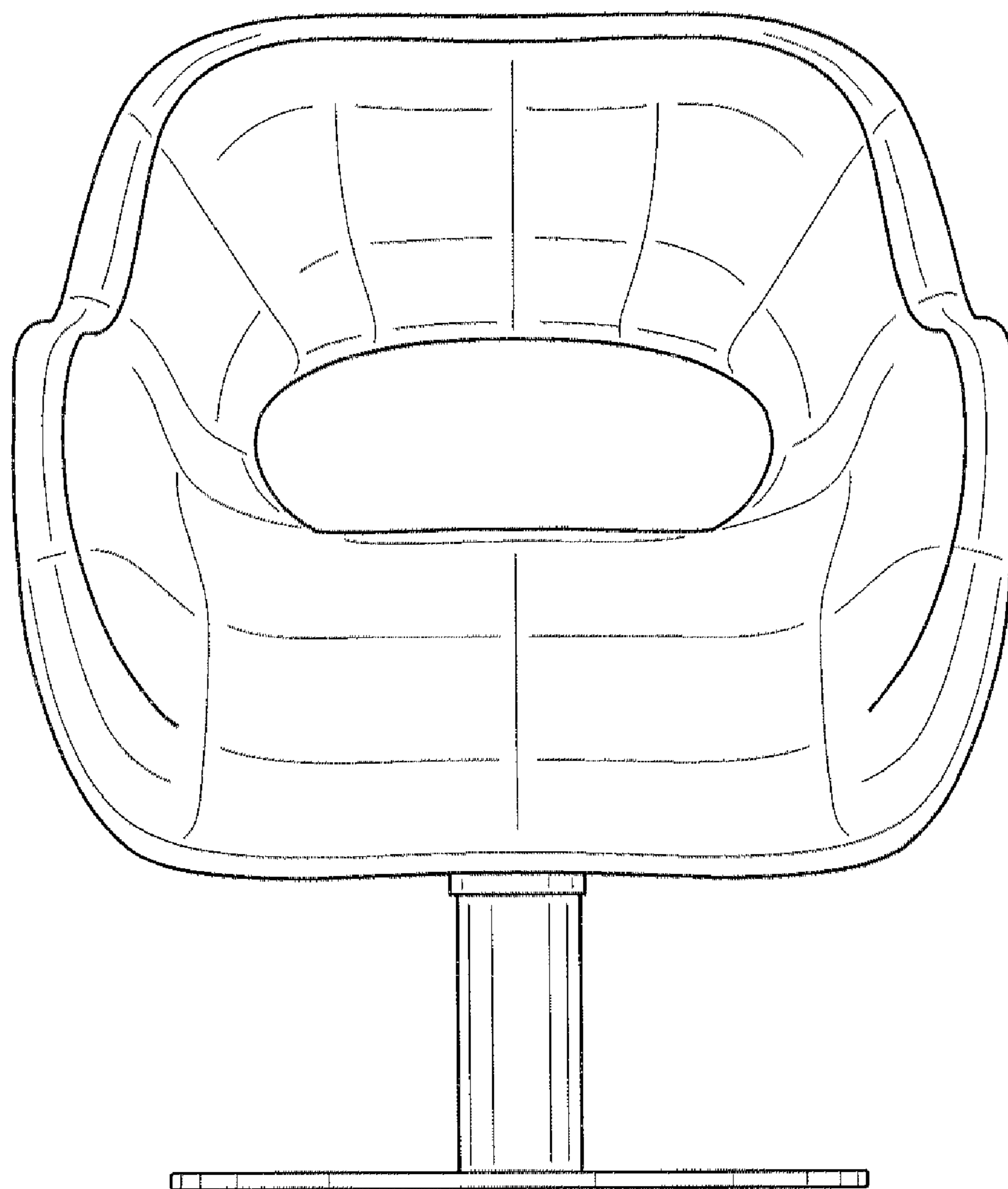


FIG. 3

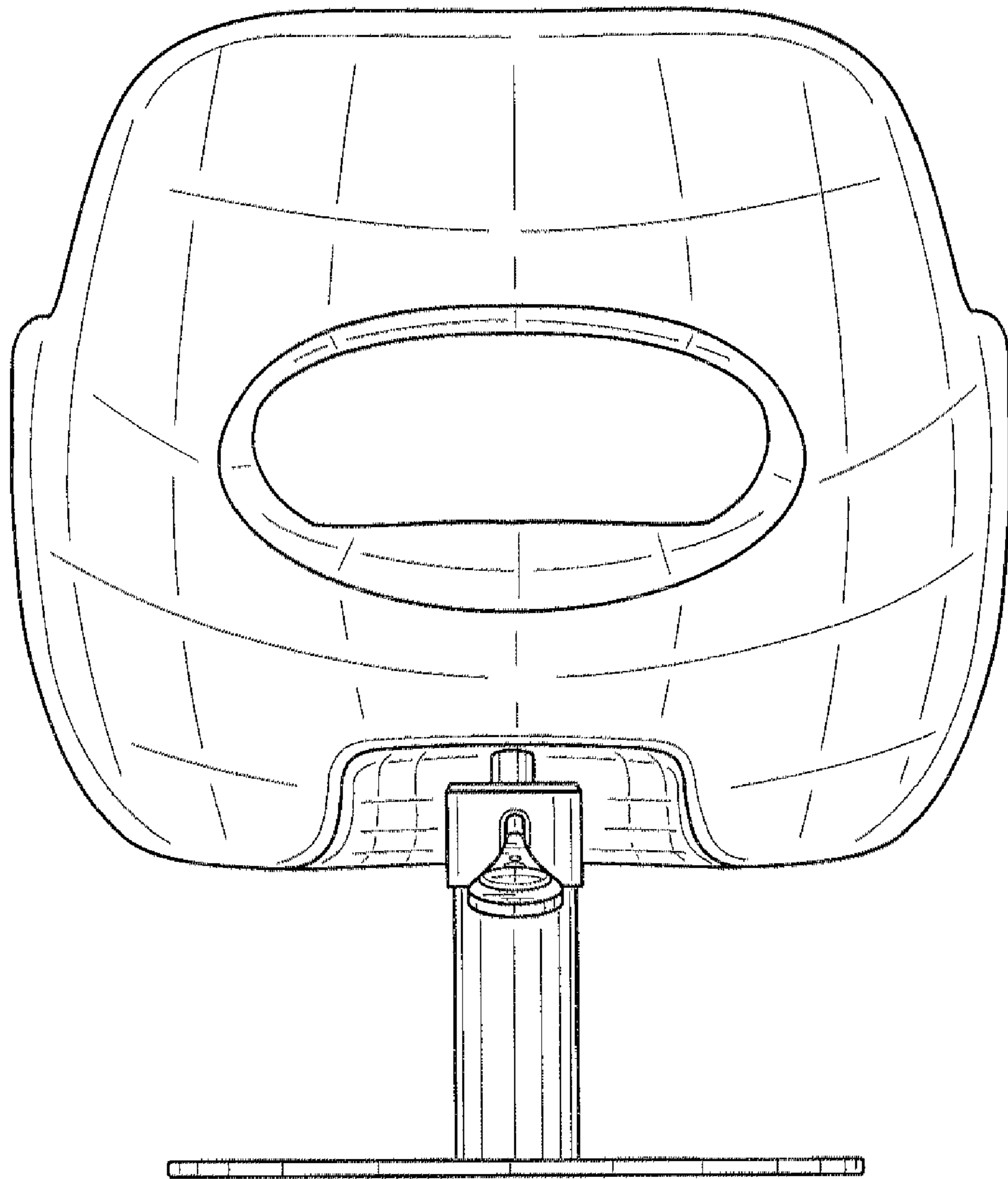


FIG. 4

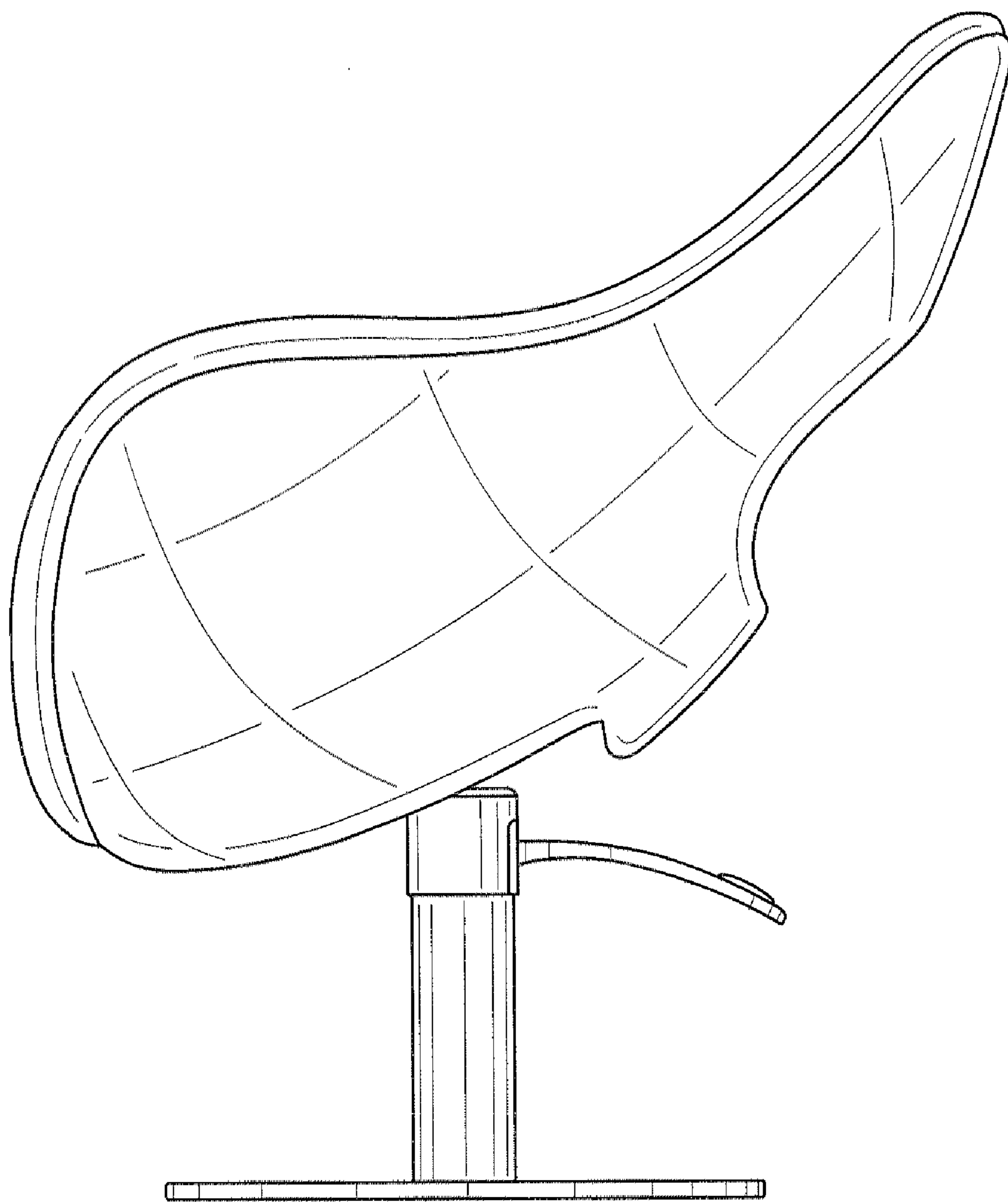


FIG. 5

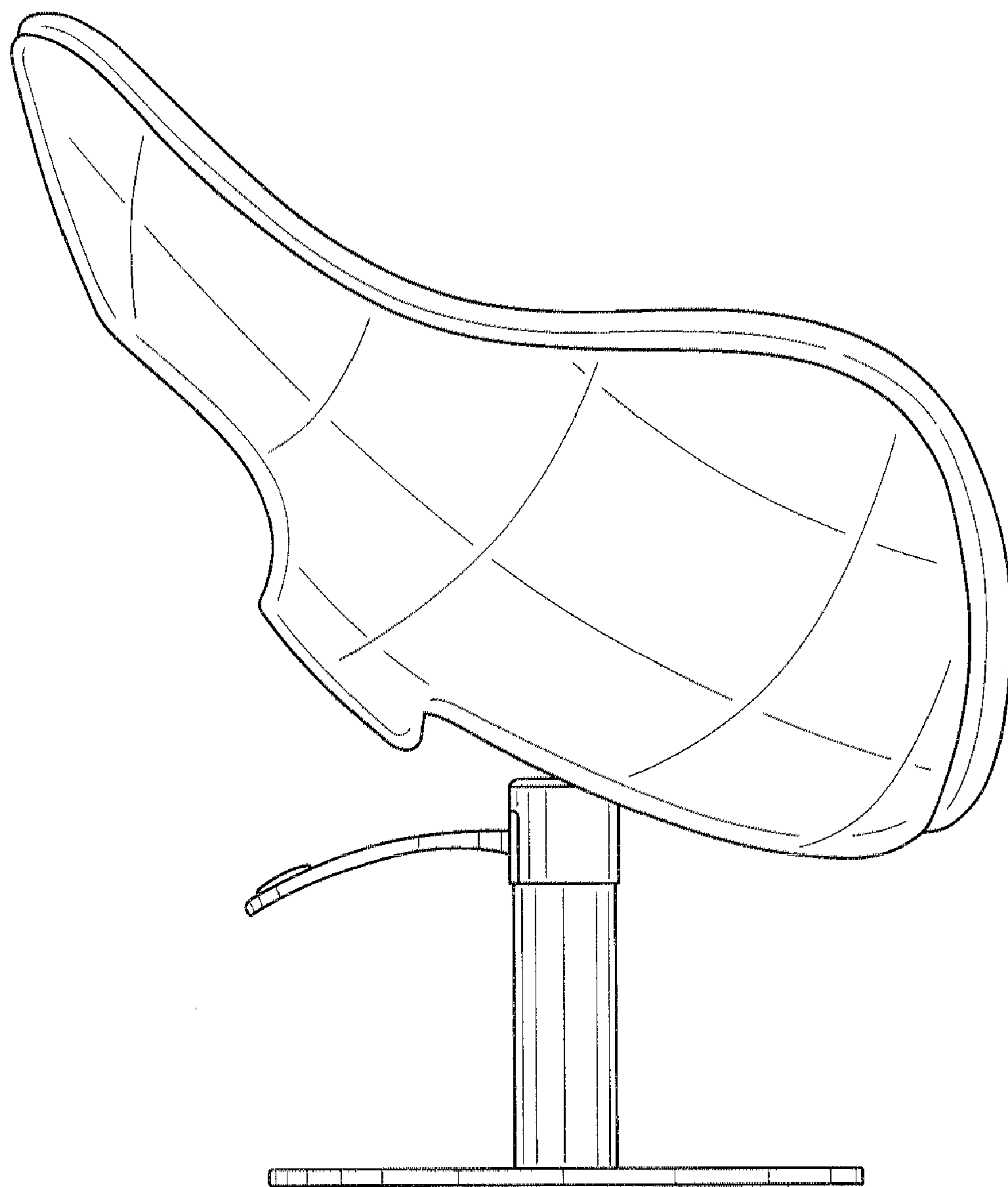


FIG. 6

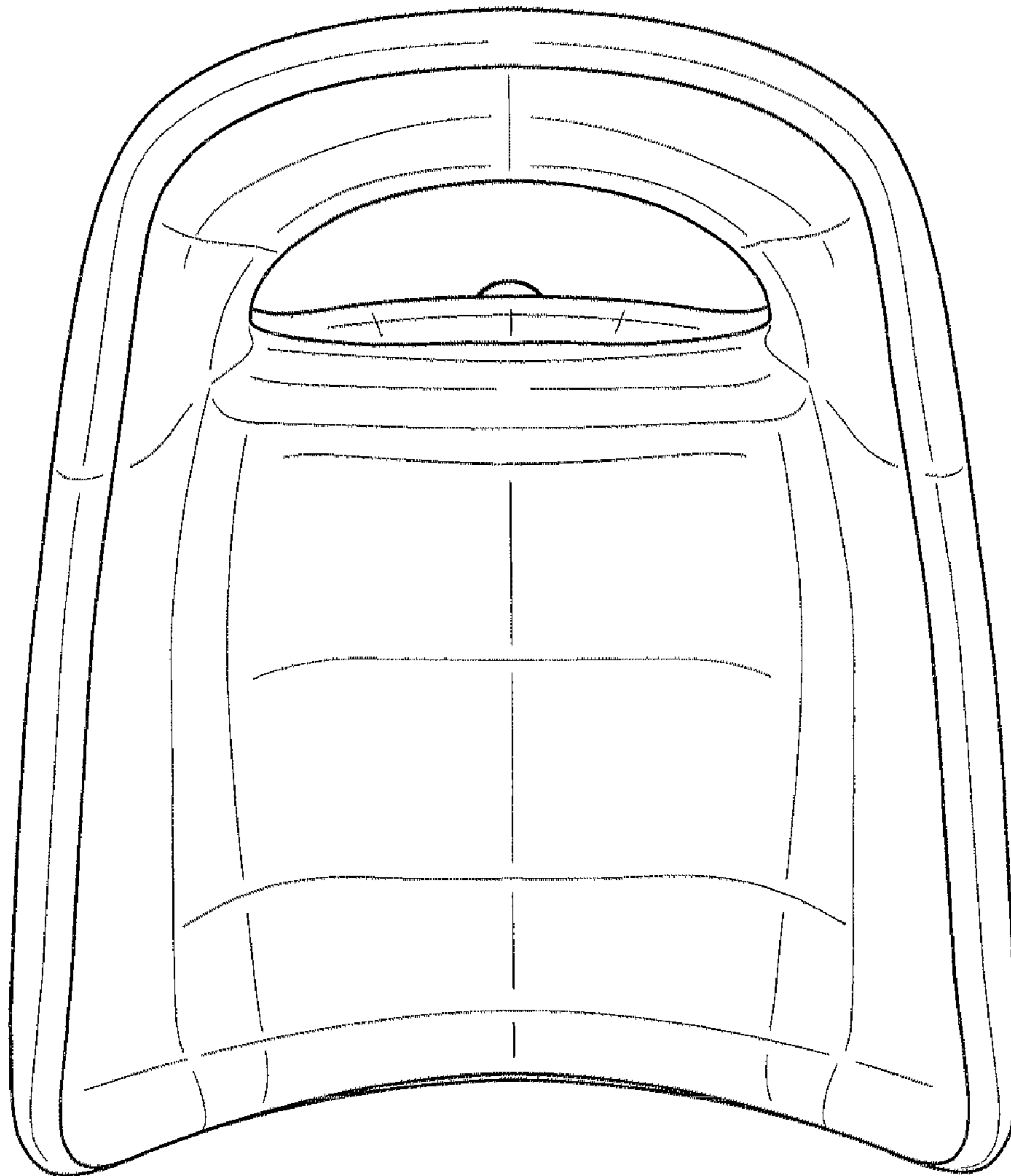


FIG. 7