



US00D672974S

(12) **United States Design Patent**
Krumpe

(10) **Patent No.:** **US D672,974 S**

(45) **Date of Patent:** **** Dec. 25, 2012**

(54) **ROBE HOOK**

D591,959 S * 5/2009 Klein et al. D6/328
D608,100 S * 1/2010 Yoo D6/323
D628,053 S * 11/2010 Goodman et al. D8/372

(75) Inventor: **Geraint Krumpe**, Chicago, IL (US)

* cited by examiner

(73) Assignee: **Liberty Hardware Mfg. Corp.**,
Winston-Salem, NC (US)

Primary Examiner — Stella Reid

Assistant Examiner — Lauren Calve

(**) Term: **14 Years**

(74) *Attorney, Agent, or Firm* — Lora J. Graentzdoerffer;
Nirav D. Parikh; Edgar A. Zarins

(21) Appl. No.: **29/414,326**

(57) **CLAIM**

The ornamental design for a robe hook, as shown and described.

(22) Filed: **Feb. 28, 2012**

(51) **LOC (9) Cl.** **06-08**

(52) **U.S. Cl.** **D6/323**

(58) **Field of Classification Search** D6/315-328;
223/85-98; D8/300, 307, 310, 321, 349,
D8/354, 367, 372, 373; 248/304, 690; D26/13,
D26/72, 81, 87, 92, 102, 111
See application file for complete search history.

DESCRIPTION

FIG. 1 is a perspective view of a robe hook showing our design;

FIG. 2 is a front elevational view thereof;

FIG. 3 is a rear elevational view thereof;

FIG. 4 is a top plan view thereof;

FIG. 5 is a bottom plan view thereof;

FIG. 6 is a left side elevational view thereof; and,

FIG. 7 is a right side elevational view thereof.

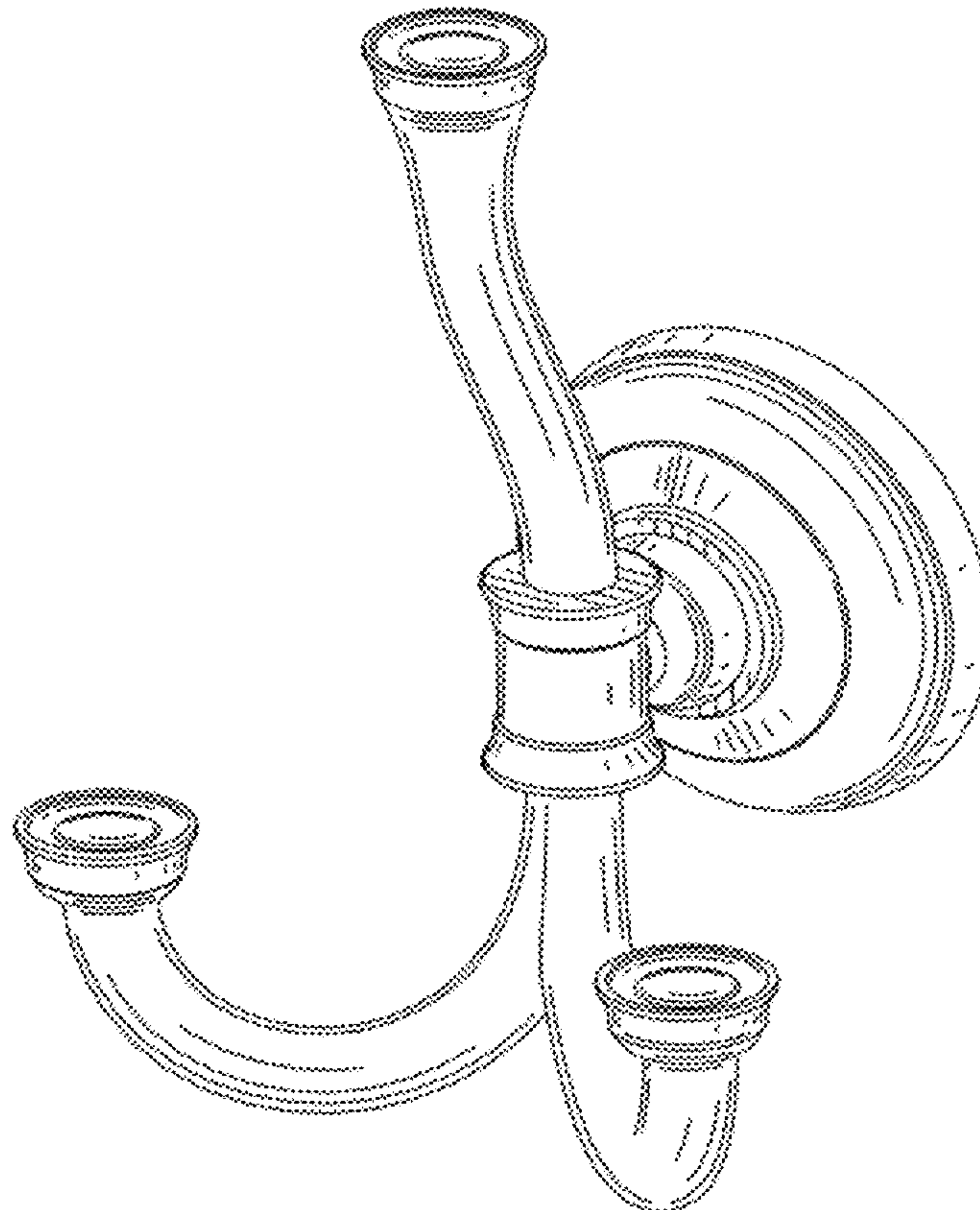
The broken-line disclosure in the views represents portions of the article in which the claimed design is embodied, but which form no part of the claimed design.

(56) **References Cited**

U.S. PATENT DOCUMENTS

D409,398 S * 5/1999 Sweetman D6/323
D473,453 S * 4/2003 Goodman et al. D8/367
D493,094 S * 7/2004 Goodman et al. D8/372
D526,493 S * 8/2006 Fields D6/323
D544,221 S * 6/2007 Krumpe et al. D6/323
D580,186 S * 11/2008 Krumpe et al. D6/323

1 Claim, 7 Drawing Sheets



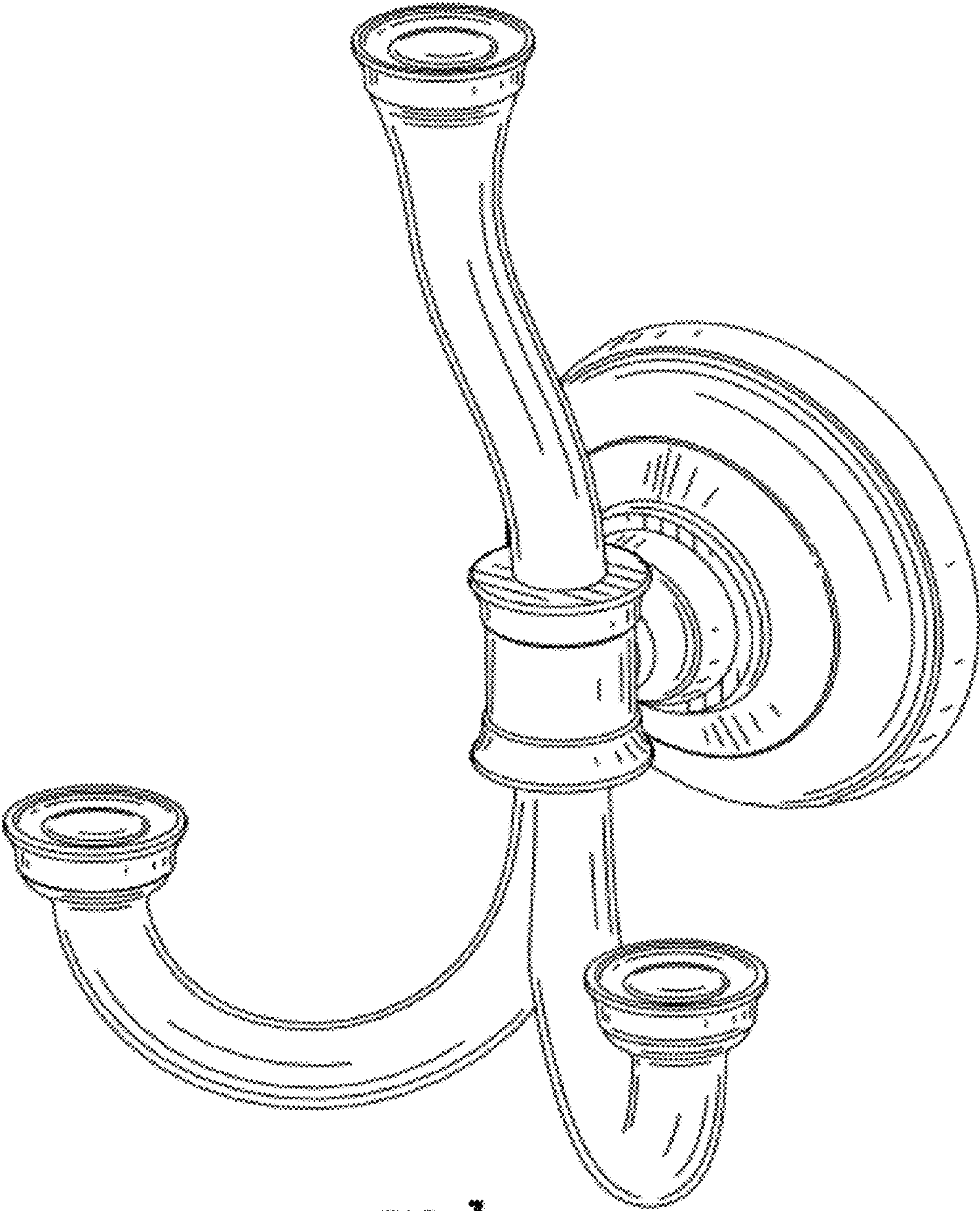


FIG. 1

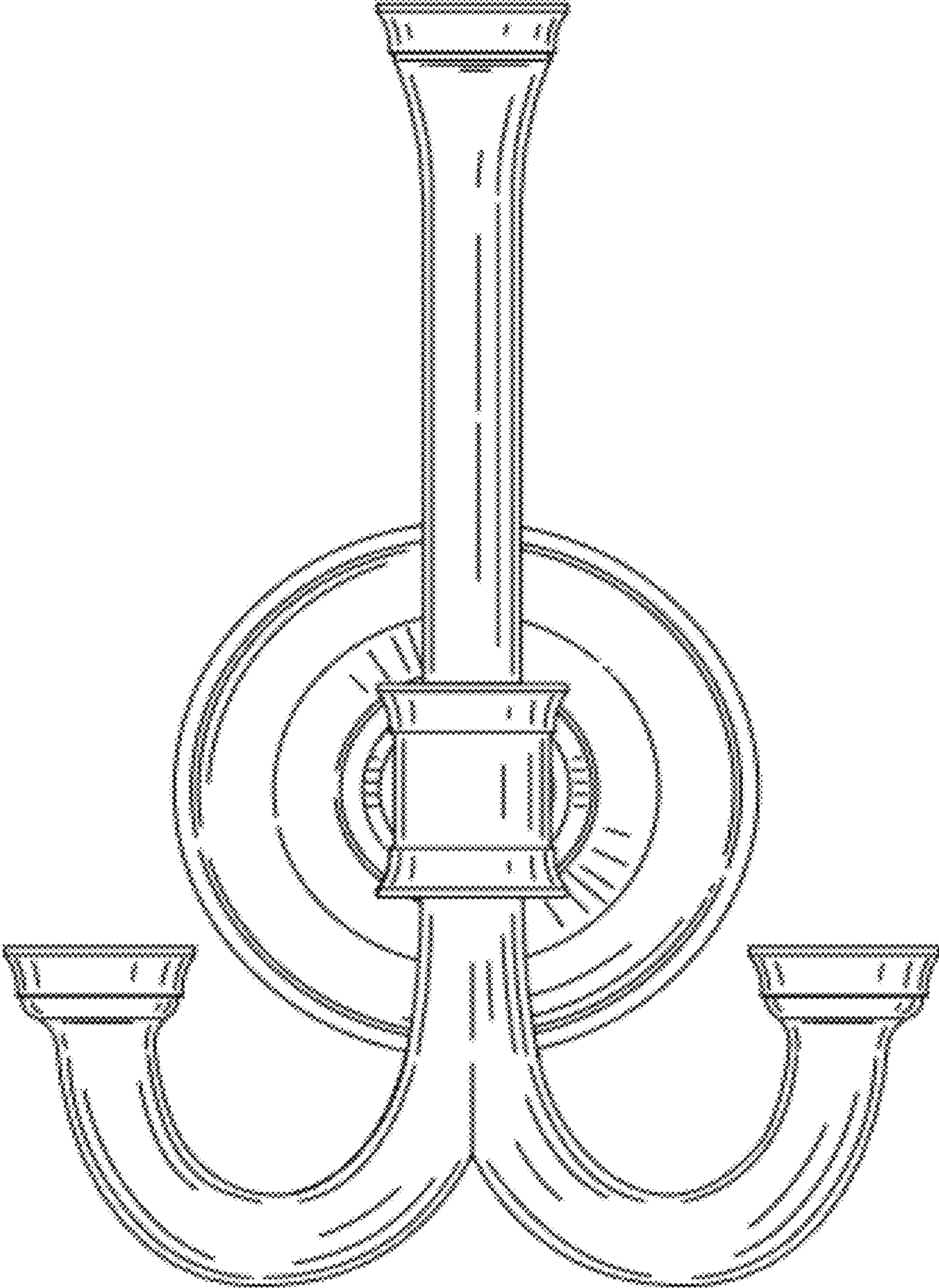


FIG. 2

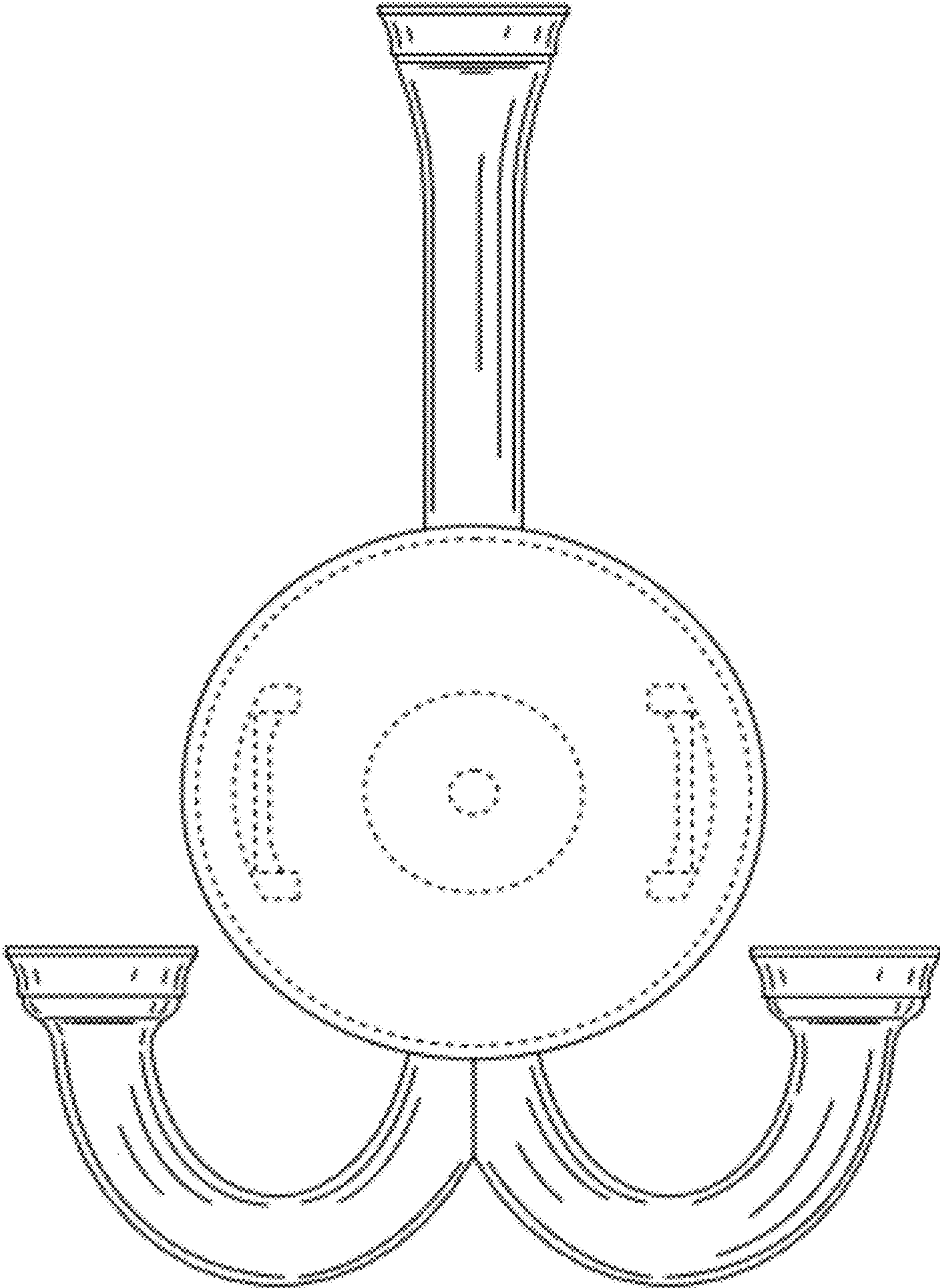


FIG. 3

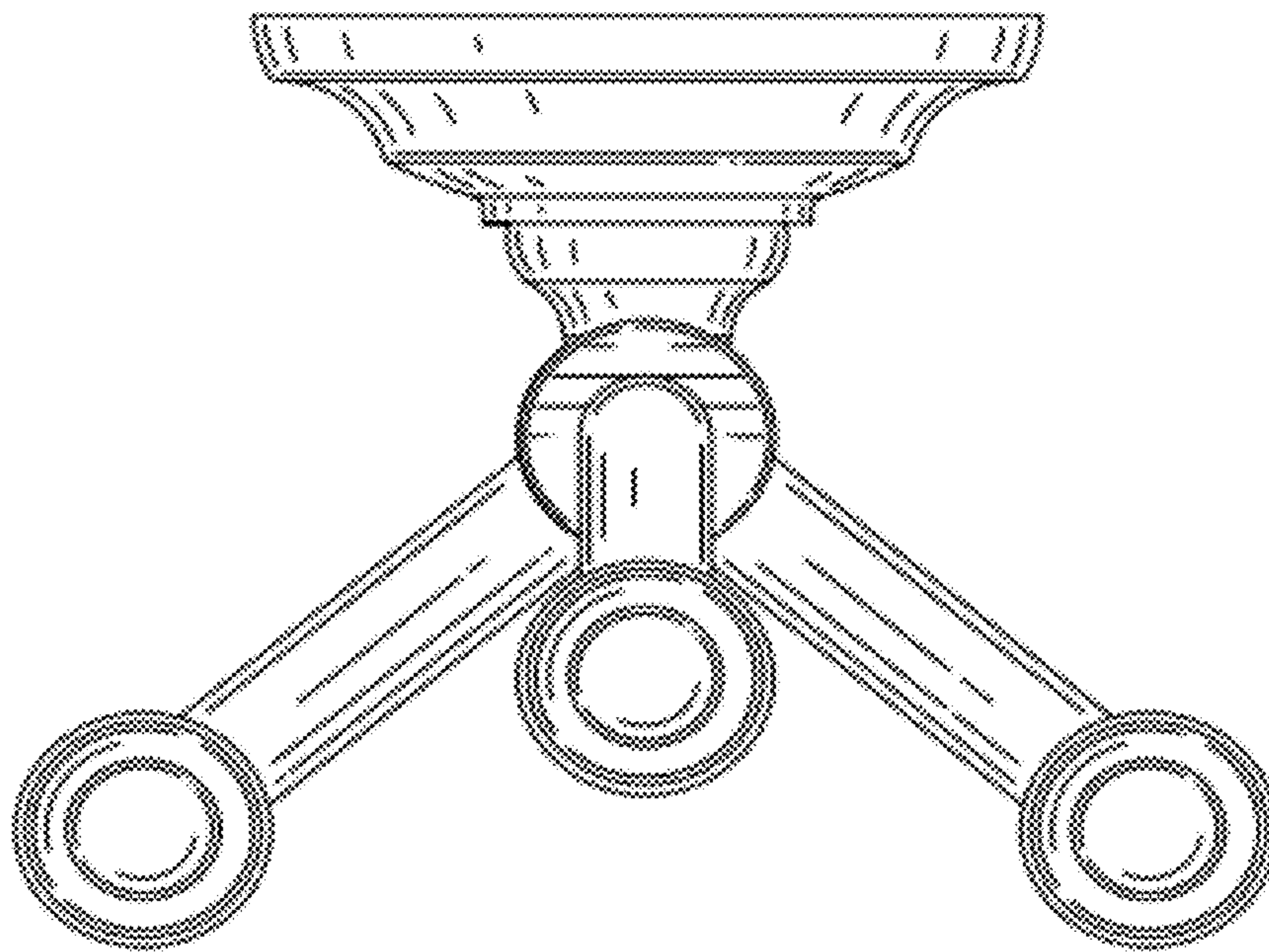


FIG. 4

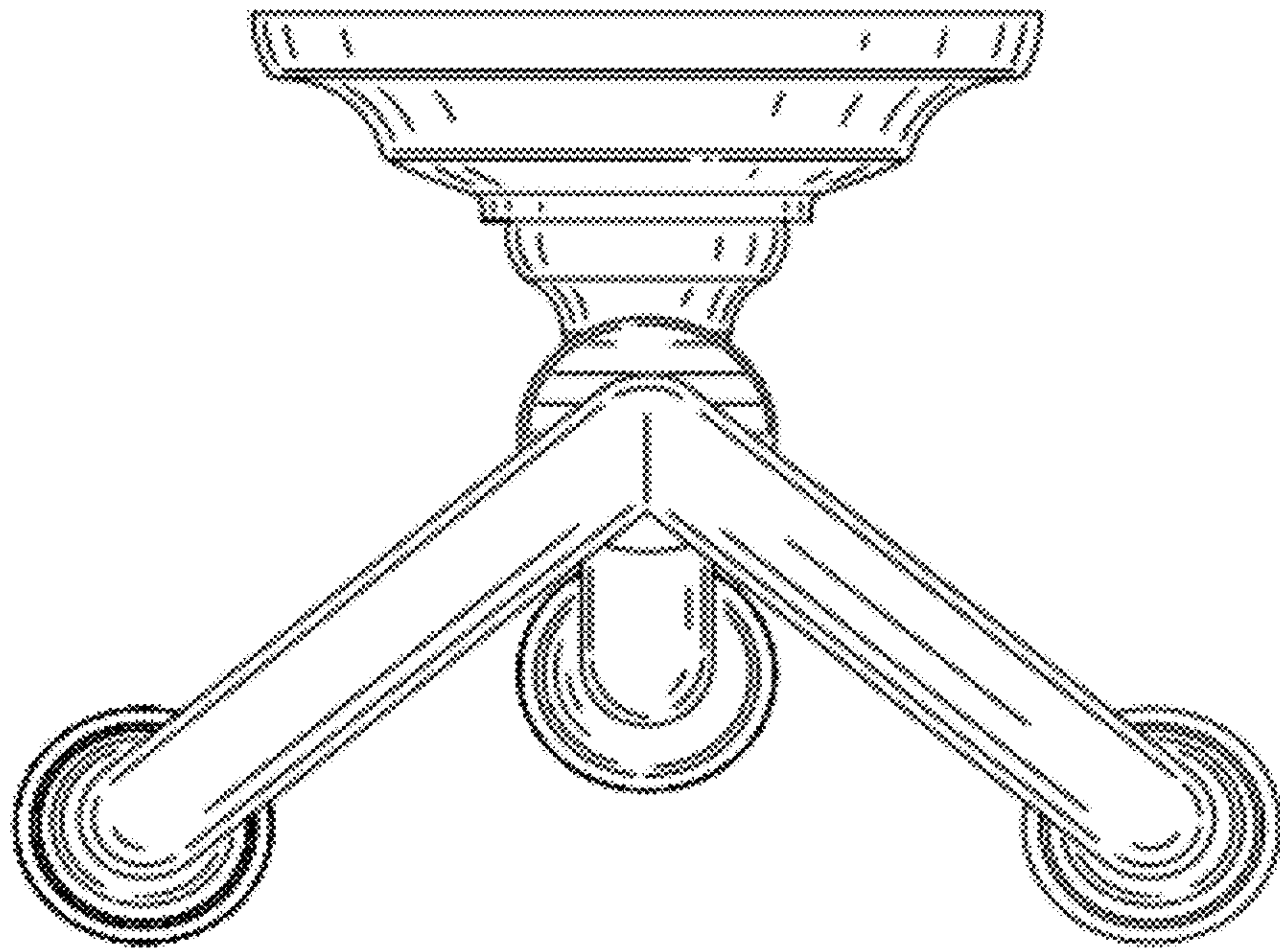


FIG. 5

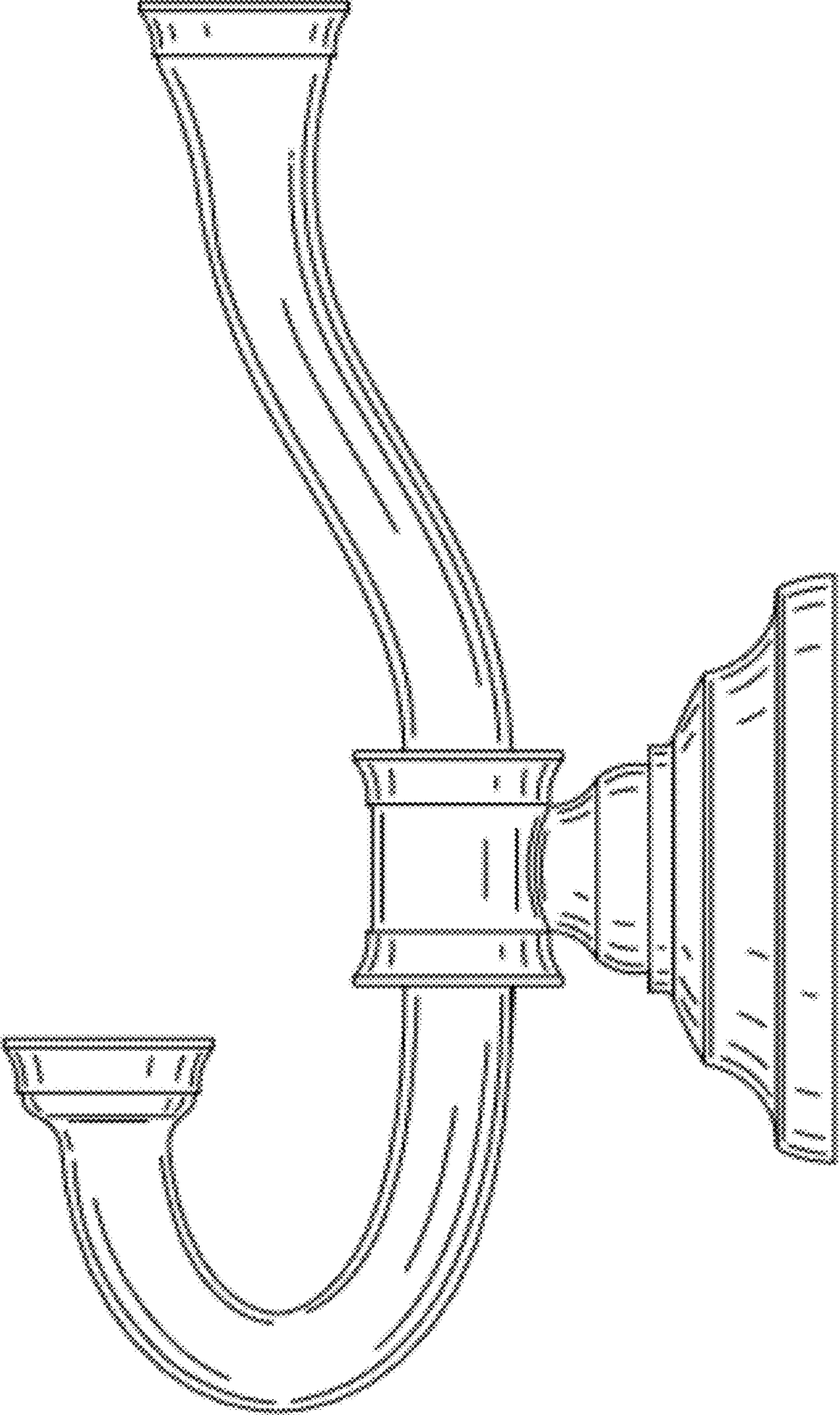


FIG. 6

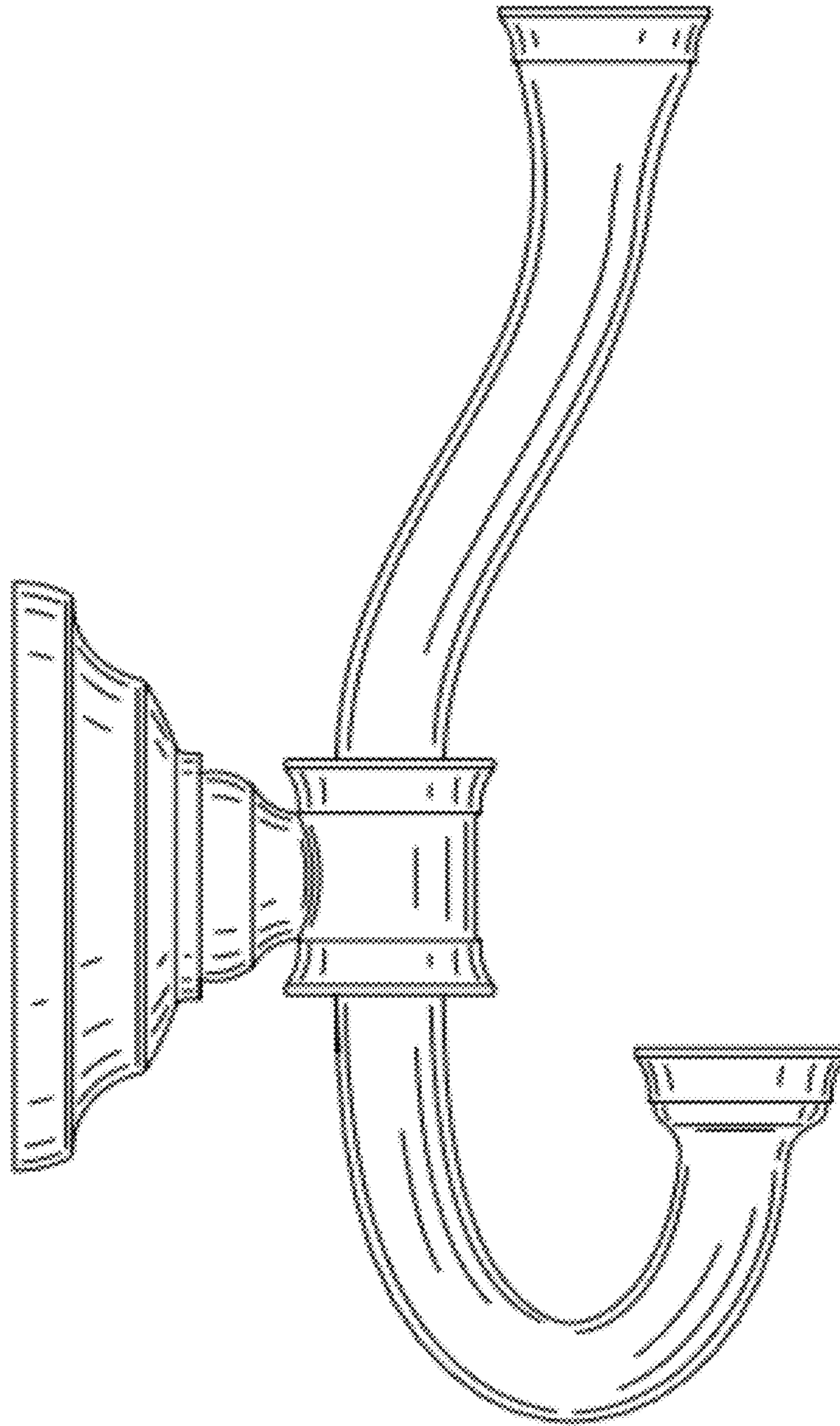


FIG. 7