



US00D672973S

(12) **United States Design Patent**
Klein

(10) **Patent No.:** **US D672,973 S**

(45) **Date of Patent:** **** Dec. 25, 2012**

(54) **CLIP-ON MIRROR**

(76) Inventor: **Thomas P. Klein**, Apopka, FL (US)

(**) Term: **14 Years**

(21) Appl. No.: **29/423,357**

(22) Filed: **May 31, 2012**

(51) **LOC (9) Cl.** **06-03**

(52) **U.S. Cl.** **D6/300**

(58) **Field of Classification Search** D6/300-314;
359/865; D12/191; D21/501; D19/700;
132/297

See application file for complete search history.

(56) **References Cited**

U.S. PATENT DOCUMENTS

4,105,183	A	8/1978	Clark
4,826,306	A	5/1989	Grissen et al.
D305,808	S	1/1990	Eisenbraun et al.
4,890,908	A	1/1990	Casey
4,906,088	A	3/1990	Casey
5,386,322	A	1/1995	Parsons
D370,786	S	6/1996	Eisenbraun
5,913,317	A	6/1999	Tiram

6,138,688	A	*	10/2000	Lombardi, Jr.	132/297
D498,446	S		11/2004	Bradley	
D653,041	S	*	1/2012	Henry et al.	D6/300
8,157,394	B1		4/2012	Downing	
D658,898	S	*	5/2012	DiNello et al.	D6/300

* cited by examiner

Primary Examiner — Philip S Hyder

Assistant Examiner — Sydney Buffalow

(74) *Attorney, Agent, or Firm* — William M. Hobby, III

(57) **CLAIM**

The ornamental design for a clip-on mirror, as shown and described.

DESCRIPTION

FIG. 1 is a top and right side perspective view of my new clip-on mirror;

FIG. 2 is a front elevation;

FIG. 3 is a rear elevation;

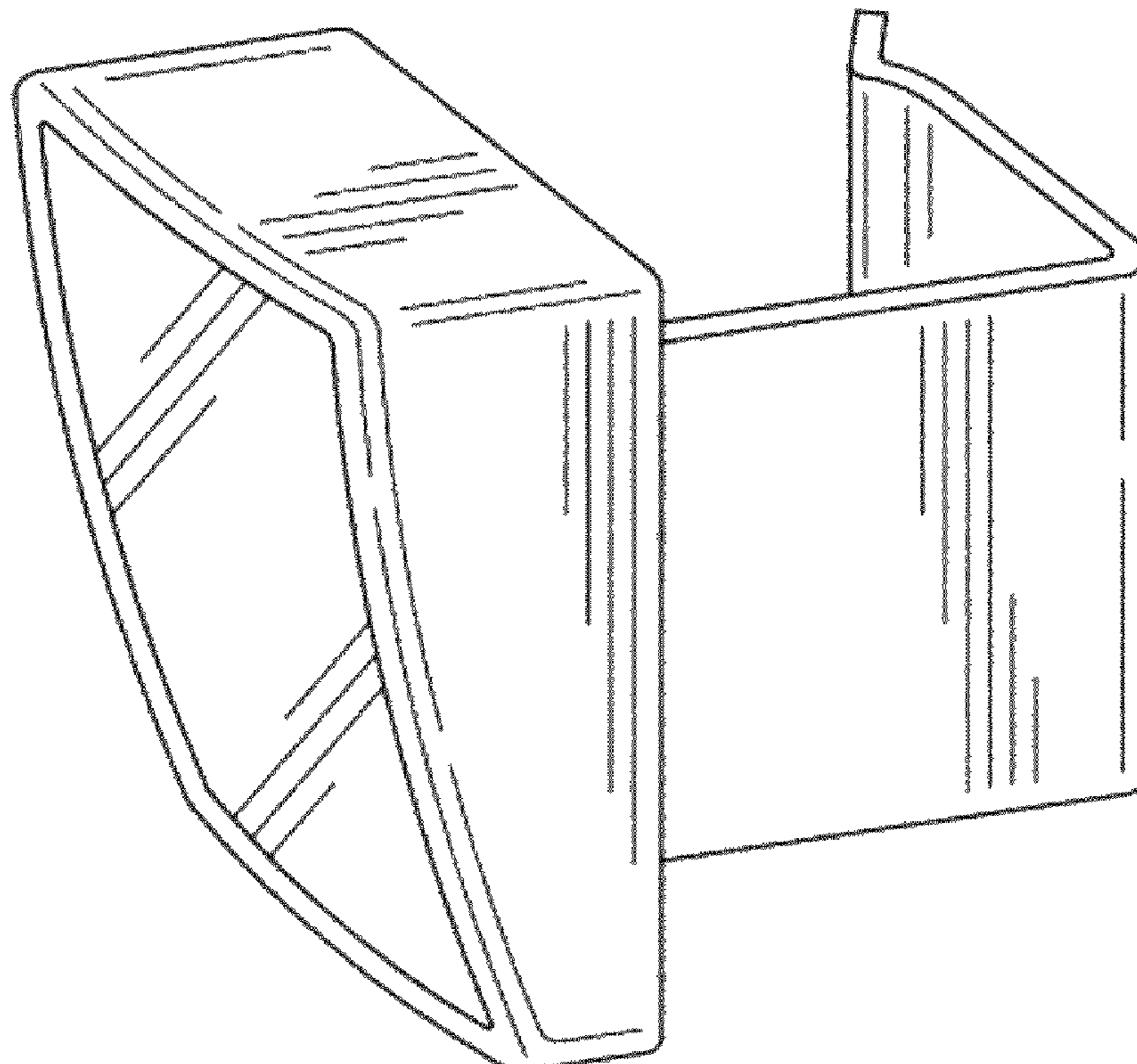
FIG. 4 is a right side elevation thereof;

FIG. 5 is a left side elevation thereof;

FIG. 6 is a top plan view thereof; and,

FIG. 7 is a bottom plan view thereof.

1 Claim, 2 Drawing Sheets



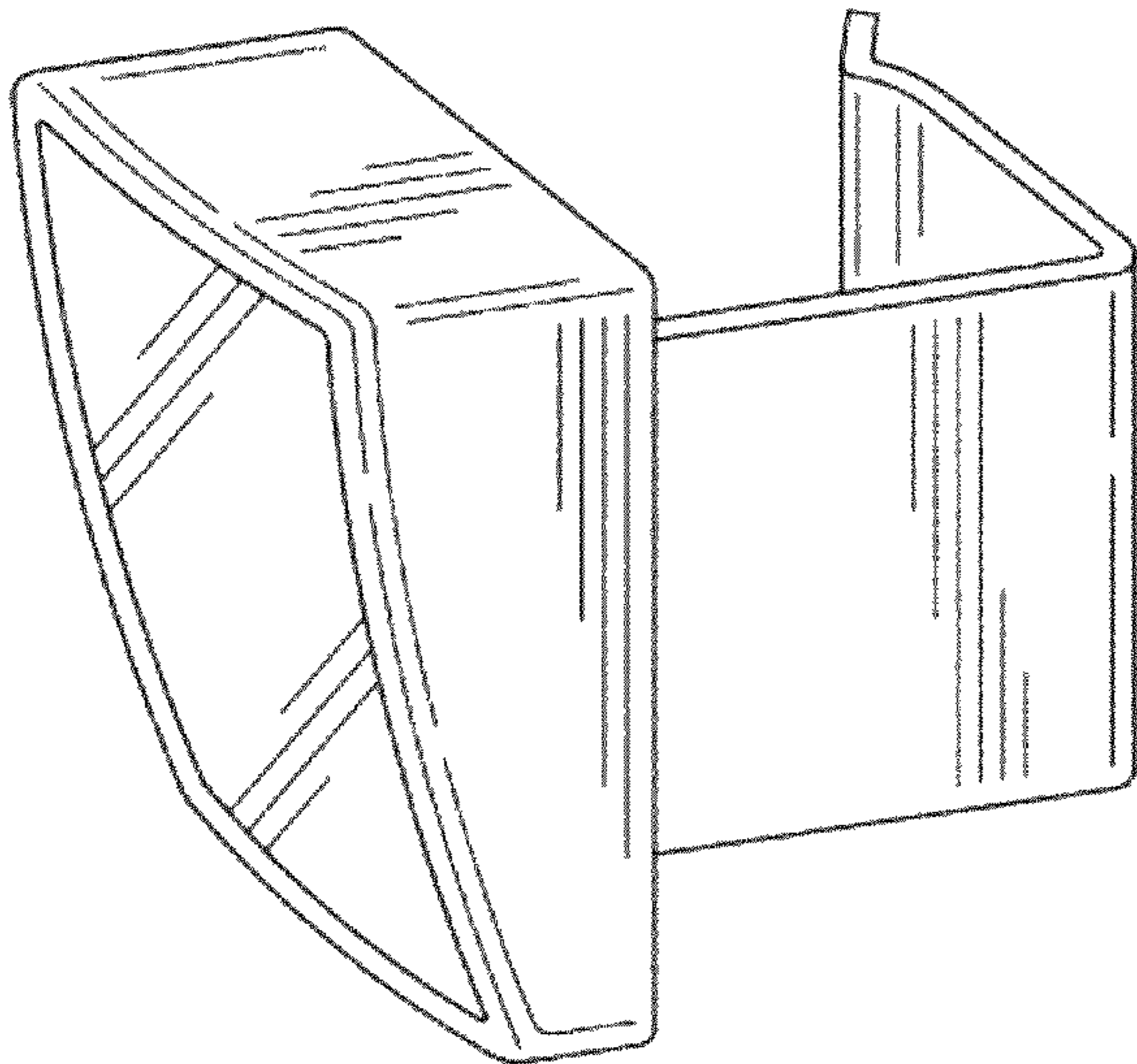


FIG. 1

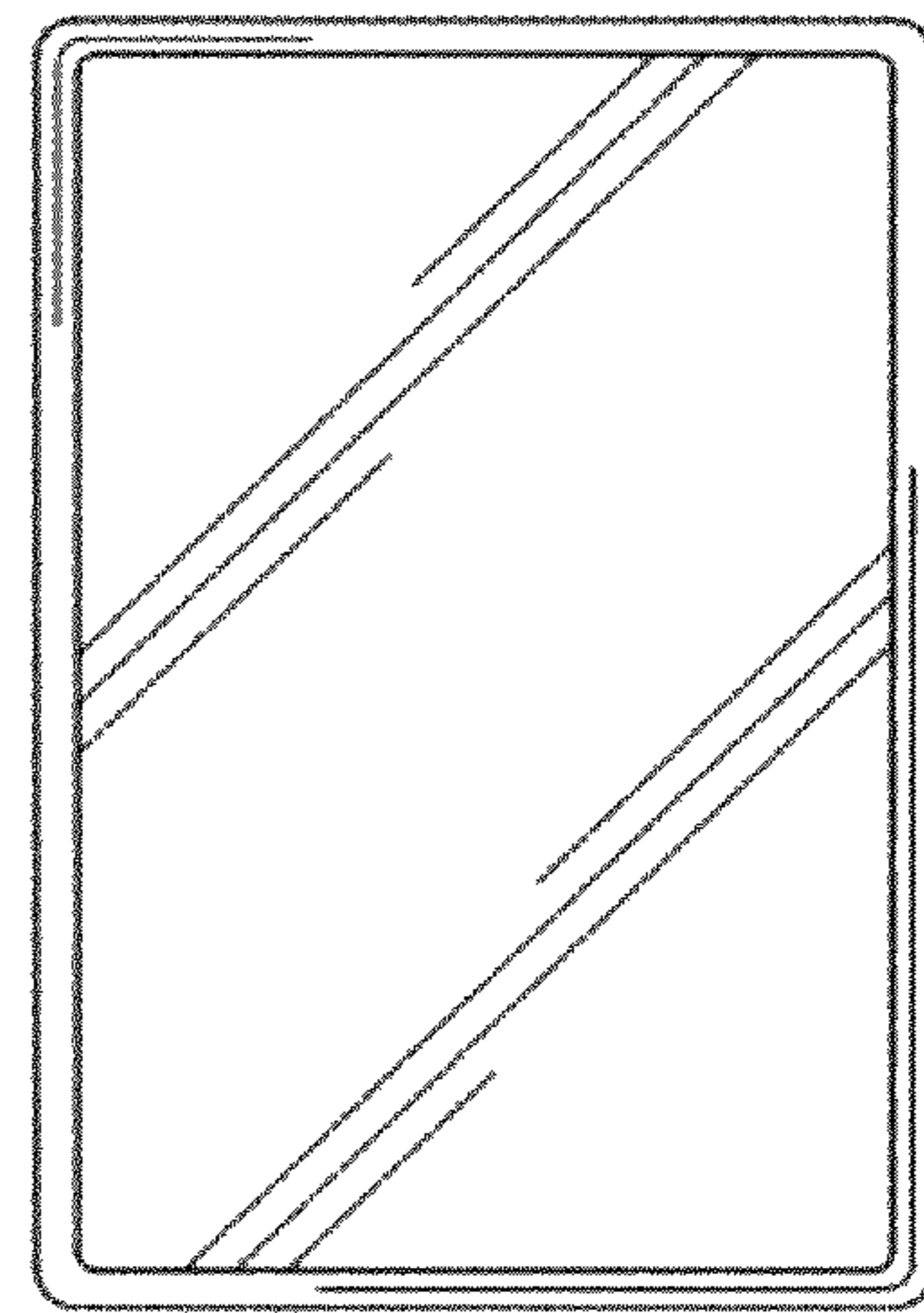


FIG. 2



FIG. 3

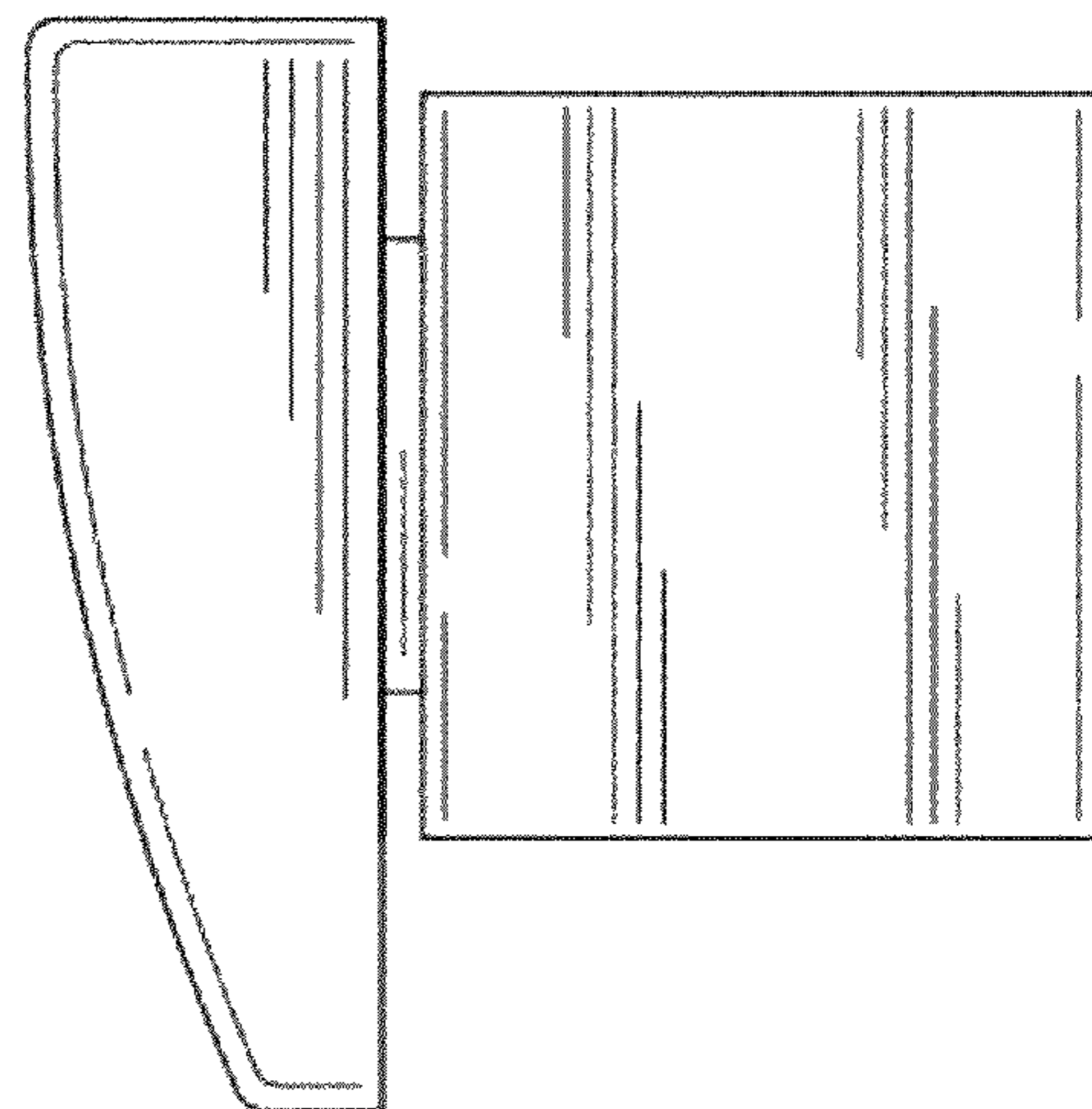


FIG. 4

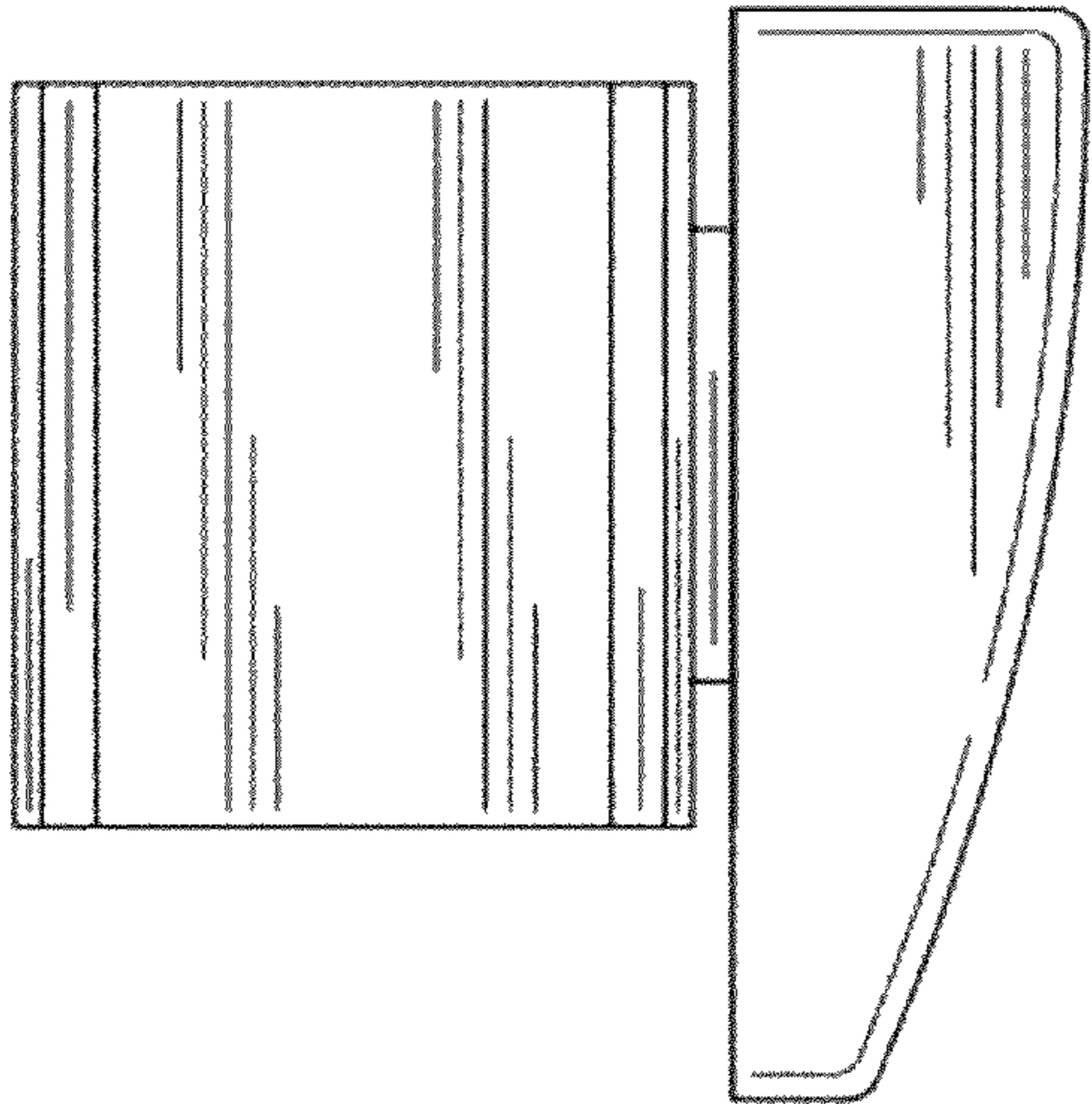


FIG. 5

FIG. 6

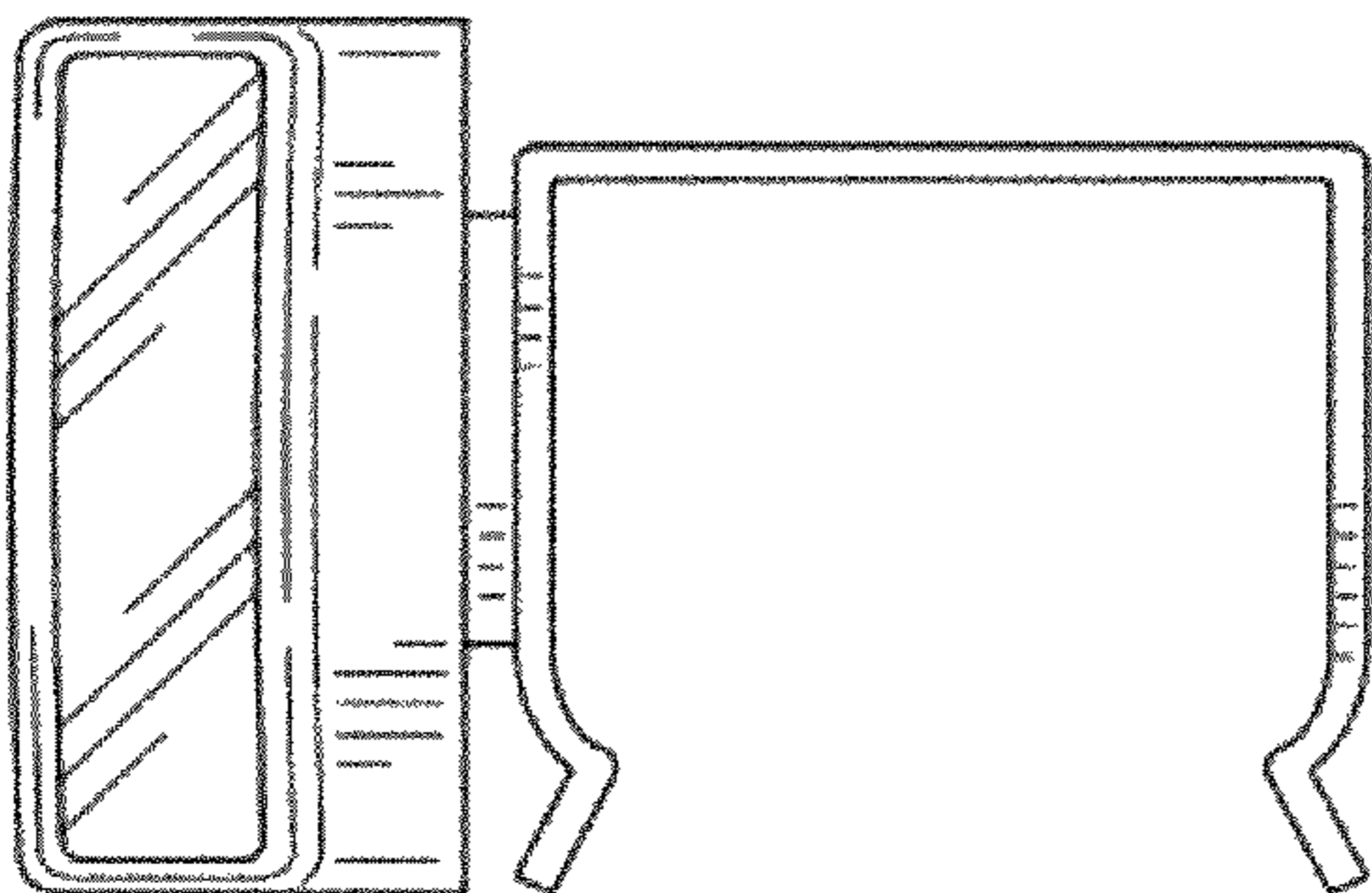
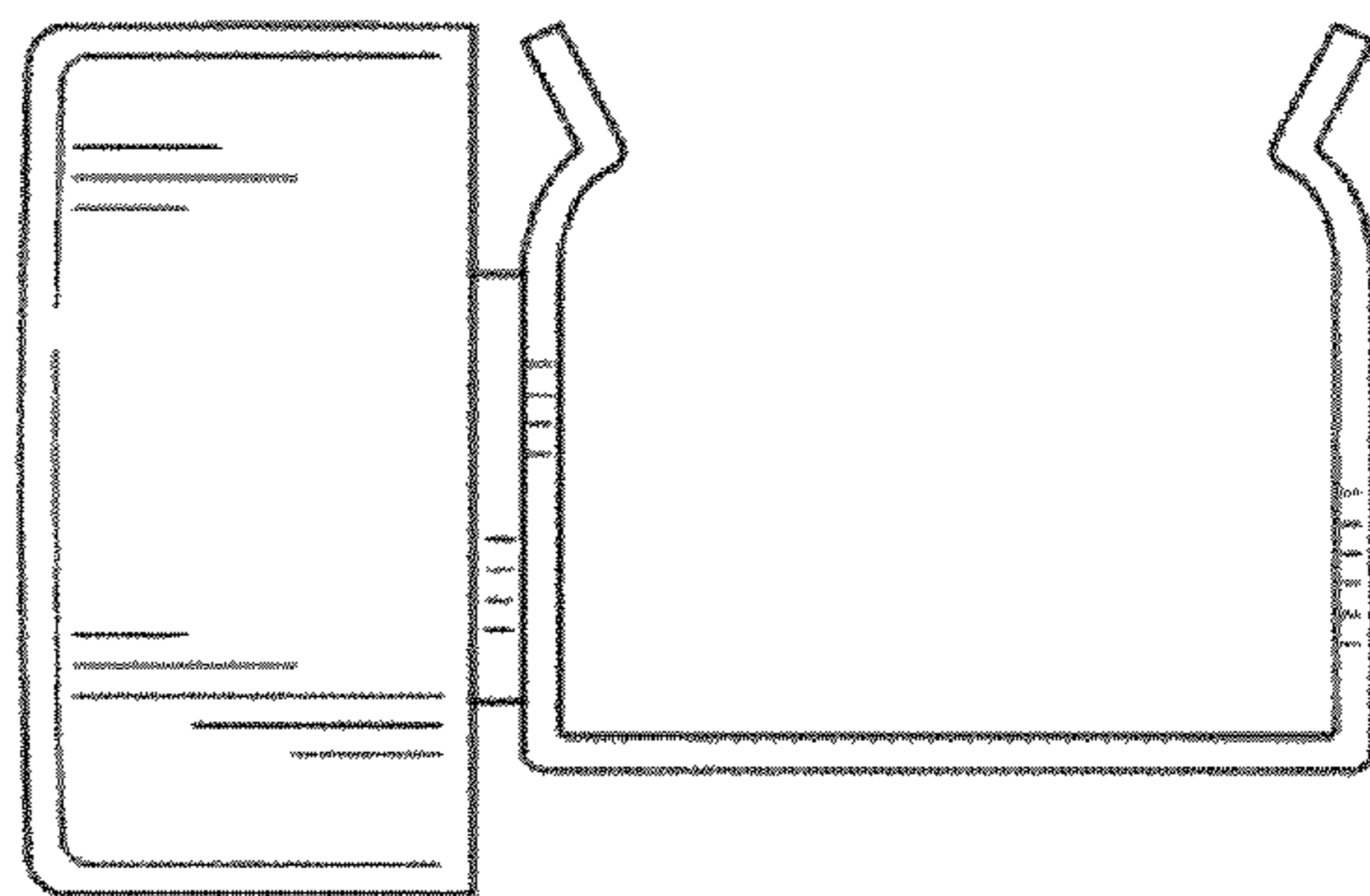


FIG. 7