



US00D672972S

(12) **United States Design Patent**  
**Beyer, Jr. et al.**

(10) **Patent No.:** **US D672,972 S**

(45) **Date of Patent:** **\*\* Dec. 25, 2012**

(54) **FRAME**

(76) Inventors: **Charles Edward Beyer, Jr.**, Columbus, OH (US); **Kristina Kowatsch-Beyer**, Columbus, OH (US)

(\*\*) Term: **14 Years**

(21) Appl. No.: **29/394,394**

(22) Filed: **Jun. 16, 2011**

(51) **LOC (9) Cl.** ..... **06-07**

(52) **U.S. Cl.** ..... **D6/300**

(58) **Field of Classification Search** ..... D6/300-314,  
D6/444; 400/700-702, 714, 746, 747, 768,  
400/777, 778, 779, 782-784, 757; D11/131;  
D14/448, 371

See application file for complete search history.

(56) **References Cited**

**U.S. PATENT DOCUMENTS**

D115,418 S *	6/1939	Mueller	.....	D20/10
D123,125 S *	10/1940	Holstien et al.	.....	D9/415
D144,886 S *	6/1946	Bair	.....	D20/39
D185,737 S *	7/1959	Cook	.....	D20/10
D290,378 S *	6/1987	Anderson	.....	D20/10

D466,943 S *	12/2002	Schaub	.....	D20/10
D562,407 S *	2/2008	Graziani	.....	D20/41
D567,869 S *	4/2008	Petot	.....	D20/10
D615,576 S *	5/2010	Takahashi et al.	.....	D16/241
D656,197 S *	3/2012	Gross et al.	.....	D20/10

\* cited by examiner

*Primary Examiner* — Philip S Hyder

*Assistant Examiner* — Sydney Buffalow

(74) *Attorney, Agent, or Firm* — Ronald J. Koch

(57) **CLAIM**

The ornamental design for an frame, as shown and described.

**DESCRIPTION**

FIG. 1 is a front view of a frame showing our new design;  
FIG. 2 is a right side view thereof;  
FIG. 3 is a top view thereof;  
FIG. 4 is another front view thereof (identical to FIG. 1);  
FIG. 5 is a left side view thereof;  
FIG. 6 is a bottom view thereof;  
FIG. 7 is a rear view thereof;  
FIG. 8 is a perspective-front view thereof; and,  
FIG. 9 is a perspective-rear view.

**1 Claim, 5 Drawing Sheets**

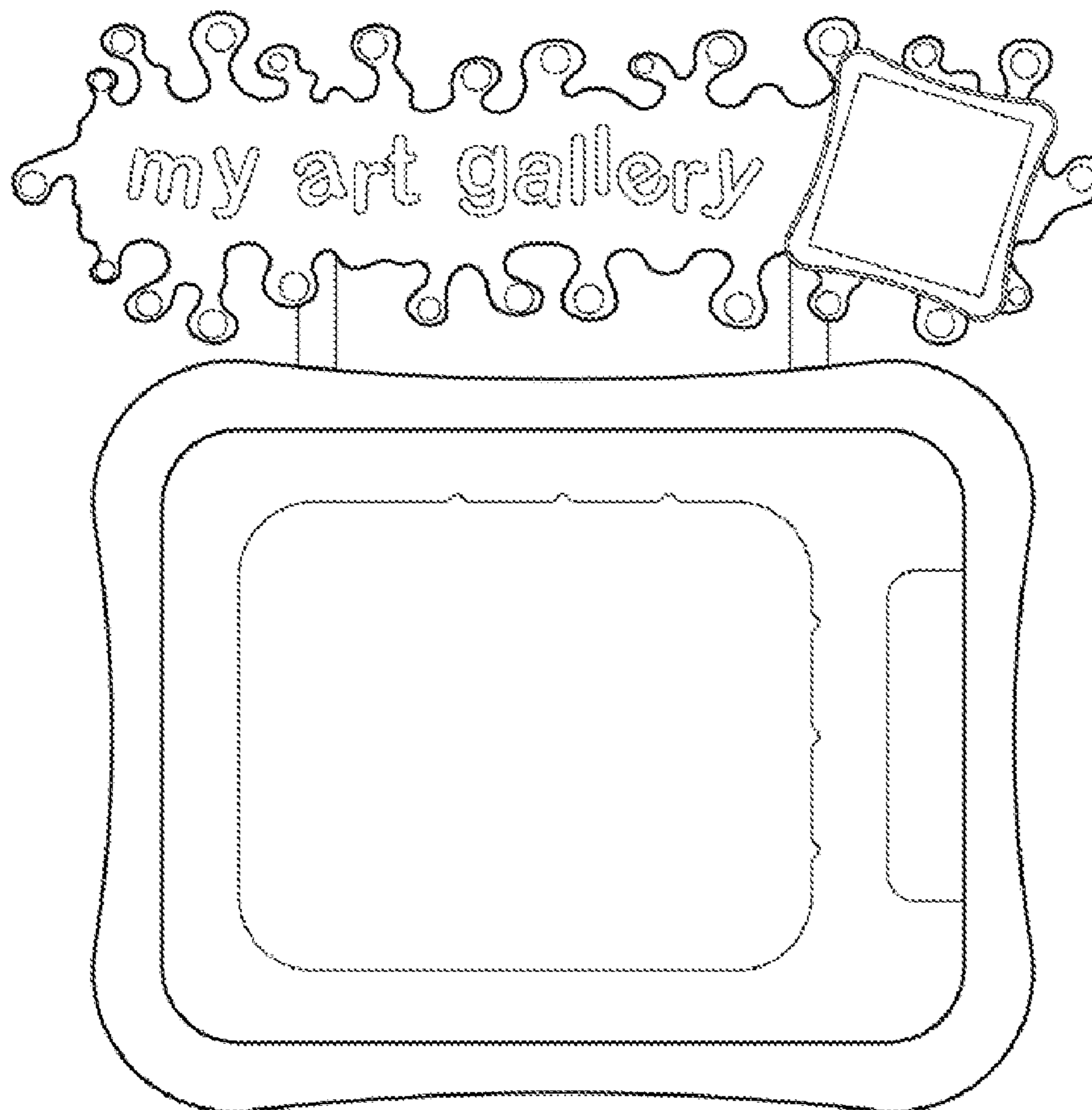


FIG. 3

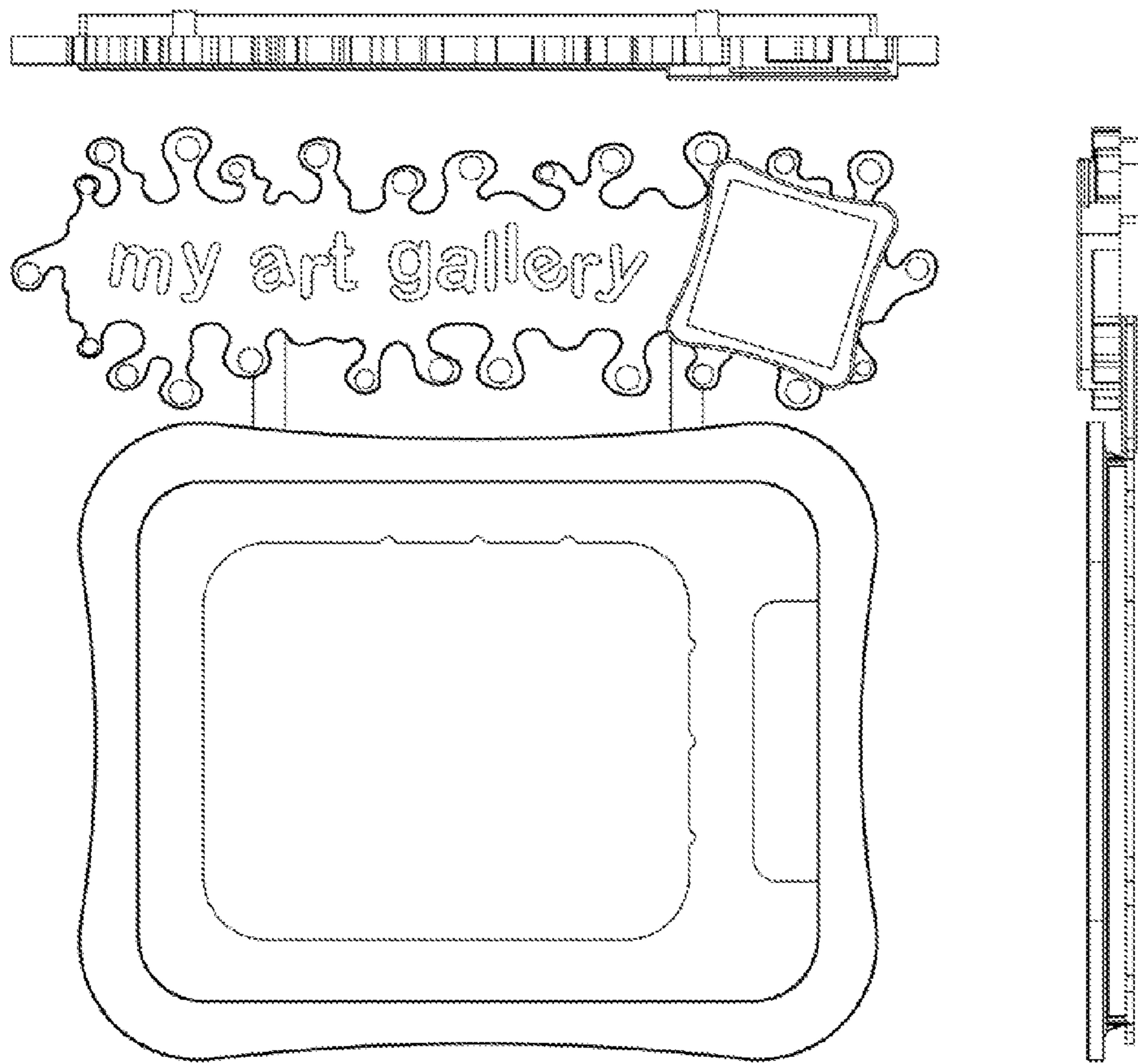


FIG. 1

FIG. 2

FIG. 5

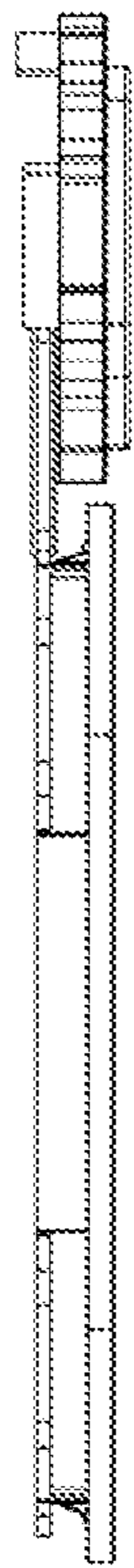


FIG. 4

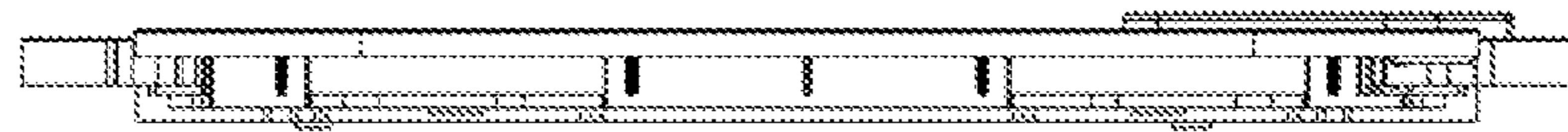
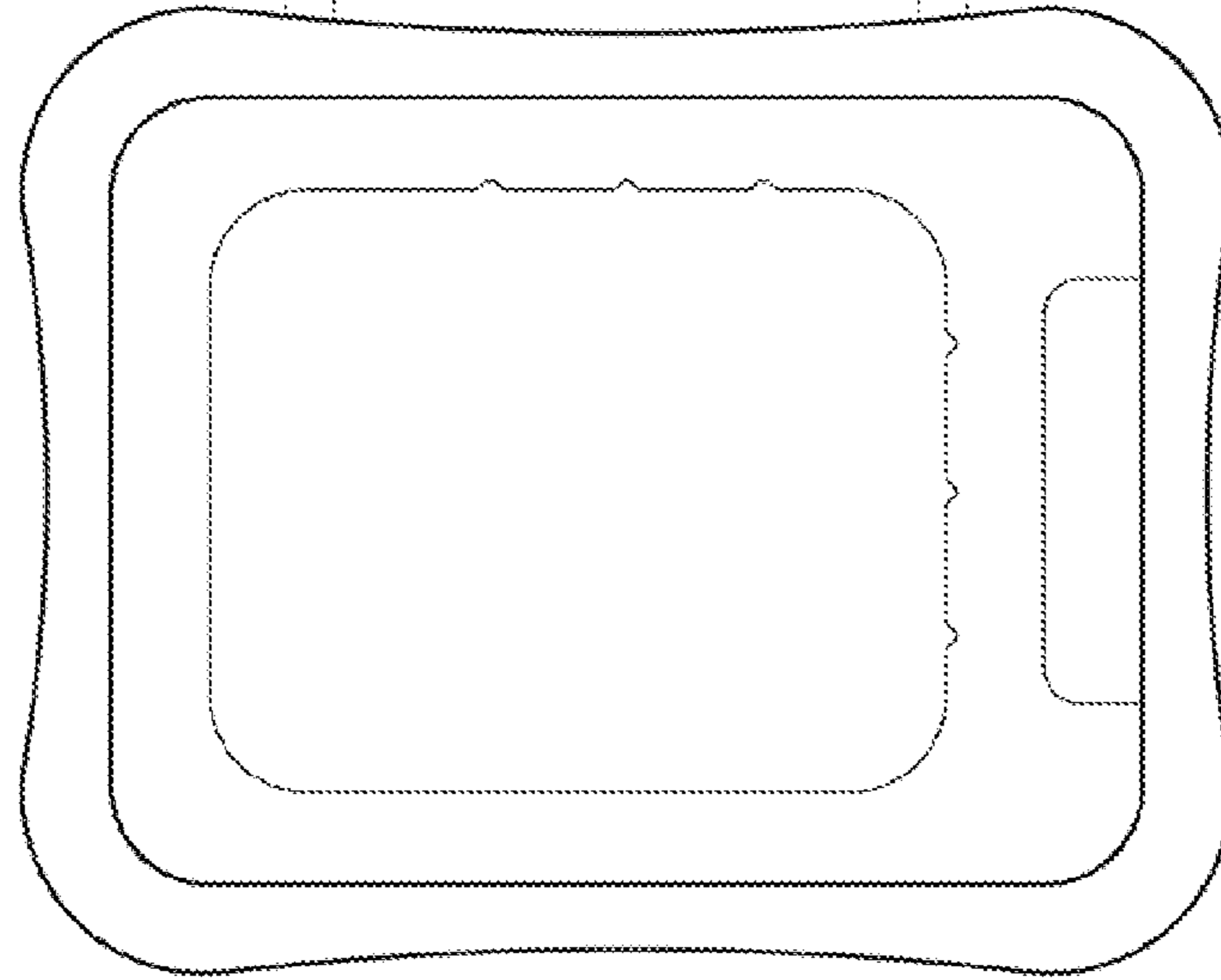


FIG. 6

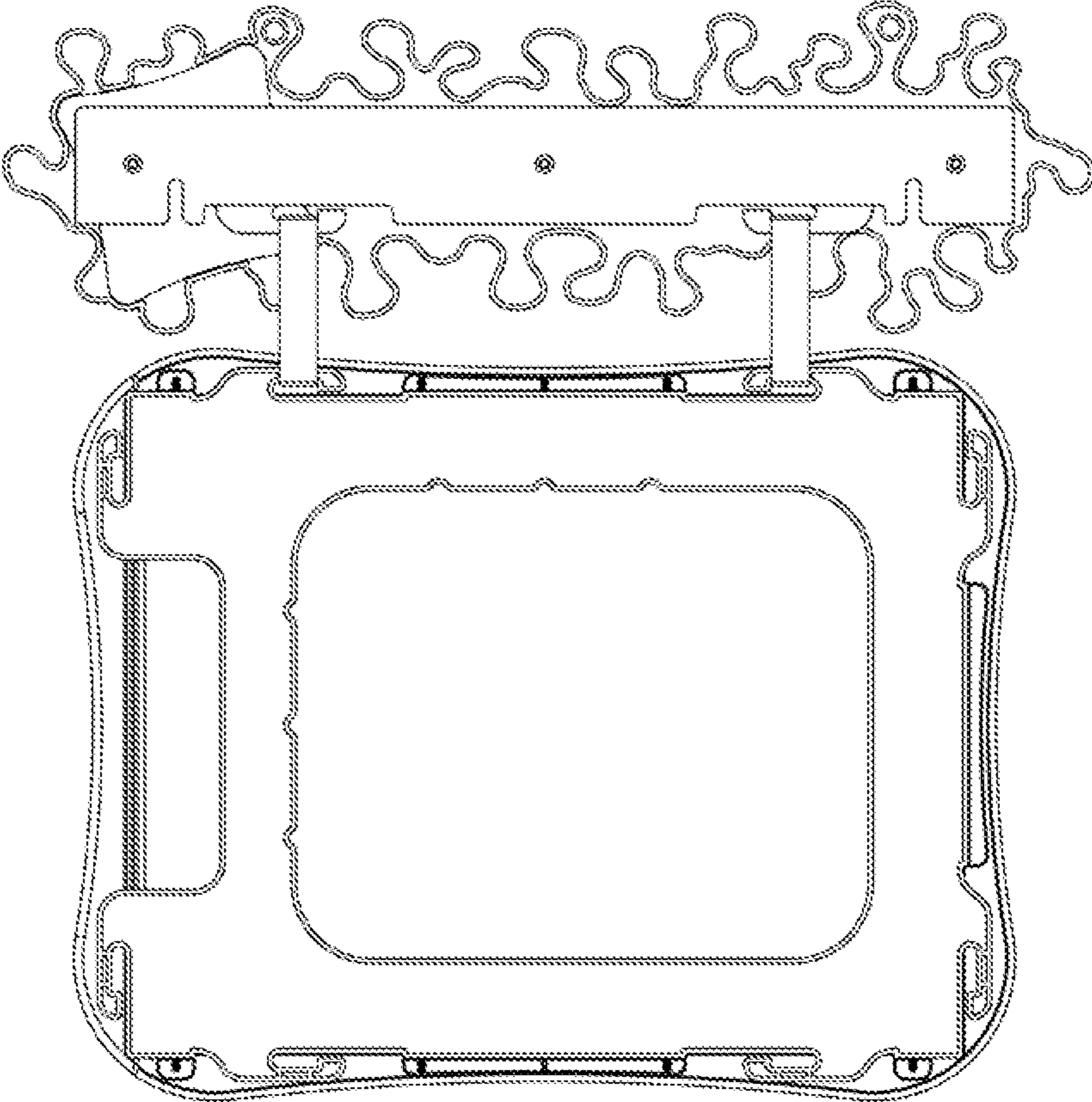


FIG. 7



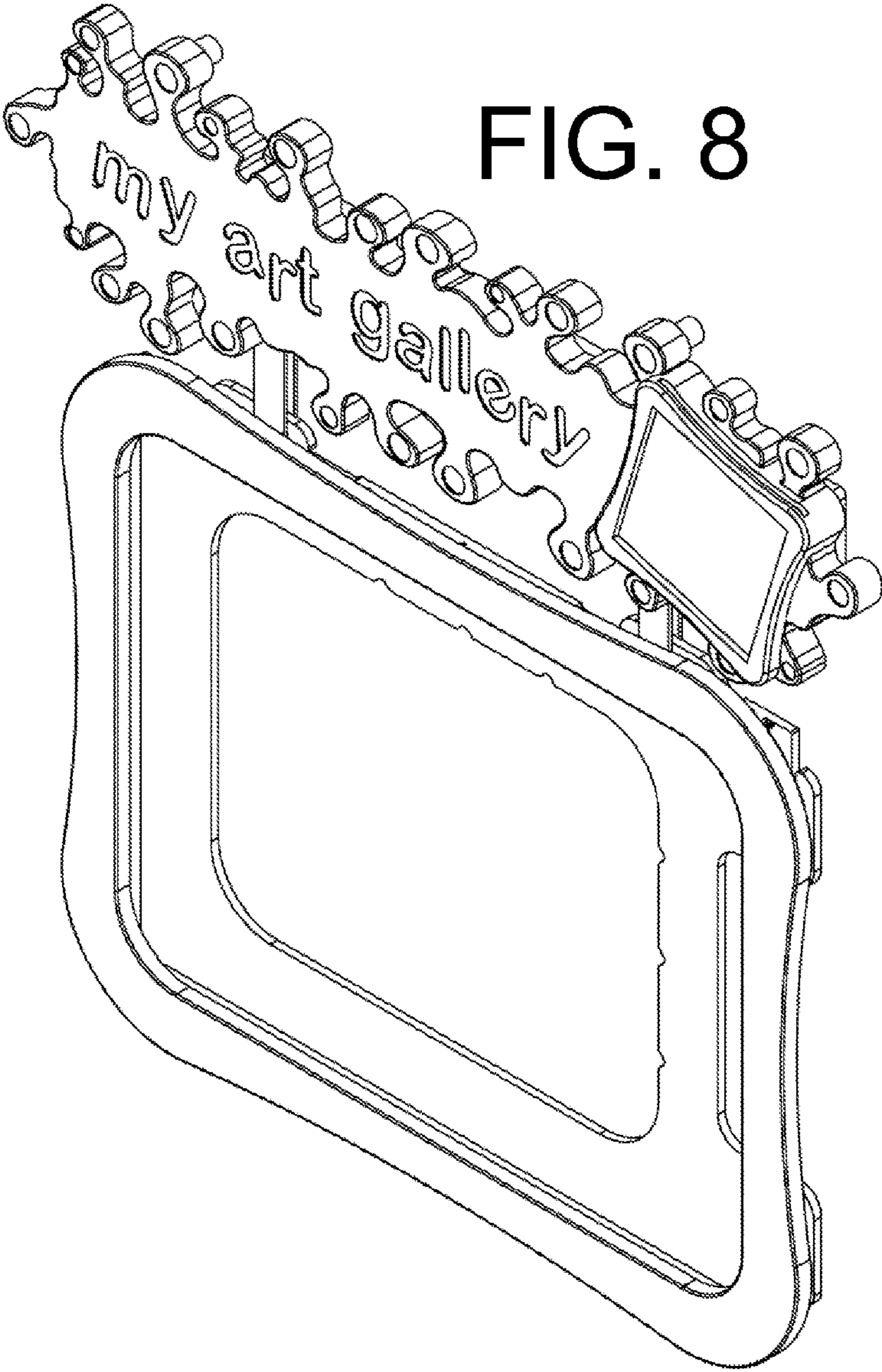


FIG. 8

FIG. 9

