

US00D672958S

(12) **United States Design Patent**
Denzinger

(10) **Patent No.:** **US D672,958 S**

(45) **Date of Patent:** **** Dec. 25, 2012**

(54) **LAPTOP CASE**

(75) Inventor: **Benjamin J. Denzinger**, Los Angeles,
CA (US)

(73) Assignee: **SunCoast Merchandise Corp.**,
Commerce, CA (US)

(**) Term: **14 Years**

(21) Appl. No.: **29/395,756**

(22) Filed: **Mar. 27, 2012**

(51) **LOC (9) Cl.** **03-01**

(52) **U.S. Cl.** **D3/289; D3/900**

(58) **Field of Classification Search** D3/273,
D3/276, 289, 290, 288, 299, 300, 301, 303,
D3/900, 232, 242, 243-246; 190/100, 124-127,
190/900-903; 206/320; 383/97
See application file for complete search history.

(56) **References Cited**

U.S. PATENT DOCUMENTS

D577,912 S *	10/2008	Sween et al.	D3/282
D584,770 S *	1/2009	Bizzell	D19/26
D586,555 S *	2/2009	Lown et al.	D3/246
D591,508 S *	5/2009	Lown et al.	D3/301

D607,051 S *	12/2009	Bizzell	D19/26
7,909,161 B2 *	3/2011	Sween et al.	206/320
2006/0278052 A1 *	12/2006	Kuo	82/127

* cited by examiner

Primary Examiner — Jennifer Rivard

(74) *Attorney, Agent, or Firm* — Steven E. Shapiro

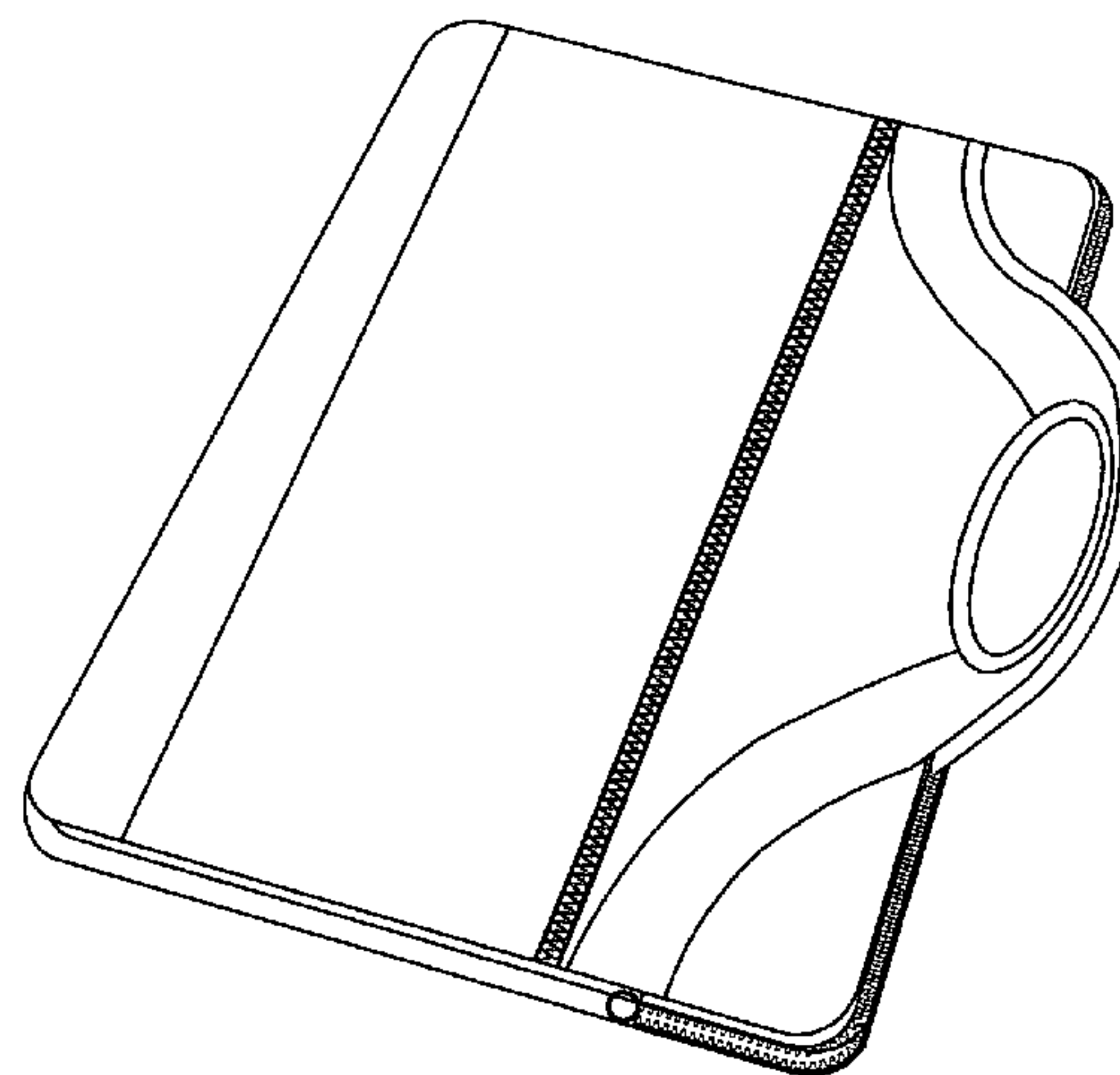
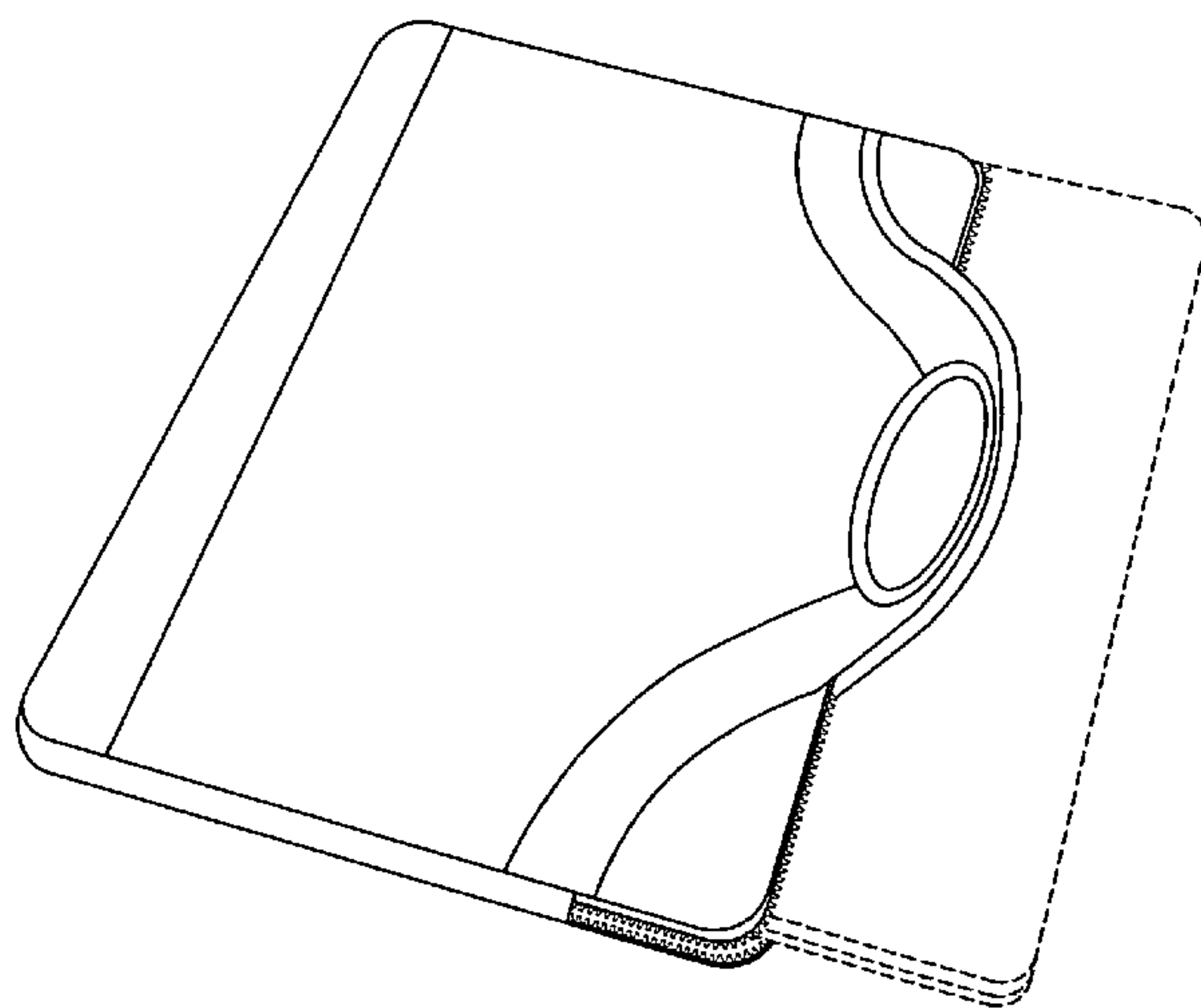
(57) **CLAIM**

The ornamental design for a laptop case, as shown and described.

DESCRIPTION

FIG. 1 is a front perspective view of a laptop case with a laptop computer partially inside;
 FIG. 2 is a rear perspective view of the laptop case with a laptop computer partially inside;
 FIG. 3 is a front view of the laptop case;
 FIG. 4 is a rear view of the laptop case;
 FIG. 5 is a right side view of the laptop case;
 FIG. 6 is a left side view of the laptop case;
 FIG. 7 is a top view of the laptop case;
 FIG. 8 is a bottom view of the laptop case;
 FIG. 9 front perspective view of the laptop case; and,
 FIG. 10 is a rear perspective view of the laptop case.
 The broken lines shown in the drawings illustrate the environment of the article and form no part of the claimed design.

1 Claim, 8 Drawing Sheets



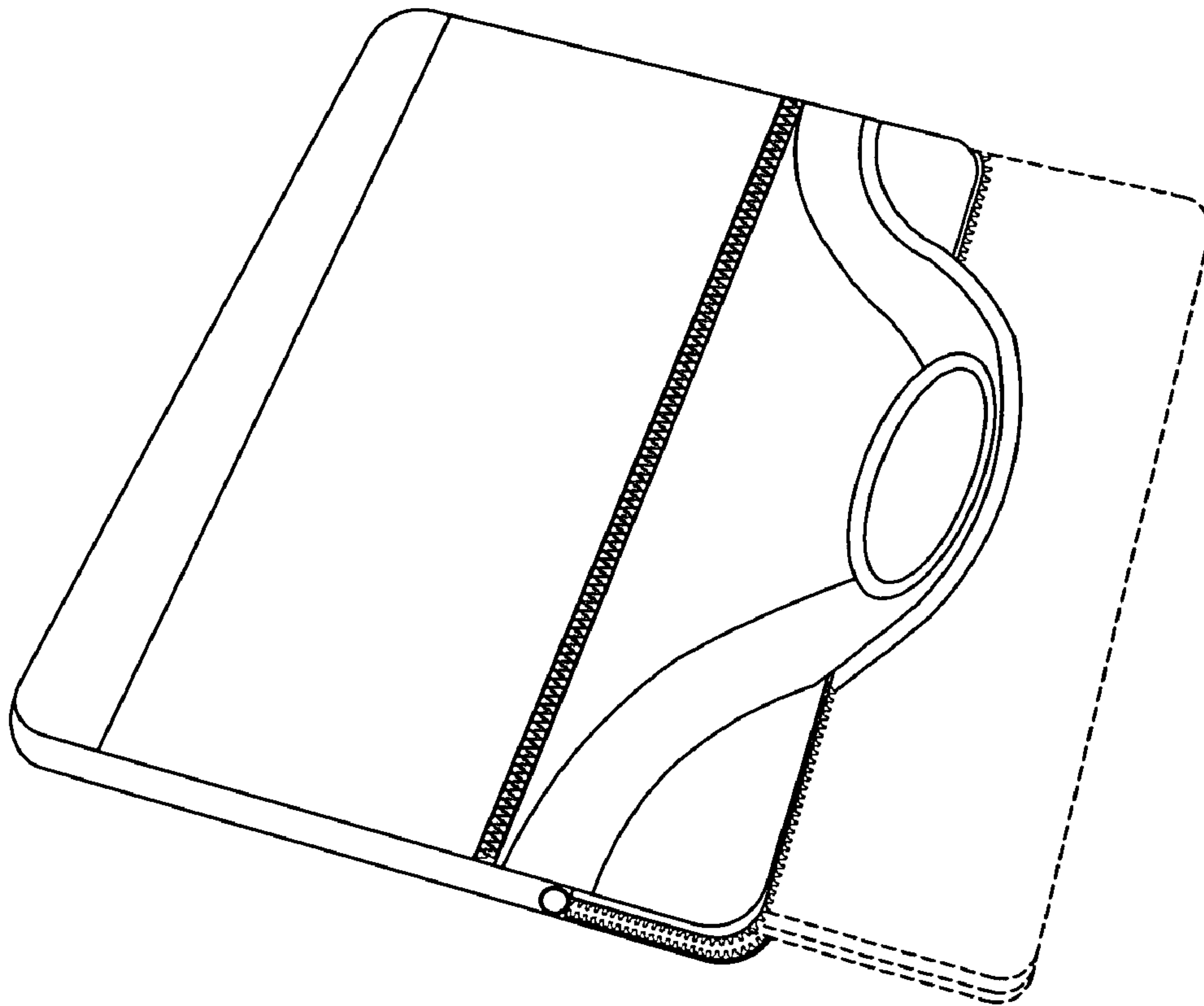


Fig. 1

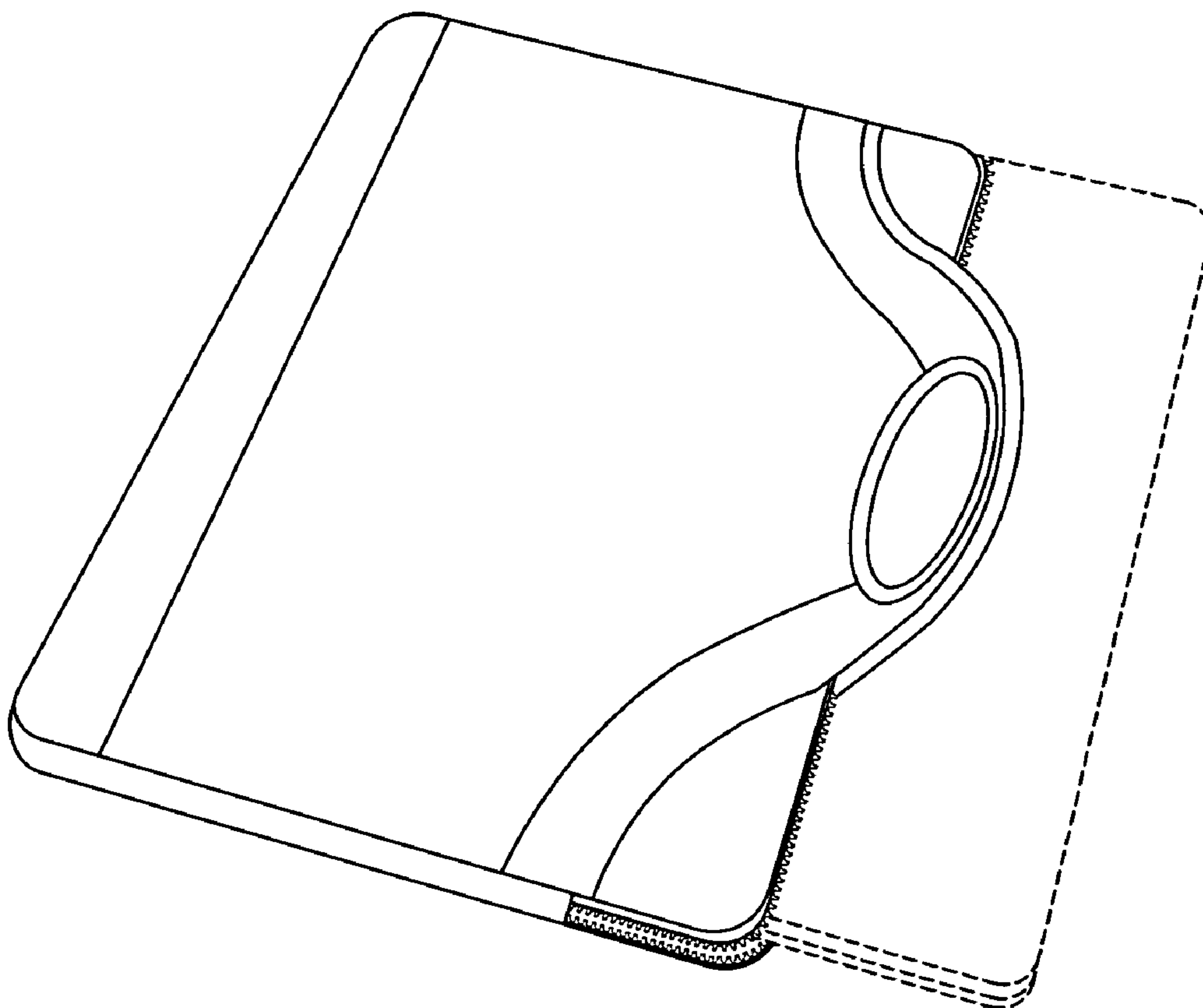


Fig. 2

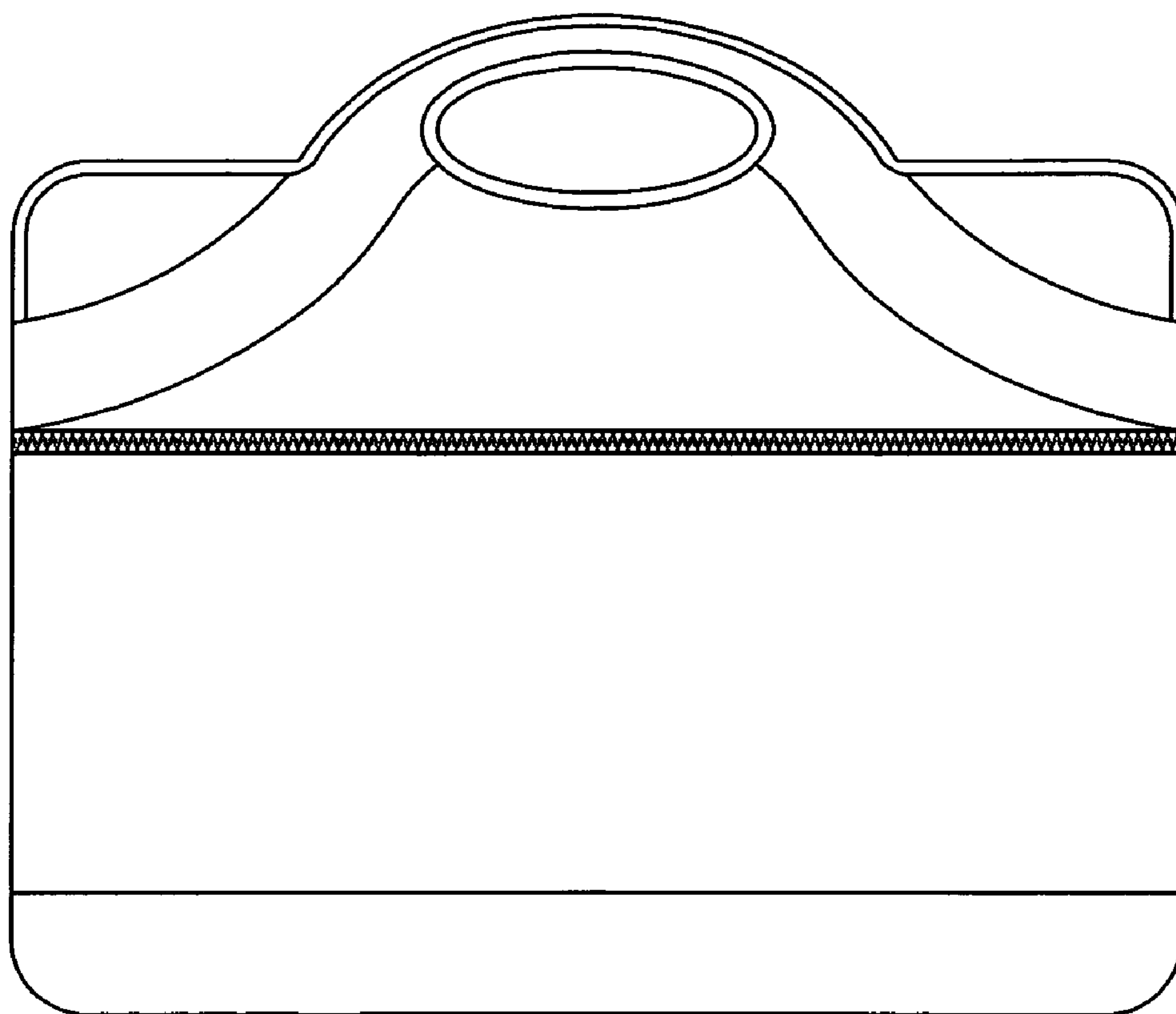


Fig. 3

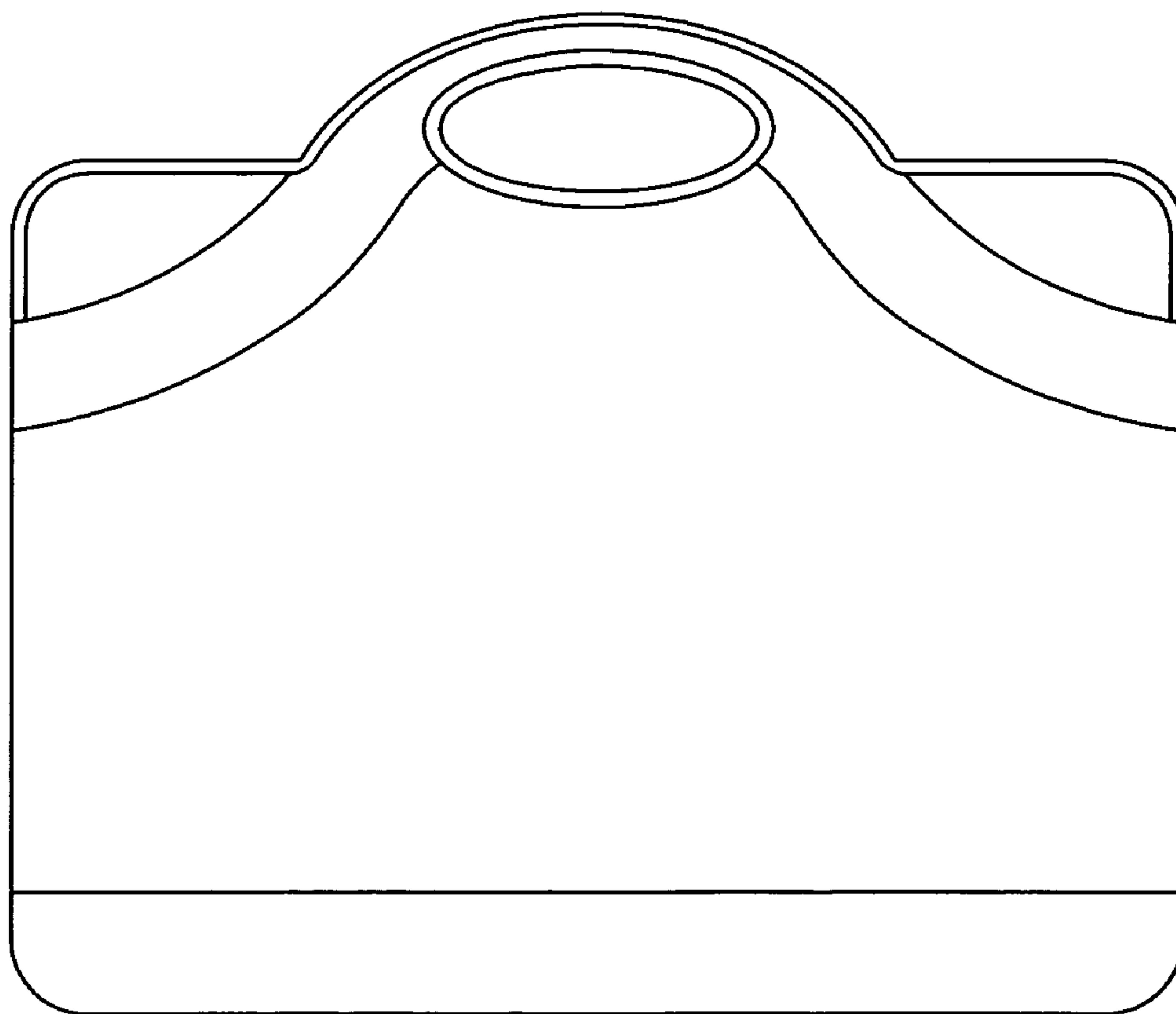


Fig. 4

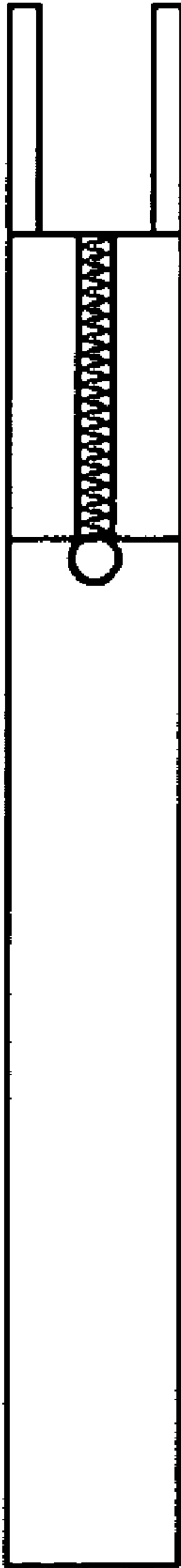


Fig. 5

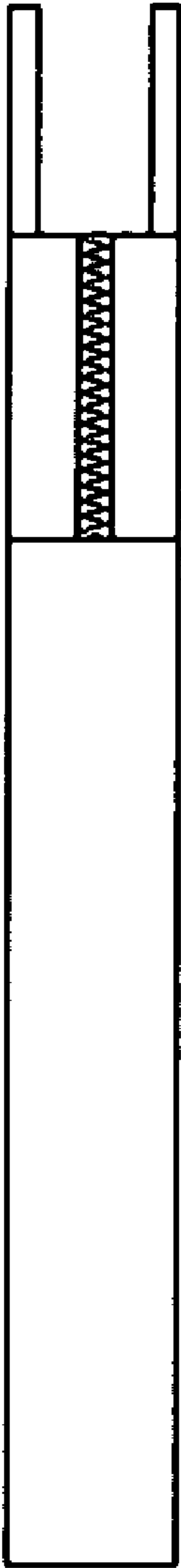


Fig. 6

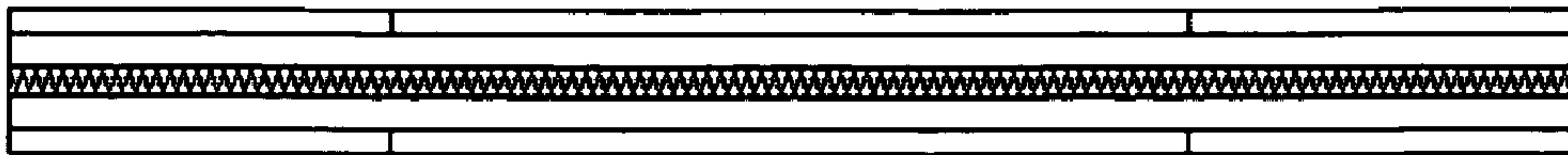


Fig. 7



Fig. 8

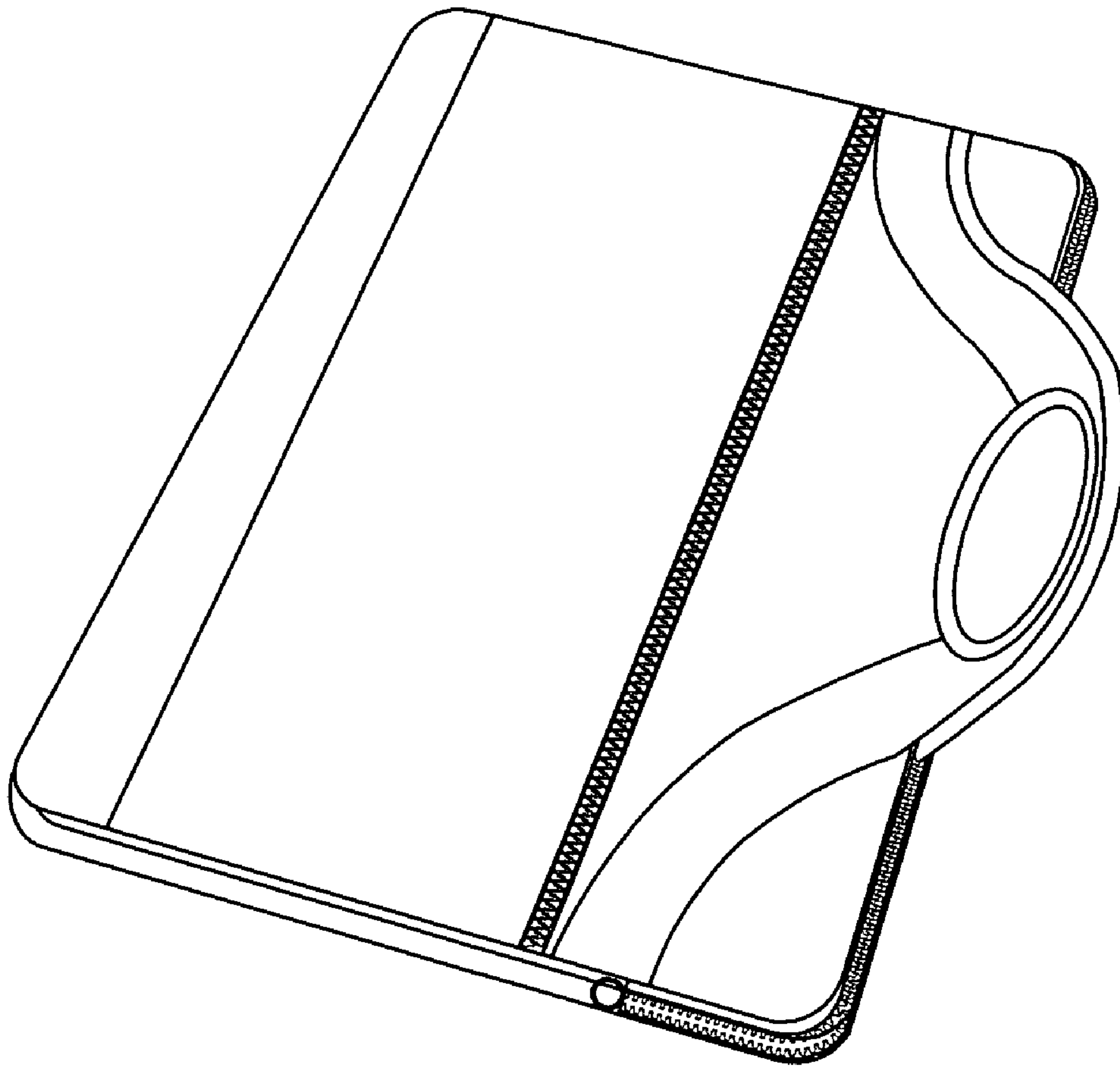


Fig. 9

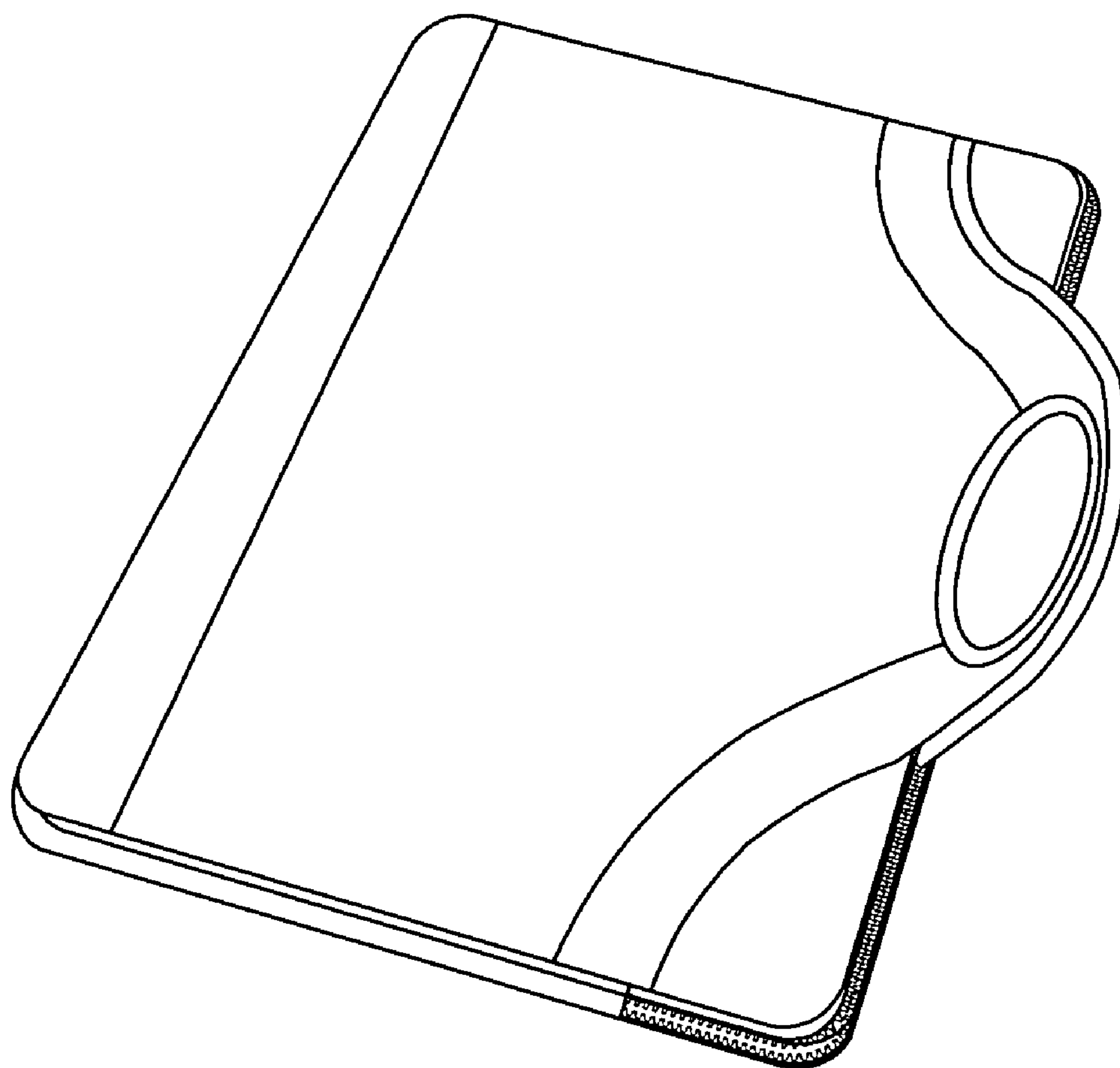


Fig. 10