



US00D672957S

(12) **United States Design Patent**
Christopher

(10) **Patent No.:** **US D672,957 S**
(45) **Date of Patent:** **** Dec. 25, 2012**

(54) **STORAGE CASE FOR A HAND TOOL**

(75) Inventor: **Brent Christopher**, Portland, OR (US)

(73) Assignee: **Meridian International Co., Ltd.** (CN)

(**) Term: **14 Years**

(21) Appl. No.: **29/397,848**

(22) Filed: **Jul. 21, 2011**

Related U.S. Application Data

(62) Division of application No. 29/362,607, filed on May 27, 2010, now Pat. No. Des. 644,901.

(30) **Foreign Application Priority Data**

Mar. 17, 2010 (CN) 2010 3 0120320
Mar. 19, 2010 (CN) 2010 2 0137687
Mar. 19, 2010 (CN) 2010 2 0137698

(51) **LOC (9) Cl.** **03-01**

(52) **U.S. Cl.** **D3/284; D3/905**

(58) **Field of Classification Search** D3/284,
D3/302, 308, 313, 315, 901, 905; D8/71,
D8/82-85; D19/77, 85; 206/349, 372-375,
206/379; D28/38

See application file for complete search history.

(56) **References Cited**

U.S. PATENT DOCUMENTS

1,177,072 A 3/1916 Warman
1,997,128 A * 4/1935 Voss 221/79
2,351,815 A * 6/1944 Jensen 312/73
3,063,551 A * 11/1962 Russell 312/73
D212,315 S * 9/1968 Taylor D3/308
3,489,289 A * 1/1970 Scott-Fenton 211/78
3,727,771 A * 4/1973 Hoffman 211/69
D227,316 S * 6/1973 MacKenzie D28/38
D229,997 S * 1/1974 Hoffman D6/457
3,879,041 A * 4/1975 Hester 273/282.1
D255,771 S * 7/1980 Cruz D8/71
D259,141 S * 5/1981 Oliver D24/230

4,305,511 A * 12/1981 Denholtz 211/70
D279,385 S * 6/1985 Lieberman D19/77
D290,853 S * 7/1987 Appel D19/85
D290,854 S * 7/1987 Appel D19/85
4,682,688 A 7/1987 Budert
D293,235 S * 12/1987 Loof D13/157
D298,264 S * 10/1988 Wang D19/85
4,899,877 A 2/1990 Kiernan
4,924,733 A 5/1990 McKenzie
5,009,336 A * 4/1991 Liaw 211/69.1
D325,934 S * 5/1992 Ramljak D19/85
5,174,178 A 12/1992 Distton, Jr.
5,279,417 A 1/1994 Seaton
5,606,897 A 3/1997 Quinn
D382,998 S * 9/1997 Conigliaro D3/313

(Continued)

OTHER PUBLICATIONS

Jul. 9, 2010 USPTO Office Action from related U.S. Appl. No. 12/605,600.

(Continued)

Primary Examiner — Philip S Hyder

Assistant Examiner — Roselyne Ulm Cody

(74) *Attorney, Agent, or Firm* — Jason R. Sytsma;
Shuttleworth & Ingersoll, PLC

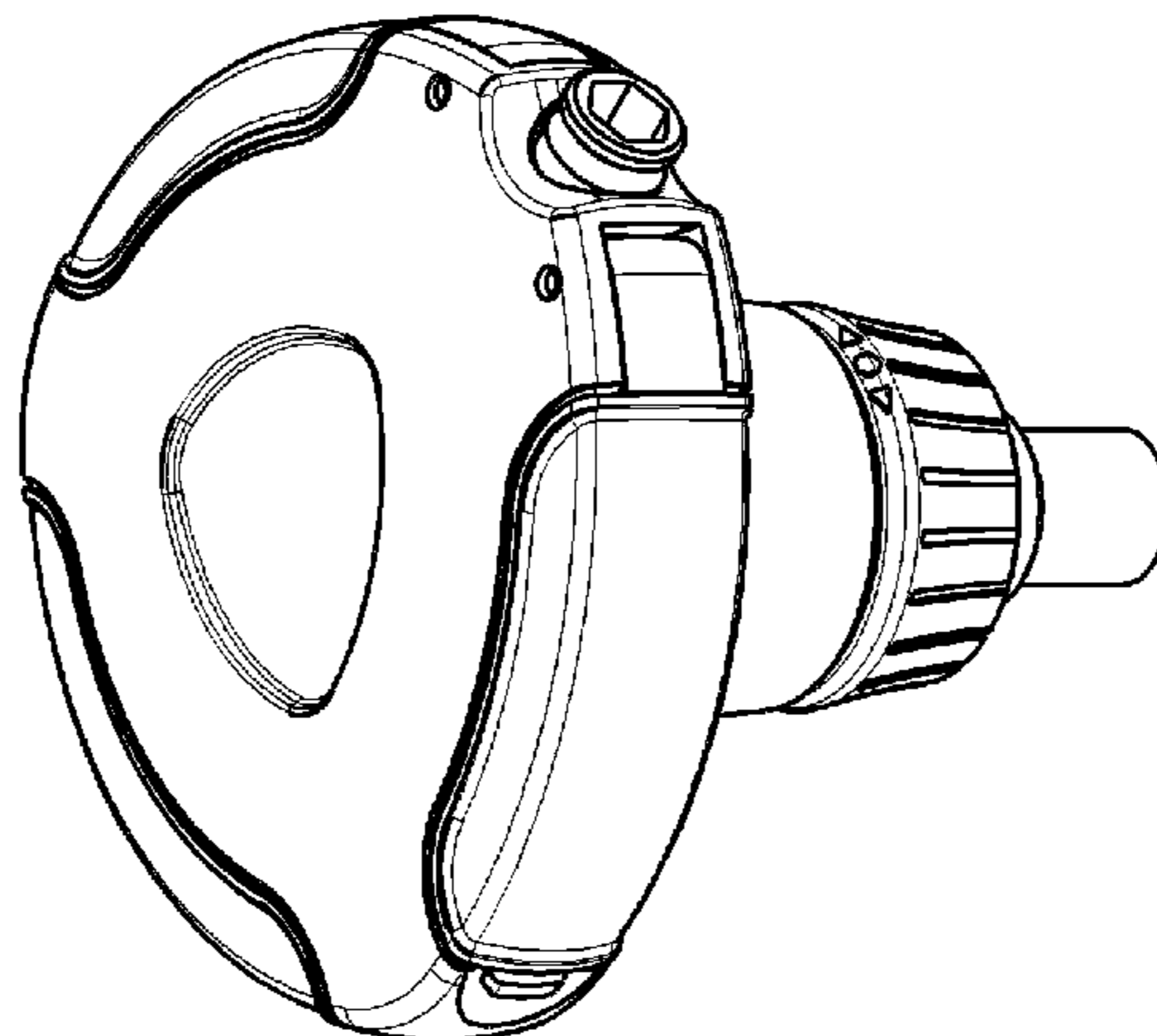
(57) **CLAIM**

The ornamental design for a storage case for a hand tool, as shown and described.

DESCRIPTION

FIG. 1 is a perspective view of a storage case for a hand tool, showing my new design;
FIG. 2 is a back-side view thereof;
FIG. 3 is a right-side view thereof;
FIG. 4 is a top view thereof;
FIG. 5 is a left-side view thereof; and,
FIG. 6 is a front-side view thereof.
The broken lines in the drawings are directed to environment and form no part of the claim.

1 Claim, 6 Drawing Sheets



U.S. PATENT DOCUMENTS

5,740,706 A 4/1998 Tseng
 5,743,395 A 4/1998 Backer
 5,816,401 A 10/1998 Vasudeva et al.
 5,899,329 A 5/1999 Hu
 5,918,741 A 7/1999 Vasudeva
 6,079,298 A 6/2000 Gasperi et al.
 6,105,768 A * 8/2000 Brown 206/373
 D432,885 S * 10/2000 Budert D8/71
 6,237,451 B1 5/2001 Wei
 6,457,916 B2 10/2002 Wienhold
 6,464,840 B1 10/2002 McCann
 6,561,523 B1 5/2003 Weinhold
 6,685,018 B1 2/2004 Chuan
 D507,602 S * 7/2005 Siegel D19/85
 D552,881 S * 10/2007 Rittmann D6/469
 D559,464 S * 1/2008 Singh D28/73
 D562,558 S * 2/2008 Bryan D3/315
 D566,770 S * 4/2008 Cetera D19/77
 7,374,042 B2 * 5/2008 Liu 206/372
 7,954,649 B1 * 6/2011 Froehlich 211/69
 2002/0020537 A1 2/2002 Shonfeld et al.
 2002/0027092 A1 3/2002 Hu
 2004/0094444 A1 5/2004 Chen
 2004/0251153 A1 12/2004 Chen
 2005/0189250 A1 9/2005 Hsu
 2005/0247587 A1 11/2005 Holland-Letz

2006/0260964 A1 11/2006 Feldmann
 2007/0023307 A1 2/2007 Liu
 2007/0095690 A1 5/2007 Nguy et al.
 2007/0163906 A1 7/2007 Crain
 2007/0228240 A1 10/2007 Kao
 2008/0110302 A1 5/2008 Liu
 2009/0236250 A1 9/2009 Wang
 2009/0242443 A1 10/2009 Chen
 2010/0108552 A1 5/2010 Scrimshaw et al.

OTHER PUBLICATIONS

European Search Report dated Oct. 25, 2010 from counterpart European application.
 Oct. 28, 2010 USPTO Office Action from related U.S. Appl. No. 12/789,158.
 Apr. 18, 2011 USPTO Office Action from related U.S. Appl. No. 12/789,158.
 Mar. 31, 2011 USPTO Office Action from related U.S. Appl. No. 12/605,600.
 Jul. 21, 2011 USPTO Office Action from related U.S. Appl. No. 12/605,600.
 Definition of ratchet from the Merriam-Webster Online Dictionary. <http://www.merriam-webster.com/dictionary/ratchet>. Accessed Jul. 13, 2011.

* cited by examiner

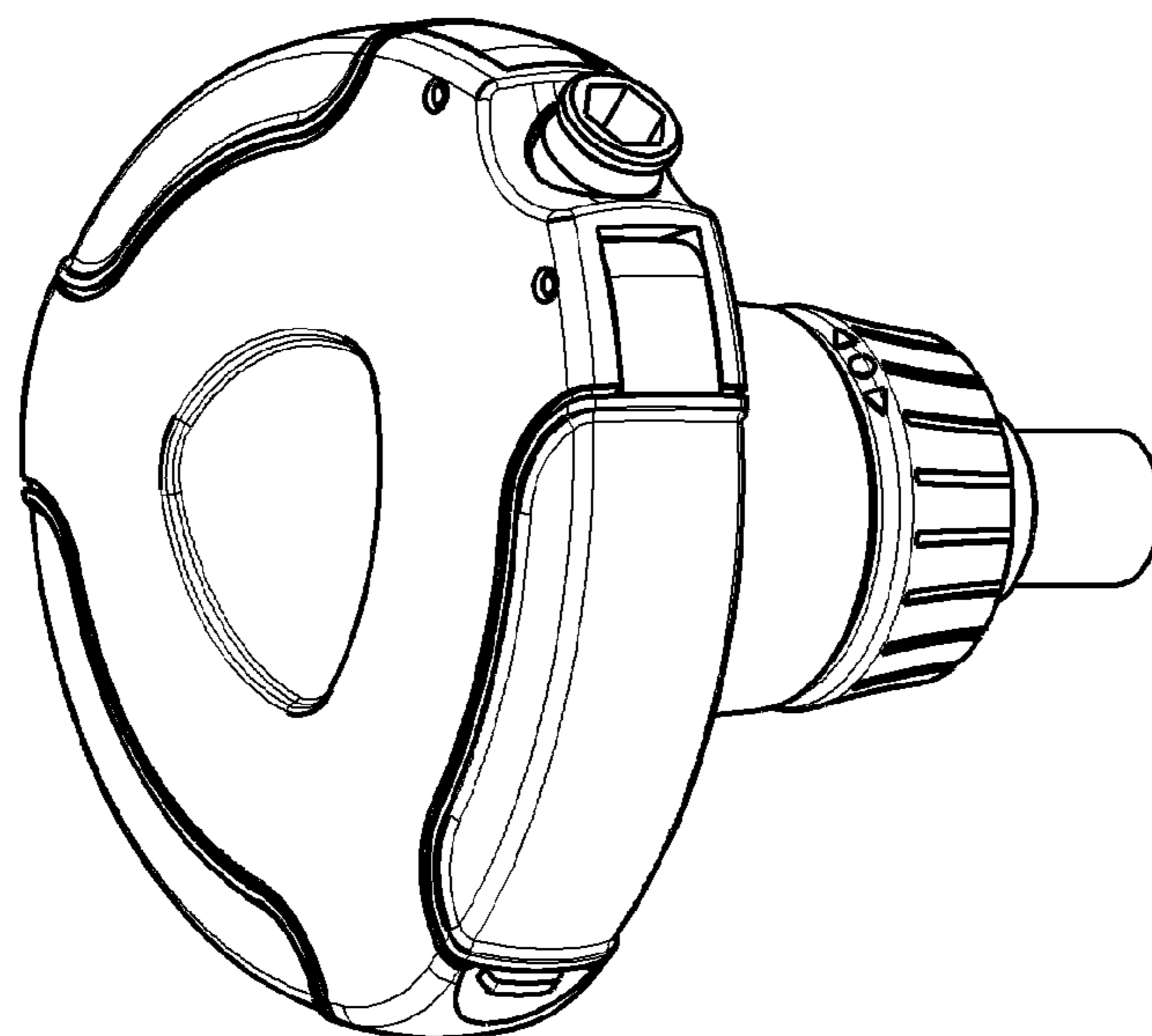


FIG. 1

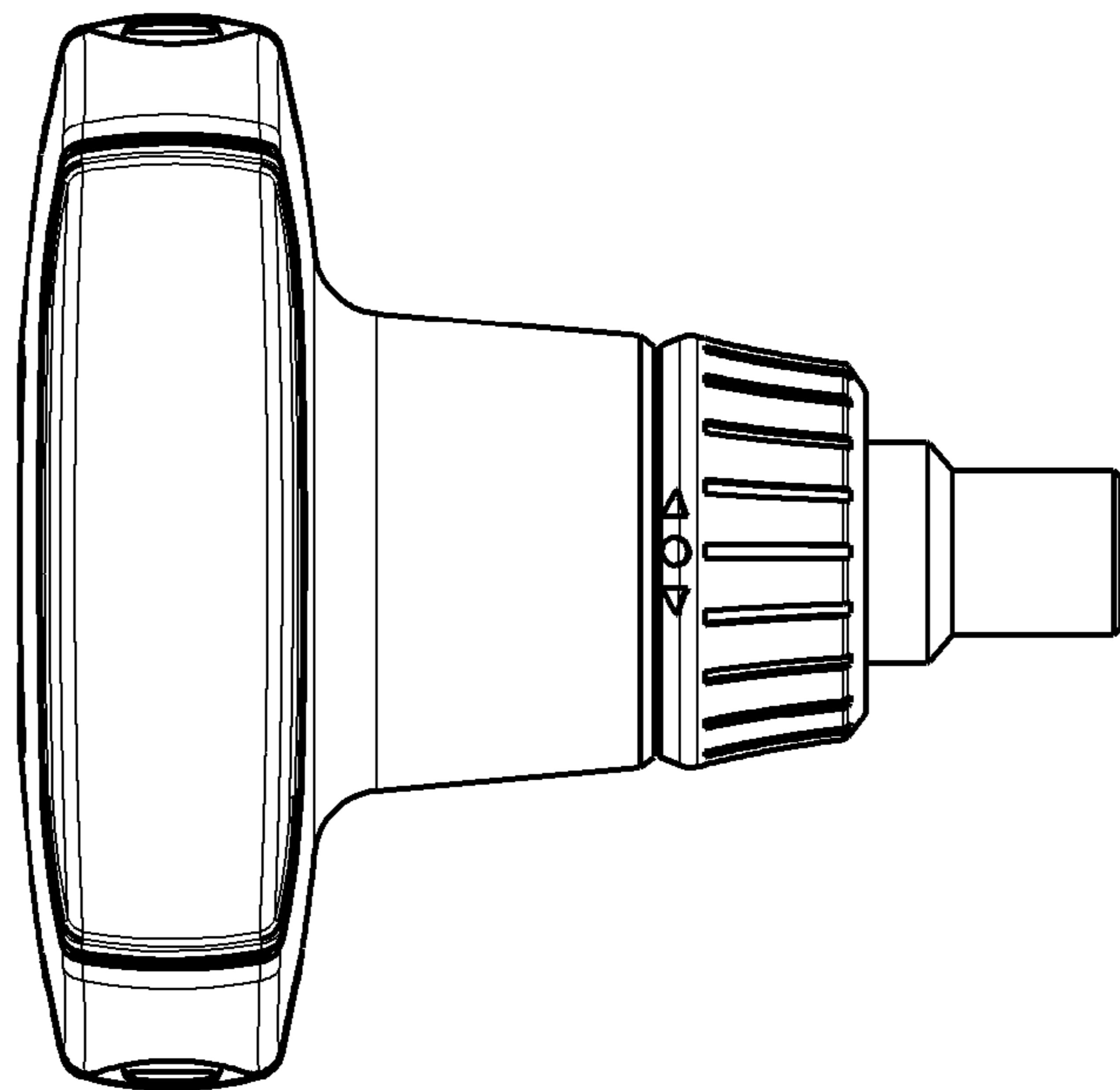


FIG. 2

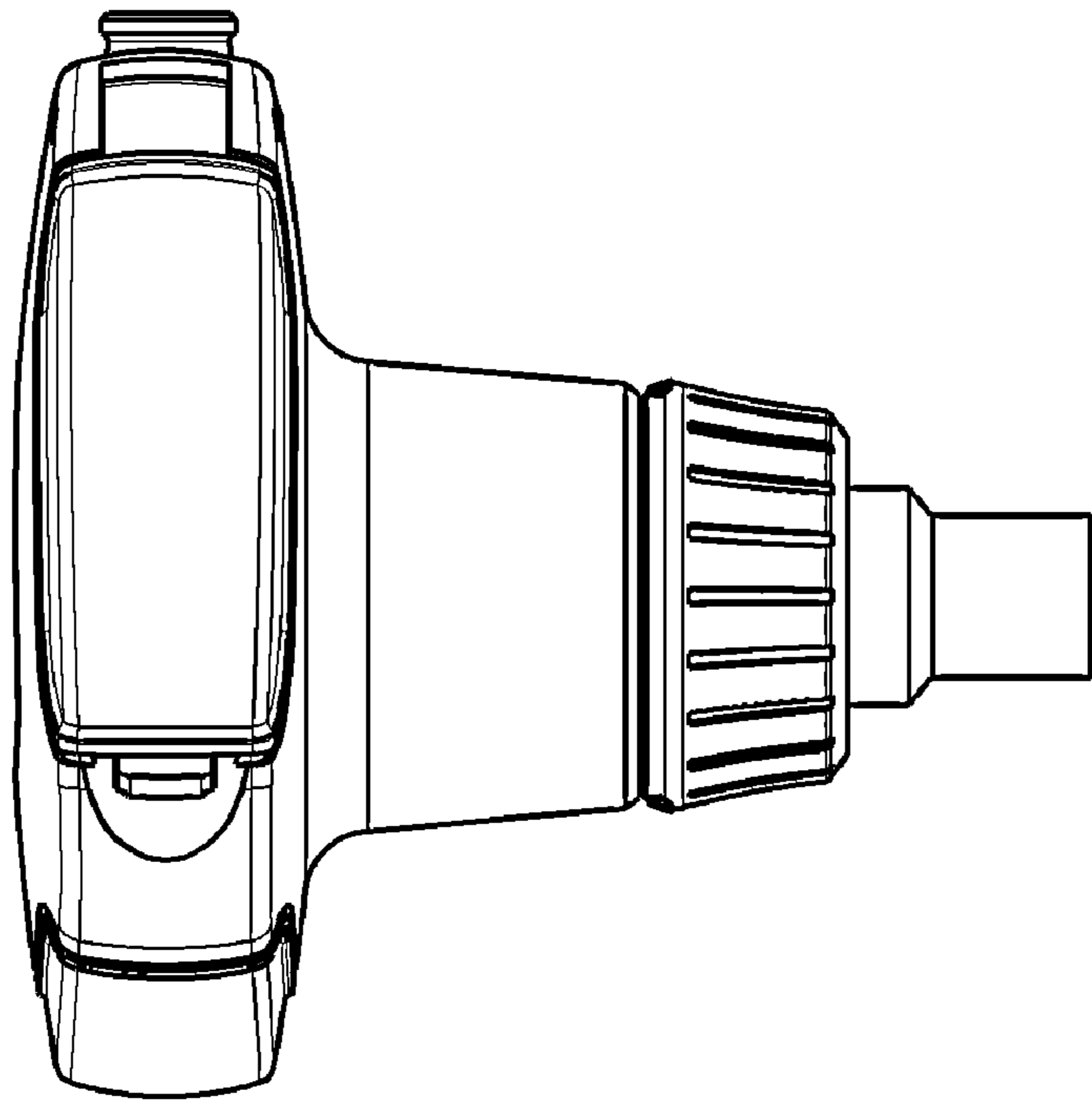


FIG. 3

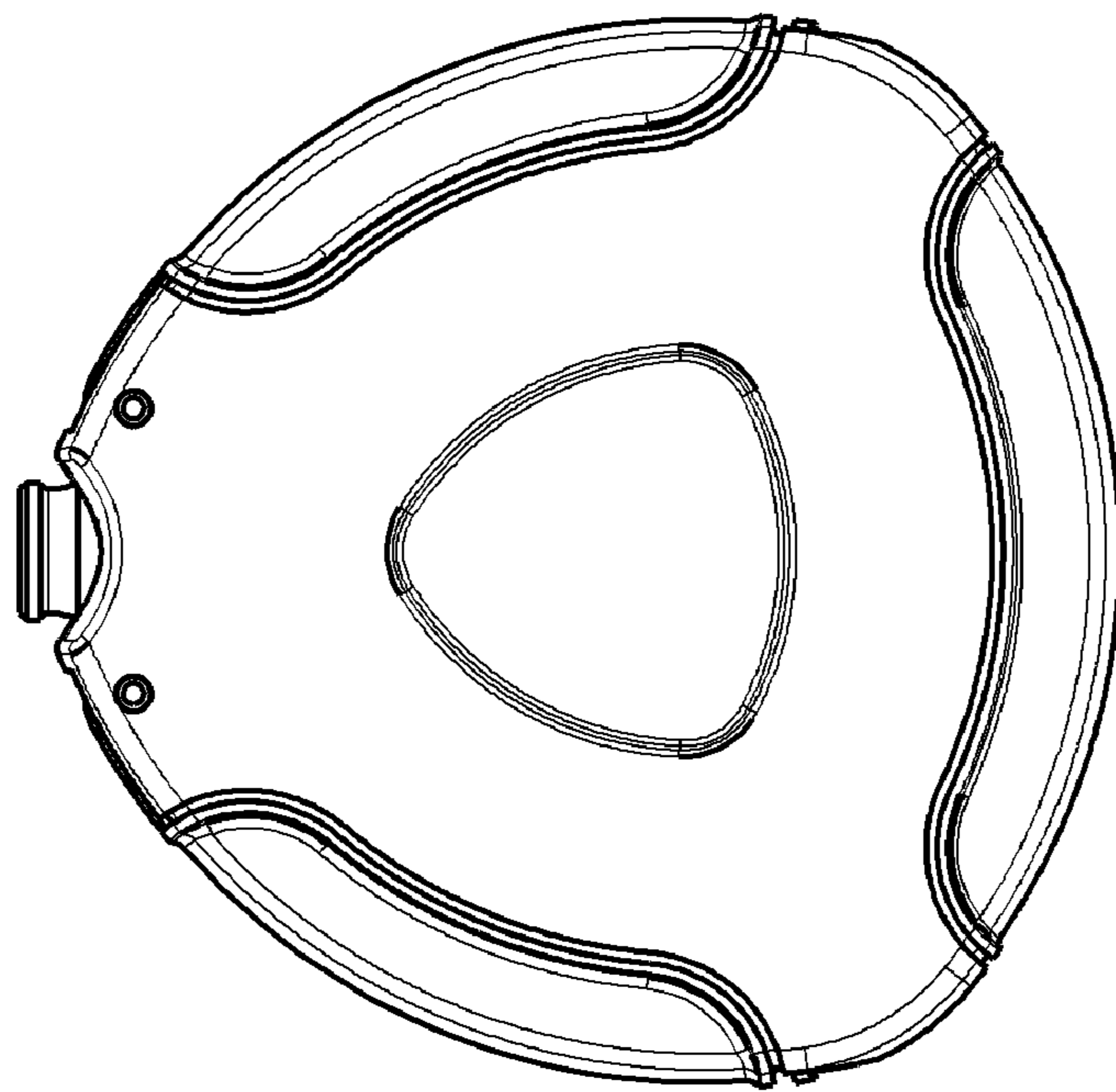


FIG. 4

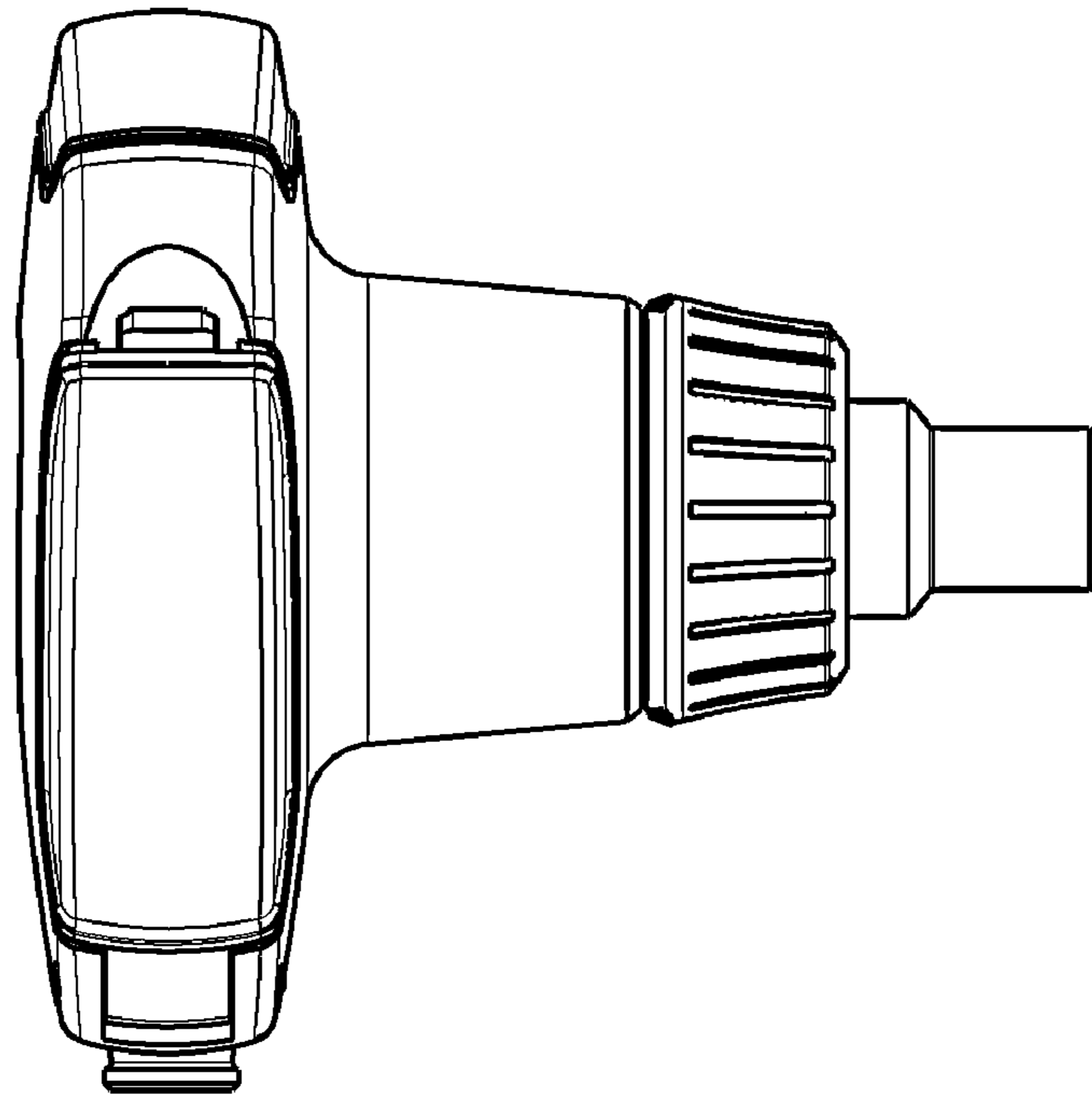


FIG. 5

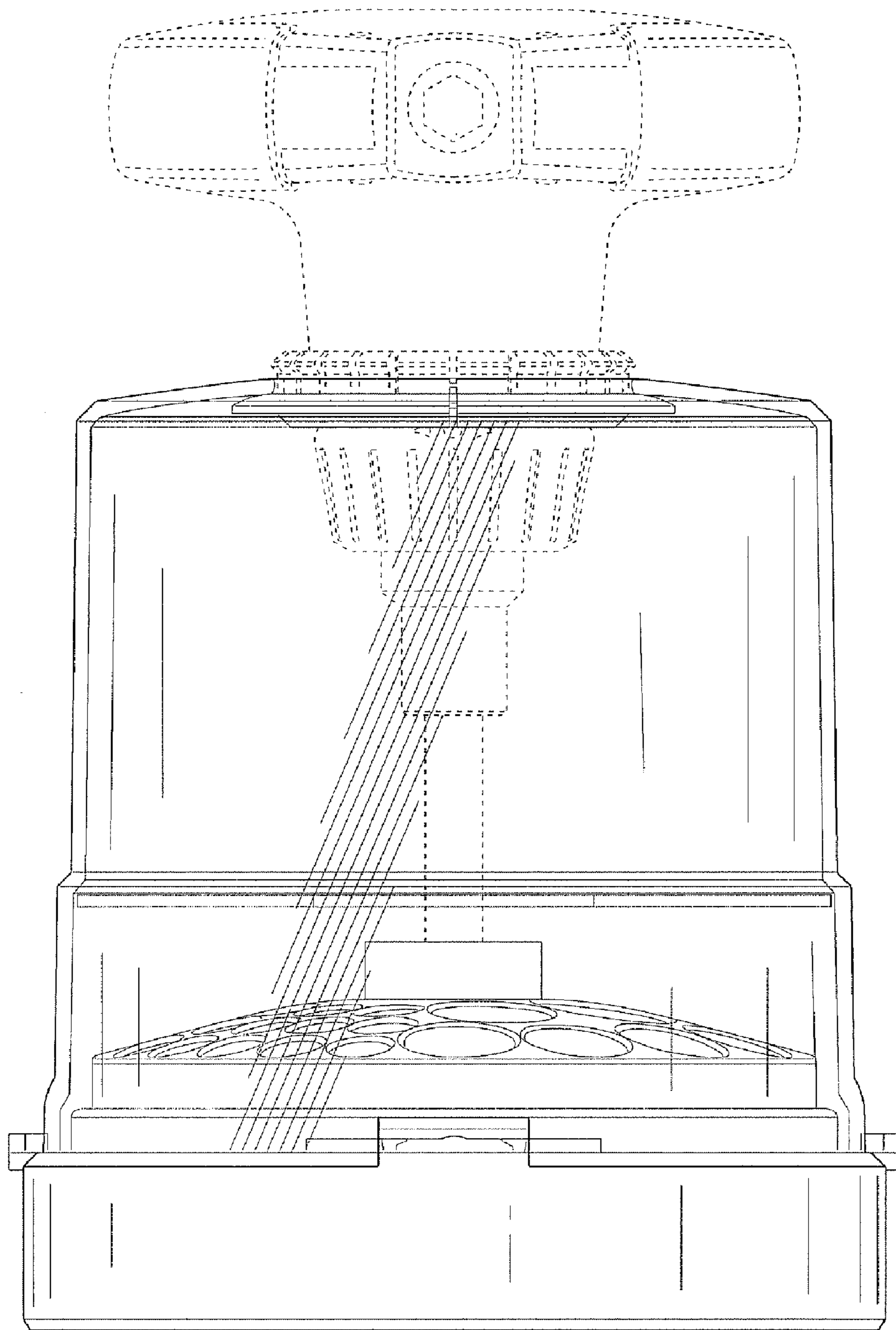


FIG. 6

UNITED STATES PATENT AND TRADEMARK OFFICE
CERTIFICATE OF CORRECTION

PATENT NO. : D672,957 S
APPLICATION NO. : 29/397848
DATED : December 25, 2012
INVENTOR(S) : Brent Christopher

Page 1 of 8

It is certified that error appears in the above-identified patent and that said Letters Patent is hereby corrected as shown below:

The title page showing the illustrative figure should be deleted to be replaced with the attached title page.

In the drawing sheets, consisting of Figs. 1-6, should be deleted to be replaced with the drawing sheets, consisting of Figs. 1-6, as shown on the attached pages.

Signed and Sealed this
Twentieth Day of August, 2013



Teresa Stanek Rea
Acting Director of the United States Patent and Trademark Office

(12) **United States Design Patent**
Christopher

(10) **Patent No.:** **US D672,957 S**
(45) **Date of Patent:** **** Dec. 25, 2012**

(54) **STORAGE CASE FOR A HAND TOOL**
(75) Inventor: **Brent Christopher**, Portland, OR (US)
(73) Assignee: **Meridian International Co., Ltd.** (CN)
(**) Term: **14 Years**
(21) Appl. No.: **29/397,848**
(22) Filed: **Jul. 21, 2011**

4,305,511 A * 12/1981 Denholtz 211.70
D279,385 S * 6/1985 Lieberman D19:77
D290,853 S * 7/1987 Appel D19:85
D290,854 S * 7/1987 Appel D19:85
4,682,688 A 7/1987 Budert
D293,235 S * 12/1987 Loof D13:157
D298,264 S * 10/1988 Wang D19:85
4,899,877 A 2/1990 Kiernan
4,924,733 A 5/1990 McKenzie
5,009,336 A * 4/1991 Liaw 211.69.1
D325,934 S * 5/1992 Ramljak D19:85
5,174,178 A 12/1992 Diston, Jr.
5,279,417 A 1/1994 Seaton
5,606,897 A 3/1997 Quinn
D382,998 S * 9/1997 Conigliaro D3:313

Related U.S. Application Data

(62) Division of application No. 29/362,607, filed on May 27, 2010, now Pat. No. Dcs. 644,901.

Foreign Application Priority Data

Mar. 17, 2010 (CN) 2010 3 0120320
Mar. 19, 2010 (CN) 2010 2 0137687
Mar. 19, 2010 (CN) 2010 2 0137698

(51) **LOC (9) Cl.** **03-01**
(52) **U.S. Cl.** **D3/284; D3/905**
(58) **Field of Classification Search** **D3/284,**
D3/302, 308, 313, 315, 901, 905; D8/71,
D8/82, 85; D19/77, 85; 206/349, 372, 375,
206/379; D28/38

See application file for complete search history.

(56) **References Cited**

U.S. PATENT DOCUMENTS

1,177,072 A 3/1916 Wartman
1,997,128 A * 4/1935 Voss 221/79
2,351,815 A * 6/1944 Jensen 312/73
3,063,551 A * 11/1962 Russell 312/73
D212,315 S * 9/1968 Taylor D3/308
3,489,289 A * 1/1970 Scott-Fenton 211/78
3,727,771 A * 4/1973 Hoffman 211/69
D227,316 S * 6/1973 MacKenzie D28/38
D229,997 S * 1/1974 Hoffman D6/457
3,879,041 A * 4/1975 Hester 273/282.1
D255,771 S * 7/1980 Cruz D8/71
D259,141 S * 5/1981 Oliver D24/230

(Continued)

OTHER PUBLICATIONS

Jul. 9, 2010 USPTO Office Action from related U.S. Appl. No. 12/605,600

(Continued)

Primary Examiner — Philip S Hyder
Assistant Examiner — Roselyne Ulm Cody
(74) *Attorney, Agent, or Firm* — Jason R. Sytsma;
Shuttleworth & Ingersoll, PLC

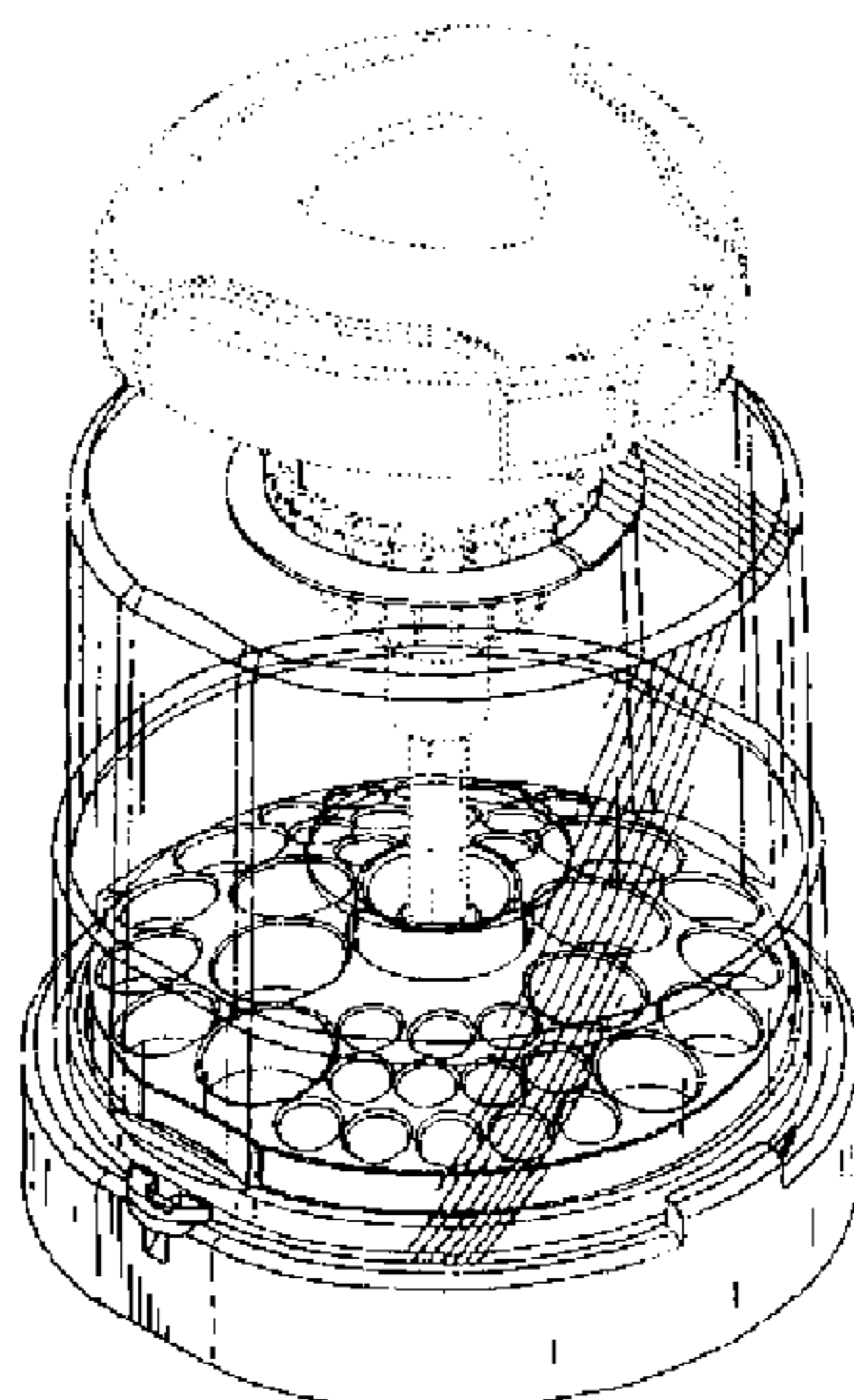
(57) **CLAIM**

The ornamental design for a storage case for a hand tool, as shown and described.

DESCRIPTION

FIG. 1 is a perspective view of a storage case for a hand tool, showing my new design;
FIG. 2 is a back-side view thereof;
FIG. 3 is a right-side view thereof;
FIG. 4 is a top view thereof;
FIG. 5 is a left-side view thereof; and
FIG. 6 is a front-side view thereof.
The broken lines in the drawings are directed to environment and form no part of the claim.

1 Claim, 6 Drawing Sheets



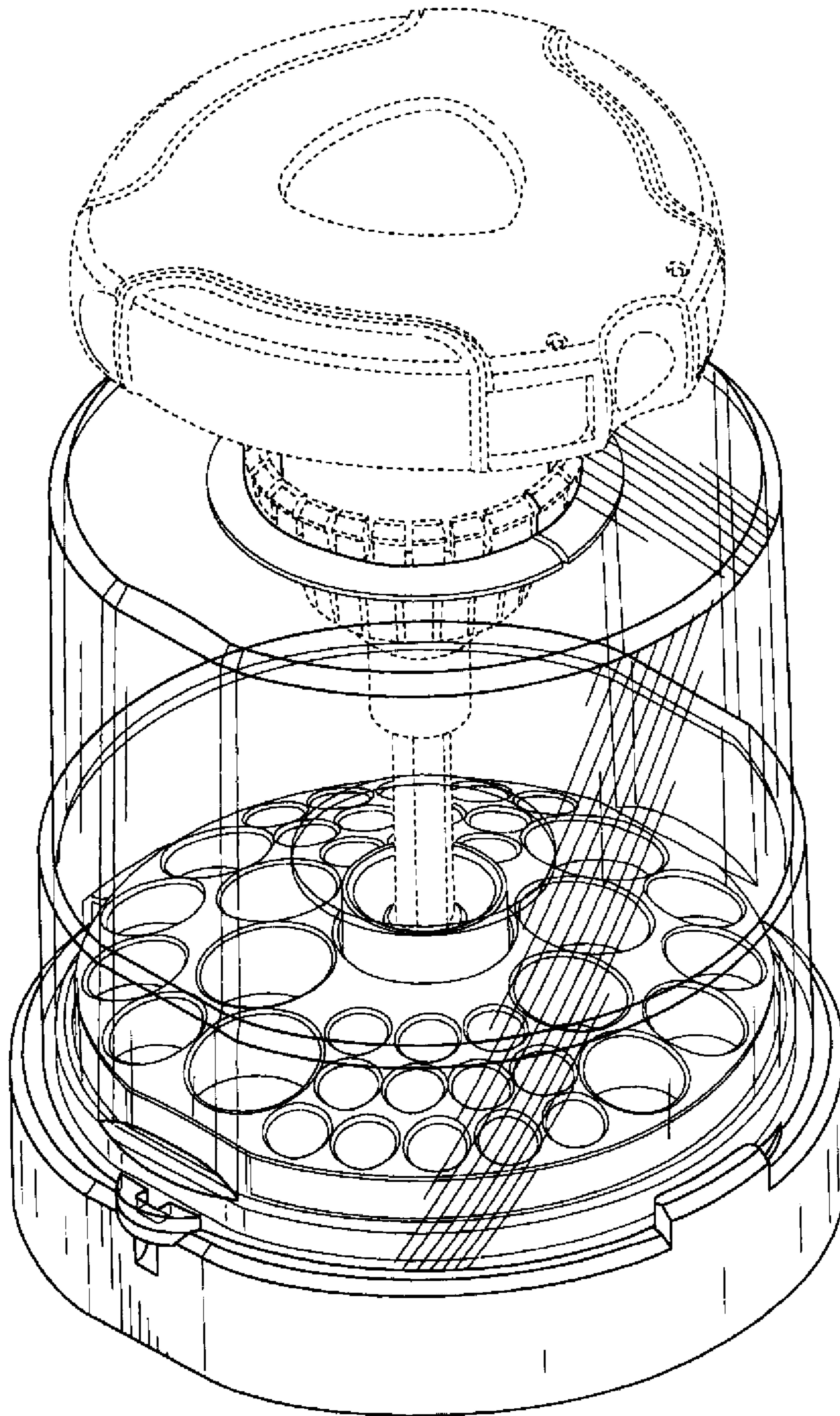


FIG. 1

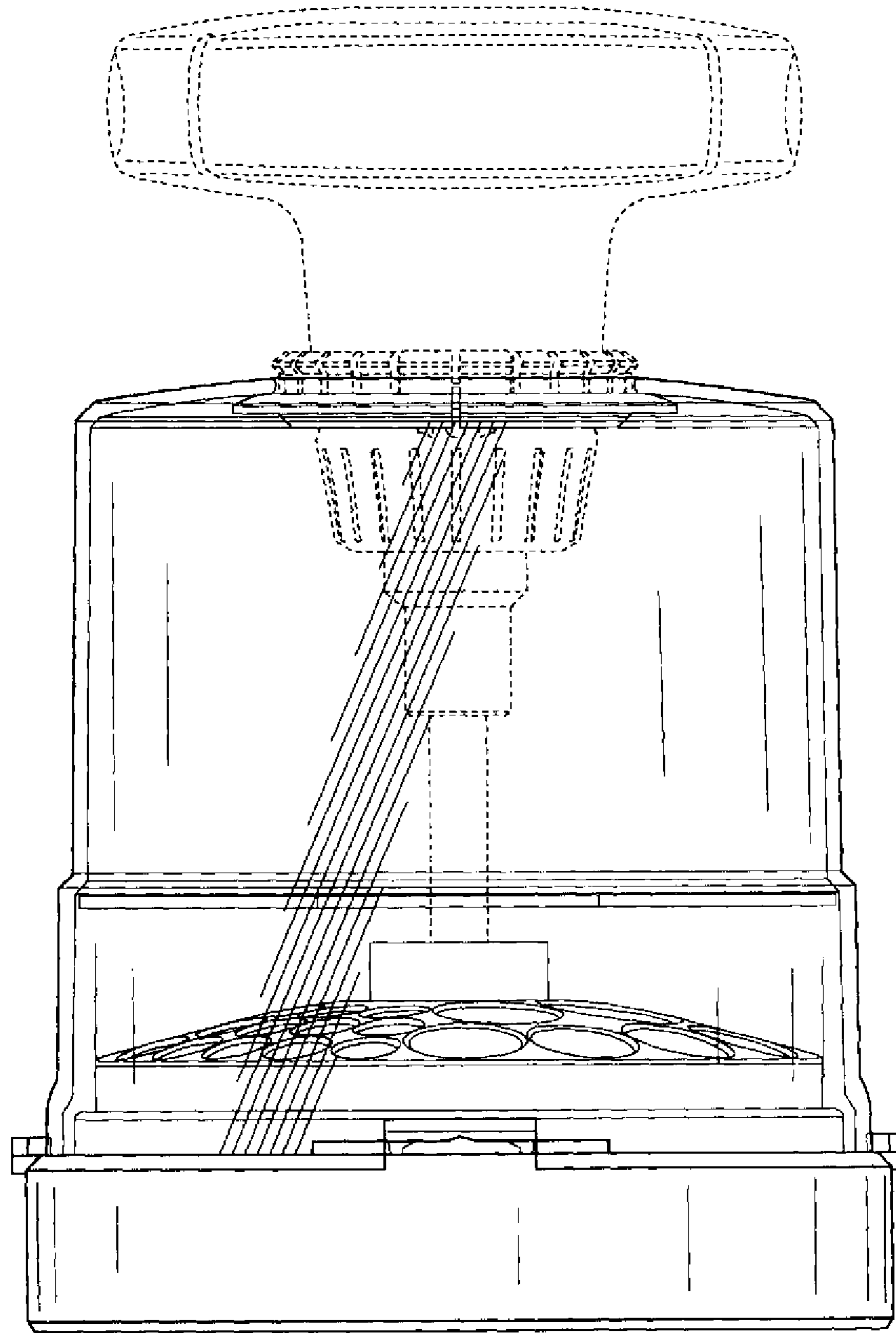


FIG. 2

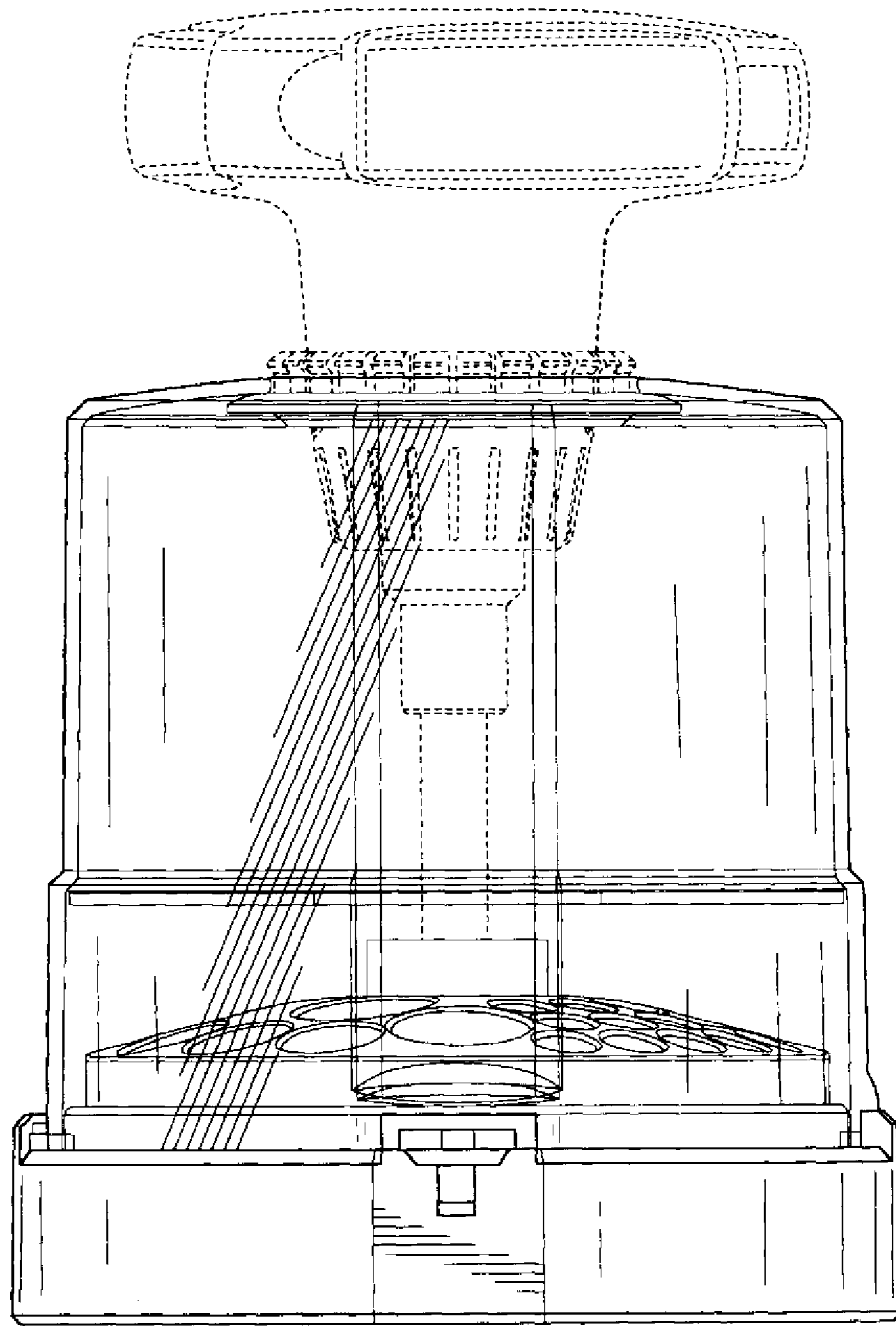


FIG. 3

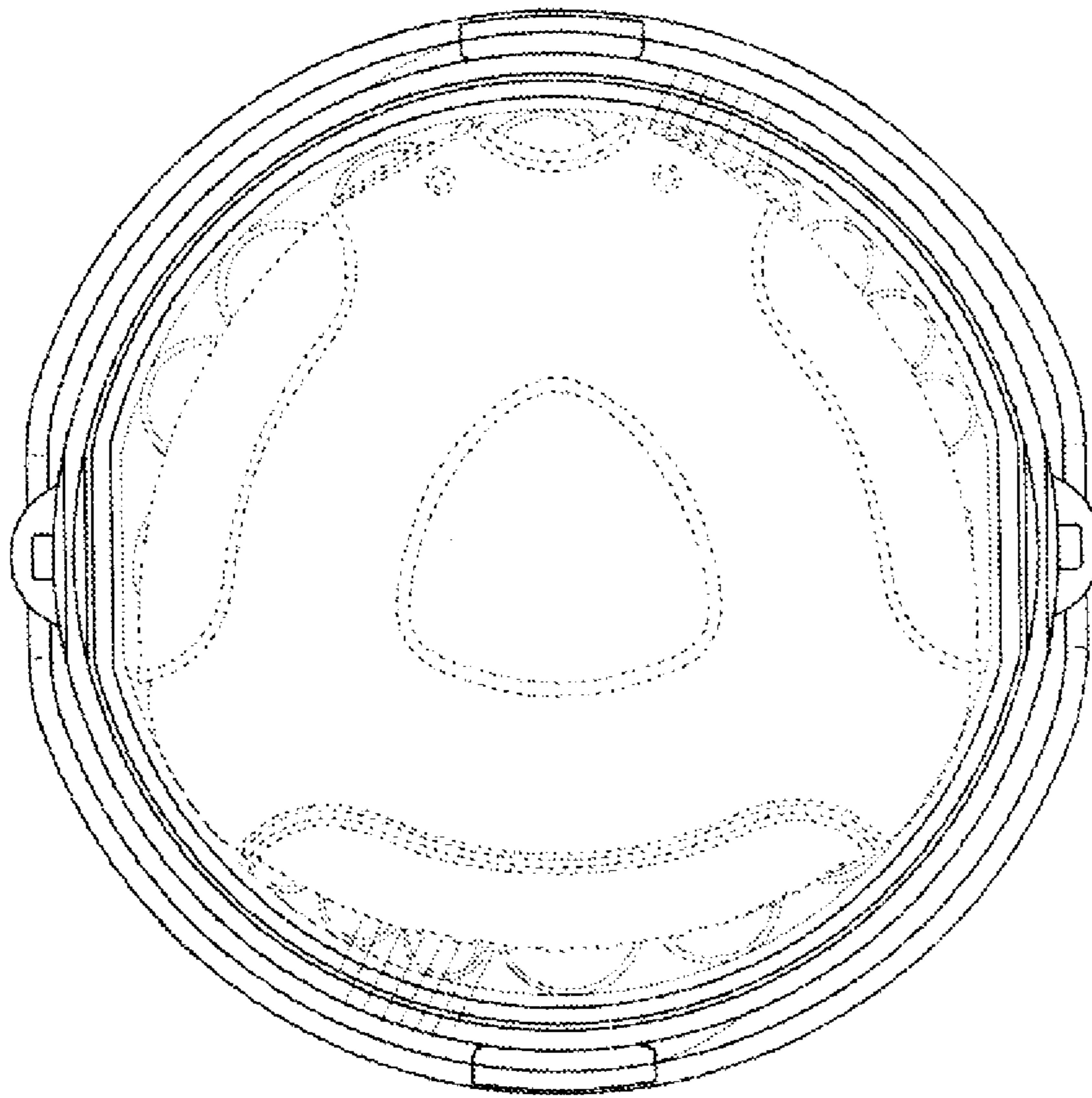


FIG. 4

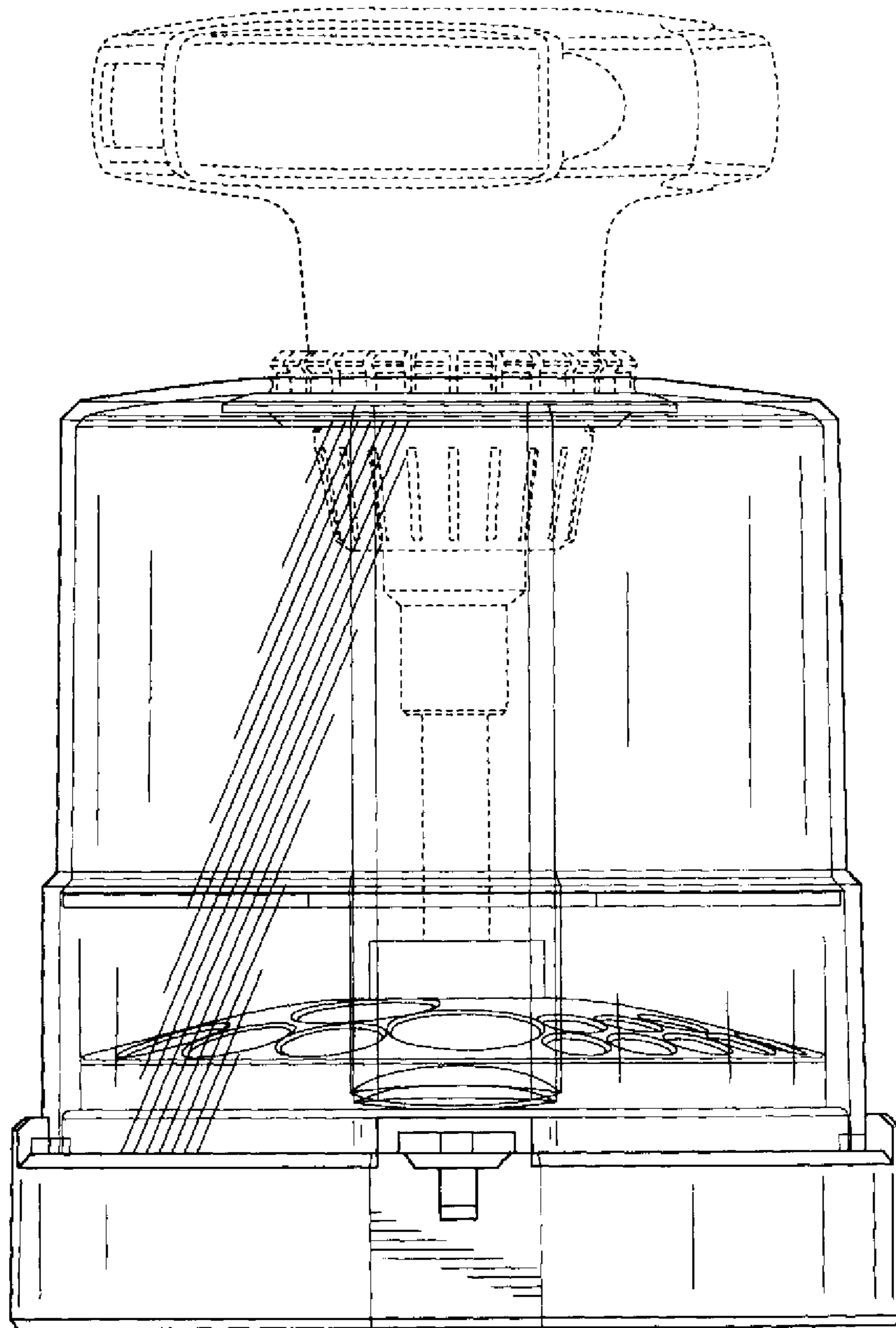


FIG. 5

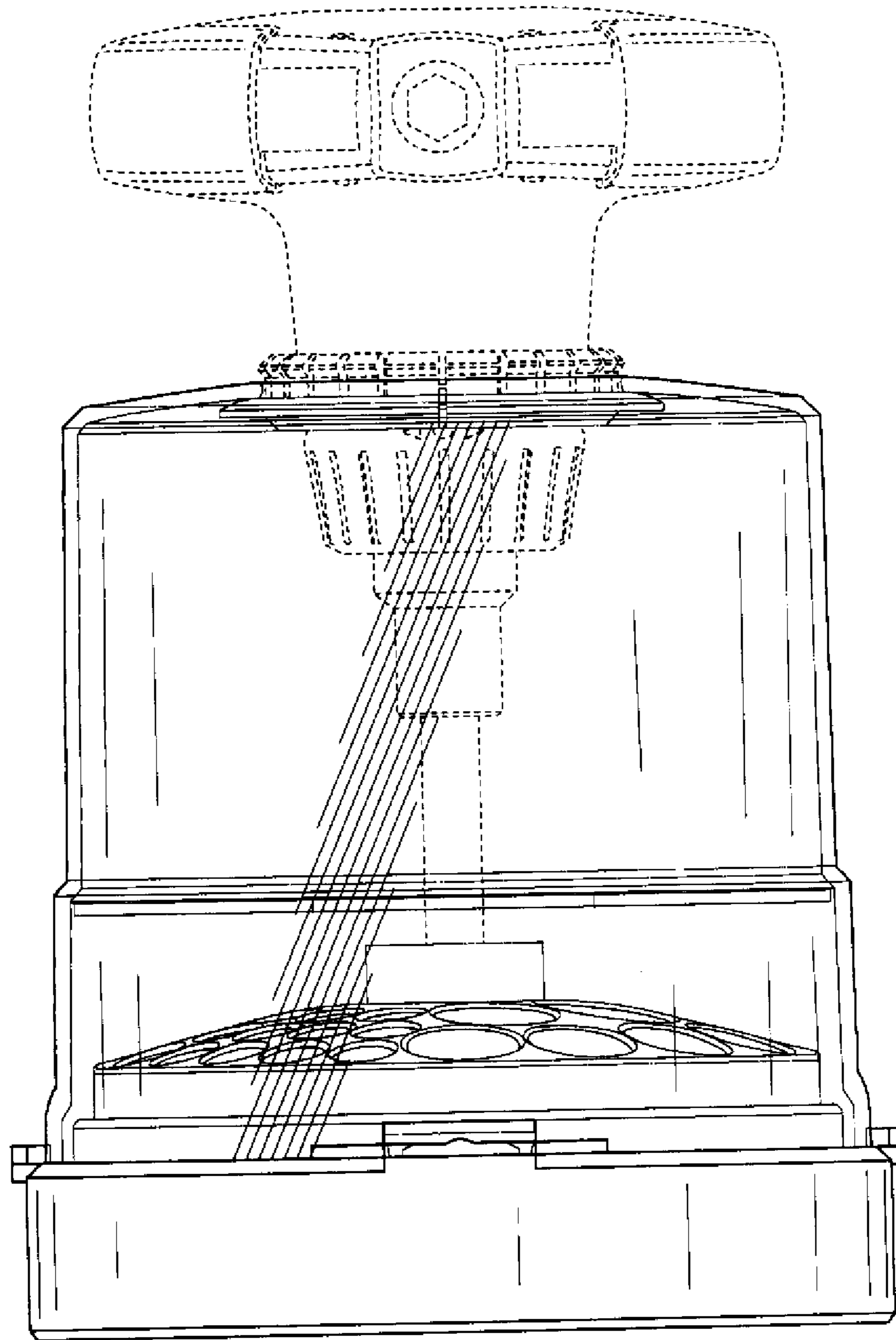


FIG. 6