



US00D672956S

(12) **United States Design Patent**  
**Duvigneau**

(10) **Patent No.:** **US D672,956 S**

(45) **Date of Patent:** **\*\* Dec. 25, 2012**

(54) **TOOL BOX**

D505,011 S \* 5/2005 Einav ..... D3/274  
D577,488 S \* 9/2008 Weng et al. .... D3/281  
D647,300 S \* 10/2011 Shitrit et al. .... D3/281

(75) Inventor: **Nikolai Duvigneau, Zichron Yaacov (IL)**

\* cited by examiner

(73) Assignee: **Curver Luxembourg Sarl, Neidercorn (LU)**

*Primary Examiner* — Jennifer Rivard

(\*\*) Term: **14 Years**

(74) *Attorney, Agent, or Firm* — Nath, Goldberg & Meyer; Jerald L. Meyer

(21) Appl. No.: **29/399,171**

(57) **CLAIM**

(22) Filed: **Aug. 10, 2011**

The ornamental design for a tool box, as shown and described.

(30) **Foreign Application Priority Data**

**DESCRIPTION**

Feb. 28, 2011 (EM) ..... 1262646

(51) **LOC (9) Cl.** ..... **03-01**

FIG. 1 is a top perspective view of the design for a tool box; FIG. 2 is a front elevational view of the design for a tool box as seen in FIG. 1;

(52) **U.S. Cl.** ..... **D3/281; D3/905**

FIG. 3 is a rear elevational view of the design for a tool box as seen in FIG. 1;

(58) **Field of Classification Search** ..... 206/349, 206/372-379; 220/523-528, 23.4; D3/273, D3/276, 280-288, 291-297, 900-905; 211/70.6

FIG. 4 is a right elevational view of the design for a tool box as seen in FIG. 1;

See application file for complete search history.

FIG. 5 is a left elevational view of the design for a tool box as seen in FIG. 1;

(56) **References Cited**

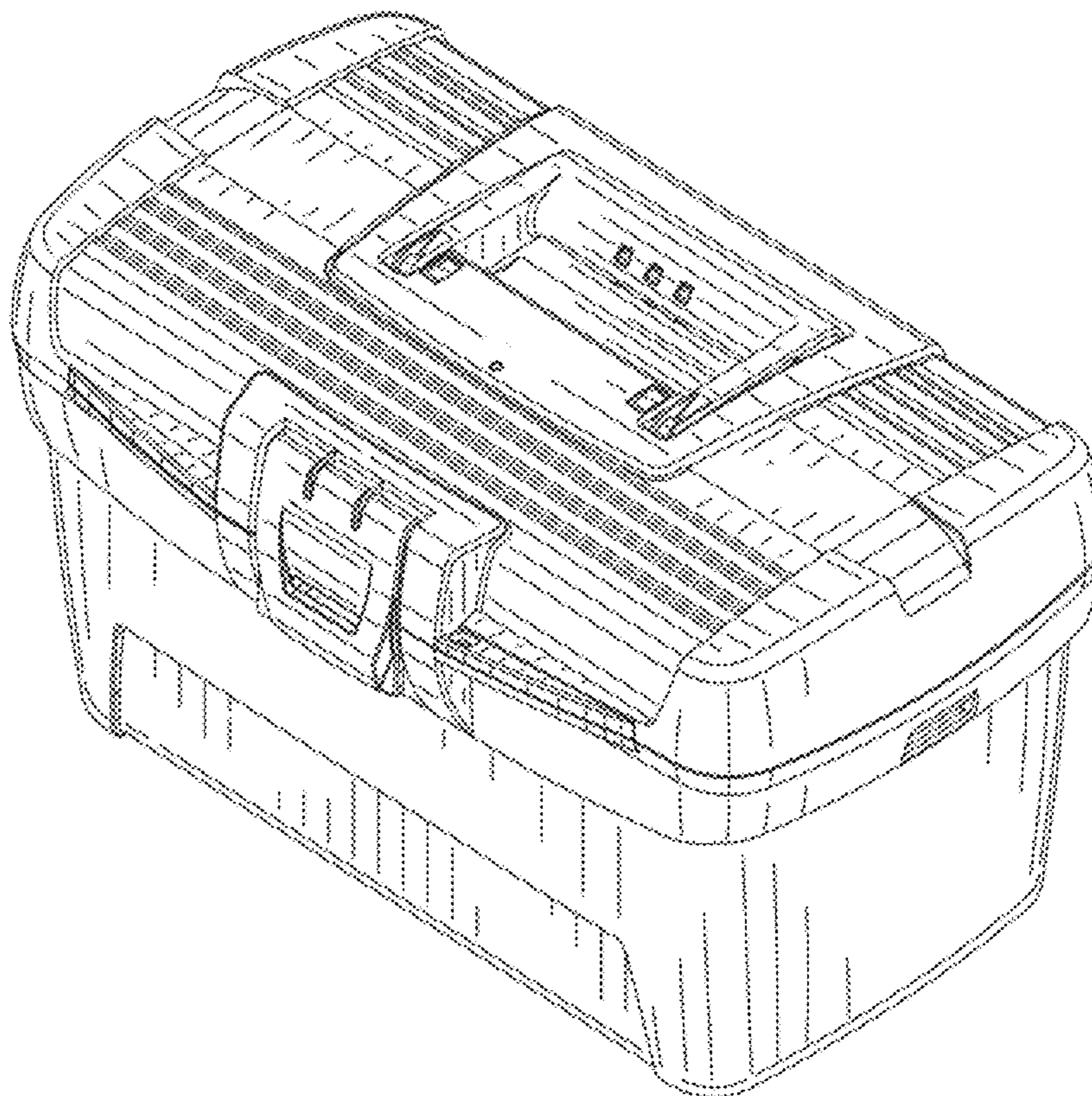
FIG. 6 is a top planar view of the design for a tool box as seen in FIG. 1; and,

**U.S. PATENT DOCUMENTS**

FIG. 7 is a bottom planar view of the design for a tool box as seen in FIG. 1.

D329,747 S \* 9/1992 Embree ..... D3/294  
D424,297 S \* 5/2000 Story et al. .... D3/281  
D470,659 S \* 2/2003 Story et al. .... D3/291

**1 Claim, 7 Drawing Sheets**



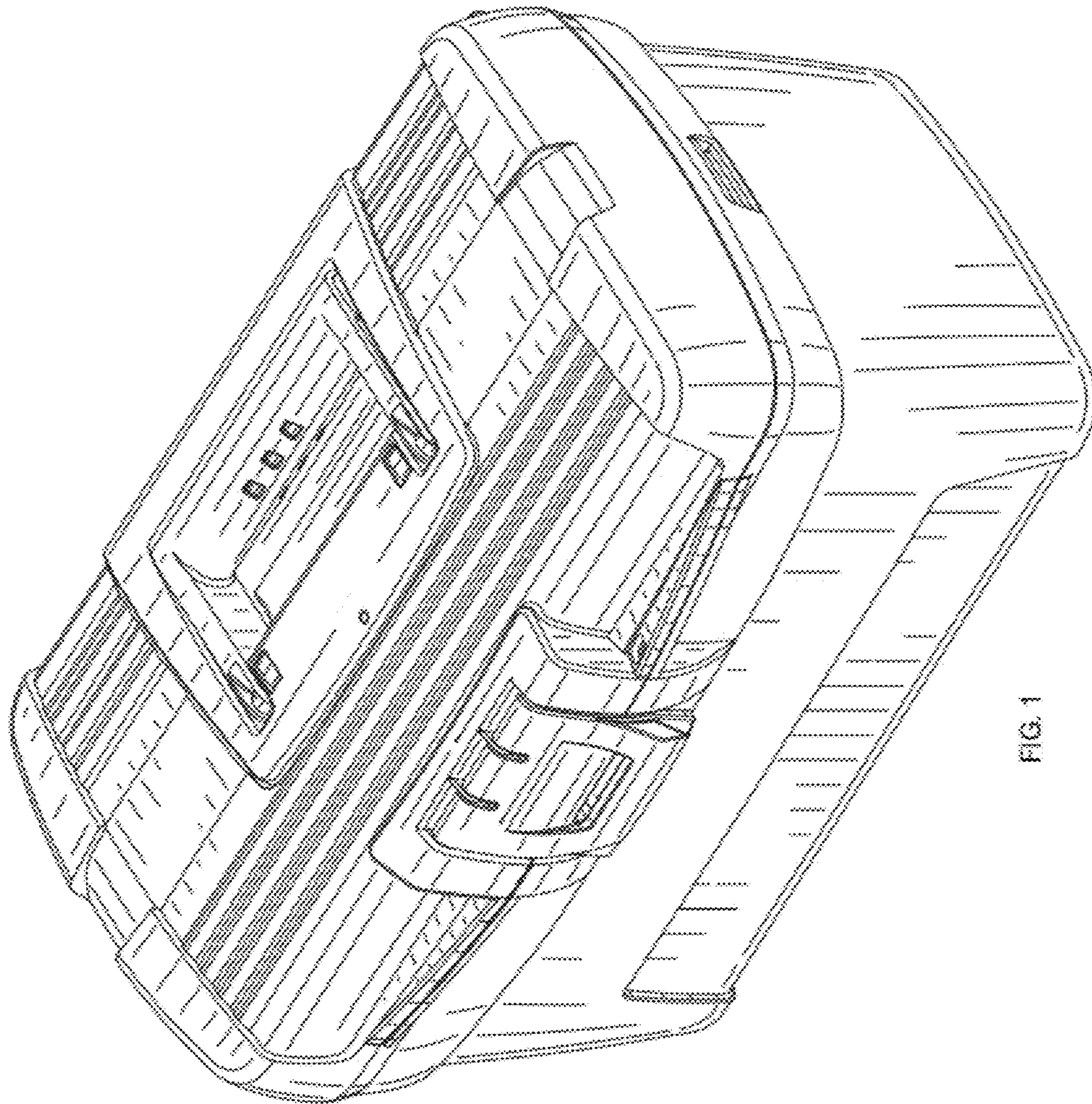


FIG. 1

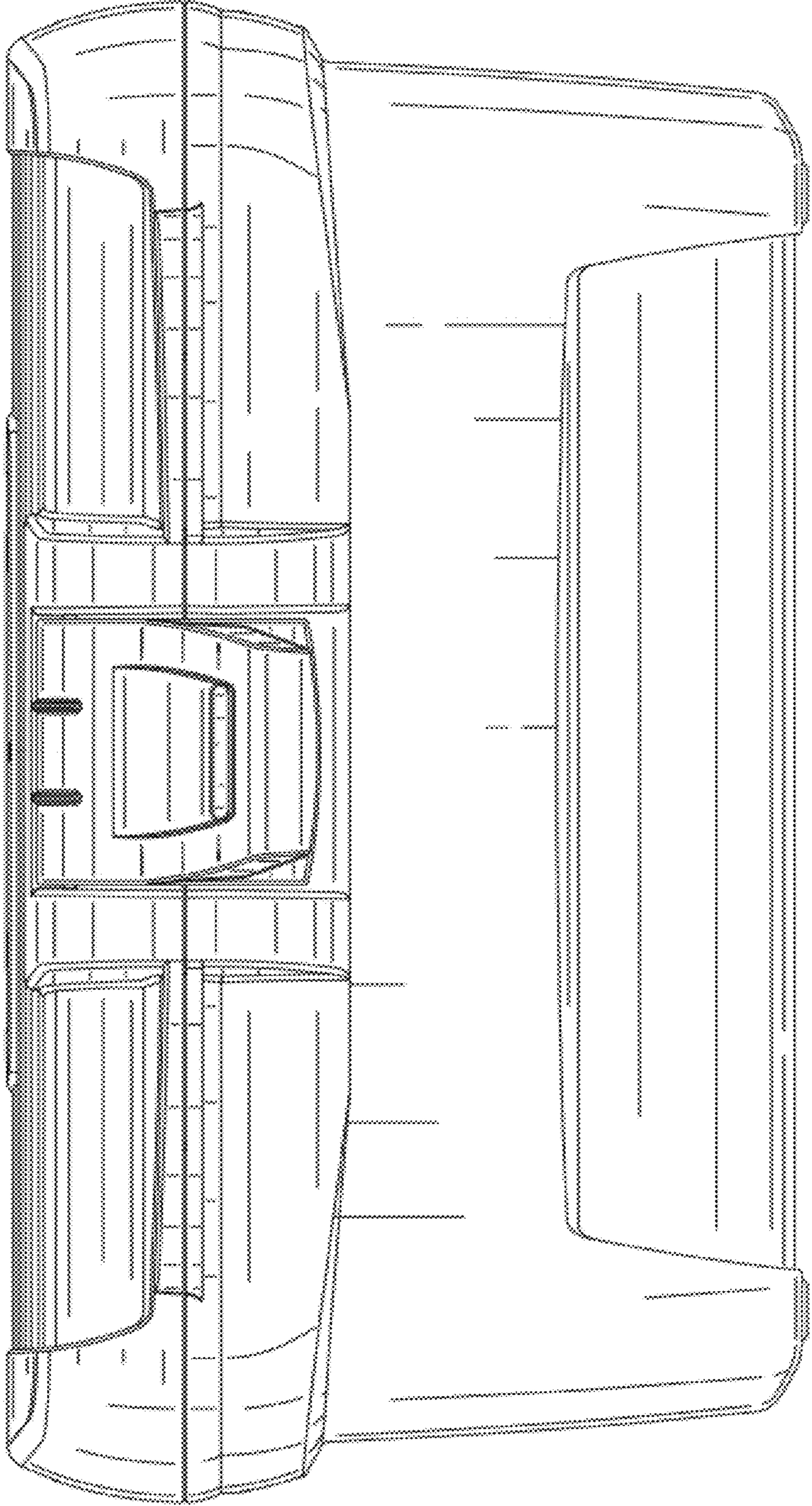


FIG. 2

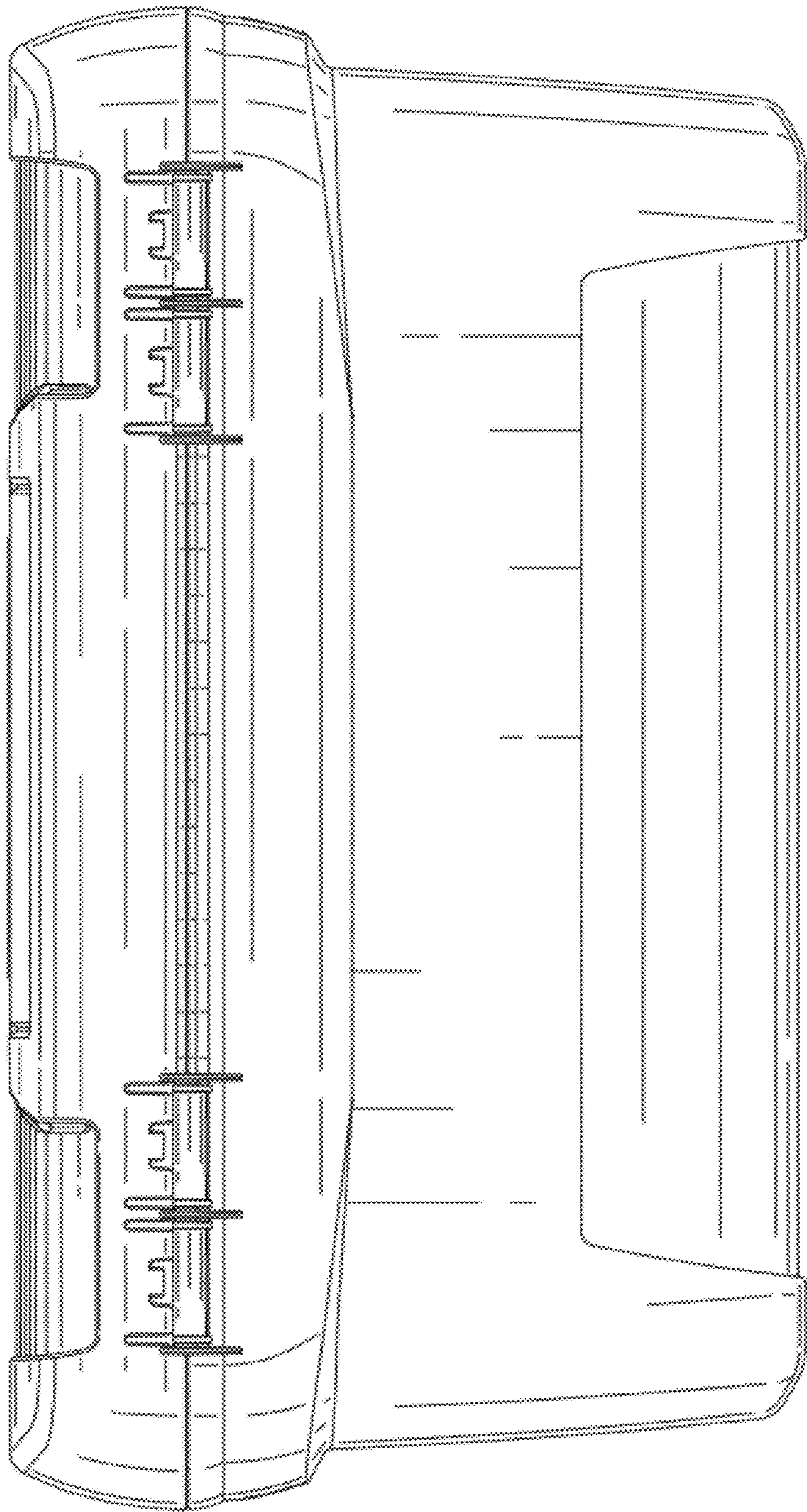


FIG. 3

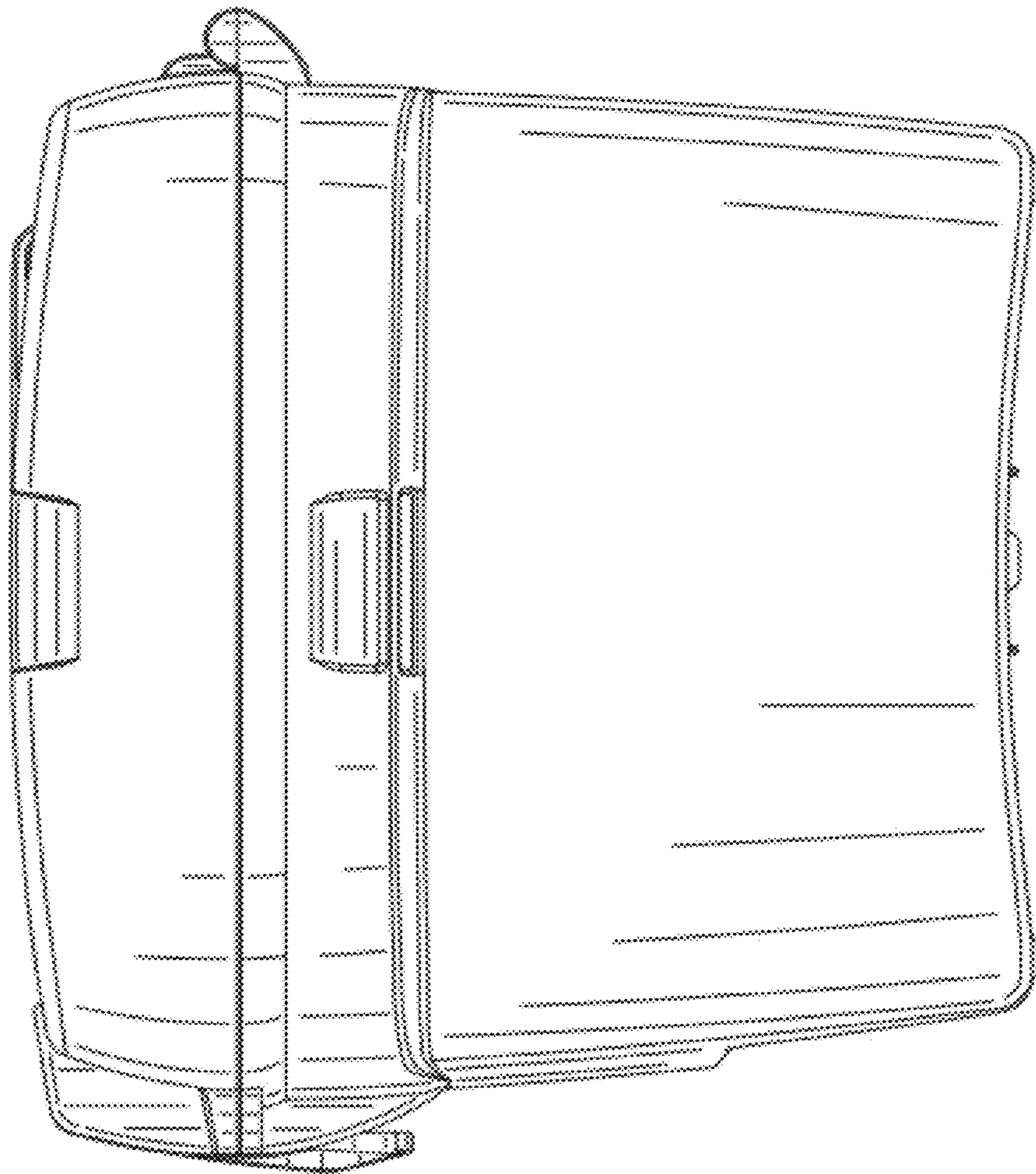


FIG. 4

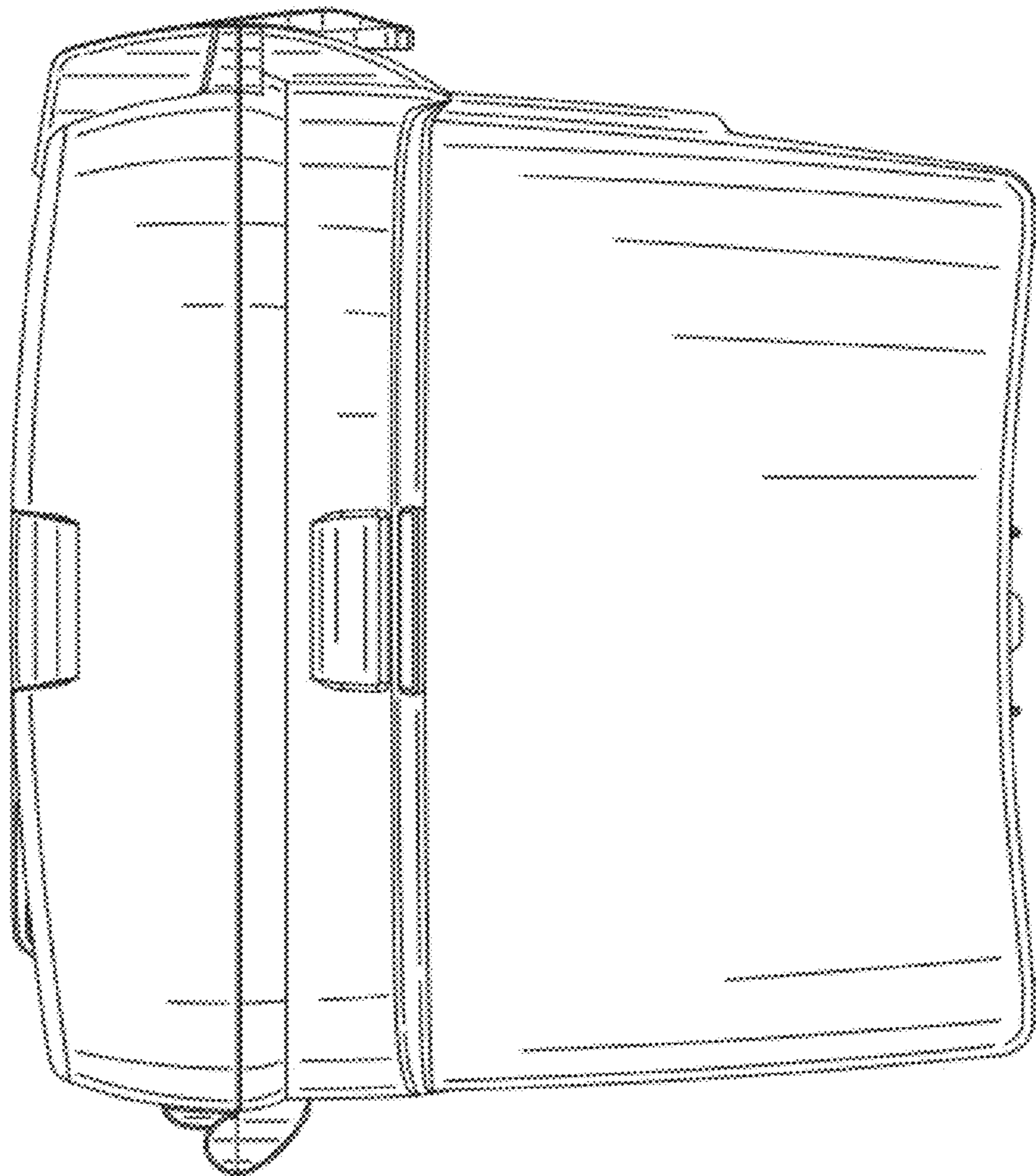


FIG. 5

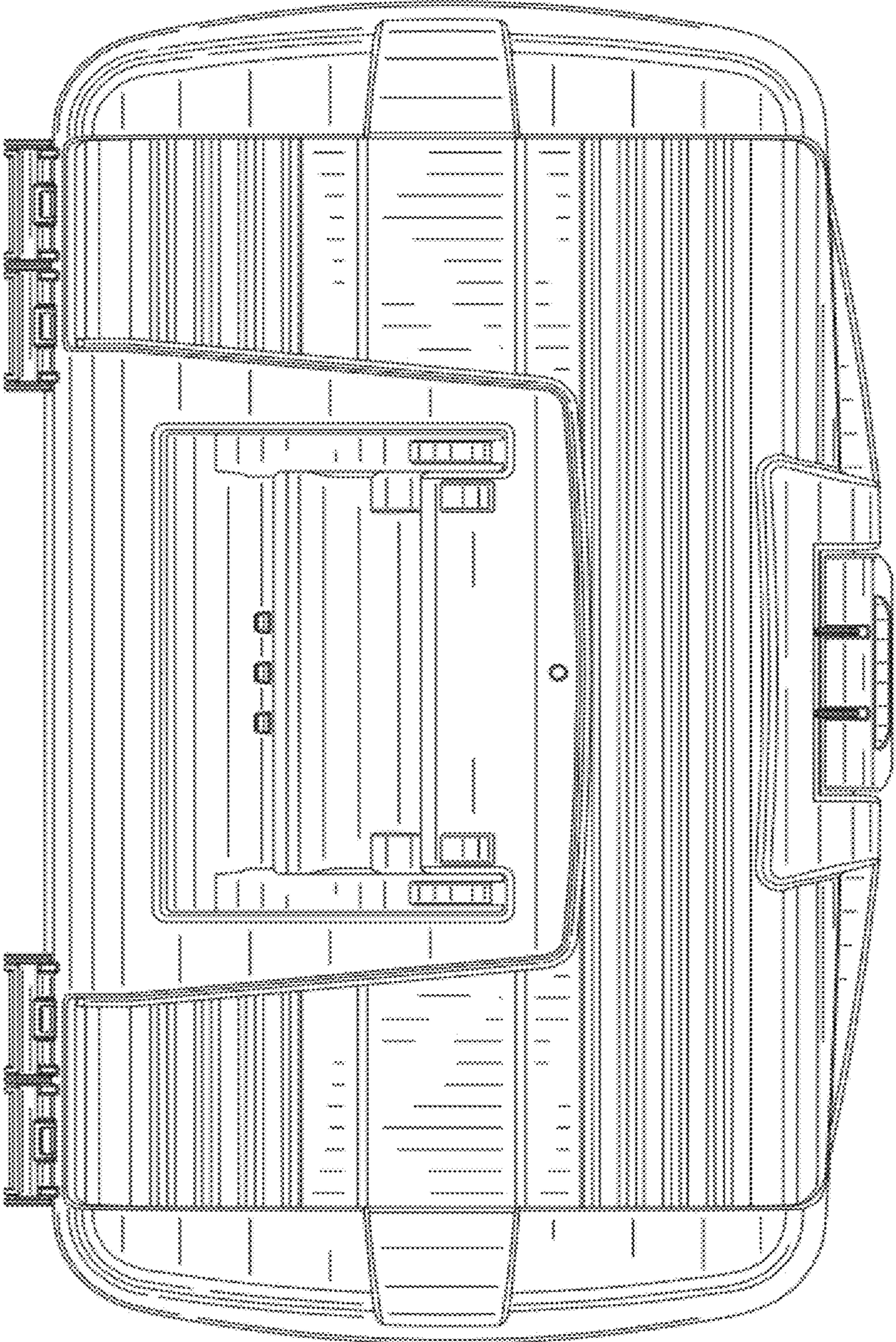


FIG. 6

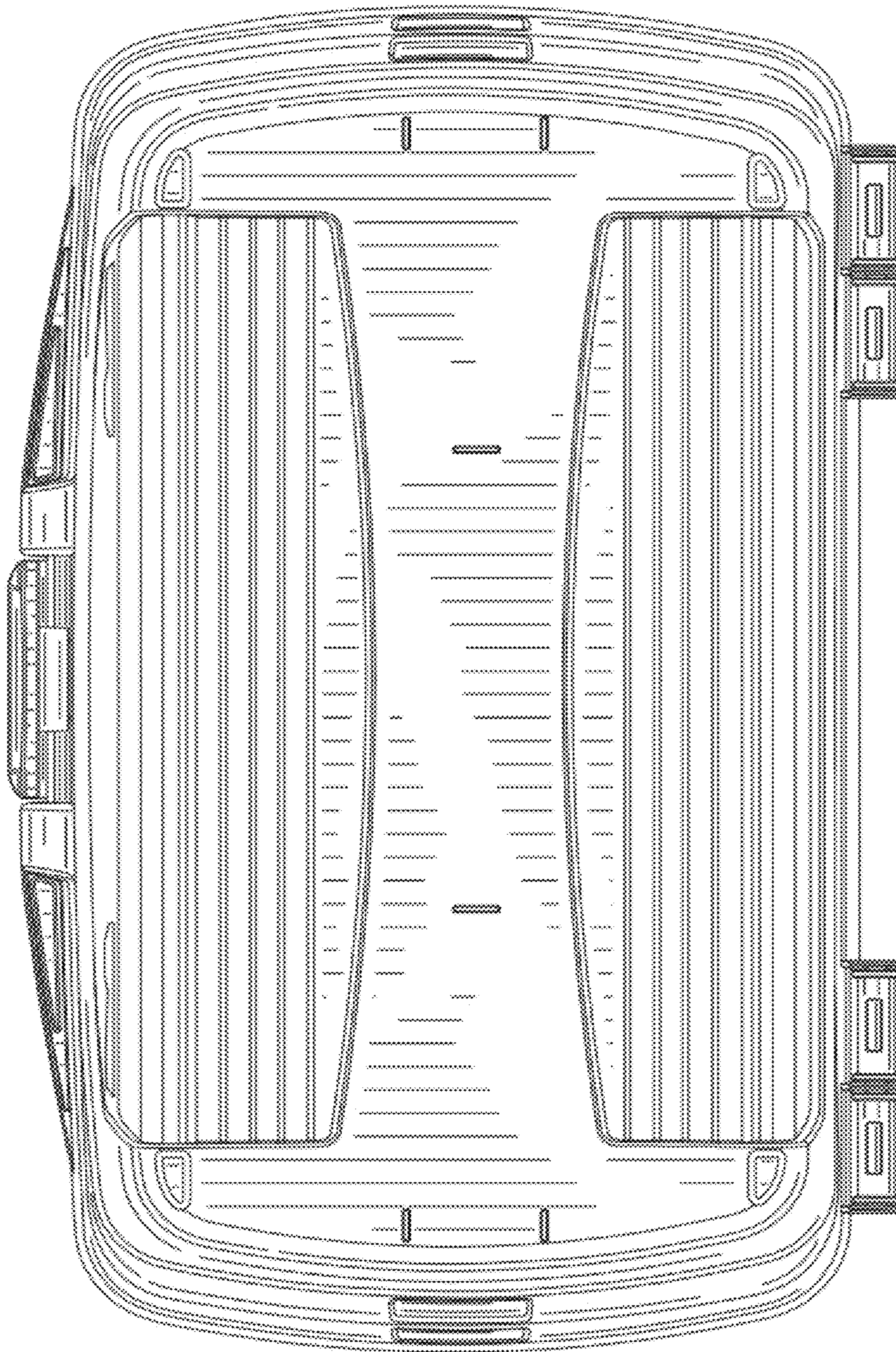


FIG. 7