



US00D672955S

(12) **United States Design Patent**  
**Benshetrit**

(10) **Patent No.:** **US D672,955 S**

(45) **Date of Patent:** **\*\* Dec. 25, 2012**

(54) **EXPANDABLE SUITCASE**

(75) Inventor: **Dror Benshetrit**, New York, NY (US)

(73) Assignee: **Tumi, Inc.**, South Plainfield, NJ (US)

(\*\*) Term: **14 Years**

(21) Appl. No.: **29/401,852**

(22) Filed: **Sep. 16, 2011**

(51) **LOC (9) Cl.** ..... **03-01**

(52) **U.S. Cl.** ..... **D3/279**

(58) **Field of Classification Search** ..... D3/272,  
D3/273, 274, 276, 279, 289, 297, 321; 190/1,  
190/3, 6, 7, 9, 13 R, 14, 13 F, 15.1, 18 A,  
190/108, 100-107, 109-114, 115-127, 903  
See application file for complete search history.

(56) **References Cited**

**U.S. PATENT DOCUMENTS**

5,547,052	A *	8/1996	Latshaw	.....	190/108
5,645,146	A *	7/1997	Bieber et al.	.....	190/18 A
5,875,876	A *	3/1999	Wang	.....	190/18 A
D456,993	S *	5/2002	Lin	.....	D3/279
D494,364	S *	8/2004	Burgess et al.	.....	D3/279
D622,060	S *	8/2010	Scicluna et al.	.....	D3/279
D640,868	S *	7/2011	Jongchul	.....	D3/279
2011/0168507	A1 *	7/2011	Penley et al.	.....	190/18 A

\* cited by examiner

*Primary Examiner* — Jennifer Rivard

(74) *Attorney, Agent, or Firm* — Jon Fallon, Esq.

(57) **CLAIM**

What is claimed is the ornamental design for an expandable suitcase, as shown and described.

**DESCRIPTION**

FIG. 1 depicts a front view of an expandable suitcase, showing the novel design;

FIG. 2 depicts a rear view of an expandable suitcase, showing the novel design;

FIG. 3 depicts a perspective view of an expandable suitcase, showing the novel design;

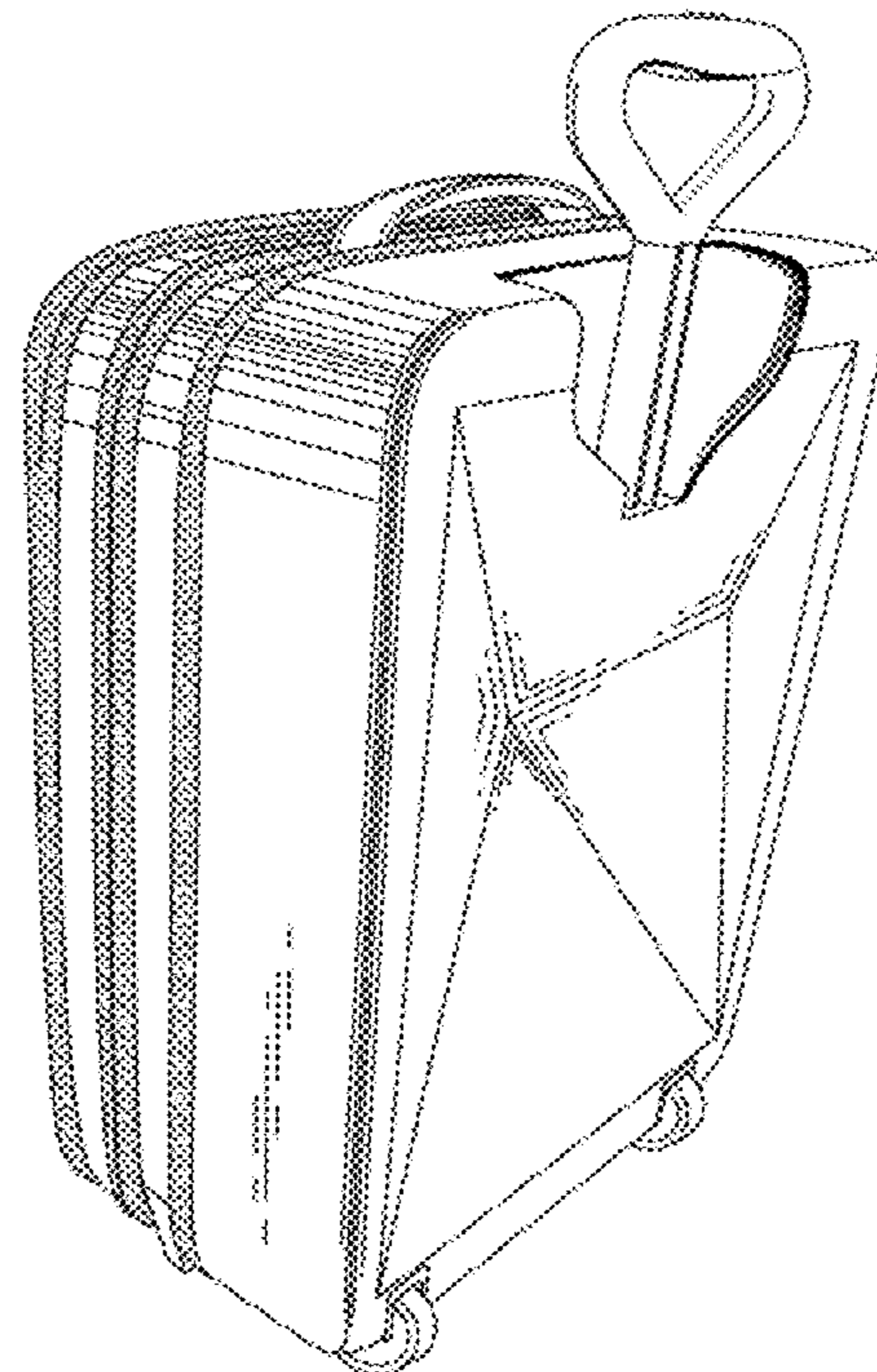
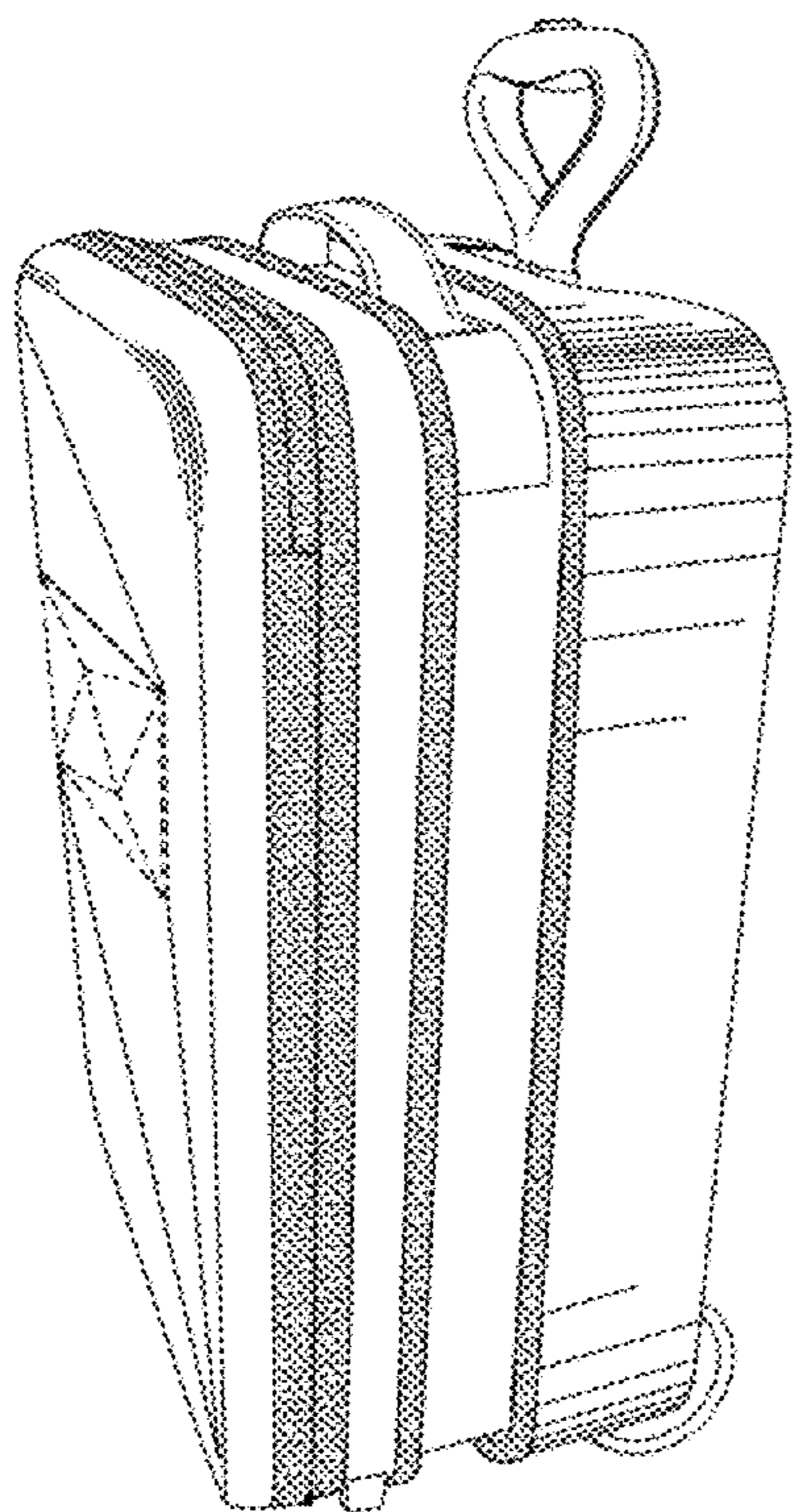
FIG. 4 depicts an alternate perspective view of an expandable suitcase, showing the novel design;

FIG. 5 depicts a perspective bottom view of an expandable suitcase, showing the novel design; and,

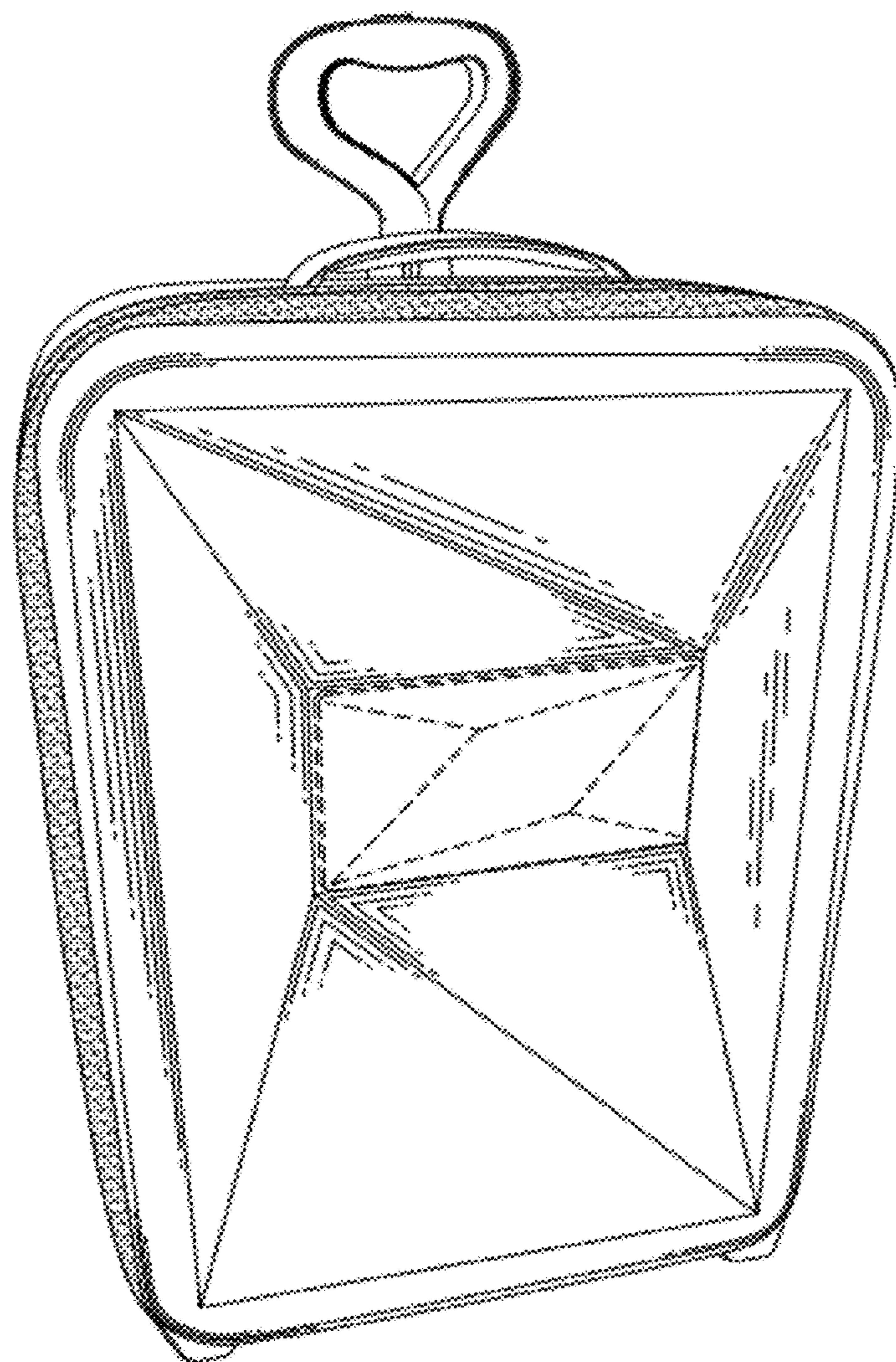
FIG. 6 depicts a, alternate perspective bottom view of an expandable suitcase, showing the novel design.

The dashed broken lines shown in the Figures do not represent a part of the claimed design.

**1 Claim, 6 Drawing Sheets**



*FIG. 1*



*FIG. 2*

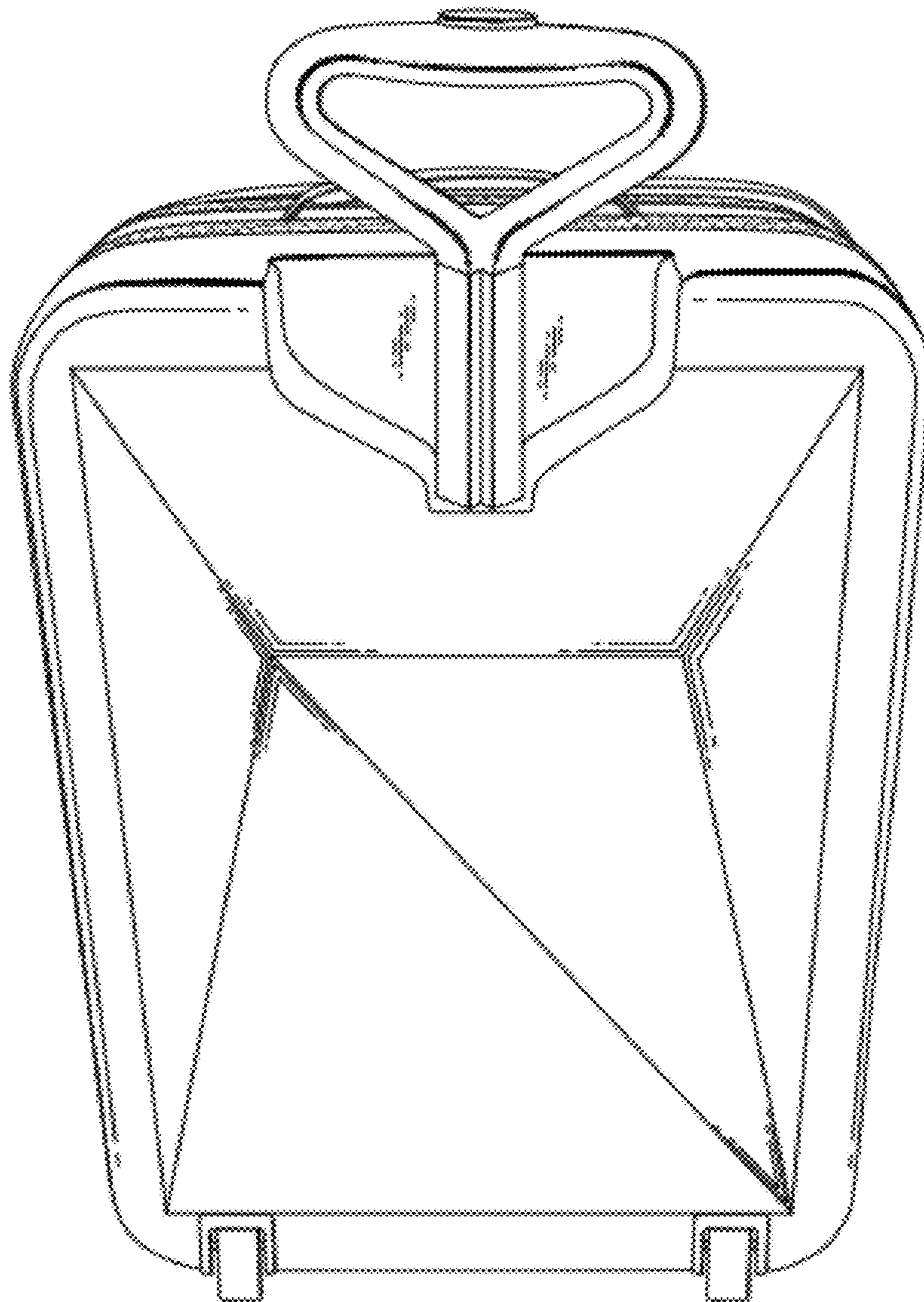


FIG. 3

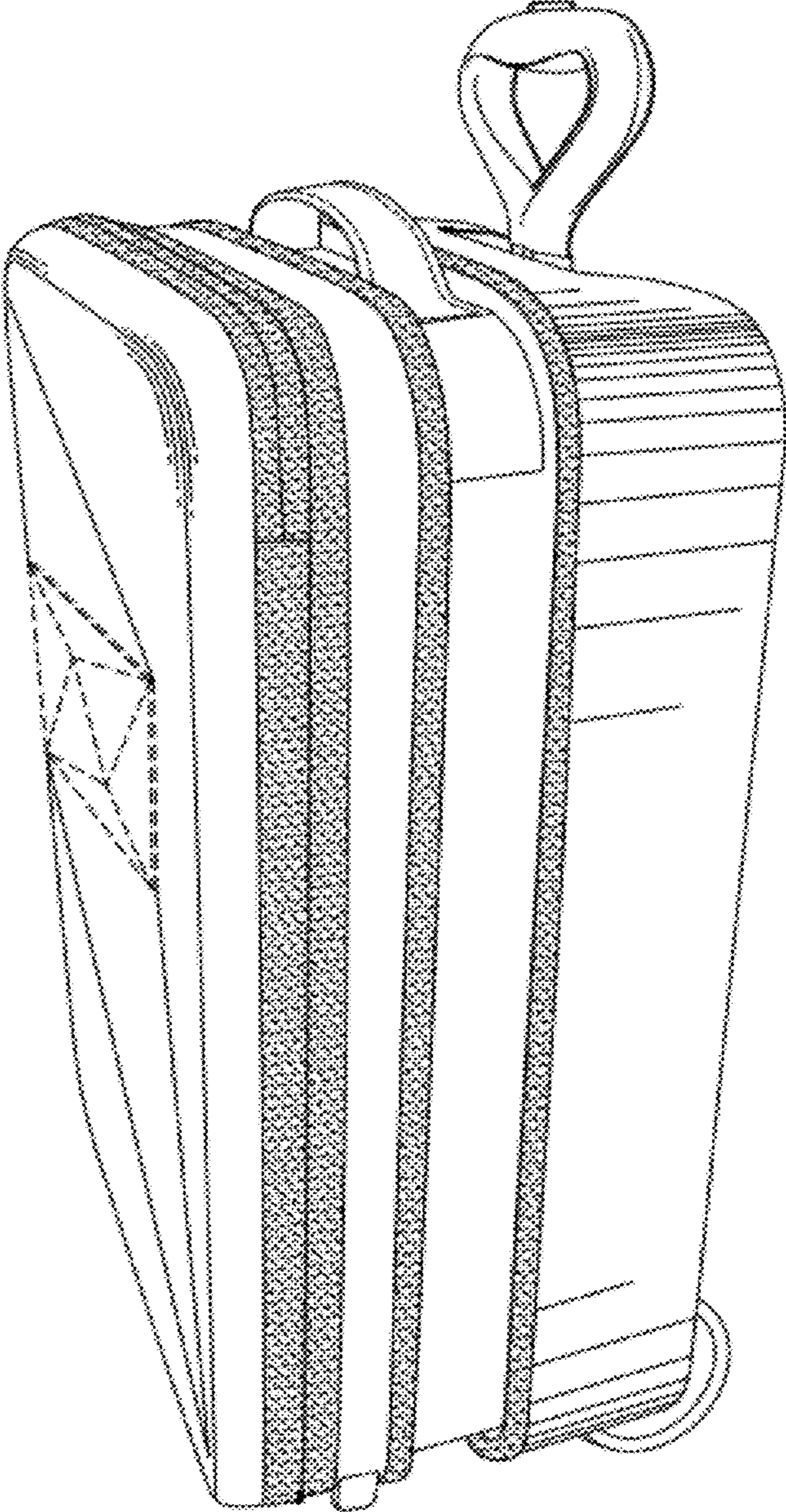
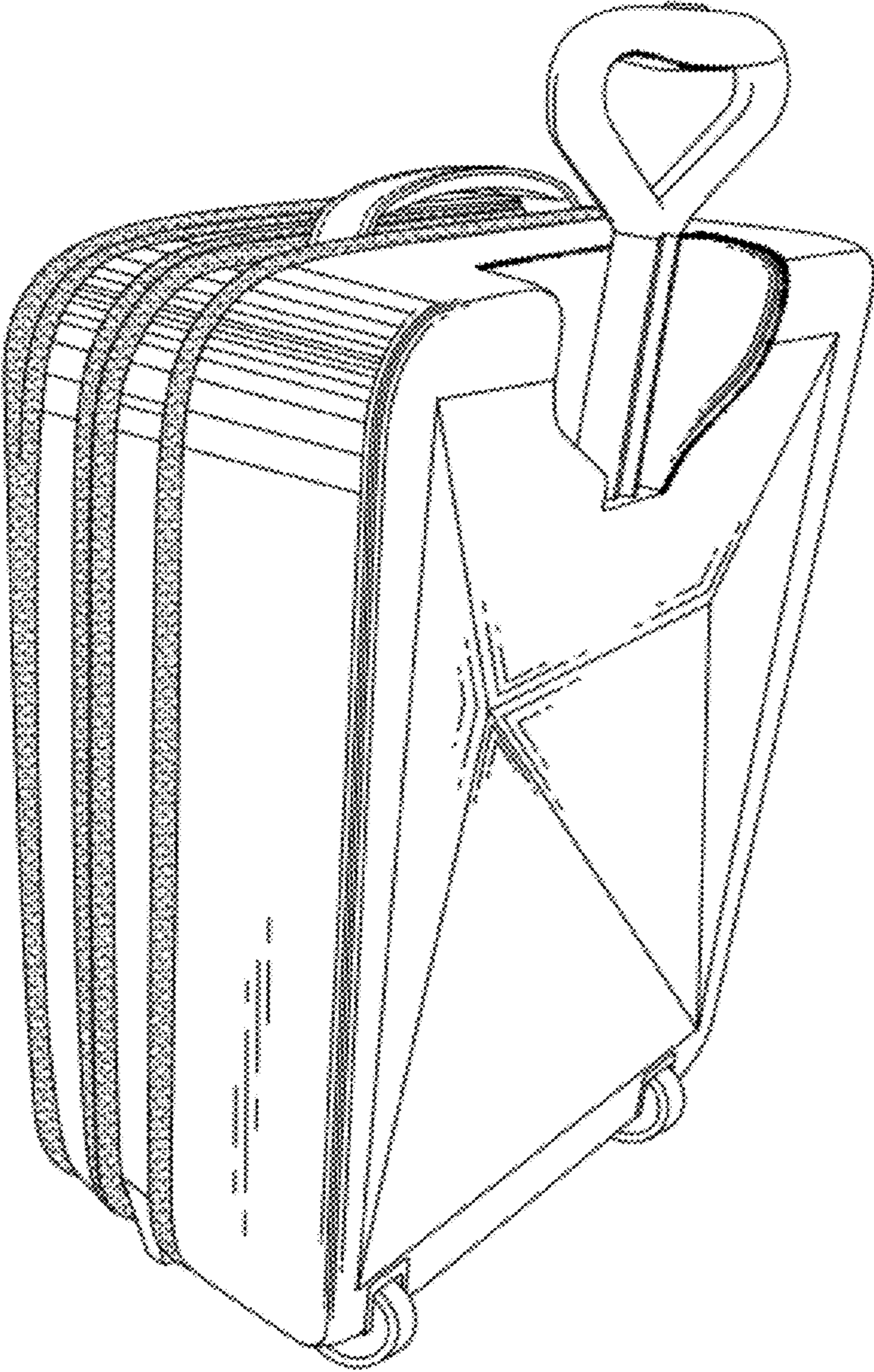


FIG. 4



*FIG. 5*

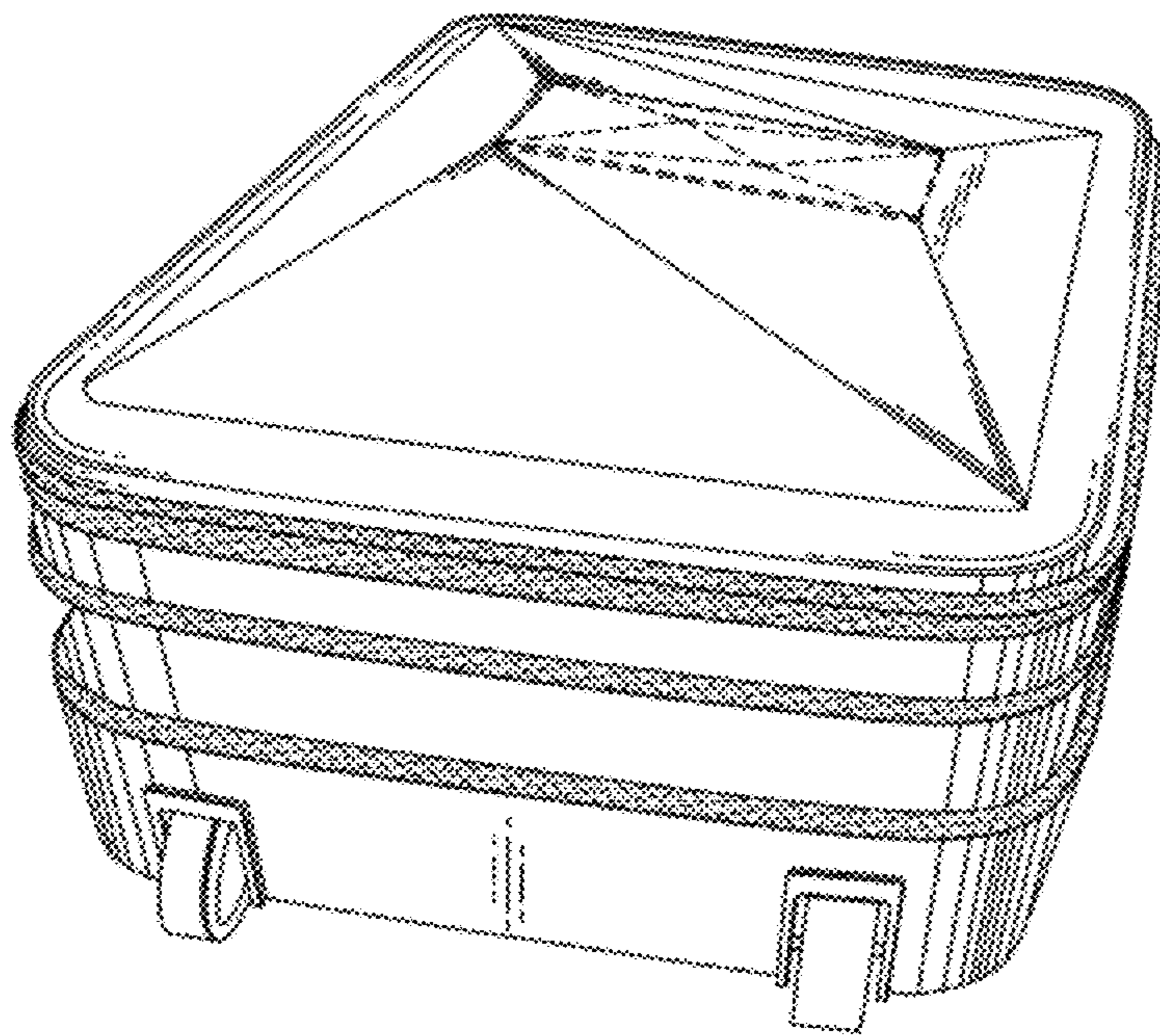


FIG. 6

