



US00D672954S

(12) **United States Design Patent**
Frahm et al.

(10) **Patent No.:** **US D672,954 S**

(45) **Date of Patent:** **** Dec. 25, 2012**

(54) **SERVICE CASE/TOOLBOX**

(75) Inventors: **Soren X. Frahm**, Horsens (DK); **Robert Byriel Riedel**, Horsens (DK)

(73) Assignee: **raaco International A/S** (DK)

(**) Term: **14 Years**

(21) Appl. No.: **29/413,799**

(22) Filed: **Feb. 21, 2012**

(30) **Foreign Application Priority Data**

Aug. 29, 2011 (EM) 001909599-0002

(51) **LOC (9) Cl.** **03-01**

(52) **U.S. Cl.** **D3/276; D3/905**

(58) **Field of Classification Search** 206/349,
206/372-379; 220/523-528, 23.4; D3/273,
D3/276, 280-288, 291-297, 900-905; 211/70.6;
190/115-118

See application file for complete search history.

(56) **References Cited**

U.S. PATENT DOCUMENTS

1,032,047 A * 7/1912 Curd 190/119
D63,167 S * 10/1923 Axelman et al. D3/292

1,817,518 A * 8/1931 Lacher 190/119
D282,411 S * 2/1986 Bomes et al. D3/279
D308,760 S * 6/1990 King D3/292
D439,046 S * 3/2001 Cheng D3/276
D461,051 S * 8/2002 Cheng D3/276
D634,929 S * 3/2011 Bizzell D3/276
D652,170 S * 1/2012 Snow et al. D28/54

* cited by examiner

Primary Examiner — Jennifer Rivard

(74) *Attorney, Agent, or Firm* — St. Onge Steward Johnston & Reens LLC

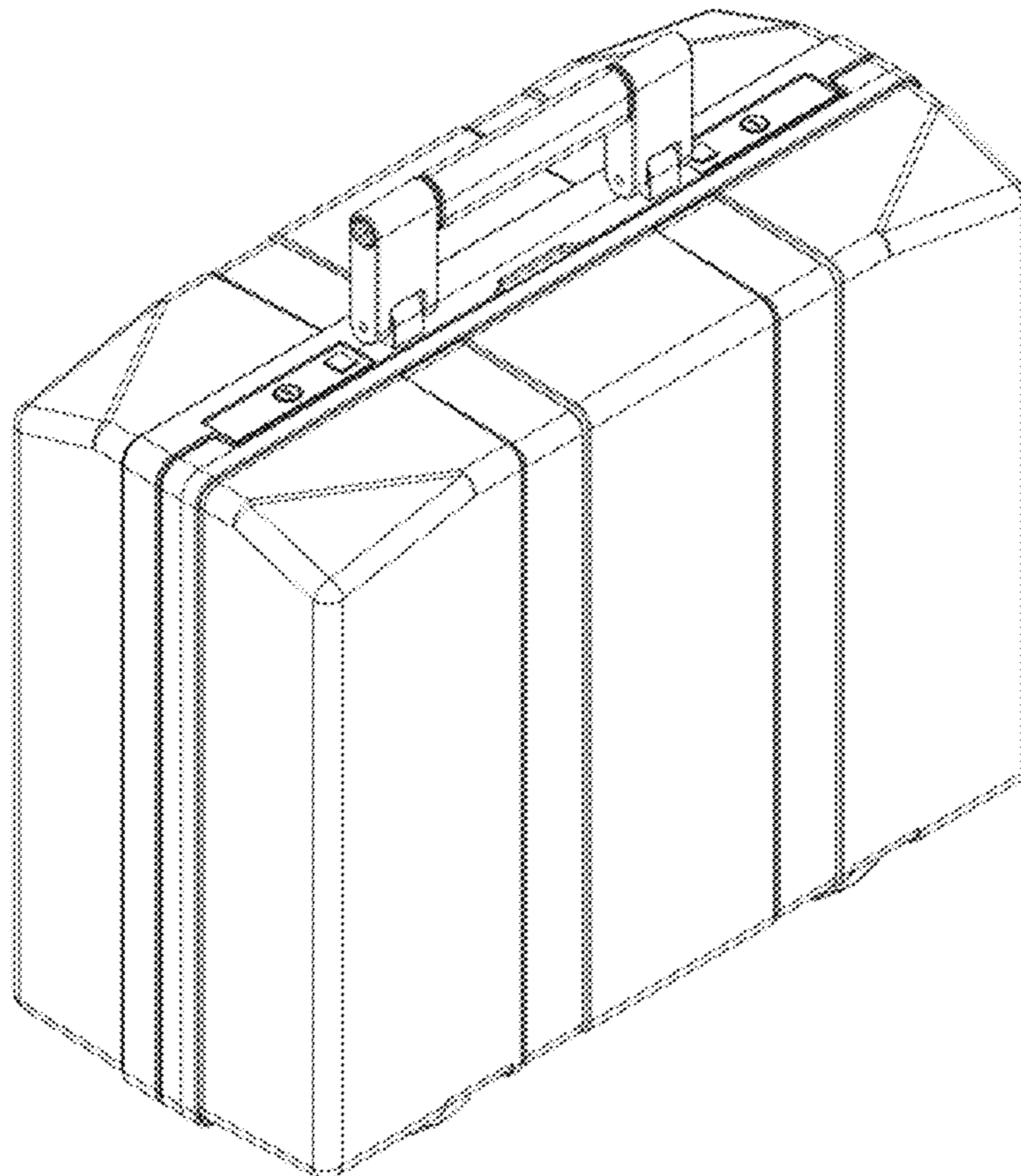
(57) **CLAIM**

The ornamental design for a service case/toolbox, as shown and described.

DESCRIPTION

FIG. 1 is a top, front and right side perspective view of a service case/toolbox in accordance with the new design; FIG. 2 is a right side elevation view thereof; FIG. 3 is a rear elevation view thereof; FIG. 4 is a left side elevation view thereof; FIG. 5 is a front elevation view thereof; FIG. 6 is a top plan view thereof; FIG. 7 is a bottom plan view thereof; and, FIG. 8 is a bottom, rear and left side perspective view thereof.

1 Claim, 8 Drawing Sheets



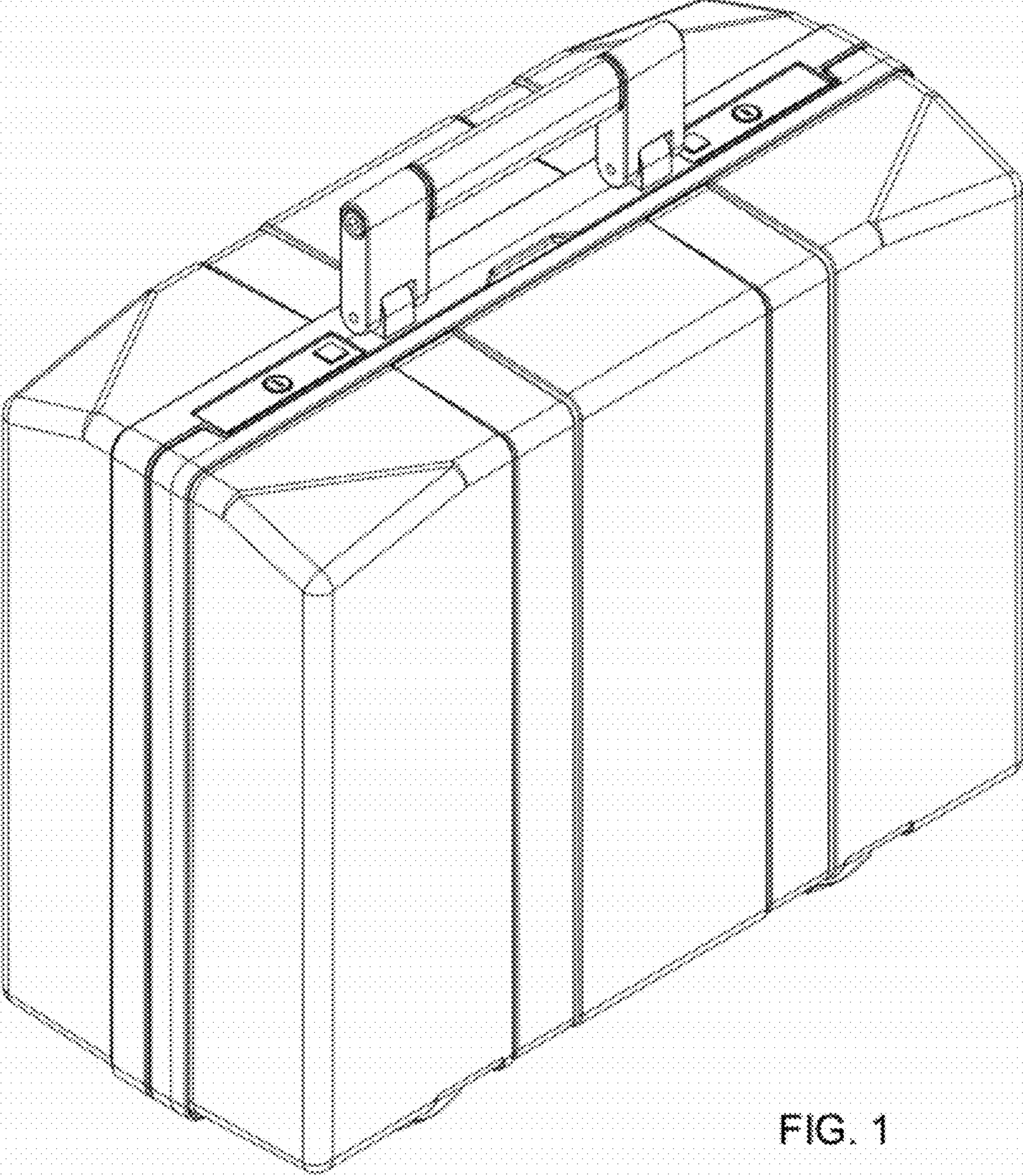


FIG. 1

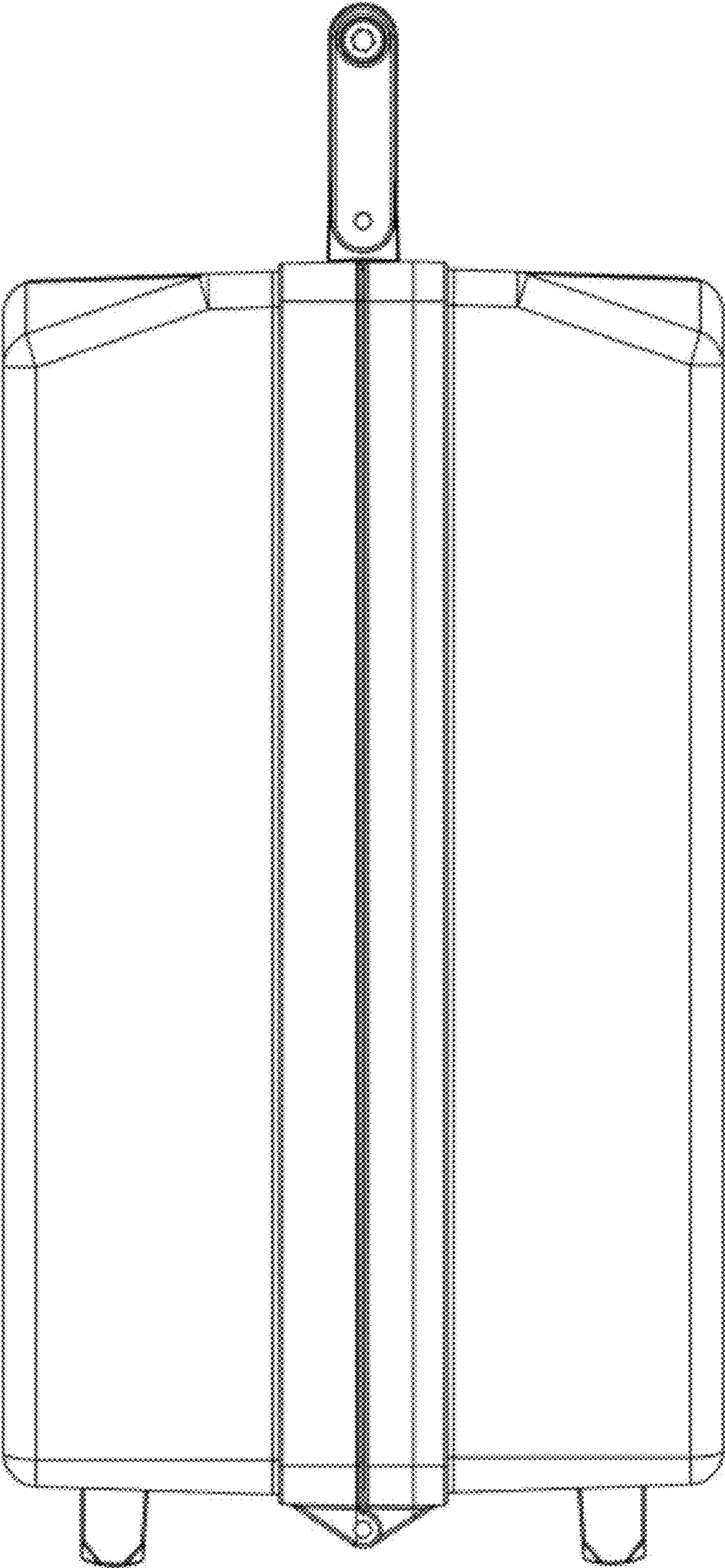


FIG. 2

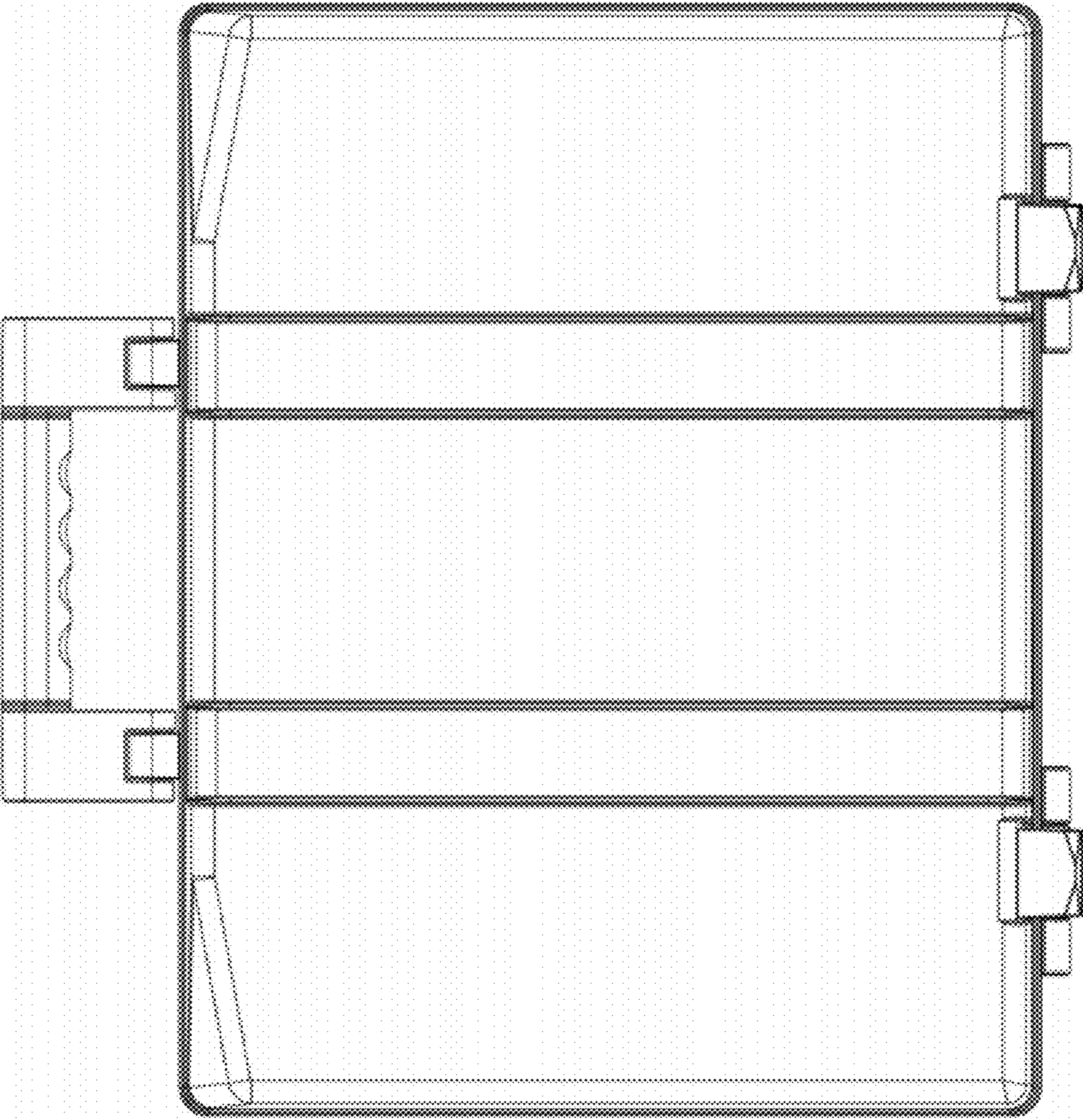


FIG. 3

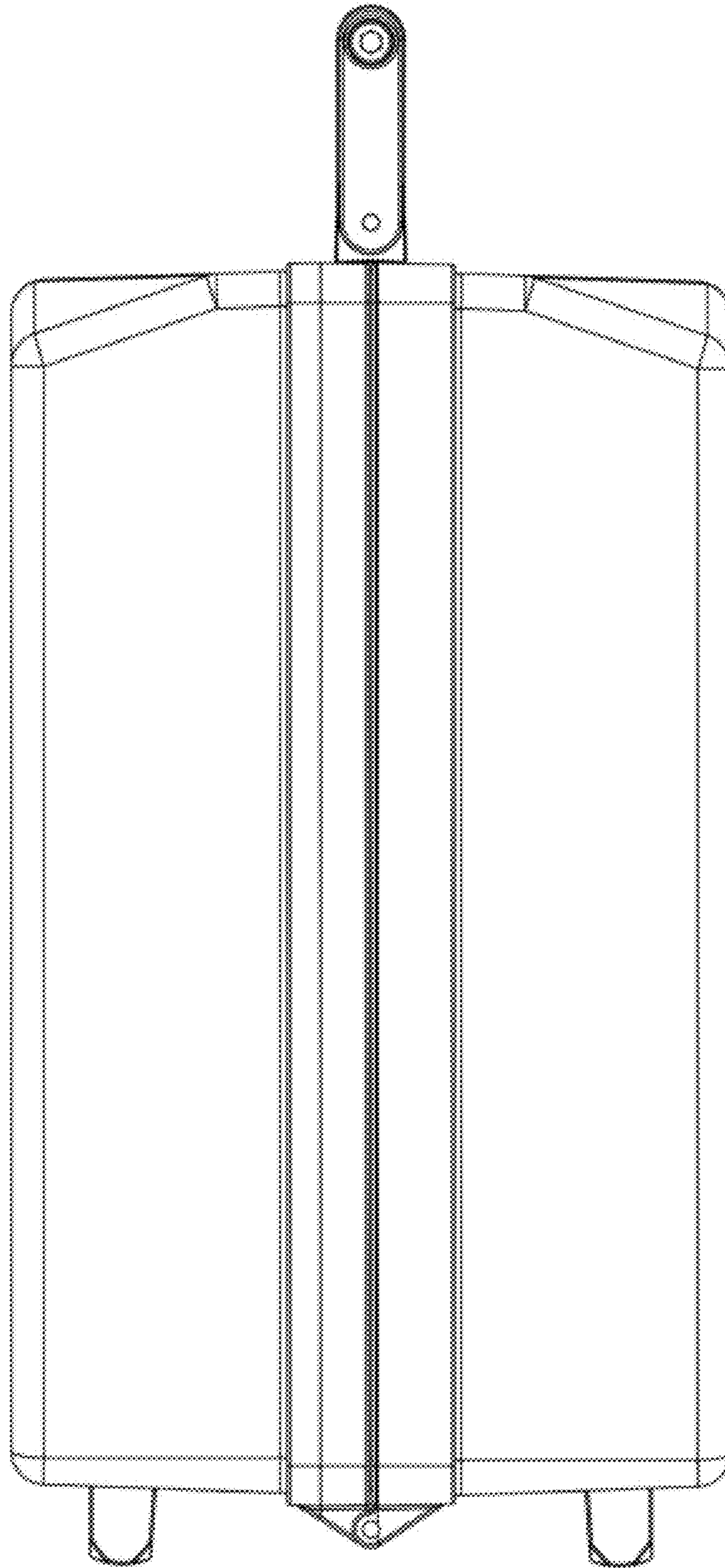


FIG. 4

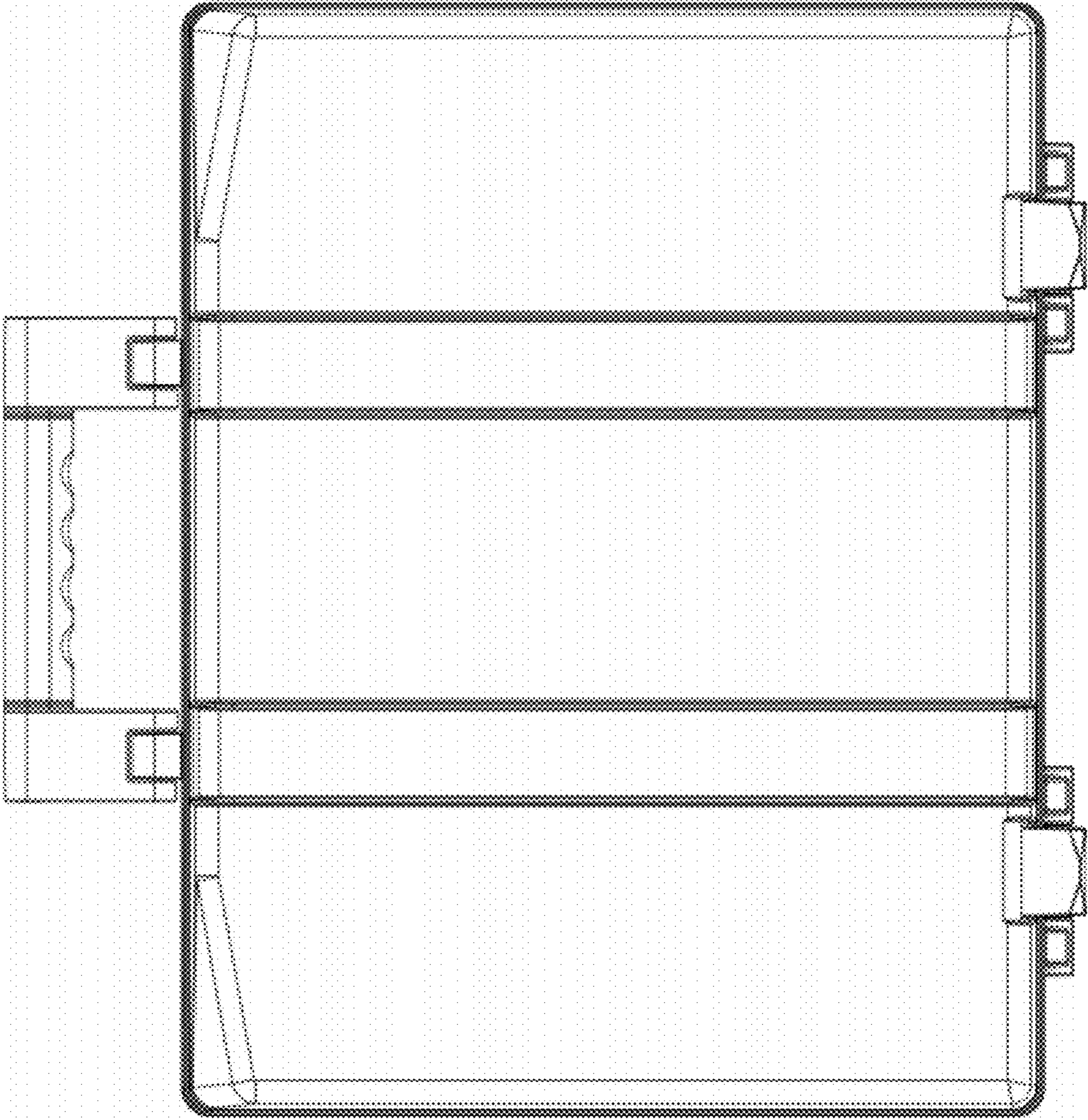


FIG. 5

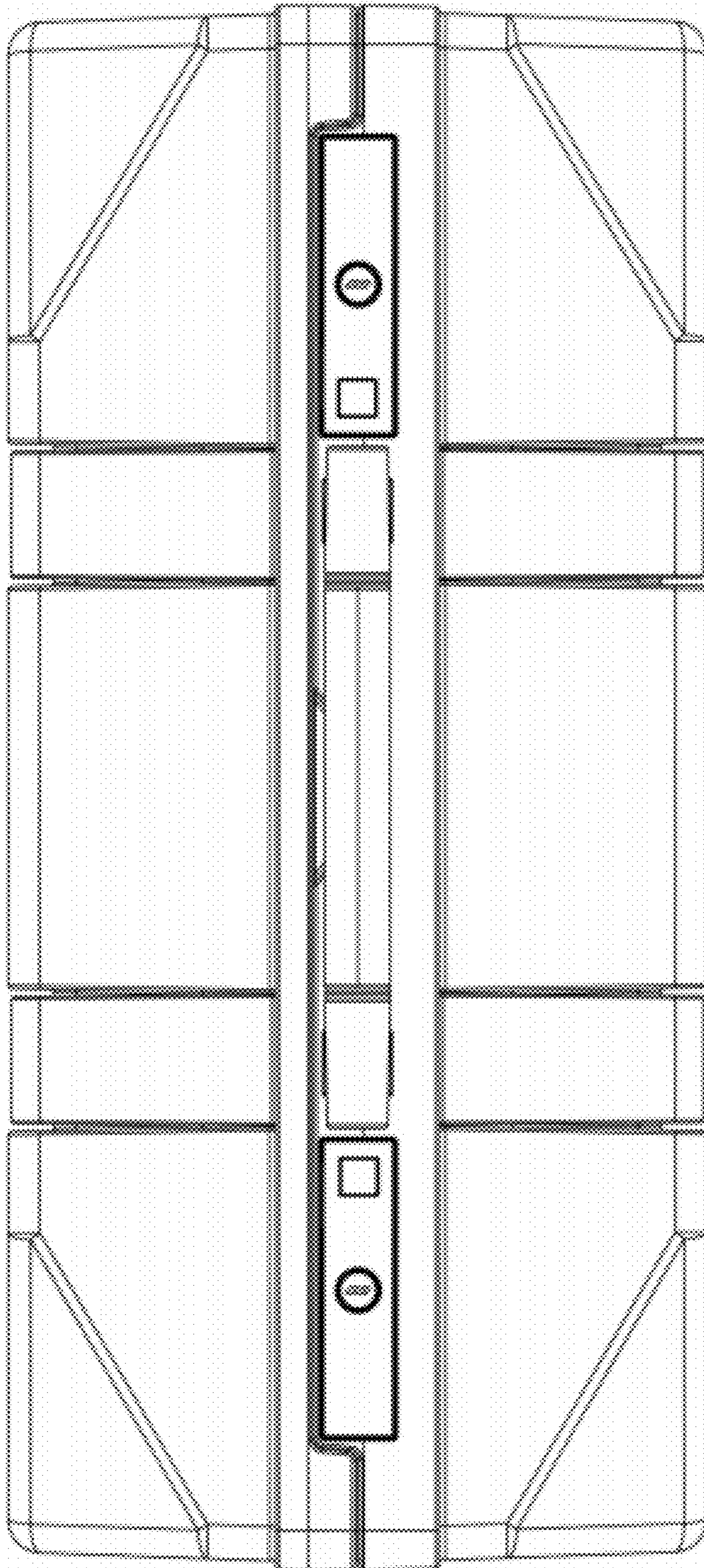


FIG. 6

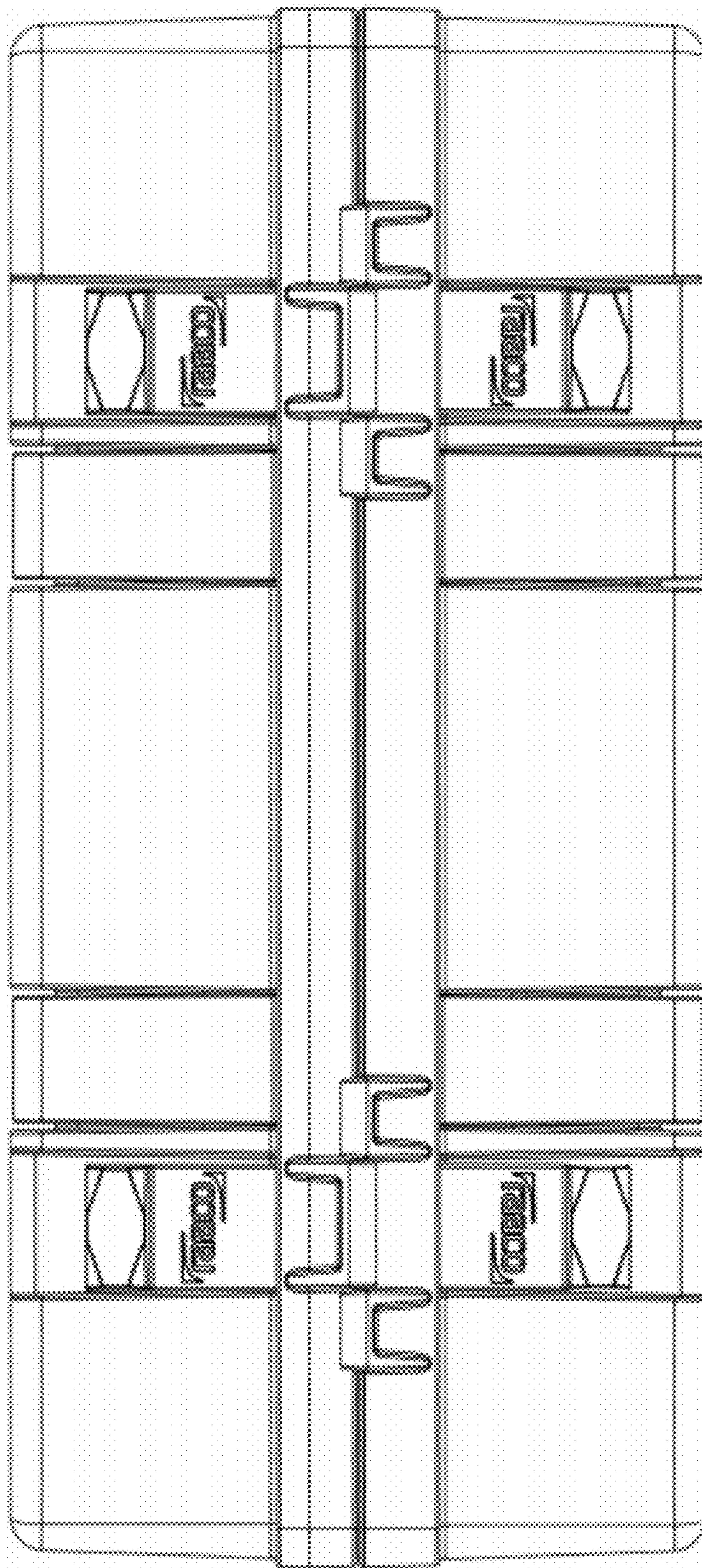


FIG. 7

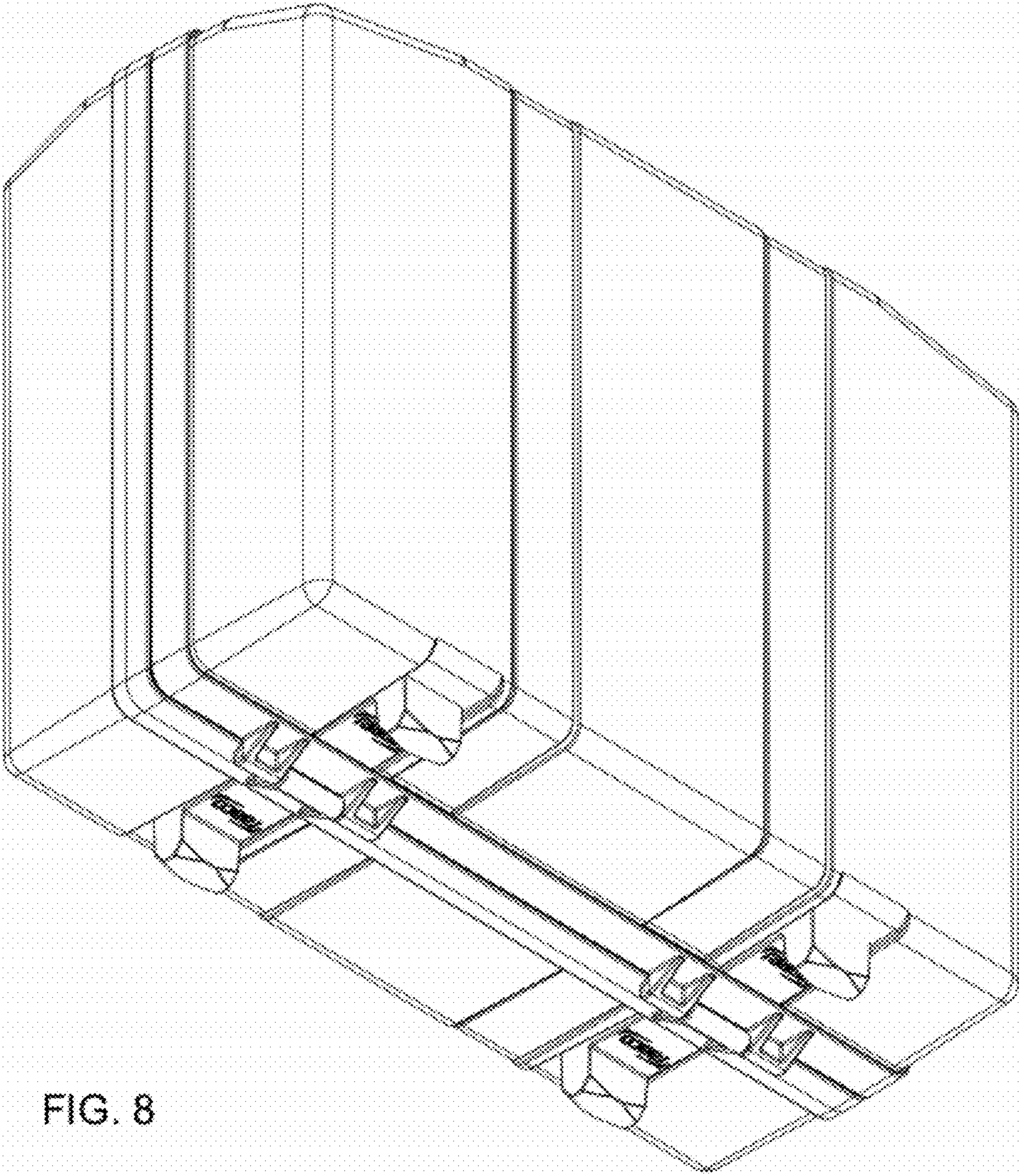


FIG. 8