

US00D672953S

(12) **United States Design Patent**
Lin

(10) **Patent No.:** **US D672,953 S**

(45) **Date of Patent:** **** Dec. 25, 2012**

(54) **TOOLBOX**

(75) Inventor: **Jack Lin**, Taichung (TW)

(73) Assignee: **Yih Cheng Factory Co., Ltd.**, Taichung (TW)

(**) Term: **14 Years**

(21) Appl. No.: **29/415,453**

(22) Filed: **Mar. 9, 2012**

(51) **LOC (9) Cl.** **03-01**

(52) **U.S. Cl.** **D3/274; D3/905; D8/85**

(58) **Field of Classification Search** 206/349,
206/372-379; 220/523-528, 23.4; D3/273,
D3/276, 280-288, 291-297, 900-905, 274;
D8/85; 81/177.4, 490

See application file for complete search history.

(56) **References Cited**

U.S. PATENT DOCUMENTS

| | | | | |
|--------------|---------|------------|-------|--------|
| D281,835 S * | 12/1985 | Ali | | D3/300 |
| D288,985 S * | 3/1987 | Ali et al. | | D3/300 |
| D394,952 S * | 6/1998 | Wei | | D3/273 |
| D396,749 S * | 8/1998 | Ortiz | | D3/284 |
| D415,944 S * | 11/1999 | Chung | | D8/85 |
| D415,946 S * | 11/1999 | Tsai | | D8/107 |

| | | | | |
|-------------------|--------|------------------|-------|----------|
| D419,298 S * | 1/2000 | Bramsiepe et al. | | D3/273 |
| 7,182,002 B2 * | 2/2007 | Hu | | 81/177.4 |
| 7,374,042 B2 * | 5/2008 | Liu | | 206/372 |
| 7,562,606 B2 * | 7/2009 | Grand et al. | | 81/177.4 |
| D659,397 S * | 5/2012 | Deguglimo et al. | | D3/302 |
| 2009/0152150 A1 * | 6/2009 | Kernodle, Jr. | | 206/379 |
| 2009/0236250 A1 * | 9/2009 | Wang | | 206/372 |
| 2010/0108552 A1 * | 5/2010 | Scrimshaw et al. | | 206/379 |
| 2011/0226648 A1 * | 9/2011 | Zhang | | 206/374 |

* cited by examiner

Primary Examiner — Jennifer Rivard

(57) **CLAIM**

I claim the ornamental design for a toolbox, as shown and described.

DESCRIPTION

FIG. 1 is a perspective view of a toolbox, showing my new design;

FIG. 2 is a front elevational view thereof;

FIG. 3 is a rear elevational view thereof;

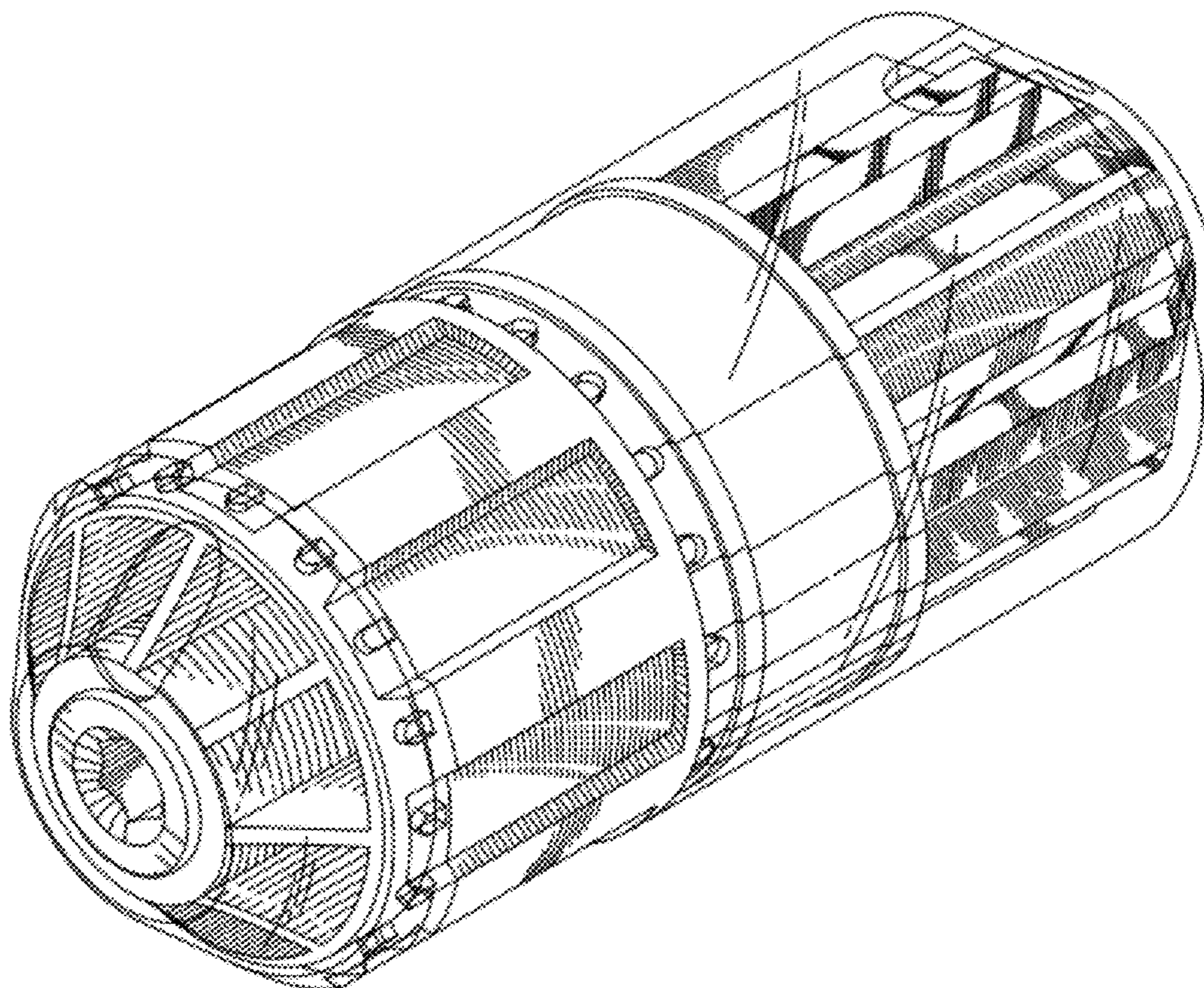
FIG. 4 is a left side elevational view thereof;

FIG. 5 is a right side elevational view thereof;

FIG. 6 is a top plan view thereof; and,

FIG. 7 is a bottom plan view thereof.

1 Claim, 6 Drawing Sheets



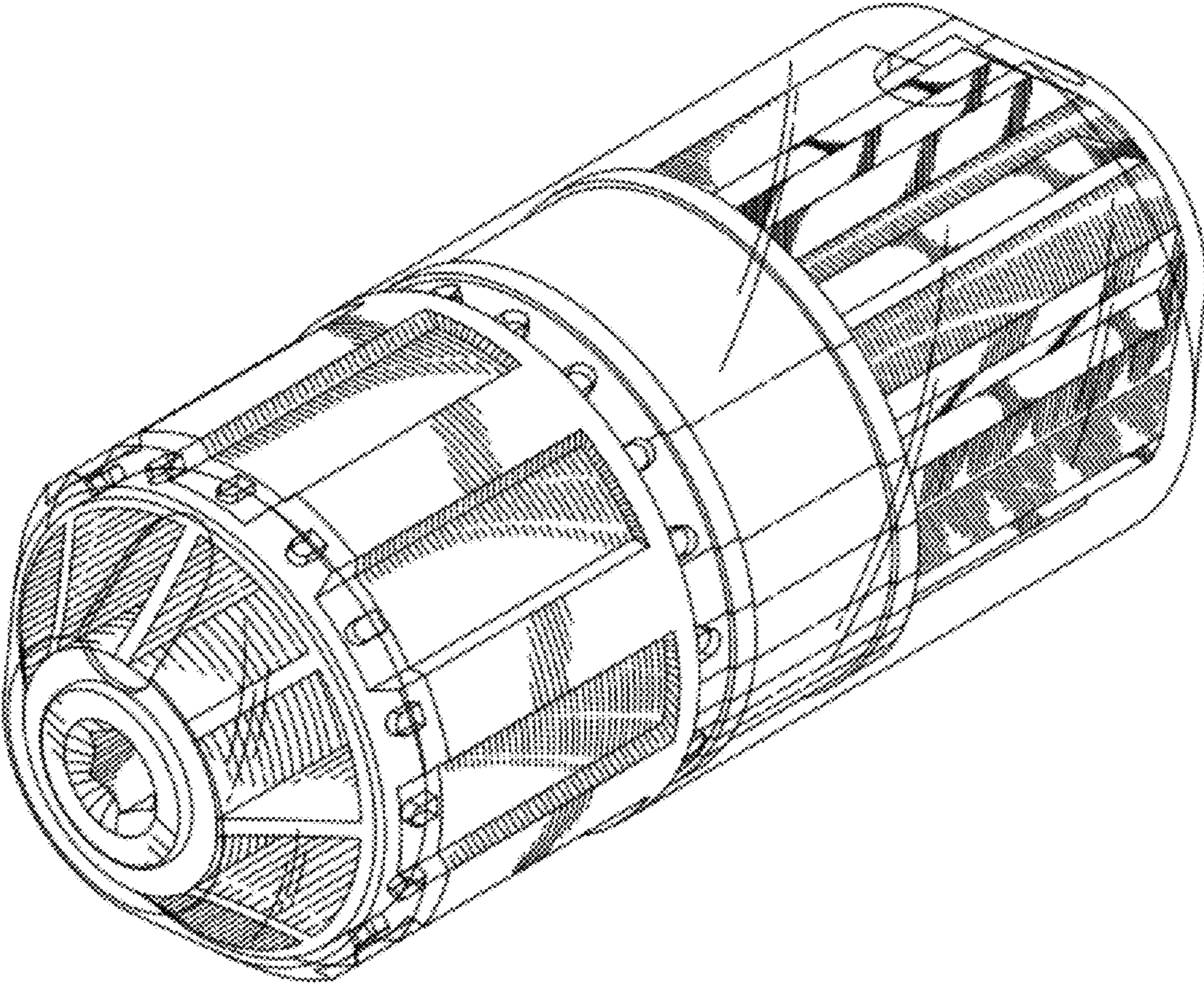


FIG. 1

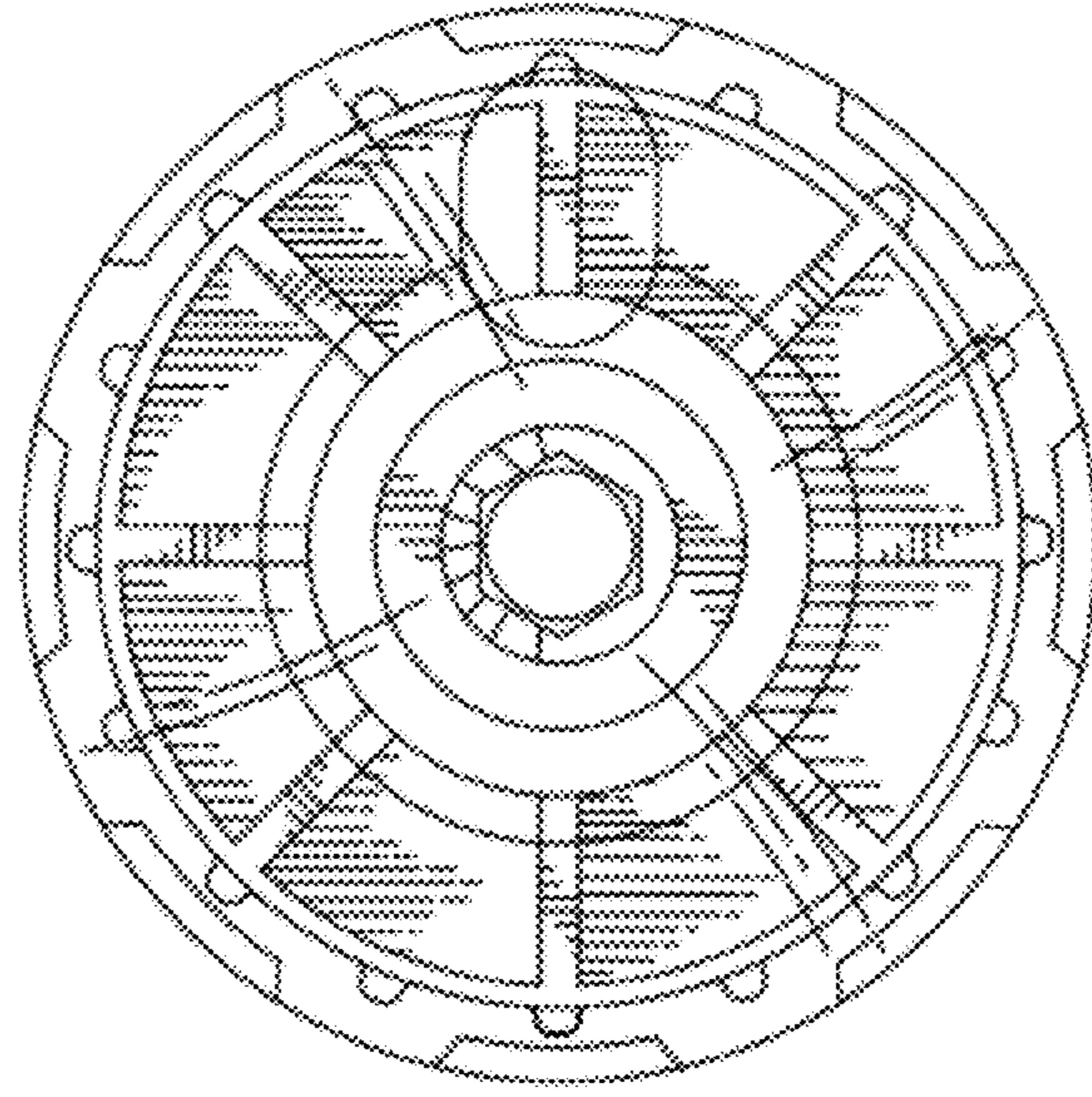


FIG. 2

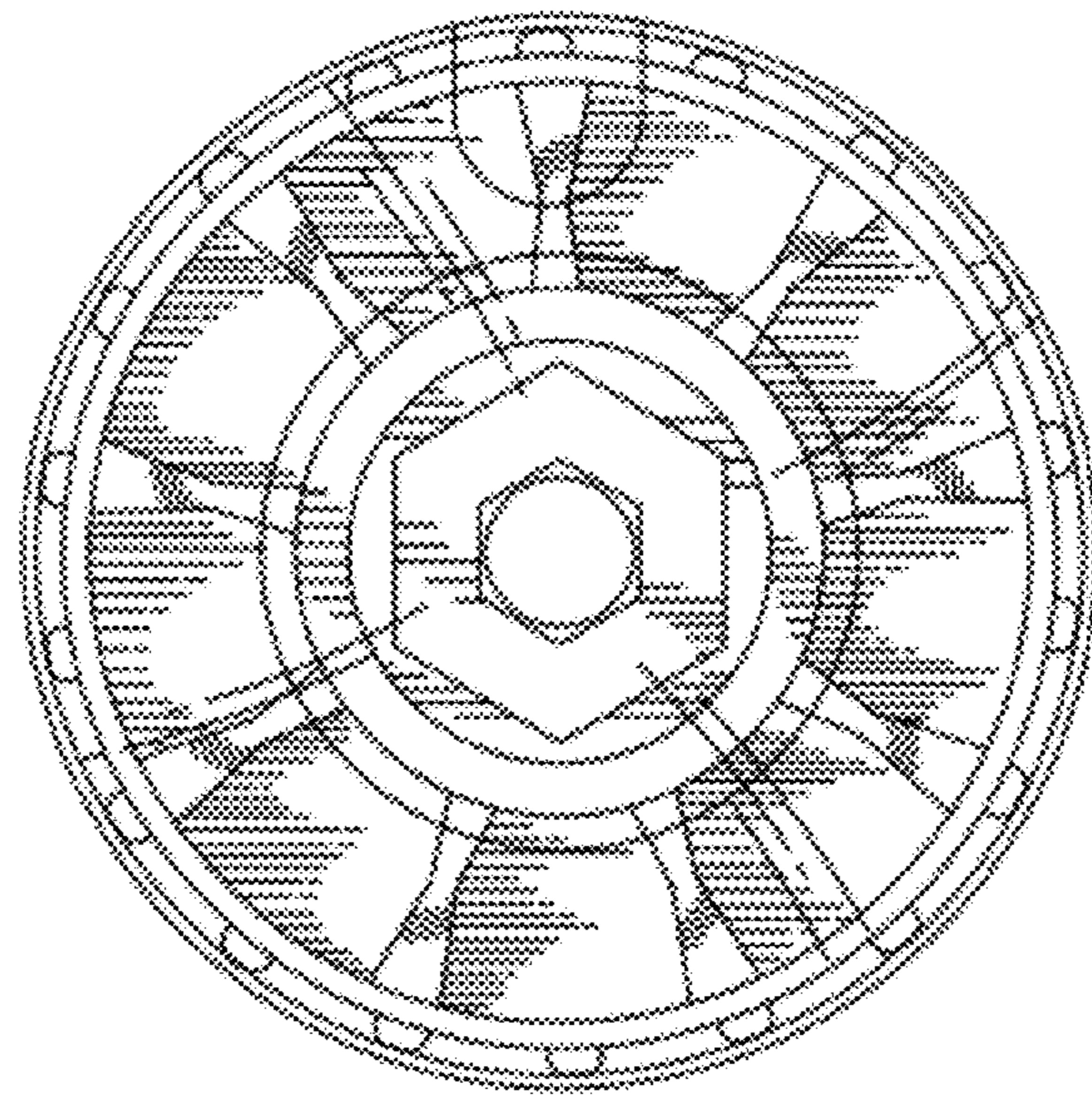


FIG. 3

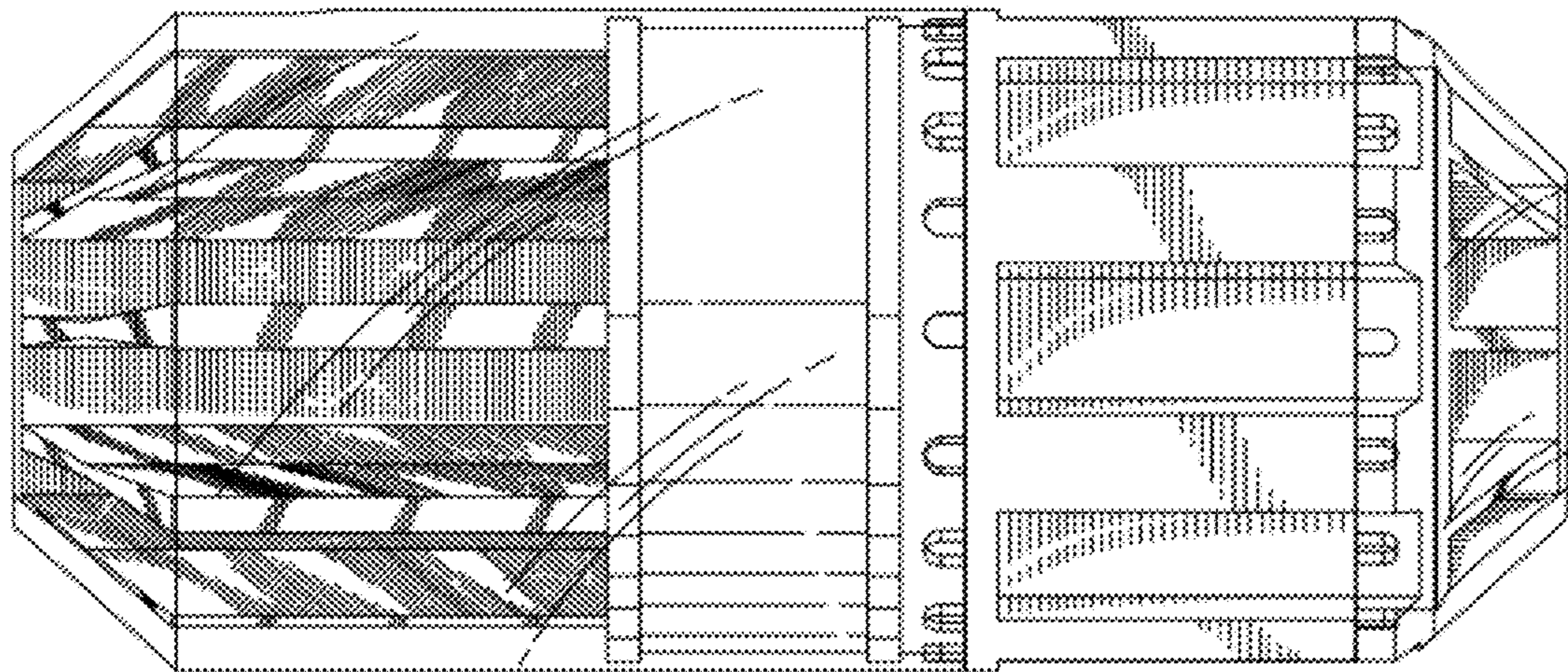


FIG. 4

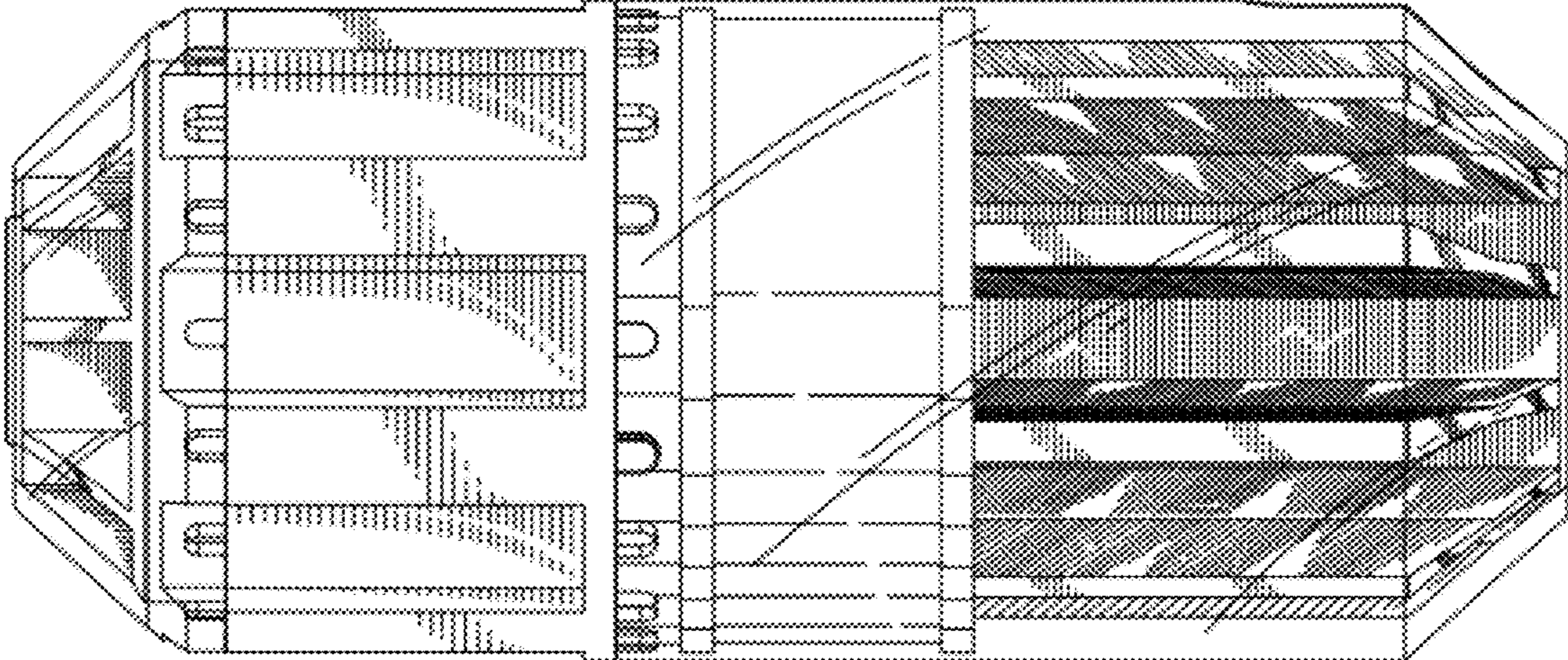


FIG. 5

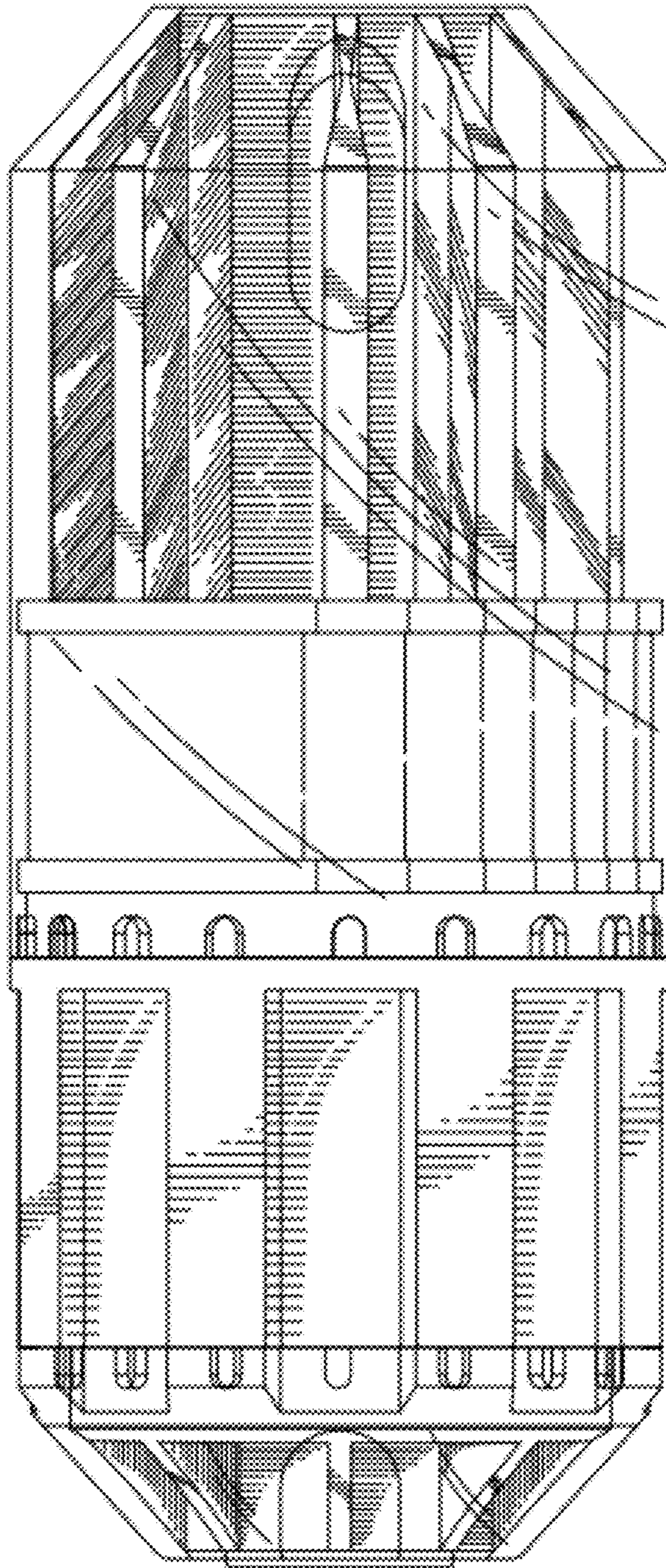


FIG. 6

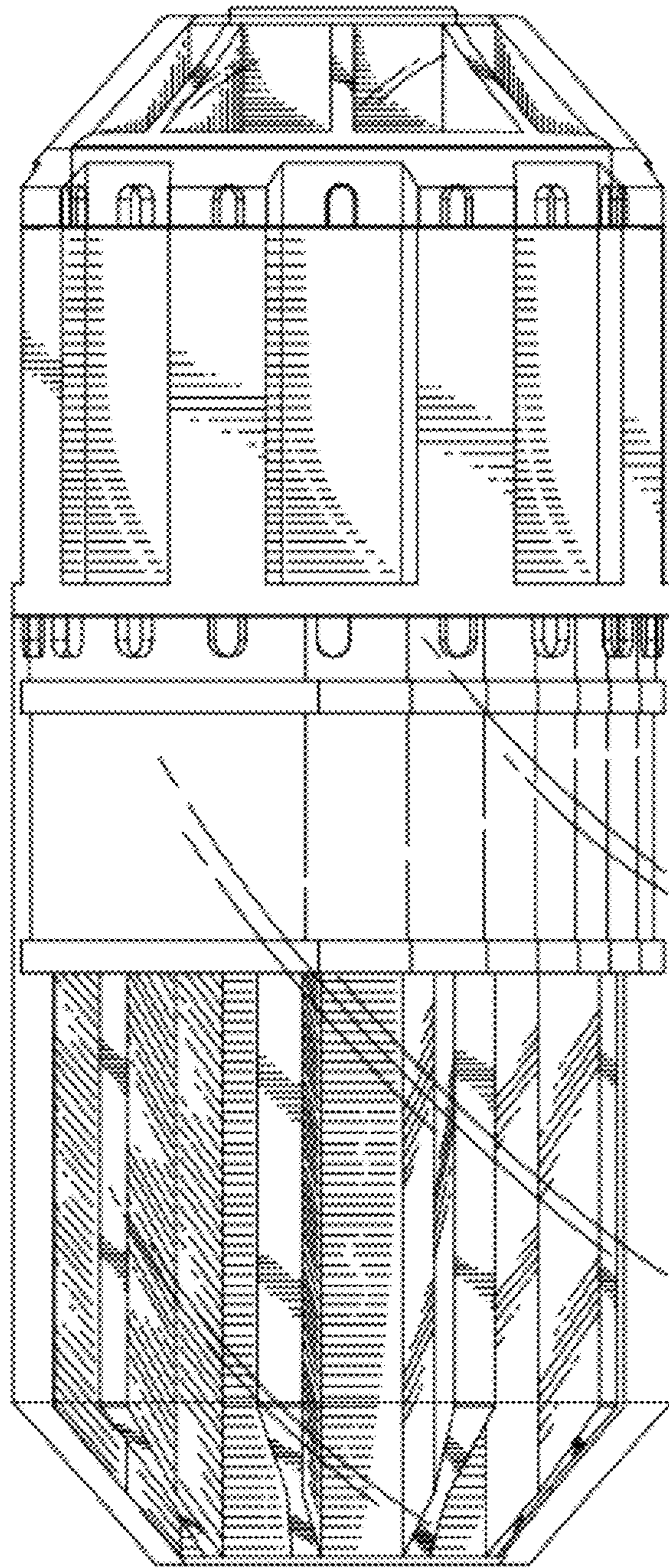


FIG. 7