



US00D672932S

(12) **United States Design Patent**  
**Fredendall et al.**

(10) **Patent No.:** **US D672,932 S**  
(45) **Date of Patent:** **\*\* Dec. 18, 2012**

(54) **SHOPPING CART COMPONENT**

(75) Inventors: **Jonathon A. Fredendall**, Buffalo, MN (US); **John Robert Ebling**, Northfield, MN (US); **Jay Robert Stemler**, Elk River, MN (US); **Gary Robert Ebling**, Northfield, MN (US)

(73) Assignee: **Retail Design Services, LLC**, Northfield, MN (US)

(\*\*) Term: **14 Years**

(21) Appl. No.: **29/406,240**

(22) Filed: **Nov. 10, 2011**

(51) **LOC (9) Cl.** ..... **12-02**

(52) **U.S. Cl.** ..... **D34/27**

(58) **Field of Classification Search** ..... D34/12-27;  
280/33.992, 33.991, 33.99, 47.34, 79.11  
See application file for complete search history.

(56) **References Cited**

**U.S. PATENT DOCUMENTS**

3,019,953	A	2/1962	Umanoff	
3,309,100	A	3/1967	Barbuti	
D263,456	S	3/1982	Muellner	
4,765,644	A *	8/1988	Bell	280/641
D319,906	S	9/1991	Takahashi	
5,649,718	A *	7/1997	Groglio	280/641
6,098,998	A	8/2000	Ondrasik	
D444,281	S	6/2001	Gaze et al.	
D444,927	S *	7/2001	Lin	D32/37
6,406,041	B1	6/2002	Rea	
6,932,363	B2	8/2005	D'Angelo	
D525,758	S *	7/2006	Lynch	D34/12
D540,998	S	4/2007	Splain et al.	
D550,423	S *	9/2007	Splain et al.	D34/12
7,407,169	B2	8/2008	Splain	
D649,732	S *	11/2011	Muscara	D34/17
2001/0035618	A1	11/2001	DeCost	
2002/0074753	A1	6/2002	Thalhofer et al.	
2005/0067801	A1	3/2005	Copland	

2007/0210541 A1 9/2007 Johnson  
2008/0211200 A1 9/2008 Eberlein  
2009/0315300 A1 12/2009 Stiba

**OTHER PUBLICATIONS**

Michael Daehn, "The Importance of Shopping Carts," obtained from <http://marketingenious.terapad.com>, published Dec. 10, 2008, printed Jul. 1, 2011, 7 pages.

Sears shopping cart, obtained from [www.prioritydesigns.com](http://www.prioritydesigns.com), copyright 2007-2011, printed Oct. 13, 2011, 7 pages.

EXpress6000—Retail Metal Shopping Cart, obtained from [www.versacart.com/express6000.php](http://www.versacart.com/express6000.php), copyright 2008, printed Nov. 8, 2011, 1 page.

Claire Erickson, "My Latest Project," published at [www.ericksoncl.wordpress.com/2010/05/14/my-latest-project/](http://www.ericksoncl.wordpress.com/2010/05/14/my-latest-project/), posted May 14, 2010, printed Nov. 8, 2011, 1 page.

Sunrise Trolley Manufacturers, Products, obtained from [www.indiamart.com/sunrise-trolley-mfg/products.html](http://www.indiamart.com/sunrise-trolley-mfg/products.html), printed Nov. 10, 2011, 9 pages.

(Continued)

*Primary Examiner* — Cynthia Ramirez

(74) *Attorney, Agent, or Firm* — James L. Young; Westman, Champlin & Kelly, P.A.

(57) **CLAIM**

The ornamental design for a shopping cart component, as shown and described.

**DESCRIPTION**

FIG. 1 is an isometric view of a shopping cart component; FIG. 2 is an end view thereof, as taken from the left end of FIG. 1;

FIG. 3 is a end view thereof, as taken from the right end of FIG. 1;

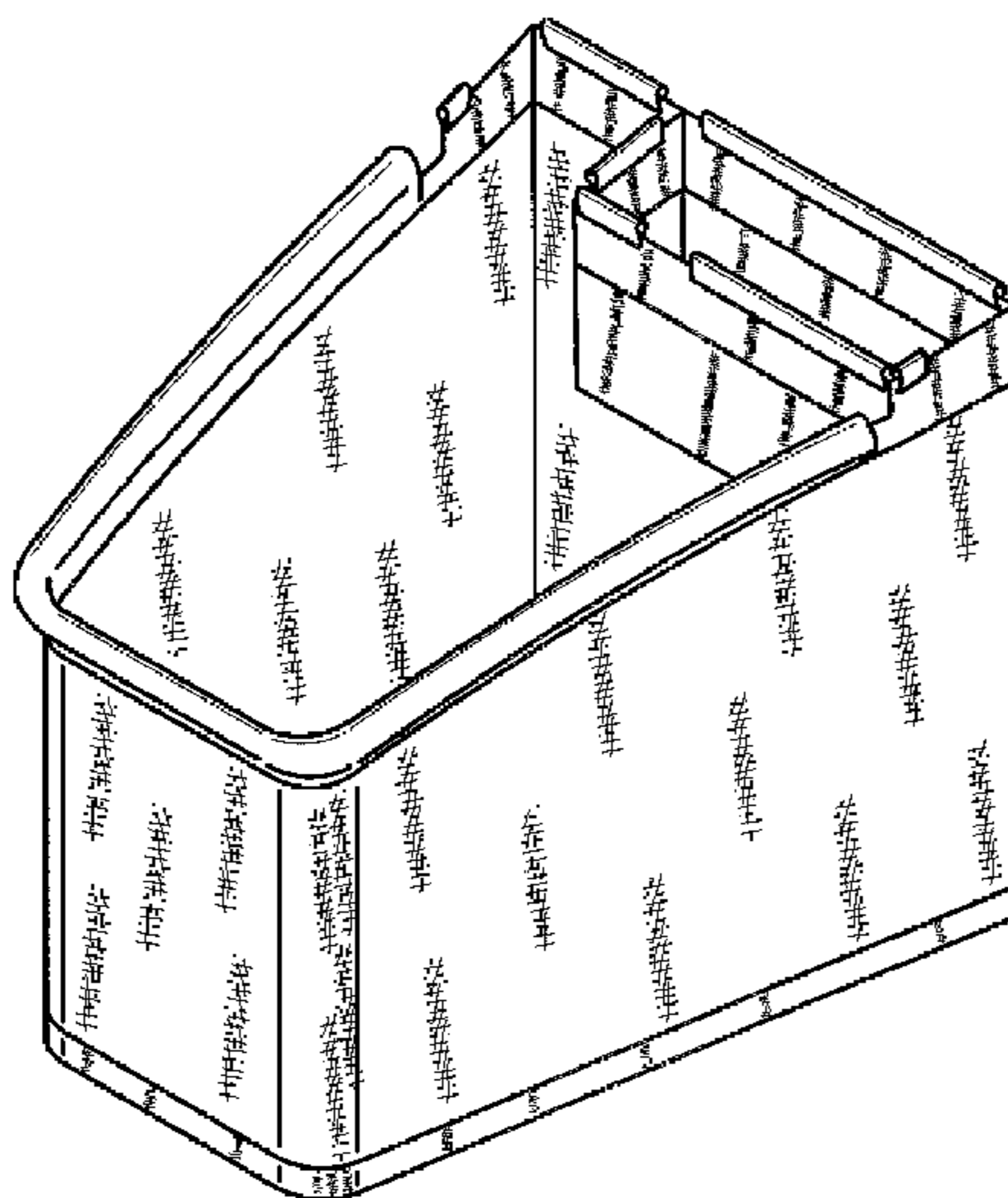
FIG. 4 is a left side view thereof;

FIG. 5 is a right side view thereof (the side views are mirror images of one another);

FIG. 6 is a top view thereof; and,

FIG. 7 is a bottom view thereof.

**1 Claim, 3 Drawing Sheets**



OTHER PUBLICATIONS

Paul Rako, "Build a goofy shopping cart, and the media will beat a path to your door," published at [www.rako.com/Diamond/28.html](http://www.rako.com/Diamond/28.html), dated May 21, 2011, printed Nov. 10, 2011, 4 pages.

"Ideo Shopping Trolley," The Retail Experience Project, published at <http://retailsingapore.wordpress.com/2011/10/16/ideo-shopping-trolley/>, post Oct. 16, 2011, print May 25, 2012, 2 pgs.

"Ideo Shopping Trolley," Design Against Crime, pp. 24-28 and 1 photo page, published at <http://extra.shu.ac.uk/dac/ideo.pdf>, obtained Nov. 2011.

"Standard Consumer Safety Performance Specification for Shopping Carts," ASTM International, W. Conshohocken, PA, US; Designation: F 2372-04, Jul. 2004, 13 pages.

\* cited by examiner

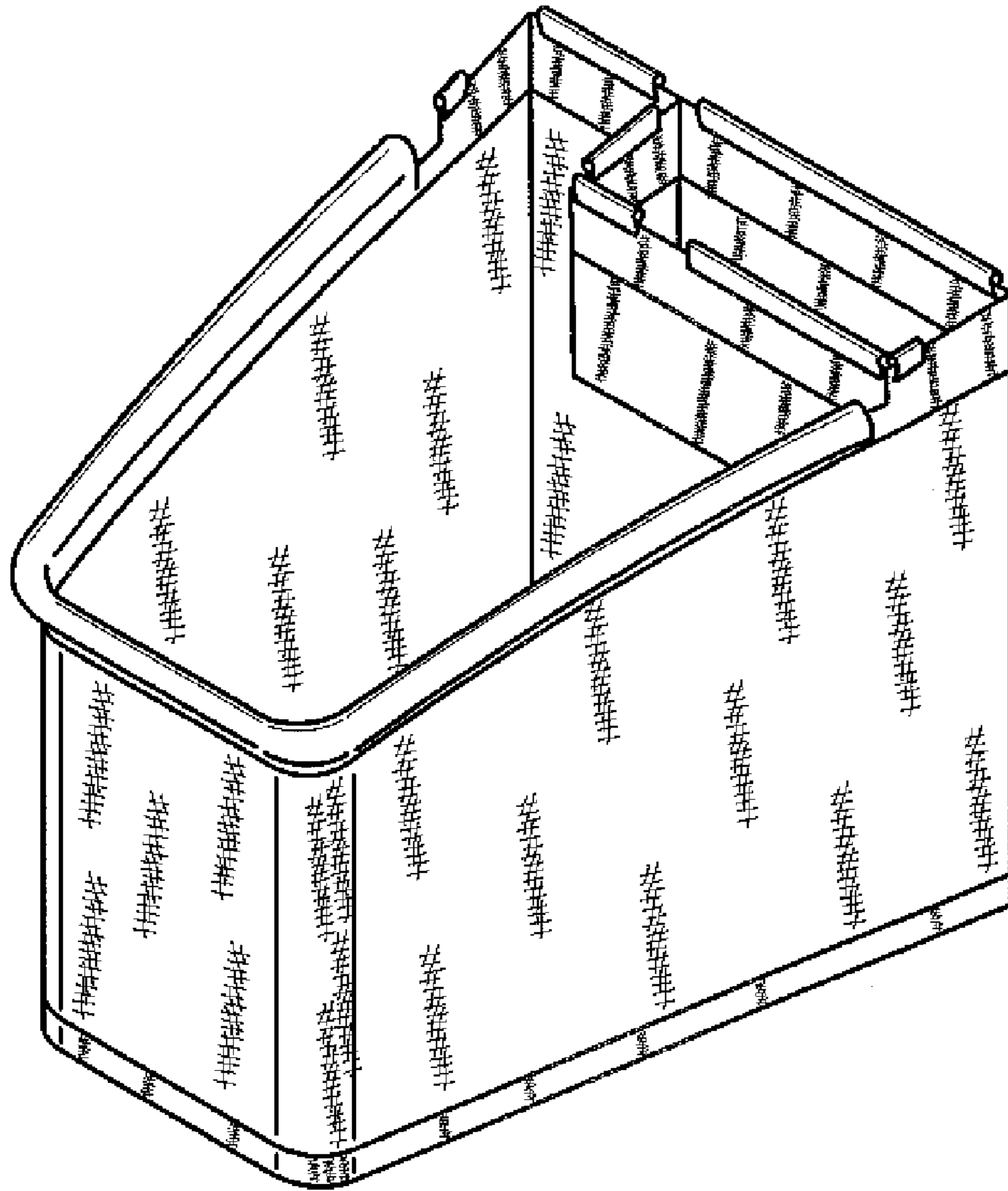


FIG. 1

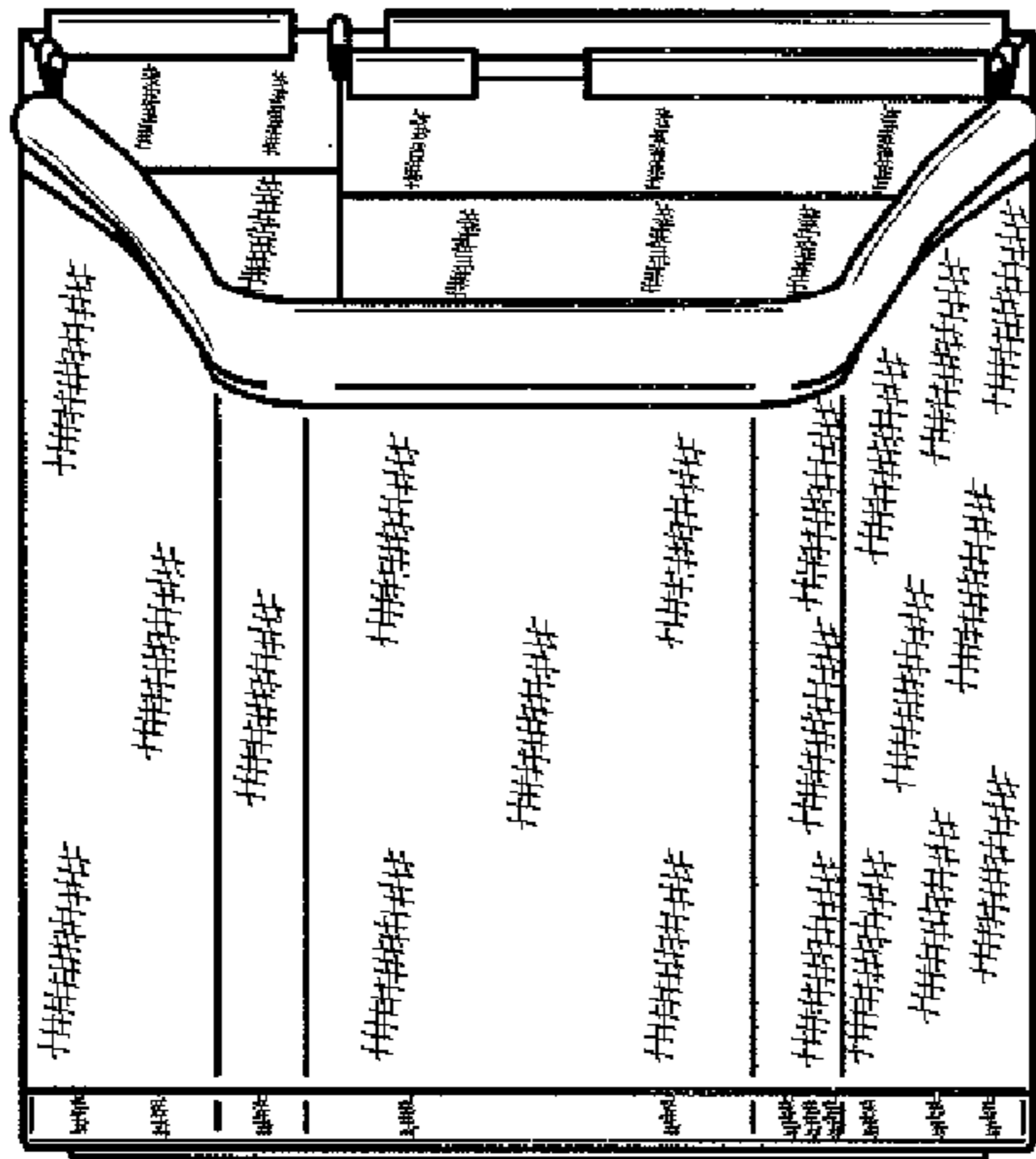


FIG. 2

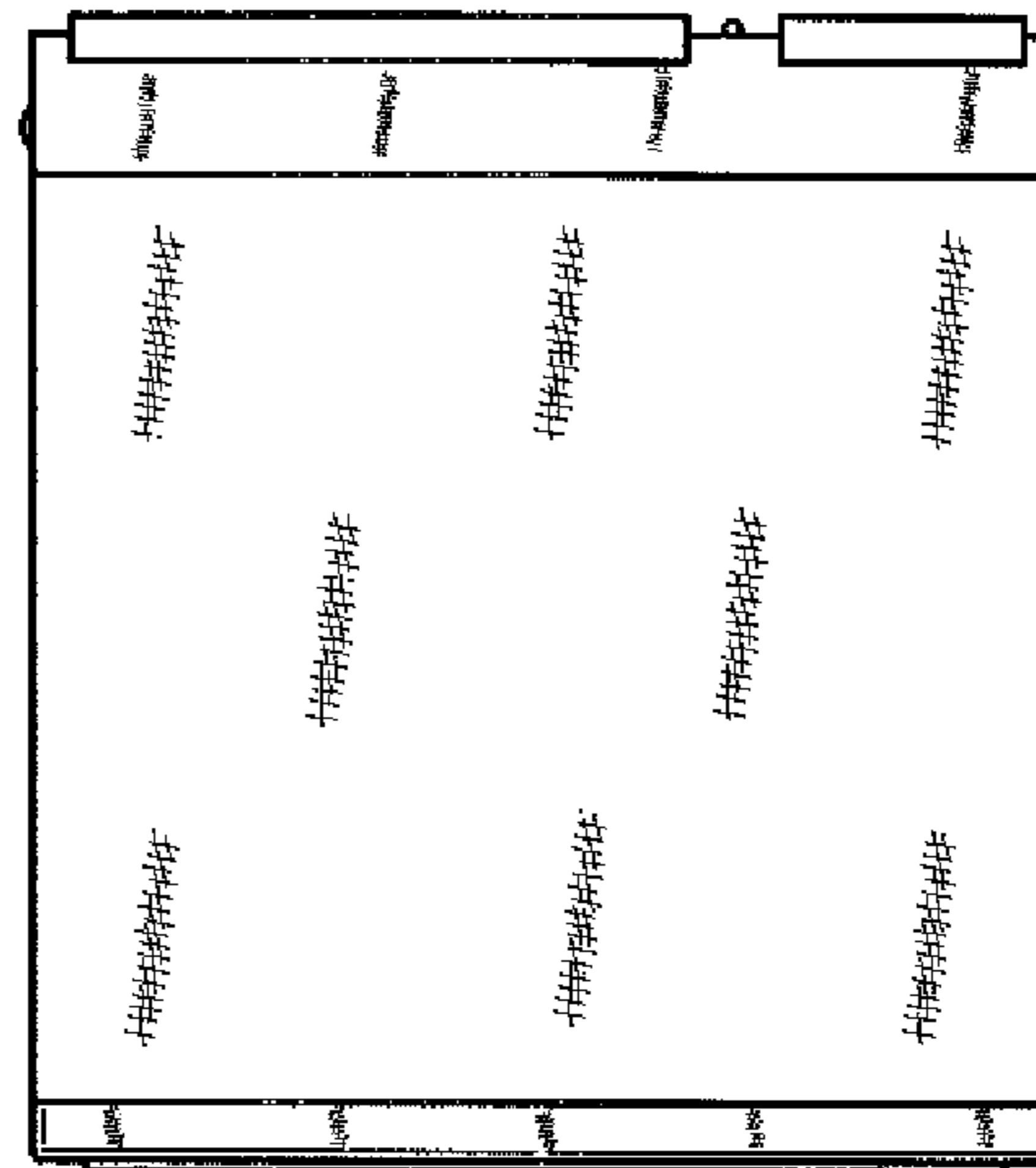


FIG. 3

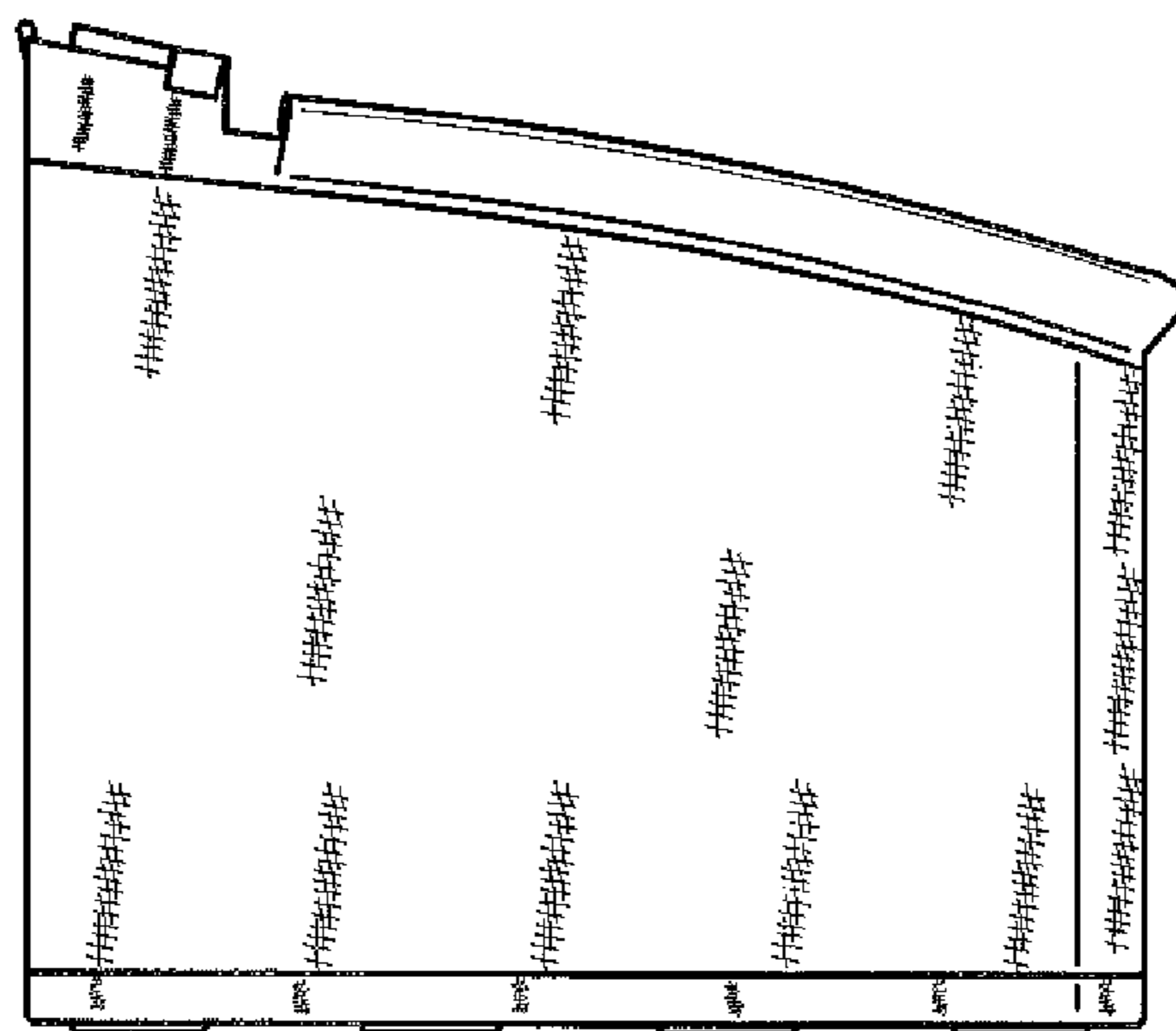


FIG. 4

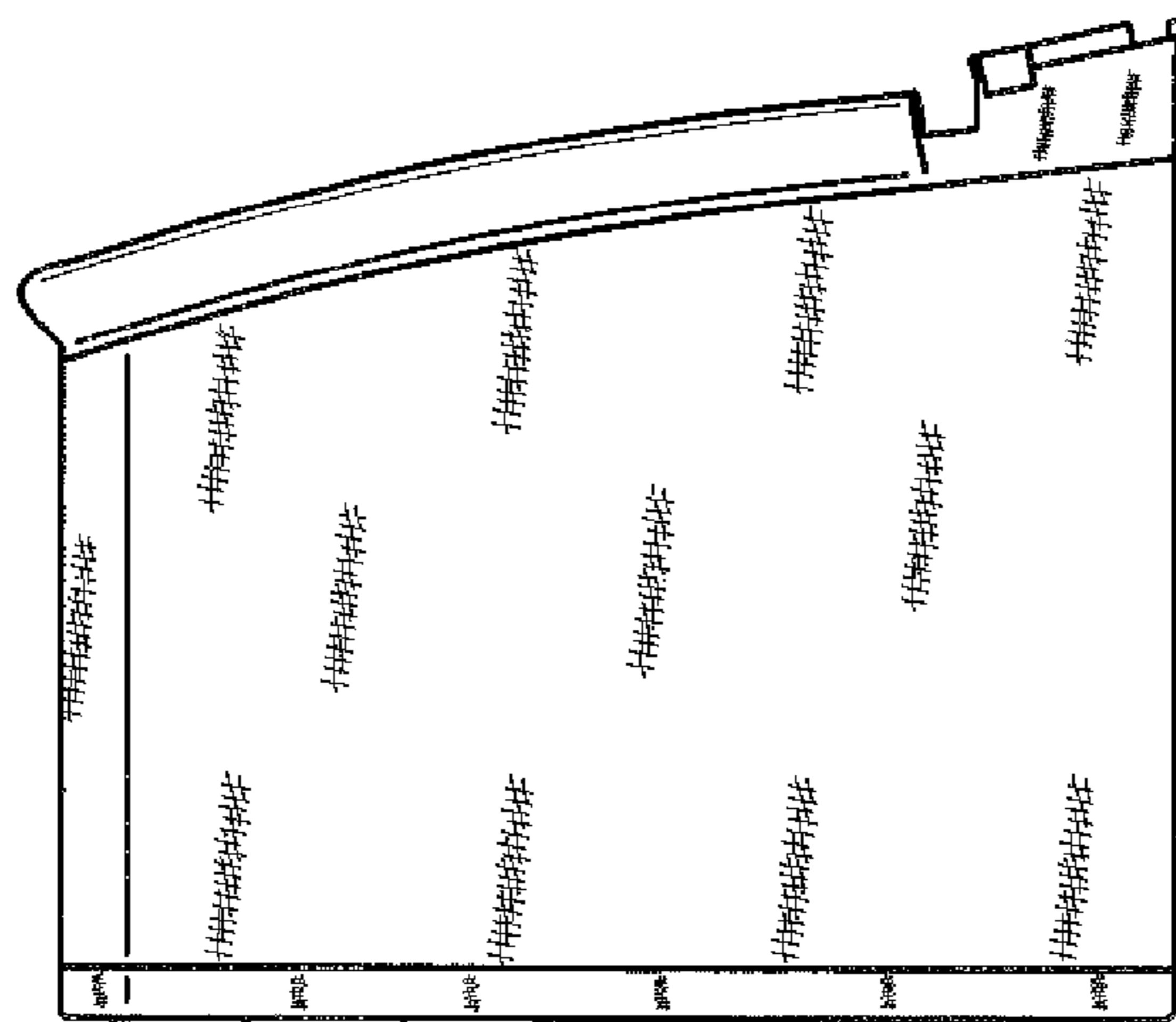


FIG. 5

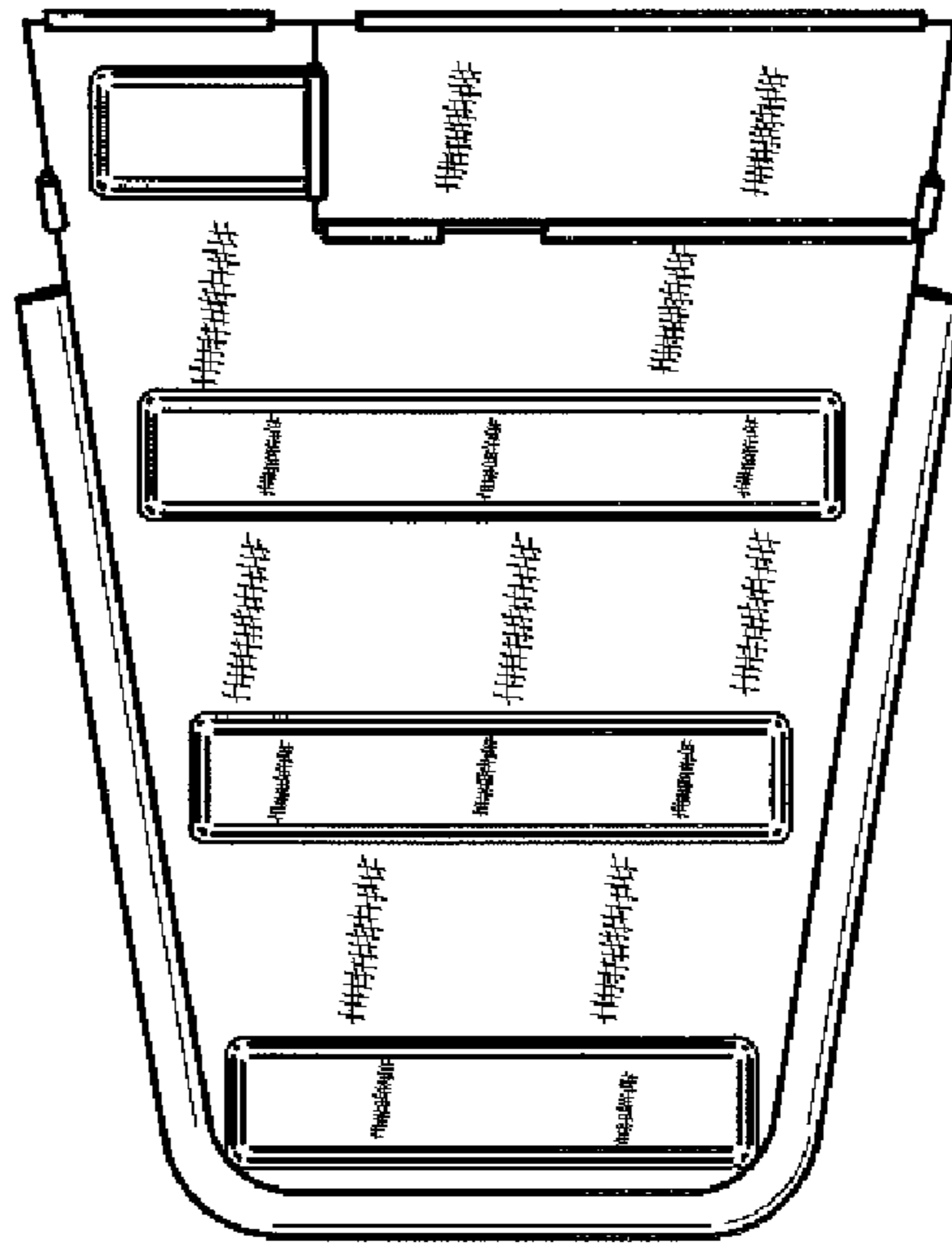


FIG. 6

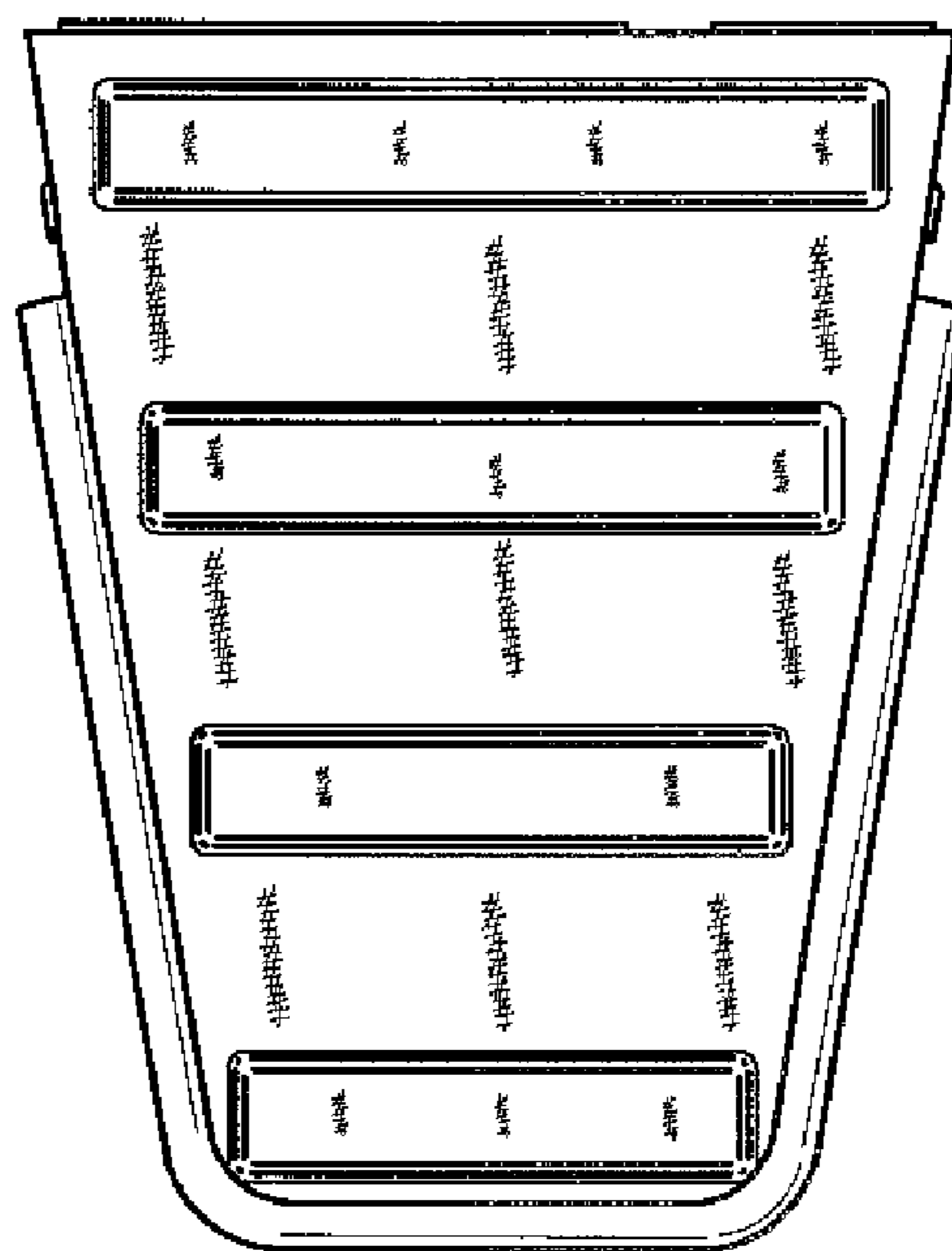


FIG. 7