



US00D672930S

(12) **United States Design Patent**
Van Landingham, Jr. et al.

(10) **Patent No.:** **US D672,930 S**
(45) **Date of Patent:** **** Dec. 18, 2012**

(54) **MOP FRAME**

4,815,160 A 3/1989 Smith, Jr.
4,827,562 A 5/1989 Blase et al.
4,845,800 A 7/1989 Pederson et al.

(75) Inventors: **Alfred Reneau Van Landingham, Jr.**,
Winchester, VA (US); **Jesse Andrew**
Matola, Winchester, VA (US)

(Continued)

(73) Assignee: **Rubbermaid Commercial Products,**
LLC, Winchester, VA (US)

FOREIGN PATENT DOCUMENTS

EP 1516575 A2 3/2005
(Continued)

(**) Term: **14 Years**

OTHER PUBLICATIONS

(21) Appl. No.: **29/405,928**

Copending U.S. Appl. No. 29/405,784, filed Nov. 7, 2011.

(22) Filed: **Nov. 8, 2011**

Primary Examiner — John Windmuller

(74) *Attorney, Agent, or Firm* — Dennis J. Williamson;
Moore & Van Allen PLLC

Related U.S. Application Data

(63) Continuation-in-part of application No. 12/766,197,
filed on Apr. 23, 2010.

(57) **CLAIM**

We claim the ornamental design for a mop frame, as shown
and described.

(51) **LOC (9) Cl.** **04-01**

(52) **U.S. Cl.** **D32/50**

(58) **Field of Classification Search** D32/50,
D32/51, 39-45; 15/116.1, 116.2, 119.2,
15/147.1, 147.2, 150, 208, 209.1, 210.1,
15/228; 401/137-140

DESCRIPTION

See application file for complete search history.

FIG. 1 is a front view showing our new design for a mop
frame;
FIG. 2 is a back side view showing our new design shown in
FIG. 1;
FIG. 3 is a left side view showing our new design shown in
FIG. 1;
FIG. 4 is a right view showing our new design shown in FIG.
1;
FIG. 5 is a perspective view showing our new design shown in
FIG. 1;
FIG. 6 is a top view showing our new design shown in FIG. 1;
and,
FIG. 7 is a bottom view showing our new design shown in
FIG. 1.

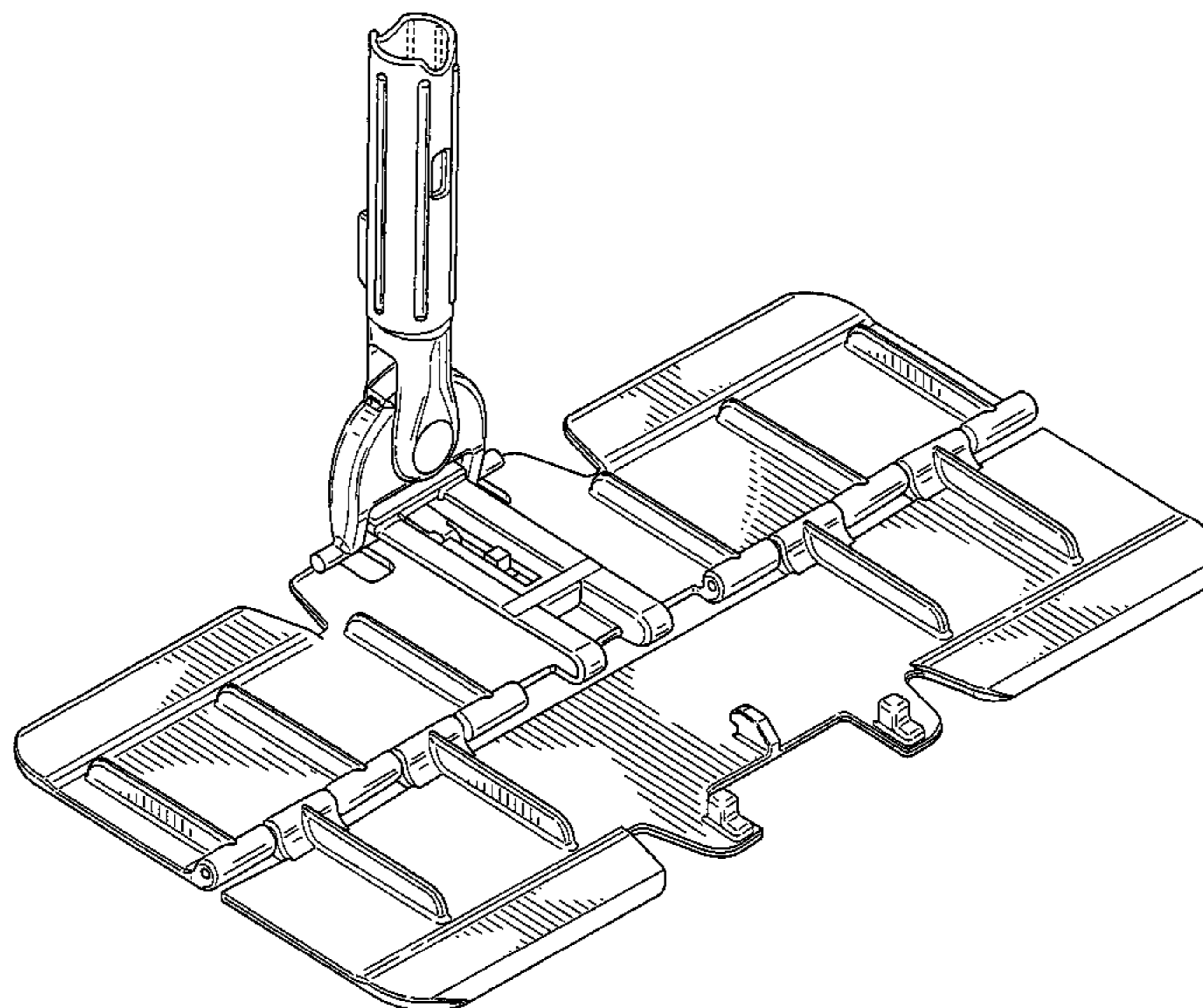
(56) **References Cited**

U.S. PATENT DOCUMENTS

790,030 A 5/1905 Crawford
2,255,091 A 9/1941 Vaughn
2,538,336 A 1/1951 Smith
2,794,997 A * 6/1957 Channell 15/119.2
3,045,252 A 7/1962 Sorrells
3,383,158 A * 5/1968 Leland 401/201
3,441,973 A 5/1969 Turk
3,926,452 A 12/1975 Goines
4,161,799 A 7/1979 Sorrells
4,680,826 A 7/1987 Schunter
4,798,307 A 1/1989 Evrard

The portions shown in broken lines are not part of the claimed
design but show the environment in which the design is asso-
ciated.

1 Claim, 7 Drawing Sheets



US D672,930 S

Page 2

U.S. PATENT DOCUMENTS

5,245,724 A 9/1993 Sacks
5,289,953 A 3/1994 McMillan, III et al.
5,548,865 A 8/1996 Pagani
5,864,914 A * 2/1999 Salmon 15/147.2
6,000,094 A 12/1999 Young
6,006,397 A 12/1999 Williams et al.
6,026,530 A 2/2000 Camp, Jr.
6,098,239 A * 8/2000 Vosbikian 15/228
6,119,298 A * 9/2000 Kenmochi 15/231
6,279,195 B1 8/2001 Biggs
6,283,170 B1 9/2001 Robinson
6,389,638 B1 5/2002 Dickinson et al.
D465,890 S * 11/2002 Rivera et al. D32/50
6,540,168 B1 4/2003 Archer et al.
6,662,401 B2 12/2003 Zorzo
6,736,969 B2 5/2004 Milne
D549,414 S * 8/2007 Van Ledingham, Jr. D32/50
7,487,881 B2 2/2009 Watzke et al.
7,607,191 B2 * 10/2009 Morris et al. 15/228
7,735,182 B2 * 6/2010 Morris et al. 15/228

2002/0092113 A1 7/2002 Cann
2005/0076465 A1 4/2005 Rousey
2005/0086760 A1 4/2005 Young
2007/0006413 A1 * 1/2007 Lee 15/228
2007/0241049 A1 10/2007 Tytar
2008/0302715 A1 12/2008 Venville
2009/0094769 A1 4/2009 Wilson
2011/0099745 A1 5/2011 Van Ledingham, Jr. et al.
2011/0099837 A1 5/2011 Matola et al.
2011/0100395 A1 5/2011 Van Ledingham, Jr. et al.
2011/0303589 A1 12/2011 Kuennen et al.
2012/0110814 A1 5/2012 Matola et al.

FOREIGN PATENT DOCUMENTS

GB 2260691 A 4/1993
WO 2003065869 A1 8/2003
WO 2006094918 A1 9/2006
WO 2006002654 A1 12/2006
WO 2008106780 A1 9/2008

* cited by examiner

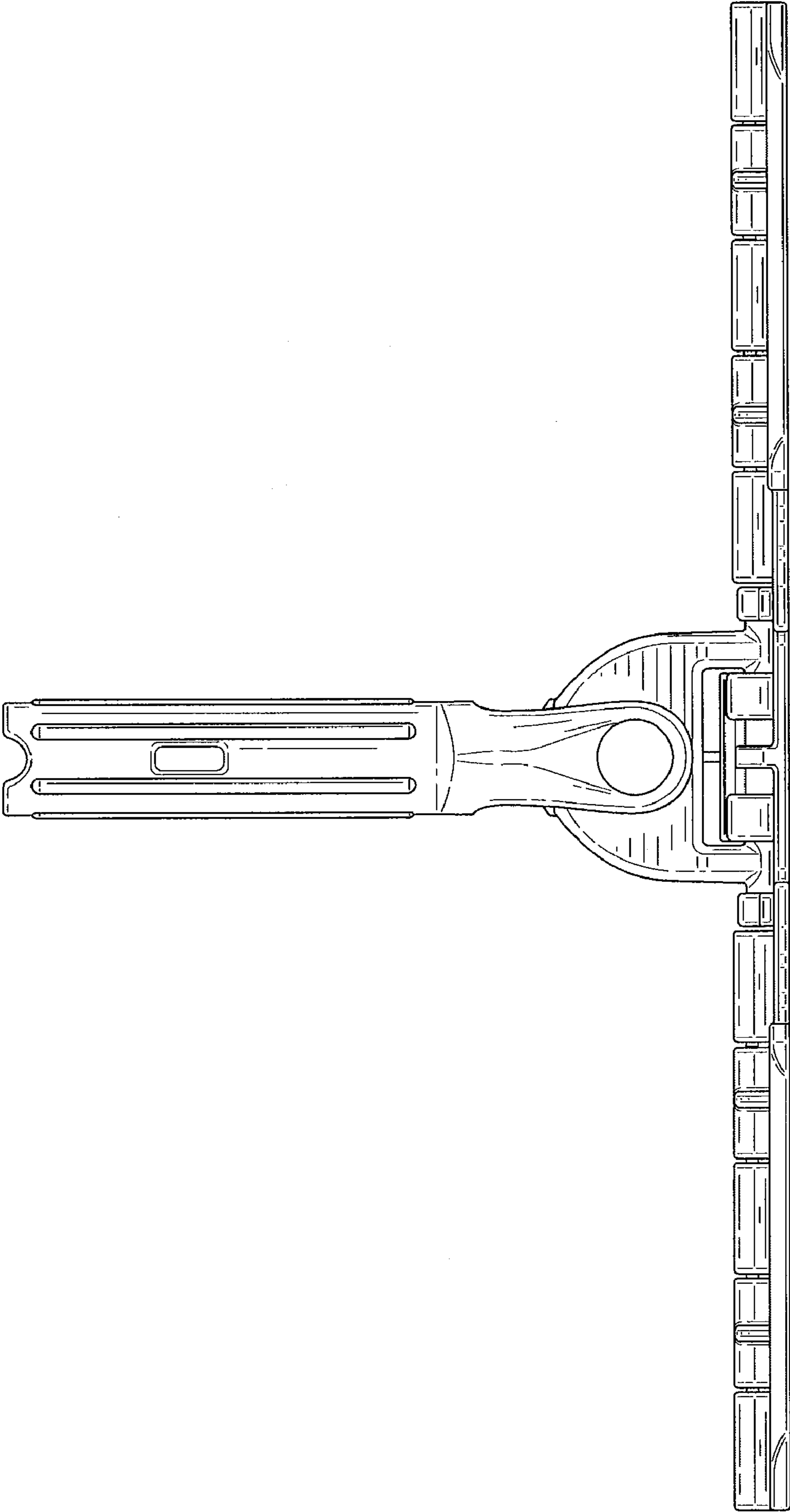


FIG. 1

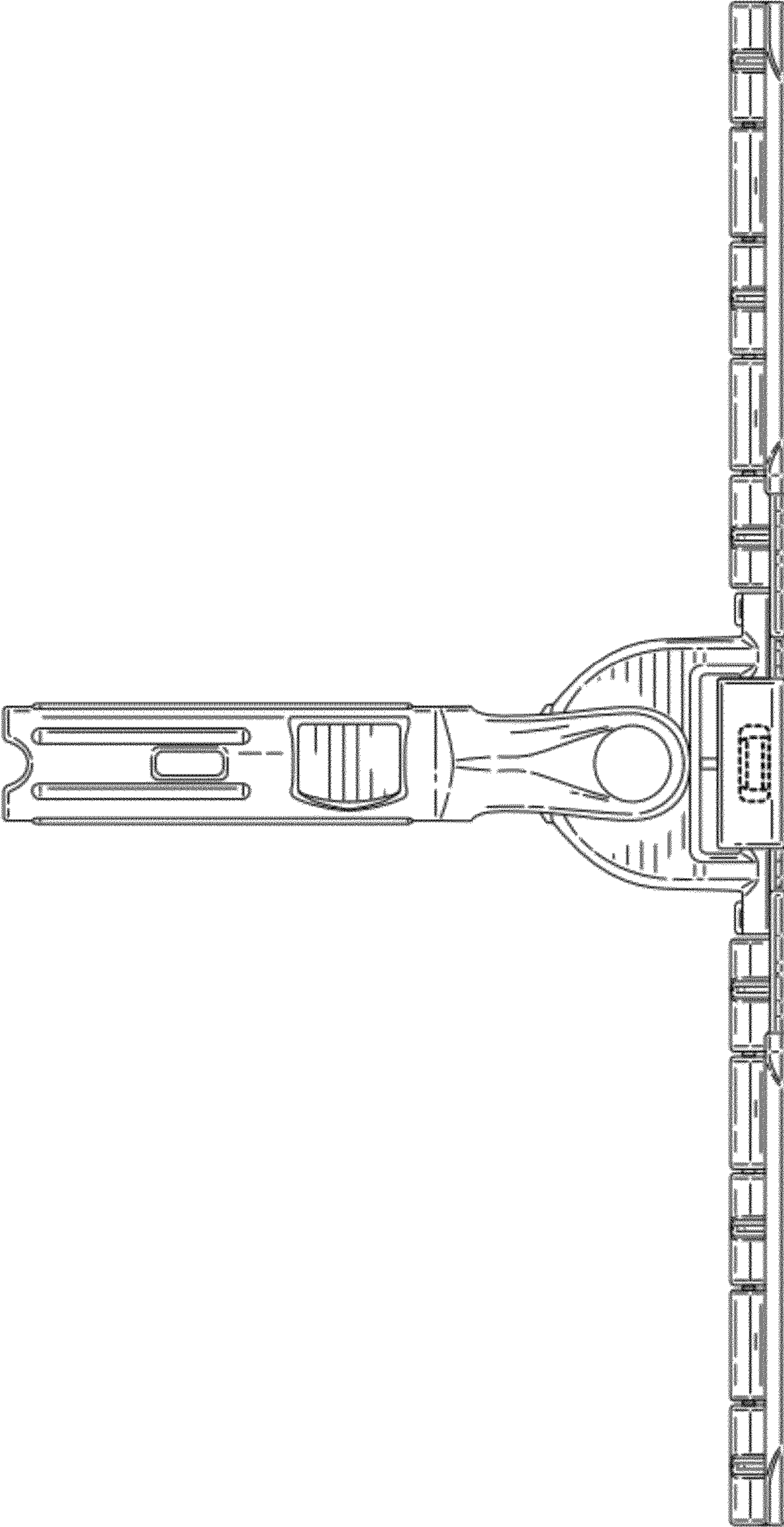


FIG. 2

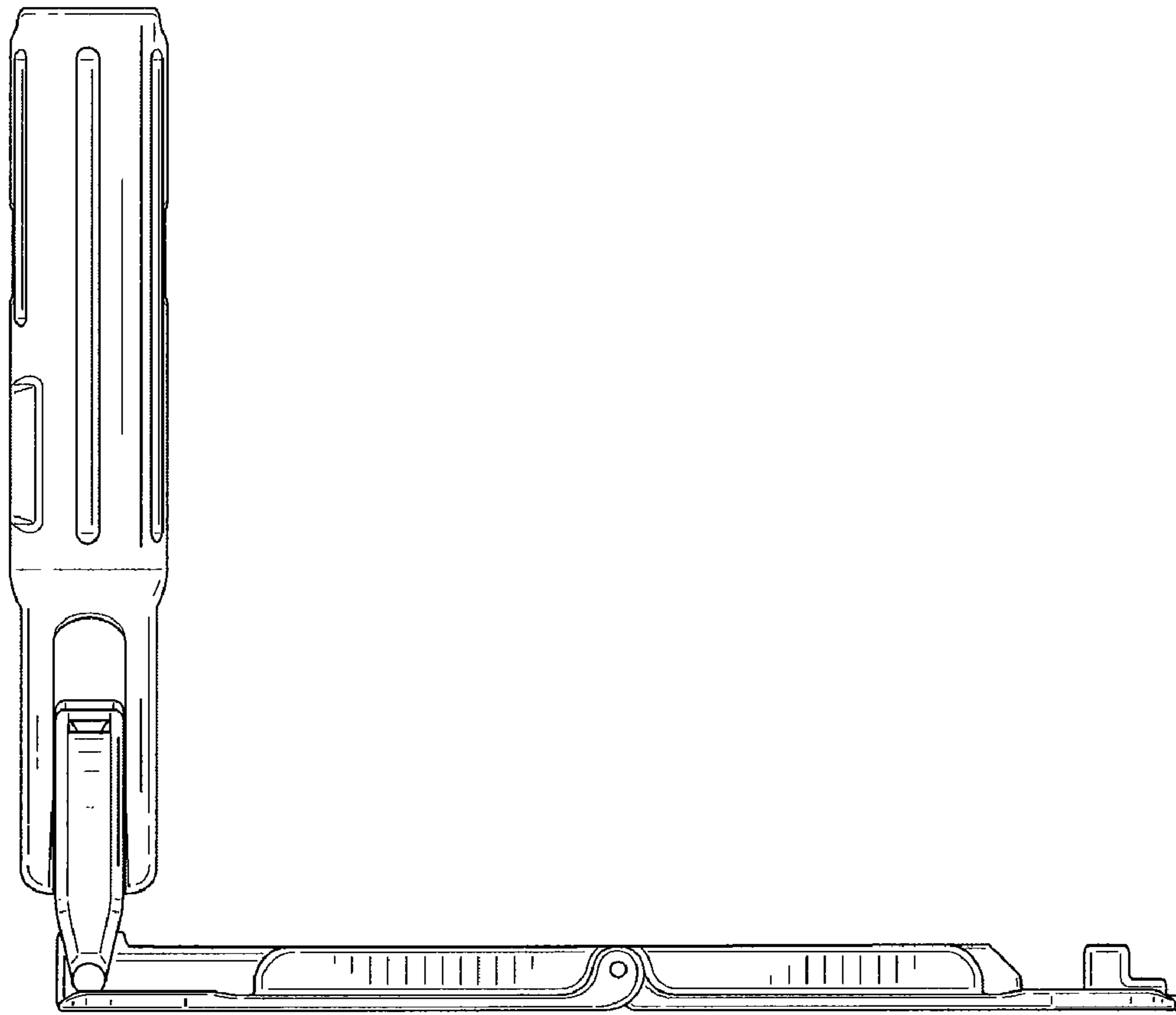


FIG. 3

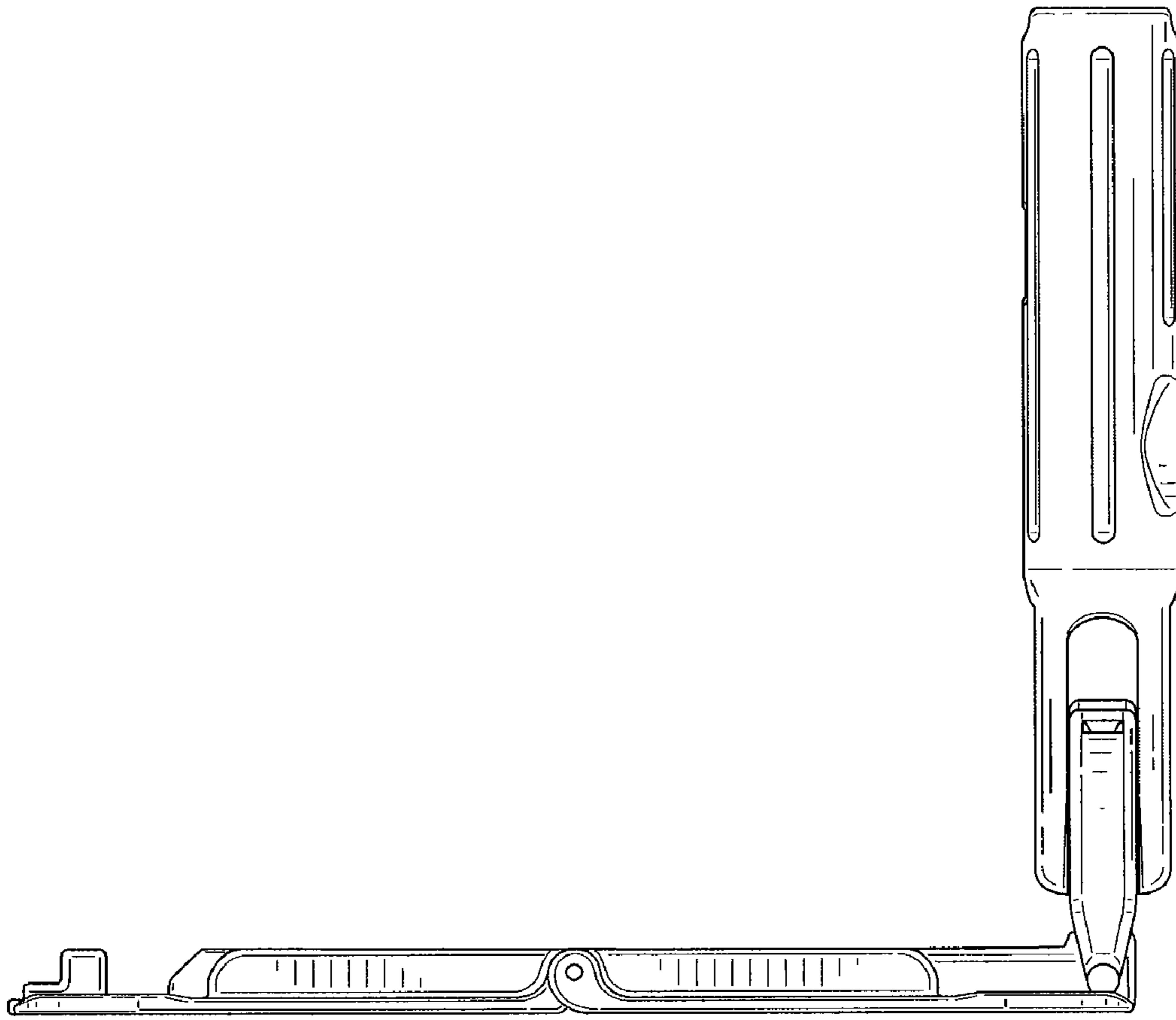


FIG. 4

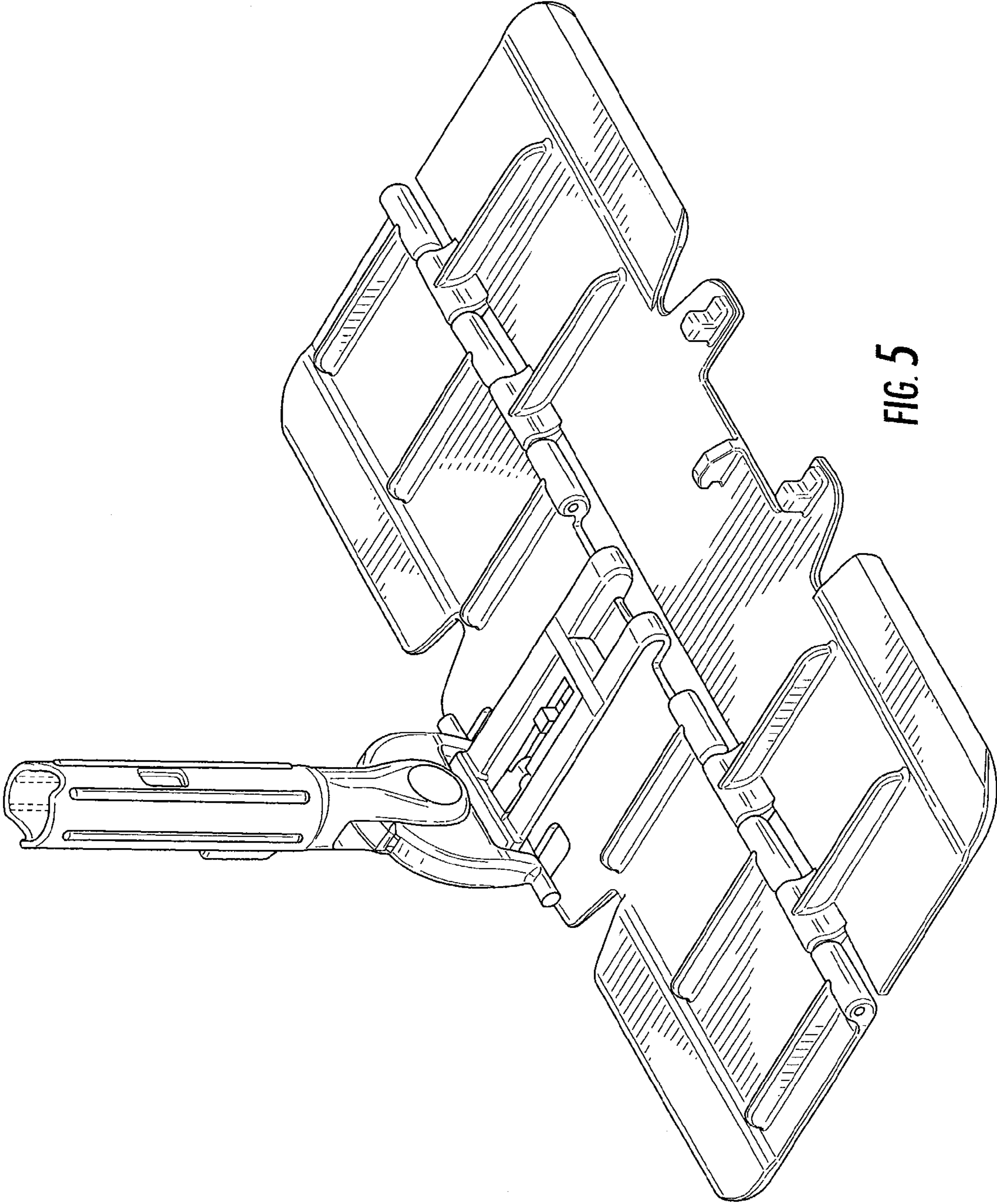


FIG. 5

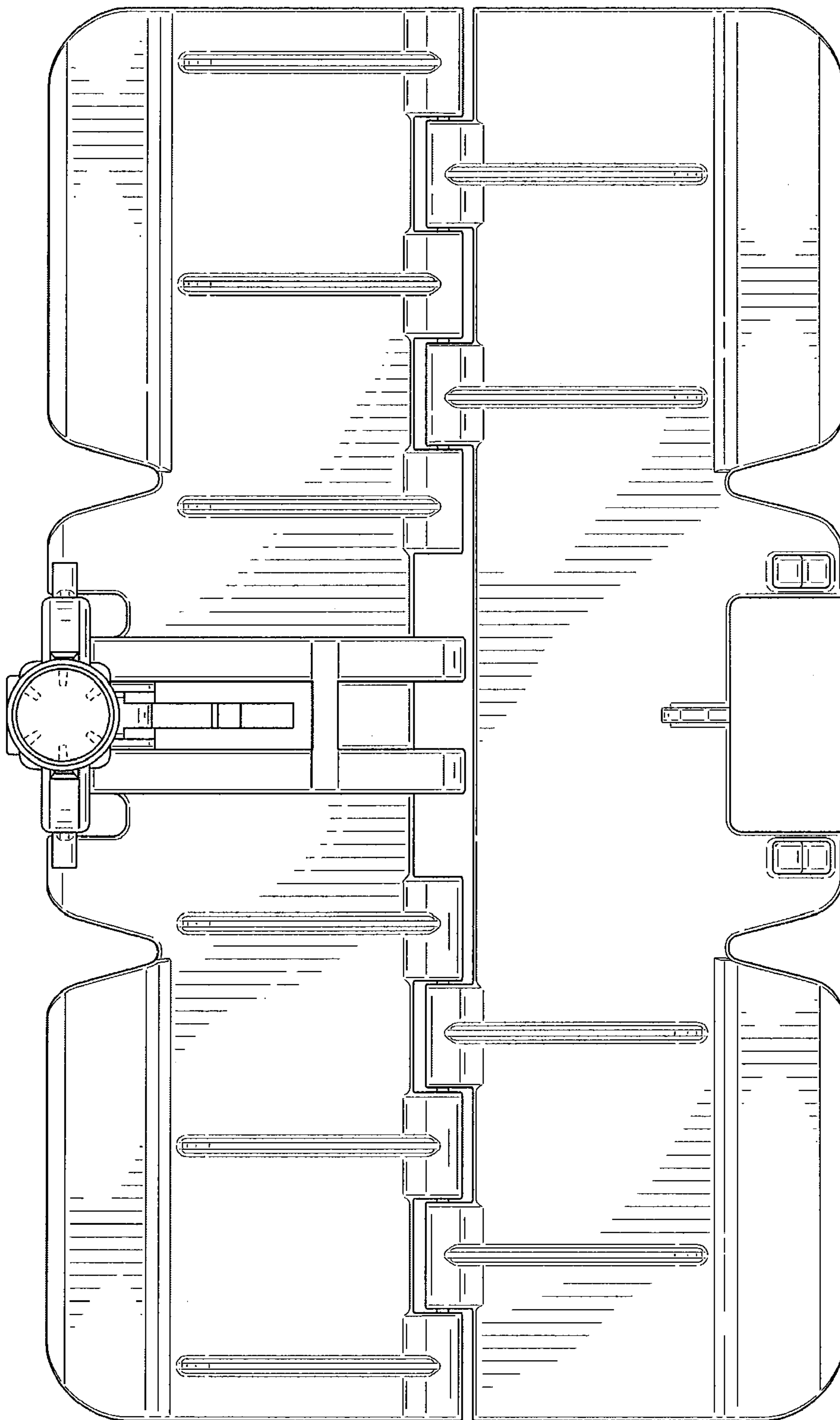


FIG. 6

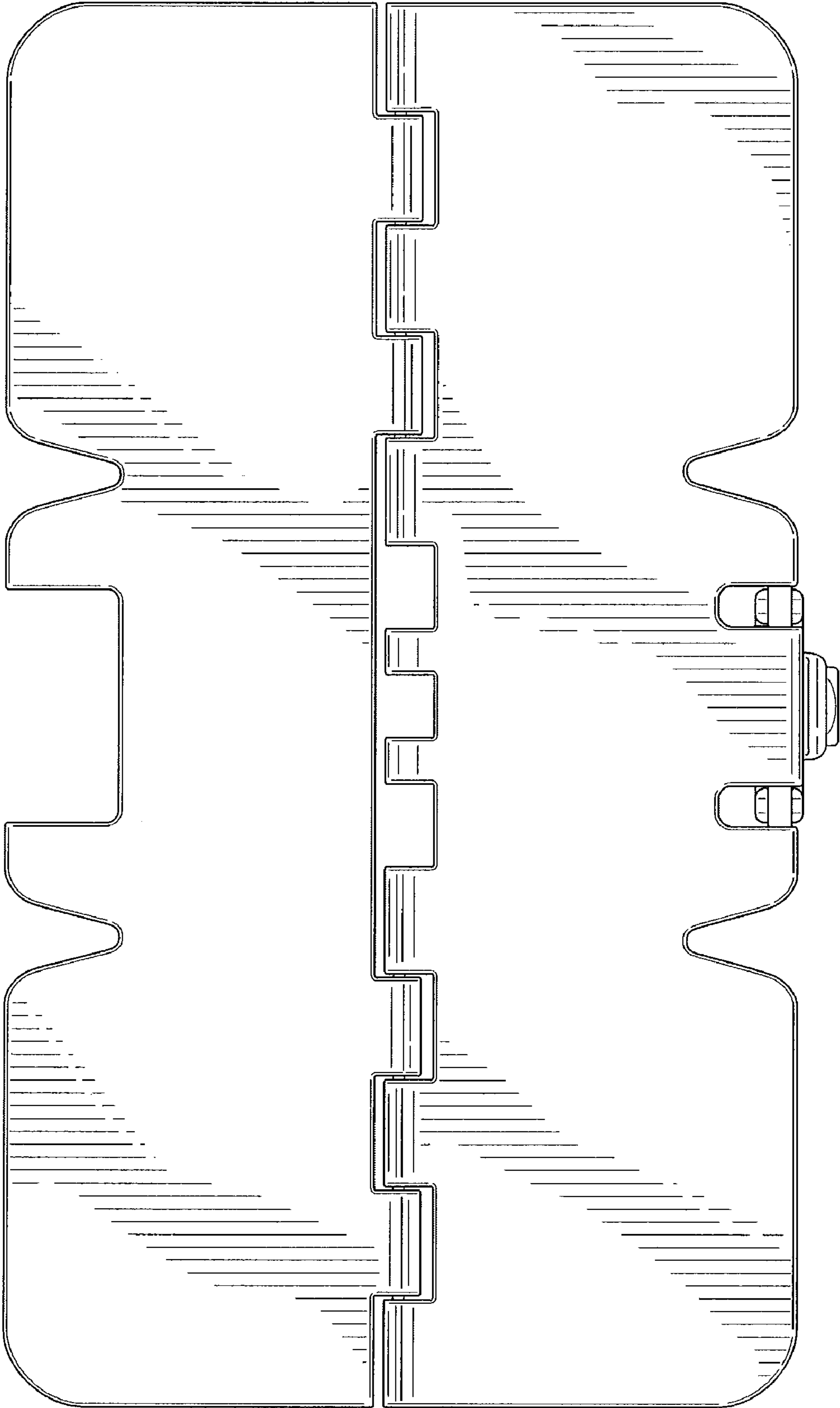


FIG. 7