



US00D672929S

(12) **United States Design Patent**
Gottschall et al.

(10) **Patent No.:** **US D672,929 S**

(45) **Date of Patent:** **** Dec. 18, 2012**

(54) **VACUUM CLEANER**

(75) Inventors: **Jason Gottschall**, South Williamsport, PA (US); **Craig A. Seasholtz**, Avis, PA (US); **John Griffin**, Phoenix, AZ (US)

(73) Assignee: **Shop Vac Corporation**, Williamsport, PA (US)

(**) Term: **14 Years**

(21) Appl. No.: **29/399,146**

(22) Filed: **Aug. 10, 2011**

(51) **LOC (9) Cl.** **15-05**

(52) **U.S. Cl.** **D32/31**

(58) **Field of Classification Search** D32/17-18, D32/21, 23-24, 31-34; 15/327.1-327.7, 15/320-321, 323, 353, 344, 329, 347, 246.2, 15/246.4, 301, 310, 313, 414, 328, 415.1-422.1; 210/167.16, 167.17; 285/7; 55/DIG. 3, 337, 55/345, 459.1, 429

See application file for complete search history.

(56) **References Cited**

U.S. PATENT DOCUMENTS

D470,281 S	2/2003	Griffin et al.	
D479,372 S *	9/2003	Griffin	D32/23
D506,042 S	6/2005	Griffin et al.	
D507,386 S	7/2005	Griffin et al.	
D528,255 S *	9/2006	Griffin et al.	D32/21
D587,414 S *	2/2009	Griffin et al.	D32/31
D588,761 S *	3/2009	Griffin	D32/31
D591,467 S *	4/2009	Griffin et al.	D32/23
D599,968 S *	9/2009	Crevling et al.	D32/23
D631,216 S *	1/2011	Crevling et al.	D32/31

D632,444 S *	2/2011	Griffin et al.	D32/31
D633,668 S *	3/2011	Griffin et al.	D32/23
D634,084 S *	3/2011	Griffin et al.	D32/31
D638,180 S *	5/2011	Griffin et al.	D32/31
D640,024 S *	6/2011	Crevling et al.	D32/31
D644,801 S *	9/2011	Crevling et al.	D32/31
8,015,661 B2 *	9/2011	Baer et al.	15/353

* cited by examiner

Primary Examiner — Ruth McInroy

(74) *Attorney, Agent, or Firm* — Marshall, Gerstein & Borun LLP; Richard M. LaBarge; Robert M. Gerstein

(57) **CLAIM**

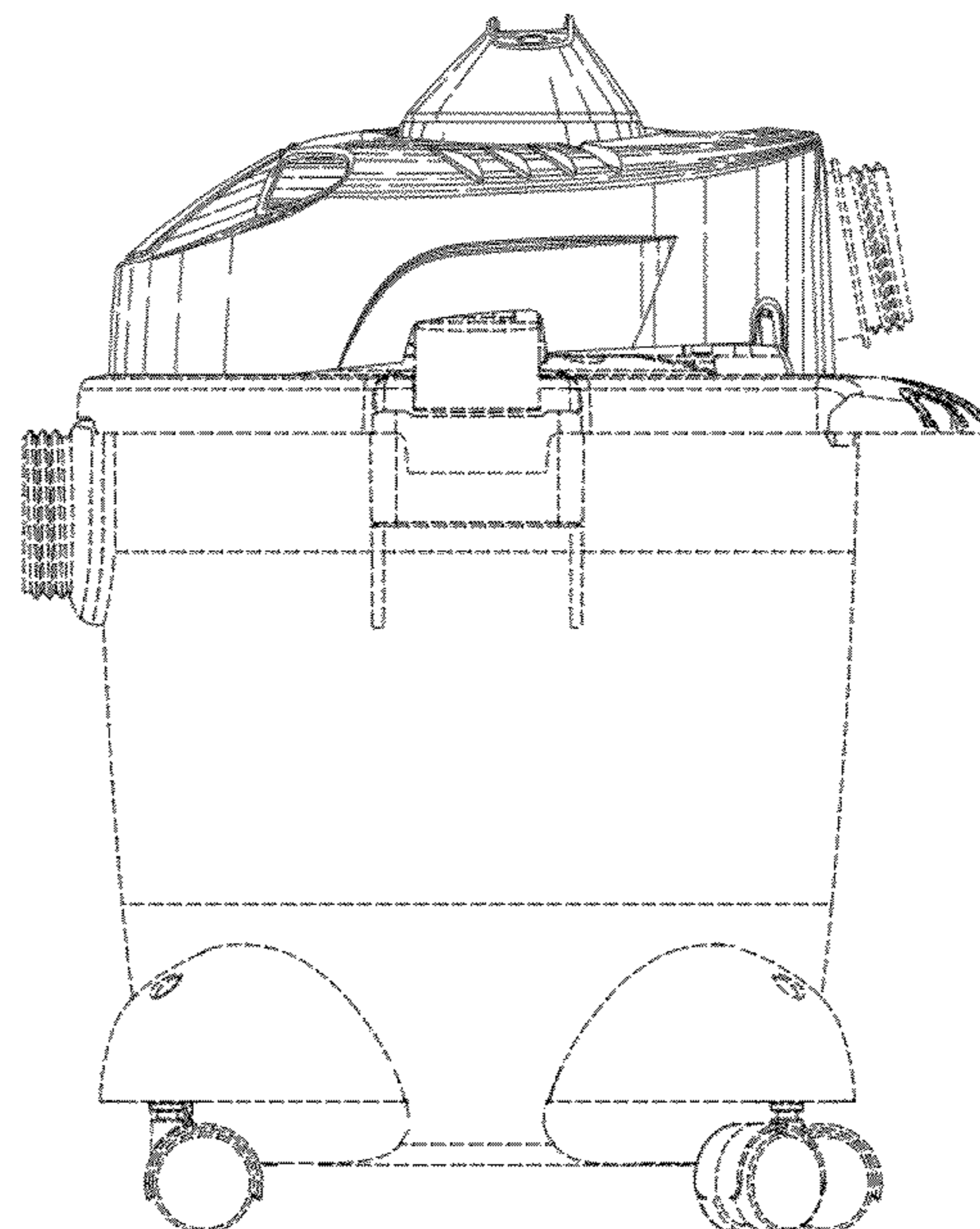
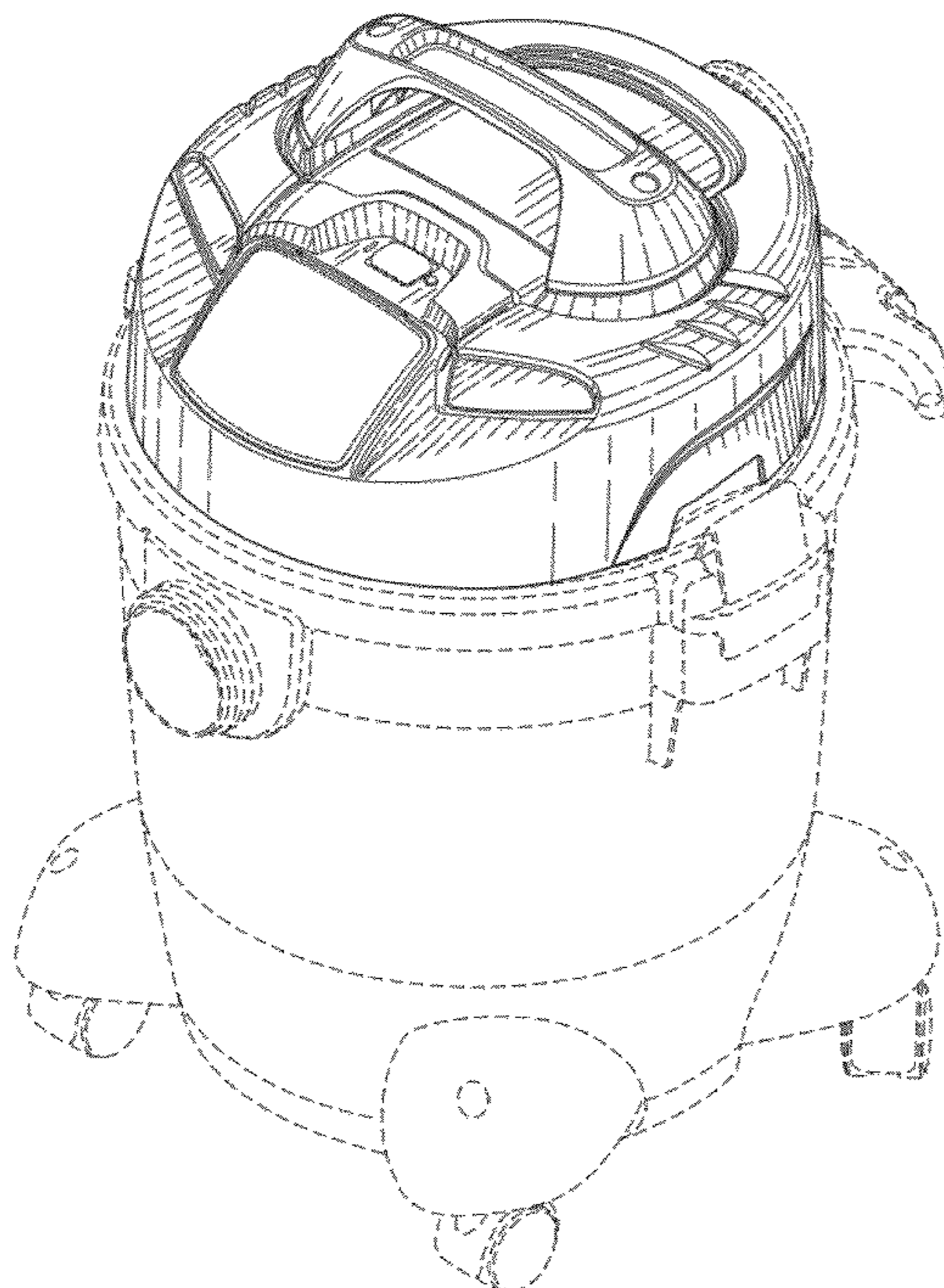
The ornamental design for a vacuum cleaner, as shown and described.

DESCRIPTION

FIG. 1 is a top, front and right side perspective view of a vacuum cleaner showing our new design; FIG. 2 is a front elevation view thereof; FIG. 3 is a right side elevation view thereof; FIG. 4 is a rear elevation view thereof; FIG. 5 is a left side elevation view thereof; FIG. 6 is a top plan view thereof; FIG. 7 is a top, front and right side perspective view of a second embodiment thereof; FIG. 8 is a front elevation view of FIG. 7; FIG. 9 is a right side elevation view of FIG. 7; FIG. 10 is a rear elevation view of FIG. 7; FIG. 11 is a left side elevation view of FIG. 7; and, FIG. 12 is a top plan view of FIG. 7.

The broken line showing of parts of the vacuum cleaner is for the purpose of illustrating other parts of the vacuum cleaner, and forms not part of the claimed design.

1 Claim, 12 Drawing Sheets



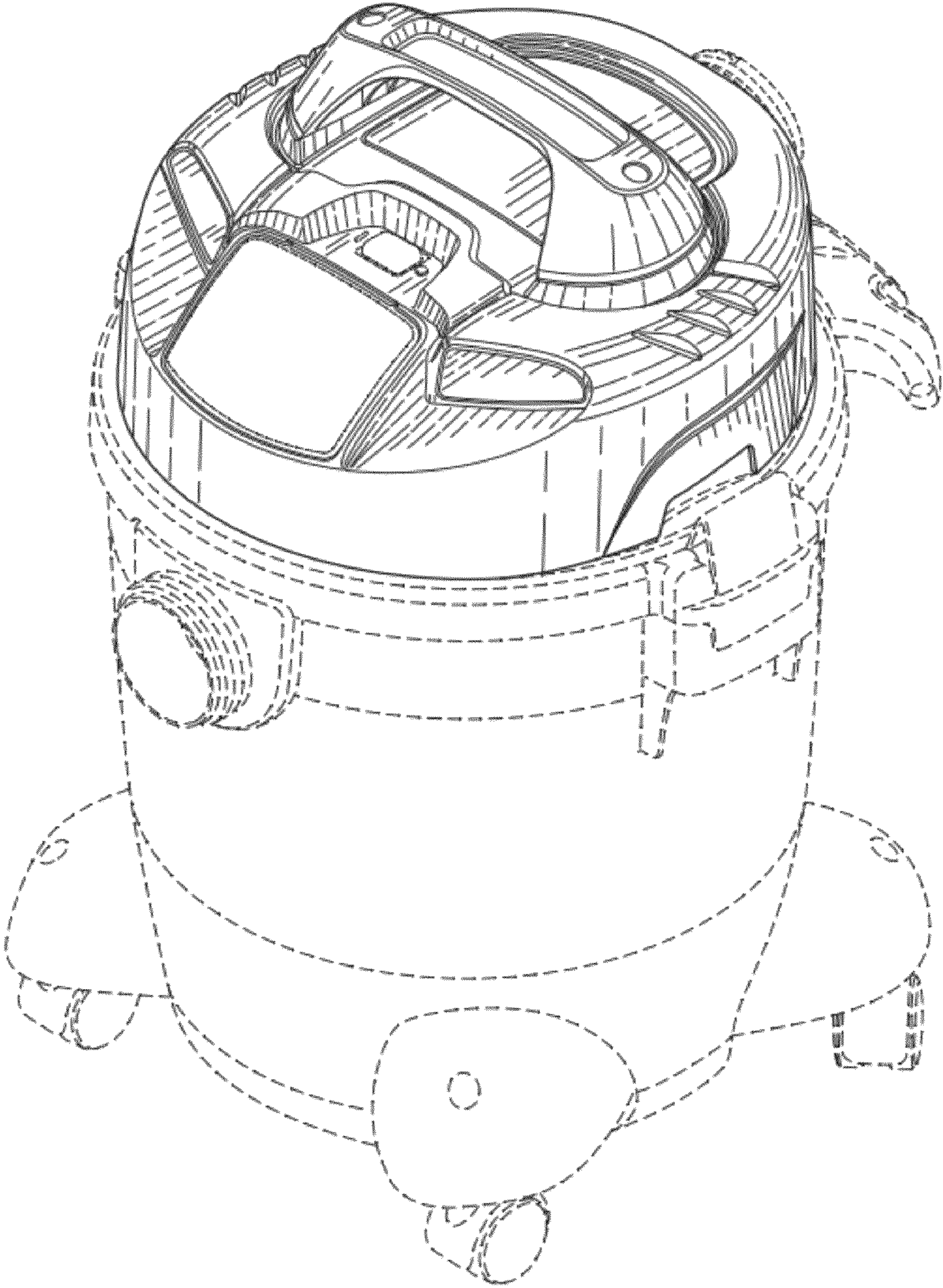


FIG. 1

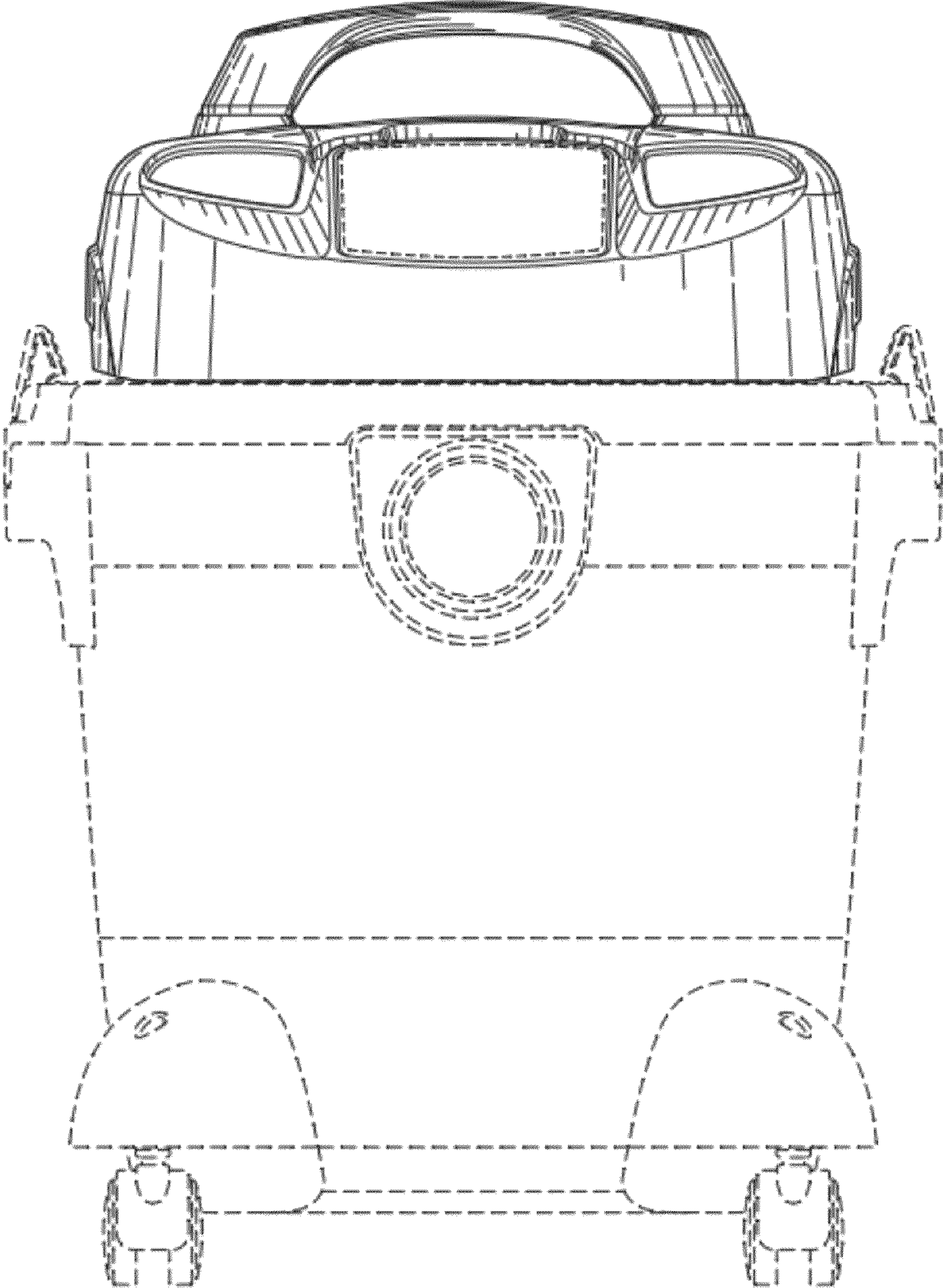


FIG. 2

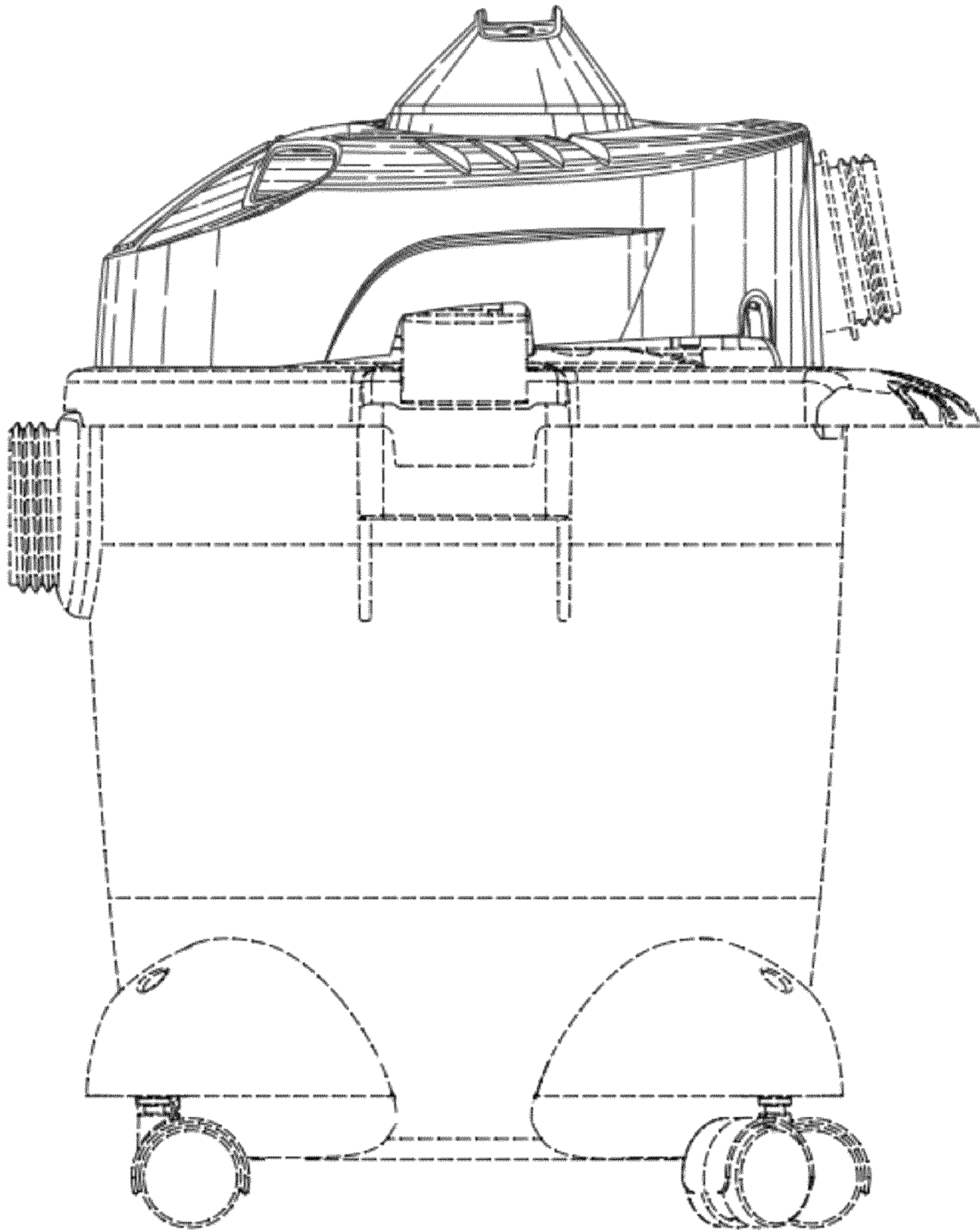


FIG. 3

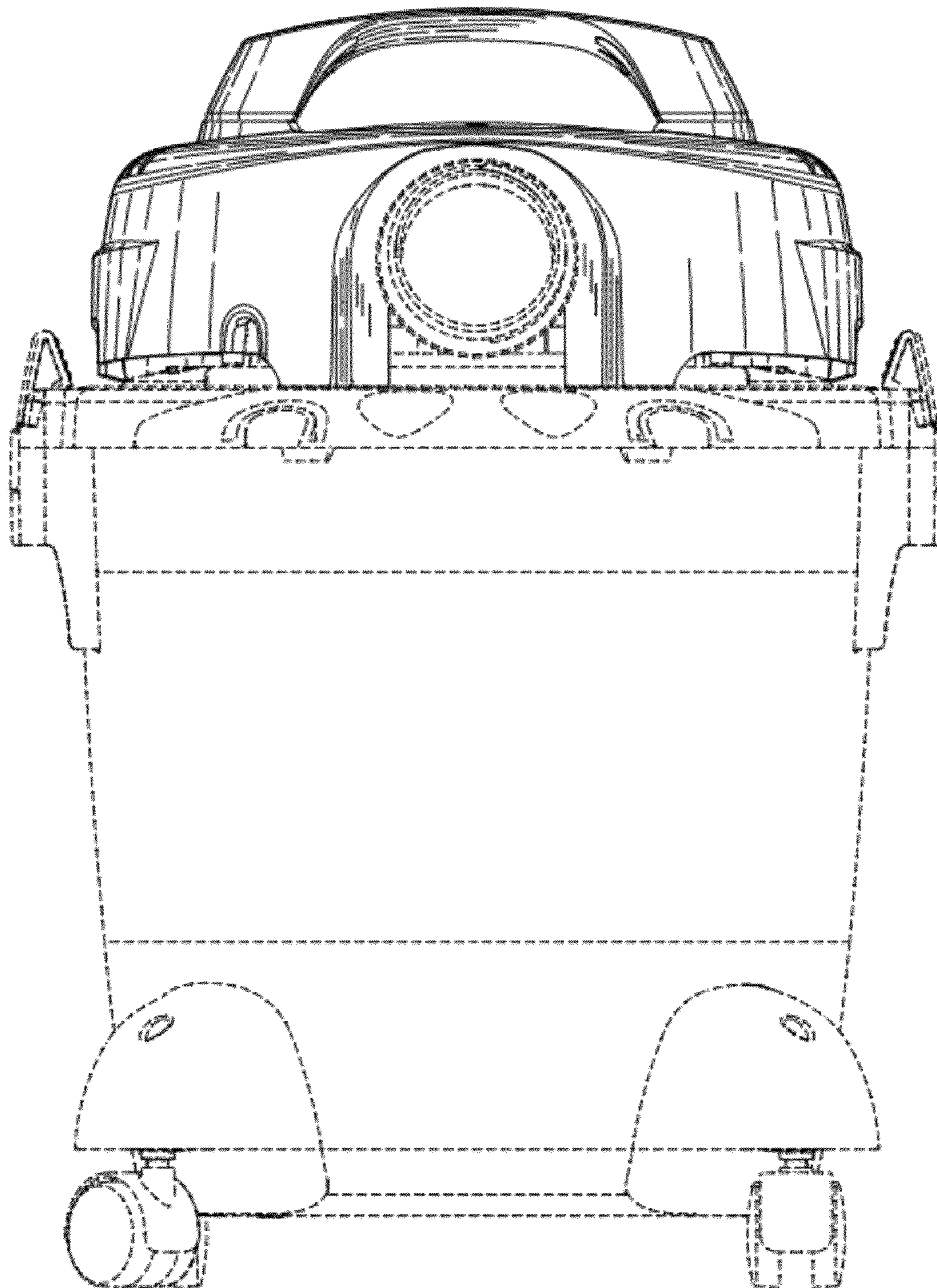


FIG. 4

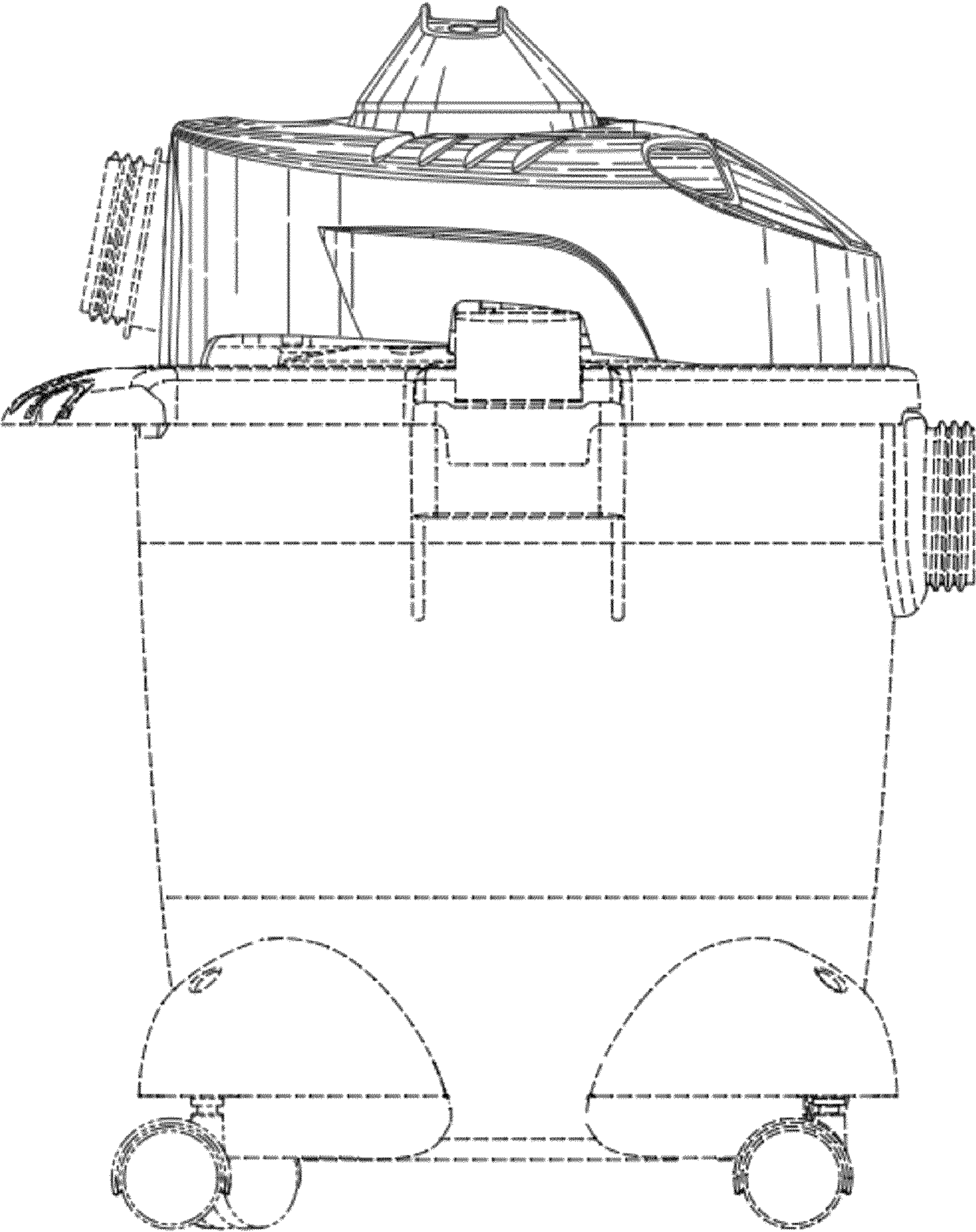


FIG. 5

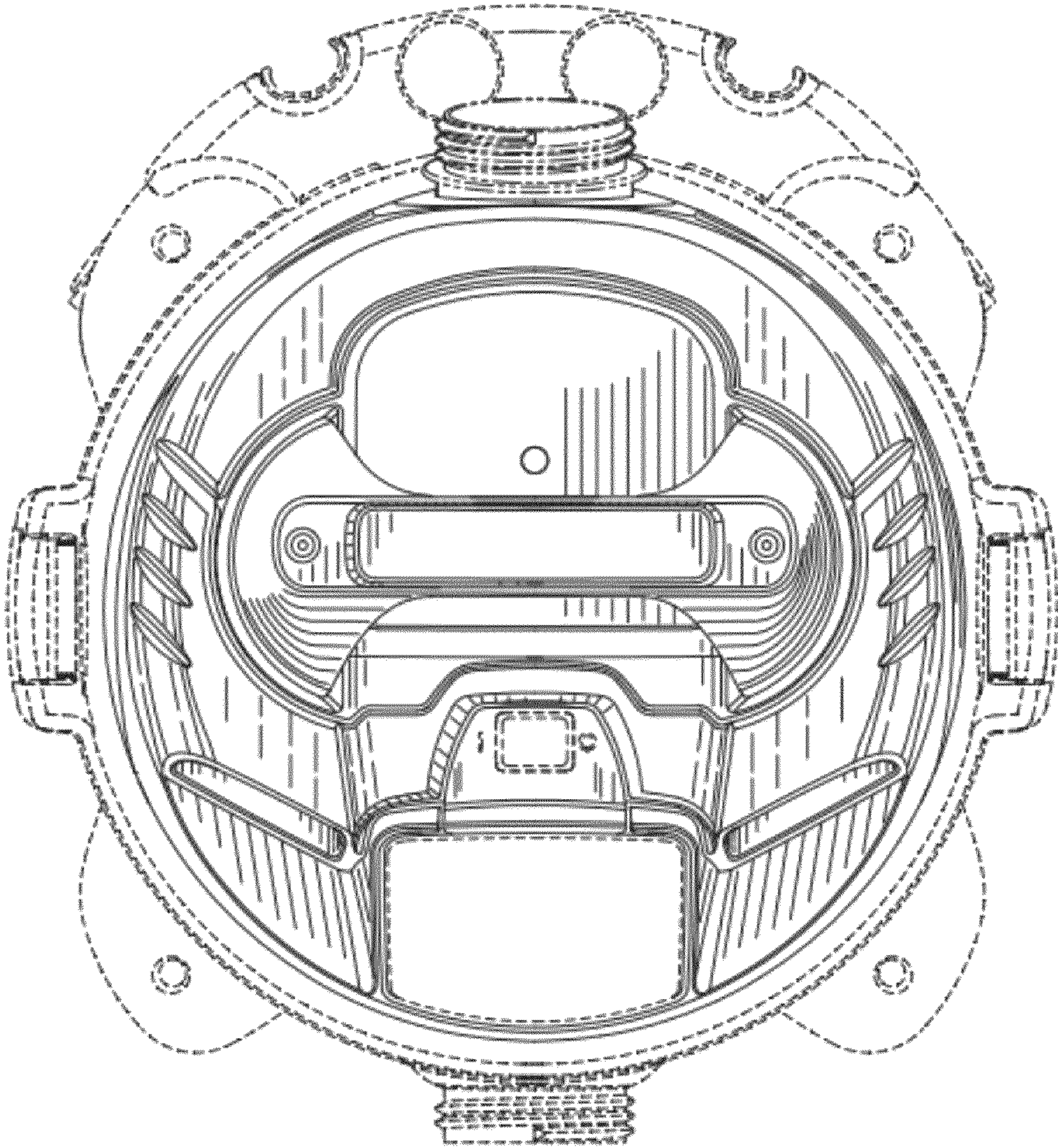


FIG. 6

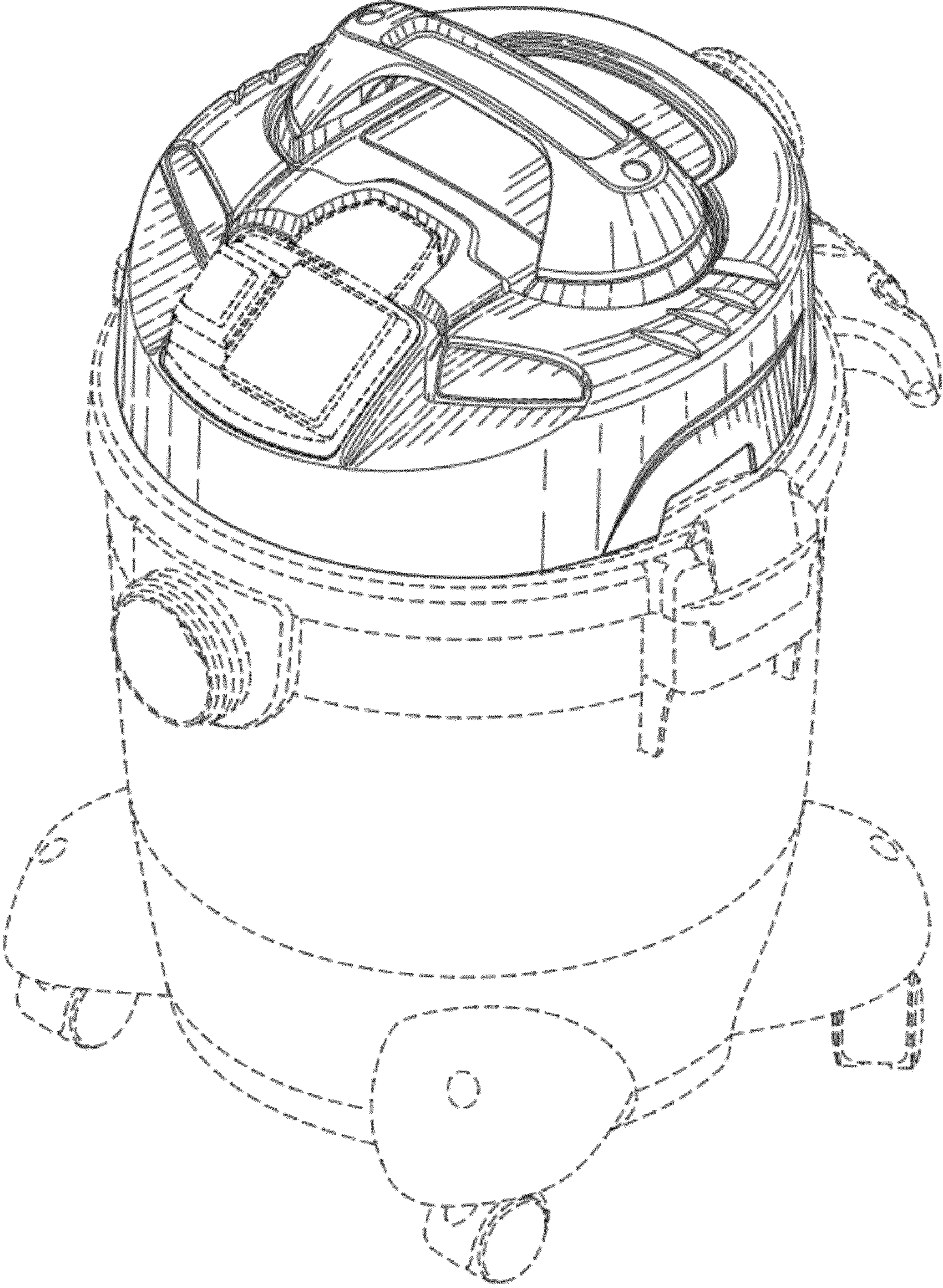


FIG. 7

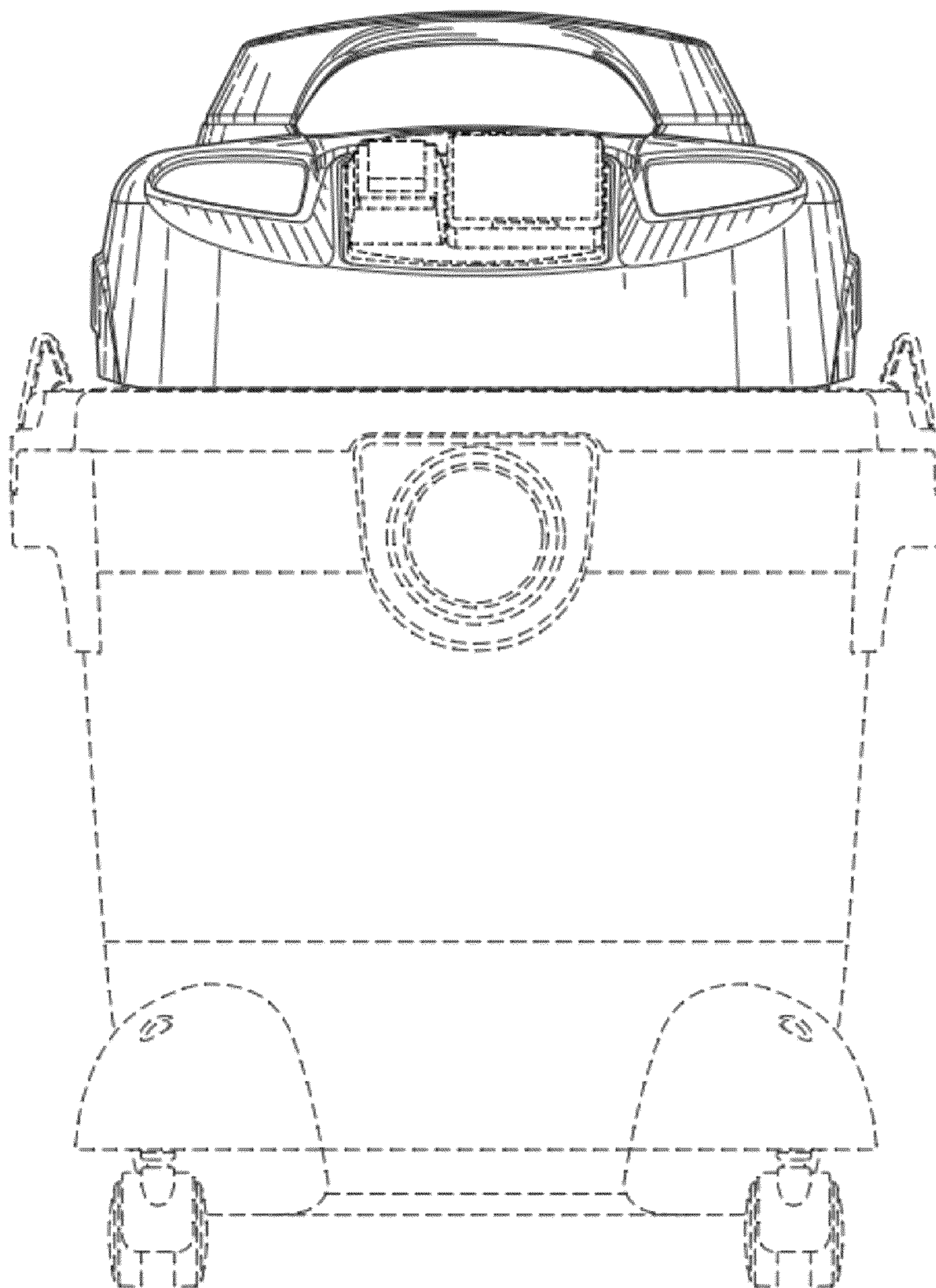


FIG. 8

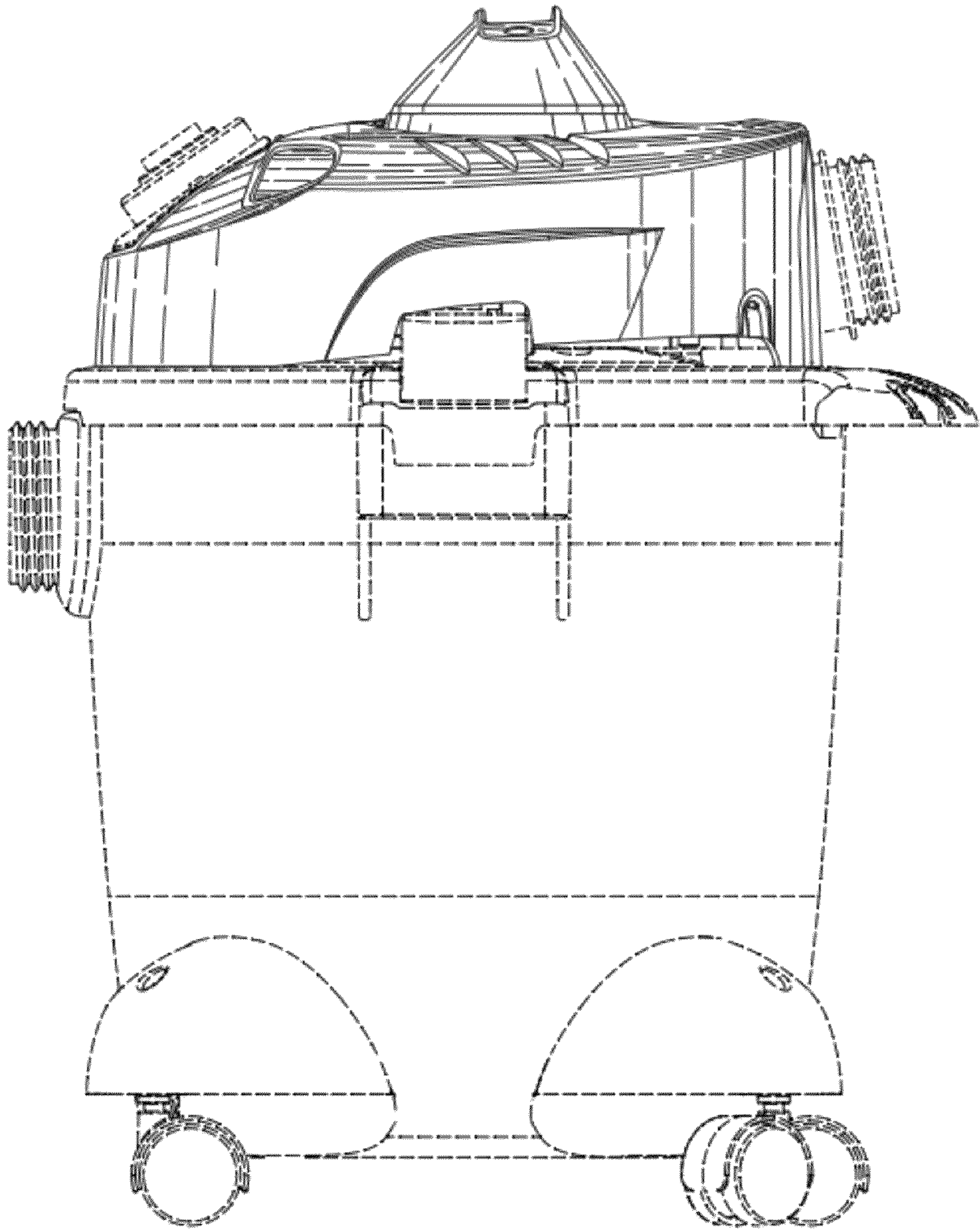


FIG. 9

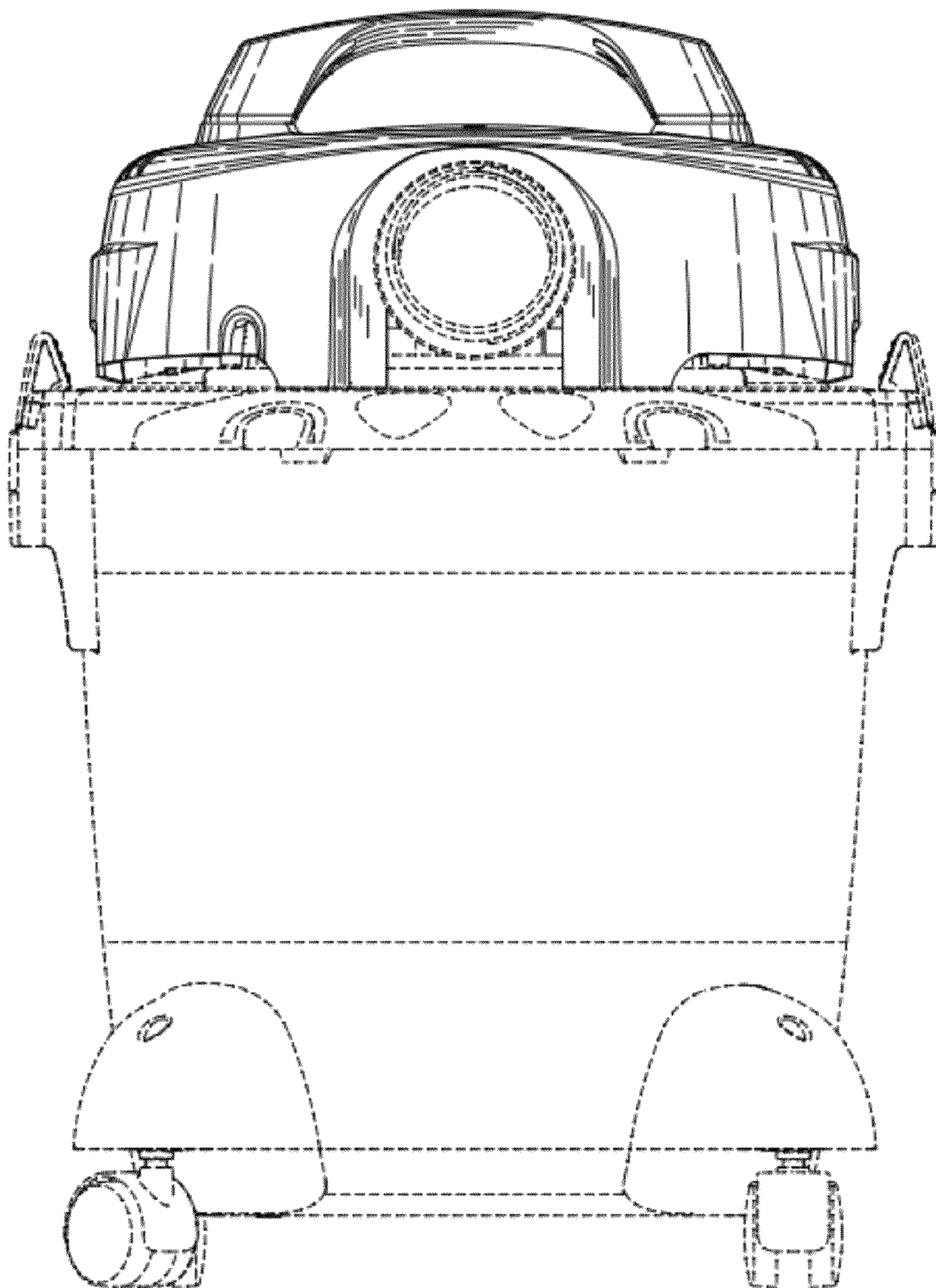


FIG. 10

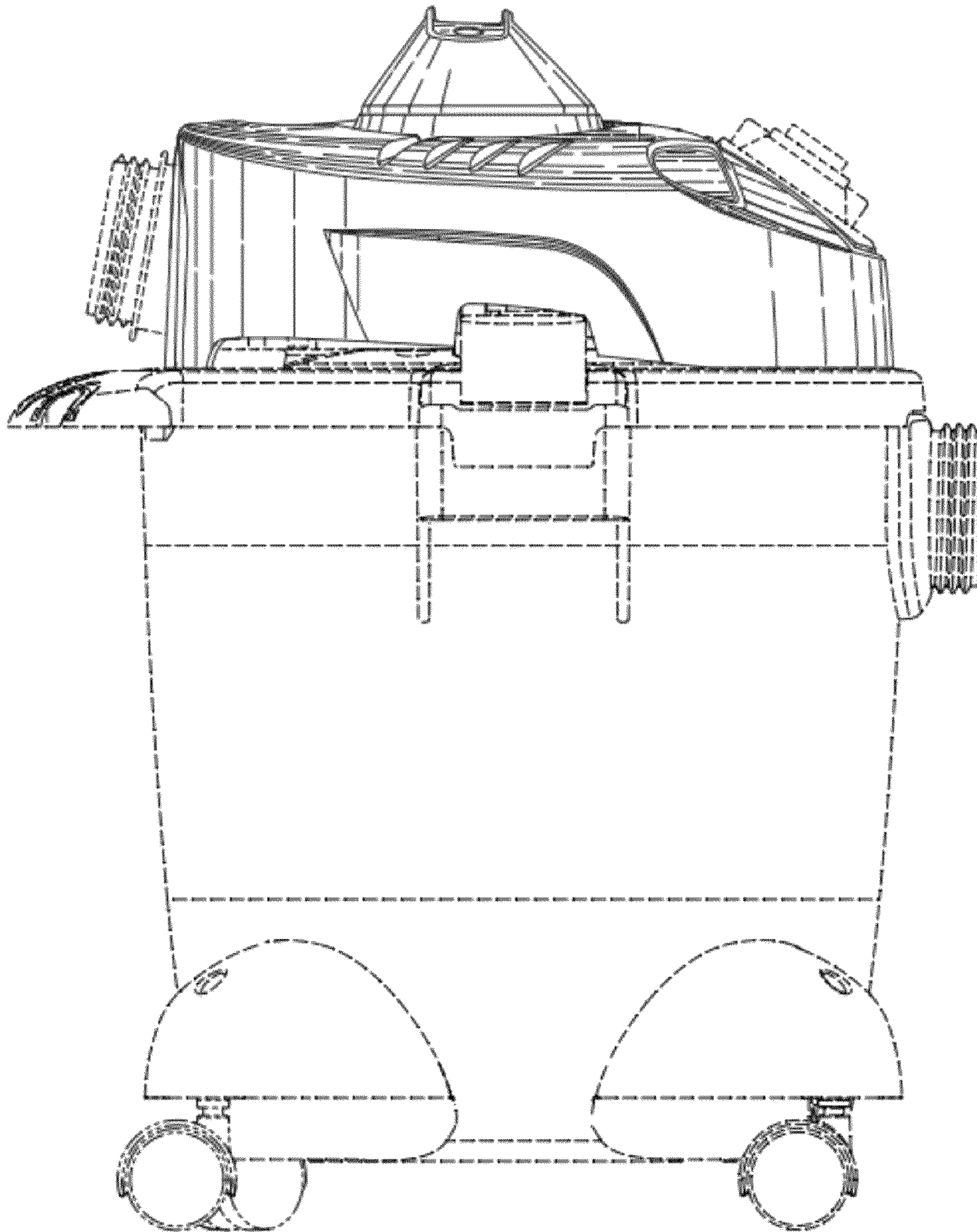


FIG. 11

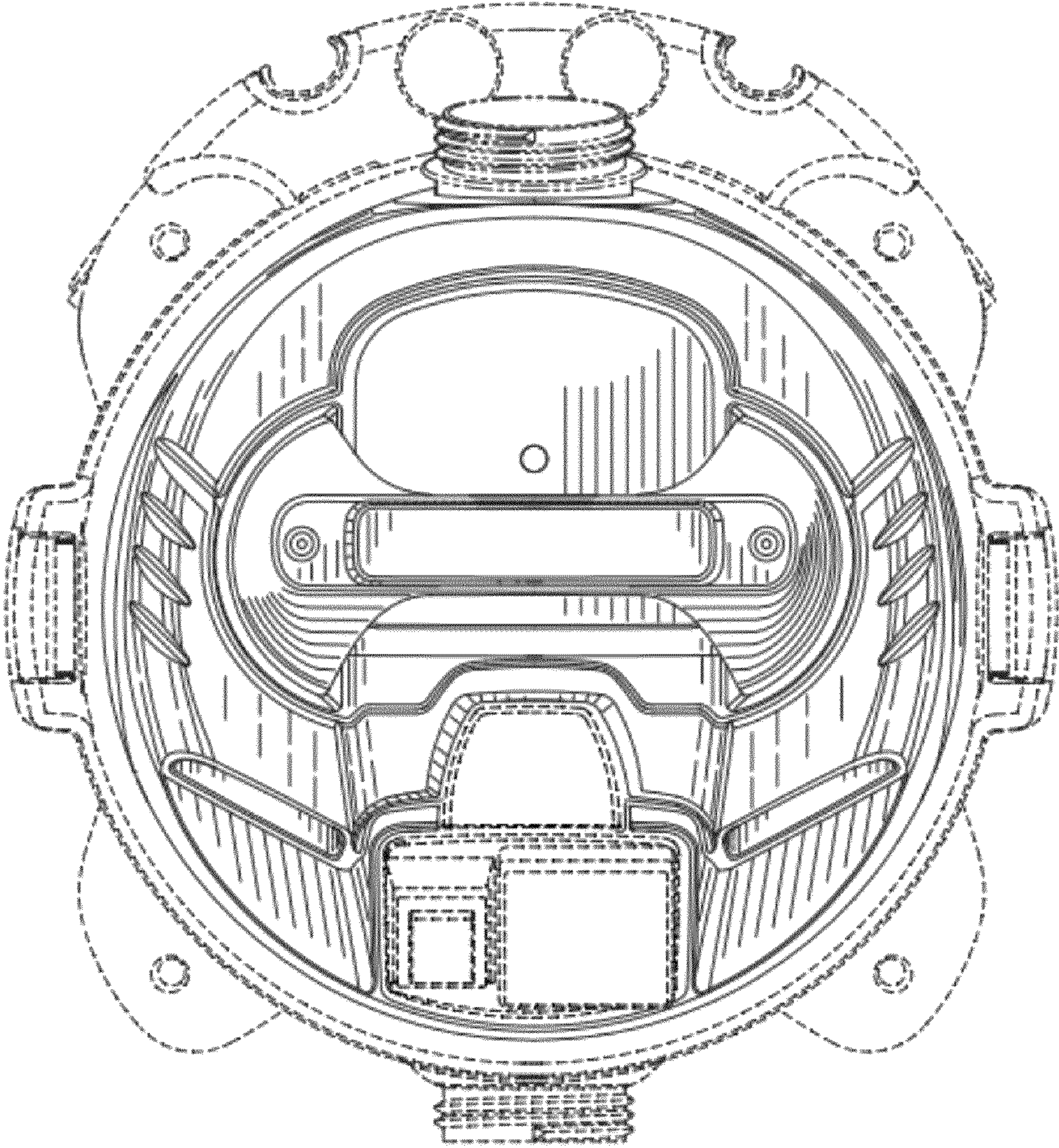


FIG. 12