



US00D672928S

(12) **United States Design Patent**
Swett

(10) **Patent No.:** **US D672,928 S**
(45) **Date of Patent:** **** Dec. 18, 2012**

(54) **AIR FILTER FOR A ROBOTIC VACUUM**

(75) Inventor: **David Orrin Swett**, Waltham, MA (US)

(73) Assignee: **iRobot Corporation**, Bedford, MA (US)

(**) Term: **14 Years**

(21) Appl. No.: **29/382,224**

(22) Filed: **Dec. 30, 2010**

(51) **LOC (9) Cl.** **15-05**

(52) **U.S. Cl.** **D32/31; D32/30**

(58) **Field of Classification Search** D32/25,
D32/30-31; 55/DIG. 2, DIG. 3, 367, 368,
55/373-374, 376-378, 462, 464, 490; 15/347-353,
15/DIG. 8

See application file for complete search history.

(56) **References Cited**

U.S. PATENT DOCUMENTS

5,651,188	A *	7/1997	Swanson et al.	34/82
D383,881	S *	9/1997	Gudmundsson	D32/30
D389,284	S *	1/1998	Gudmundsson	D32/30
5,725,623	A *	3/1998	Bowerman et al.	55/490
D406,421	S *	3/1999	Bobrosky et al.	D32/31
D425,270	S	5/2000	Zahuranec	
D443,740	S *	6/2001	Stratford	D32/30
D445,974	S	7/2001	Stratford	
D472,683	S *	4/2003	Stratford	D32/31
D522,194	S *	5/2006	Mason	D32/30
8,021,455	B2 *	9/2011	Adamek et al.	55/486
2006/0168925	A1 *	8/2006	Whittemore	55/490

OTHER PUBLICATIONS

Taiwan Search Report for Taiwan Design Patent Application No. 099306803 Dated Sep. 6, 2010.

* cited by examiner

Primary Examiner — T. Chase Nelson

Assistant Examiner — Kathleen M Sims

(74) *Attorney, Agent, or Firm* — Honigman Miller Schwartz and Cohn LLP

(57) **CLAIM**

The ornamental design for an air filter for a robotic vacuum, as shown and described.

DESCRIPTION

FIG. 1 is a bottom perspective view of an air filter for a robotic vacuum showing my new design.

FIG. 2 is a front view of an air filter for a robotic vacuum showing my new design.

FIG. 3 is a rear view of an air filter for a robotic vacuum of showing my design.

FIG. 4 is a side view of an air filter for a robotic vacuum showing my new design.

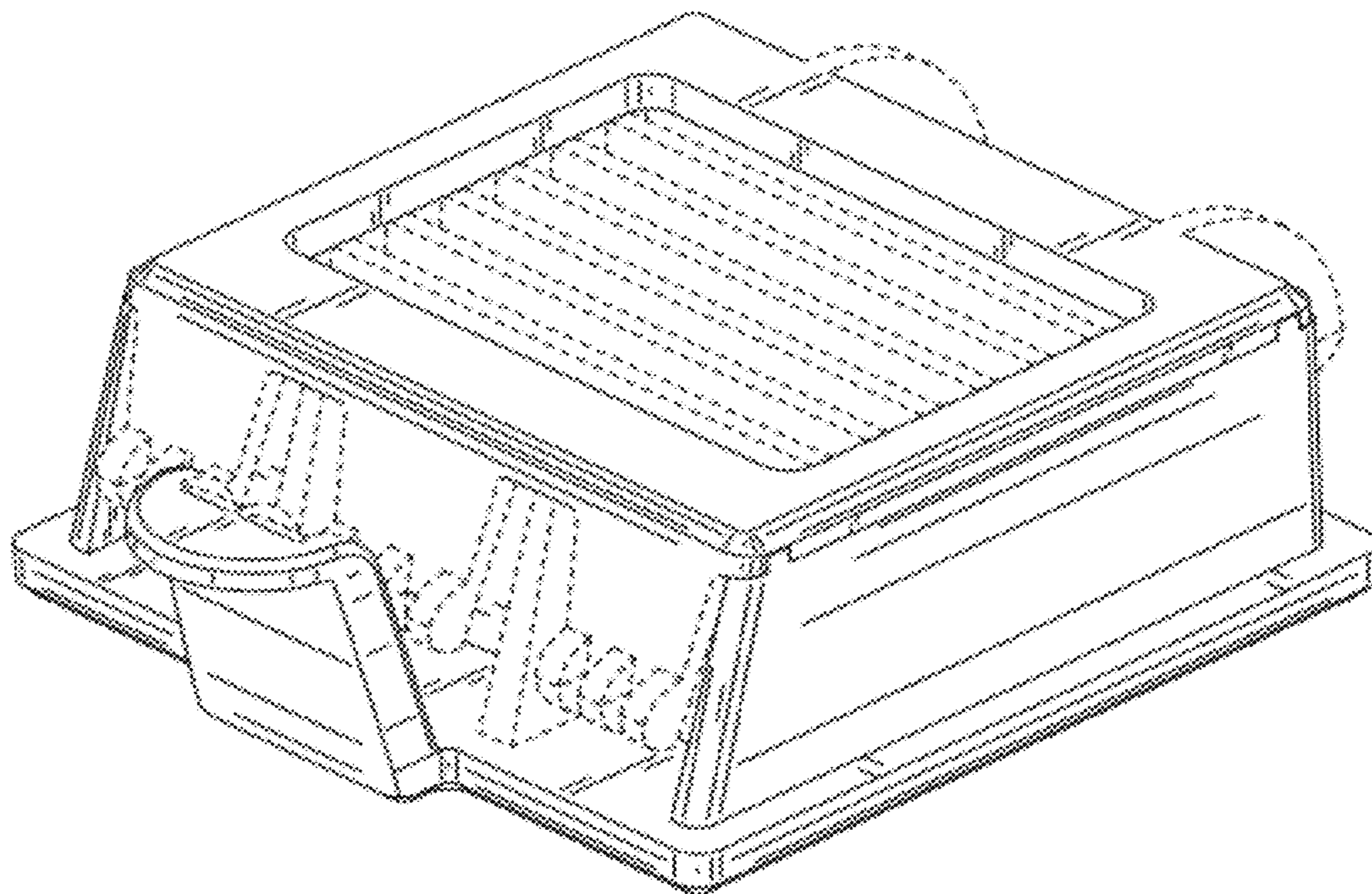
FIG. 5 is another side view of an air filter for a robotic vacuum showing my new design.

FIG. 6 is a bottom view of an air filter for a robotic vacuum showing my new design; and,

FIG. 7 is a top view of an air filter for a robotic vacuum showing my new design.

The portions of the air filter depicted in broken lines are not part of the claimed design.

1 Claim, 5 Drawing Sheets



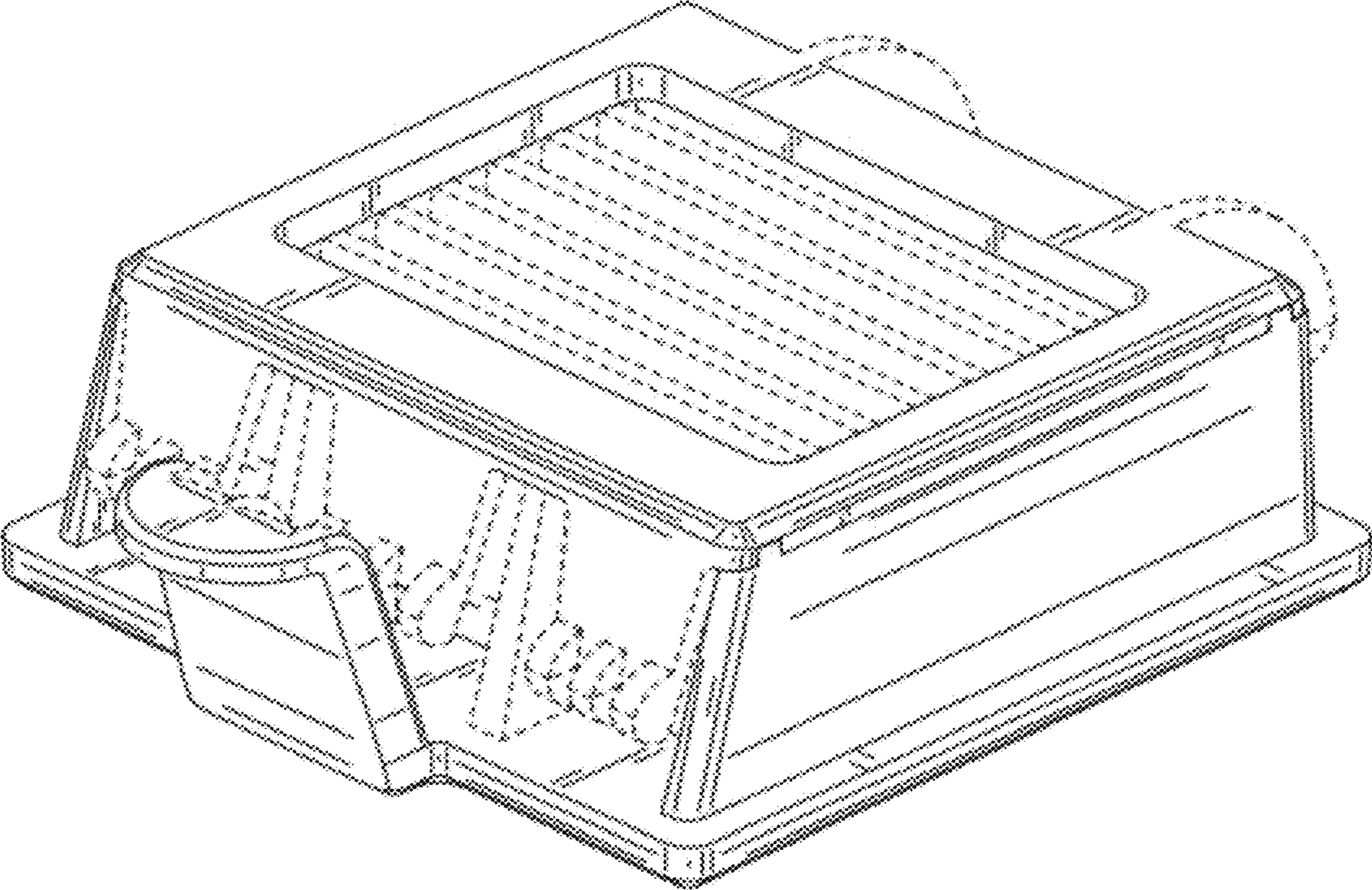


FIG. 1

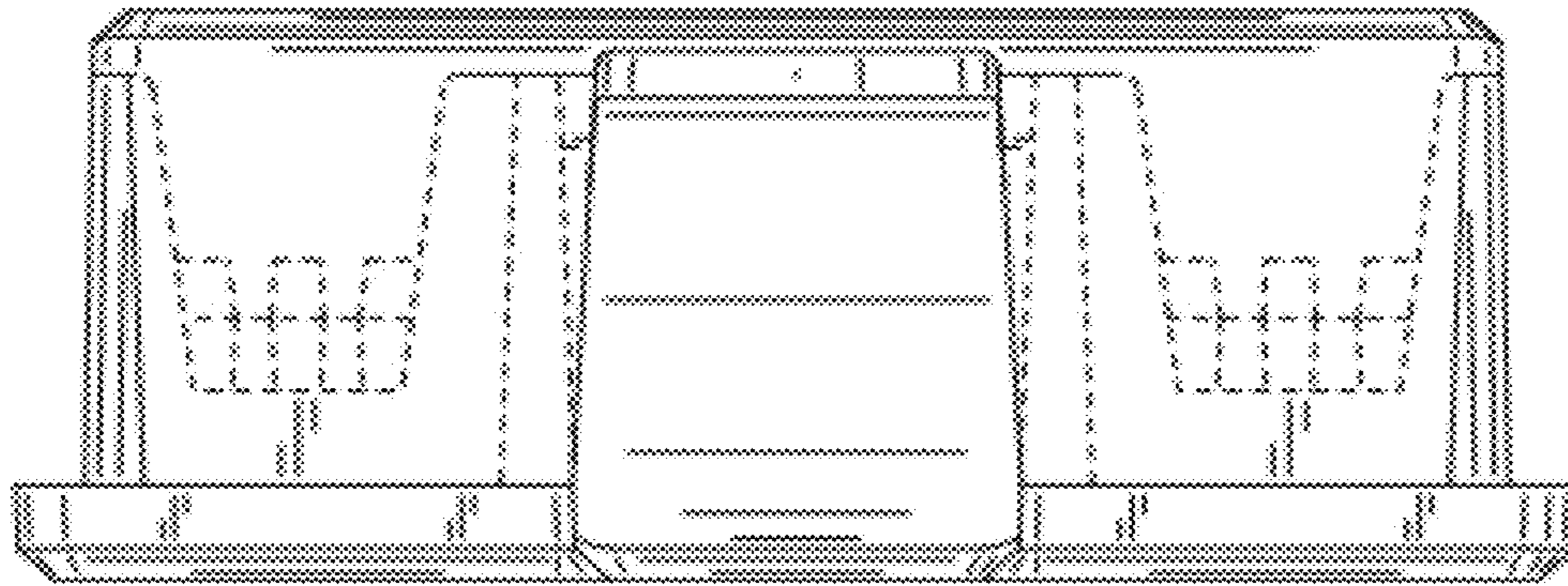


FIG. 2

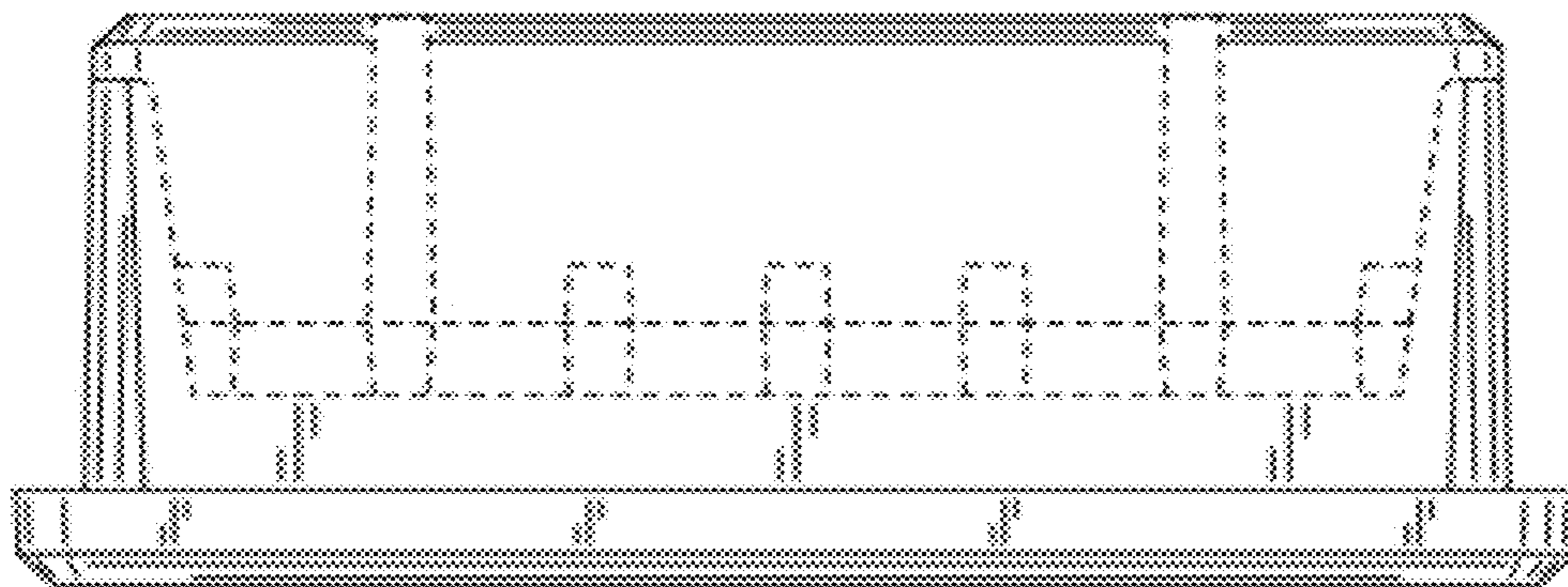


FIG. 3

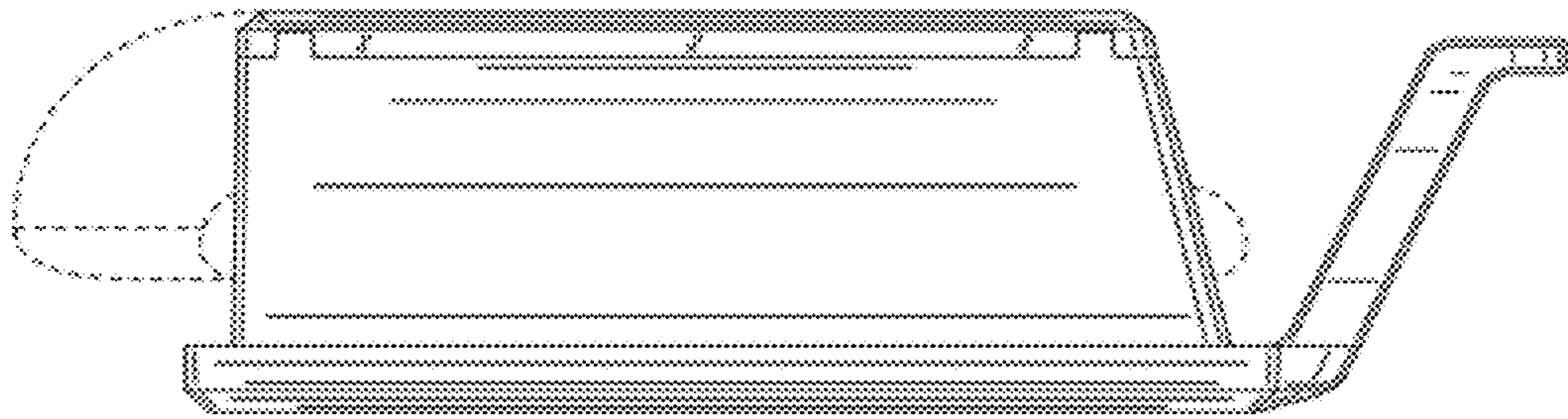


FIG. 4

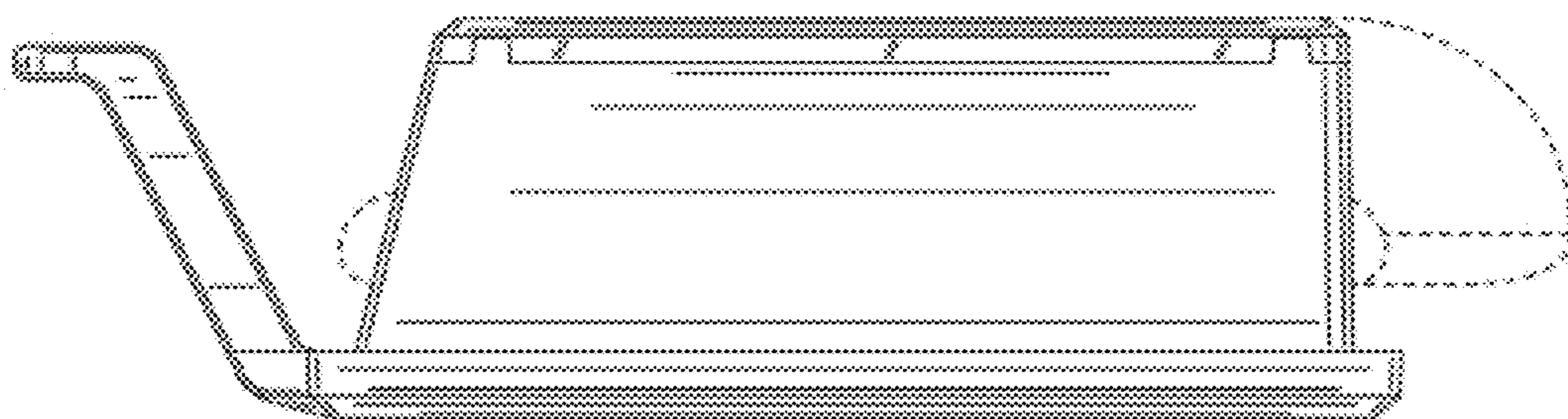


FIG. 5

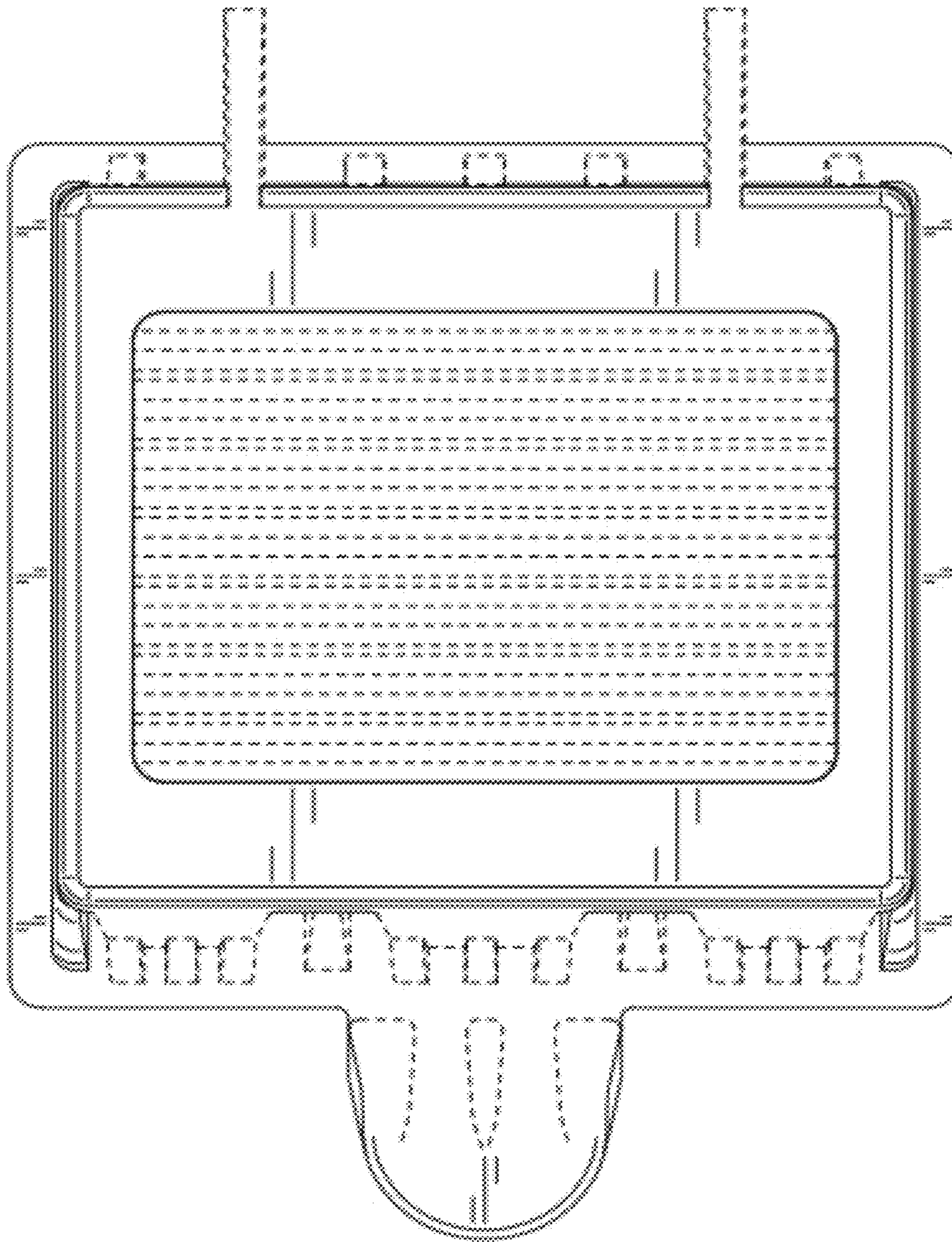


FIG. 6

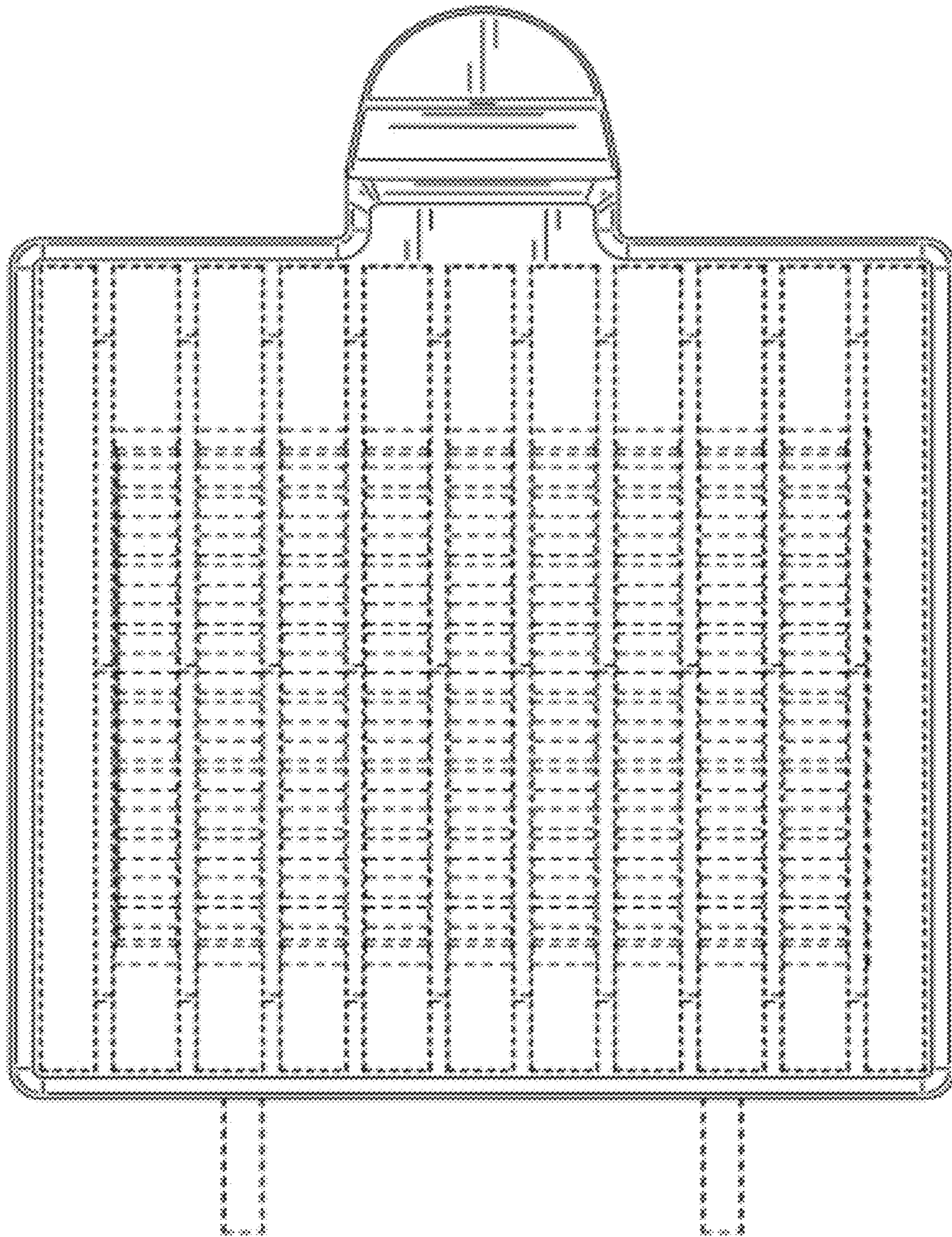


FIG. 7