



US00D672927S

(12) **United States Design Patent**
Bertsch

(10) **Patent No.:** **US D672,927 S**

(45) **Date of Patent:** **** Dec. 18, 2012**

(54) **ANIMAL ENTERTAINMENT BALL**

(75) Inventor: **Patrick Bertsch**, Thornton, CO (US)

(73) Assignee: **Doskocil Manufacturing Company, Inc.**, Arlington, TX (US)

(**) Term: **14 Years**

(21) Appl. No.: **29/386,639**

(22) Filed: **Mar. 3, 2011**

(51) **LOC (9) Cl.** **30-99**

(52) **U.S. Cl.** **D30/160**

(58) **Field of Classification Search** D30/158,
D30/160; 119/702, 705-710; D21/707,
D21/713-714, 498; D24/101-102; 434/211,
434/403; 473/281, 595-596

See application file for complete search history.

(56) **References Cited**

U.S. PATENT DOCUMENTS

5,343,828	A *	9/1994	Houghton et al.	119/709
D388,559	S *	12/1997	Mauldin, Jr.	D30/160
6,237,538	B1 *	5/2001	Tsengas	119/707
7,261,432	B1 *	8/2007	Habitz	362/196
7,500,450	B2 *	3/2009	Wolfe et al.	119/709
7,640,894	B2 *	1/2010	Jager	119/710
D625,056	S *	10/2010	Kelly	D30/160
2006/0254531	A1 *	11/2006	Willinger	119/710
2008/0314331	A1 *	12/2008	DeGhionno	119/709
2009/0314221	A1 *	12/2009	Wang	119/707

* cited by examiner

Primary Examiner — Cathy A MacCormac

(74) *Attorney, Agent, or Firm* — Eckert Seamans Cherin & Mellott, LLC; Brij K. Agarwal

(57) **CLAIM**

The ornamental design for an animal entertainment ball, as shown and described.

DESCRIPTION

FIG. 1 is a first perspective view of an animal entertainment ball showing my new design and generally depicting the front and upper regions;

FIG. 2 is a second perspective view of the animal entertainment ball generally depicting the rear and lower regions thereof;

FIG. 3 is a front elevational view of the animal entertainment ball;

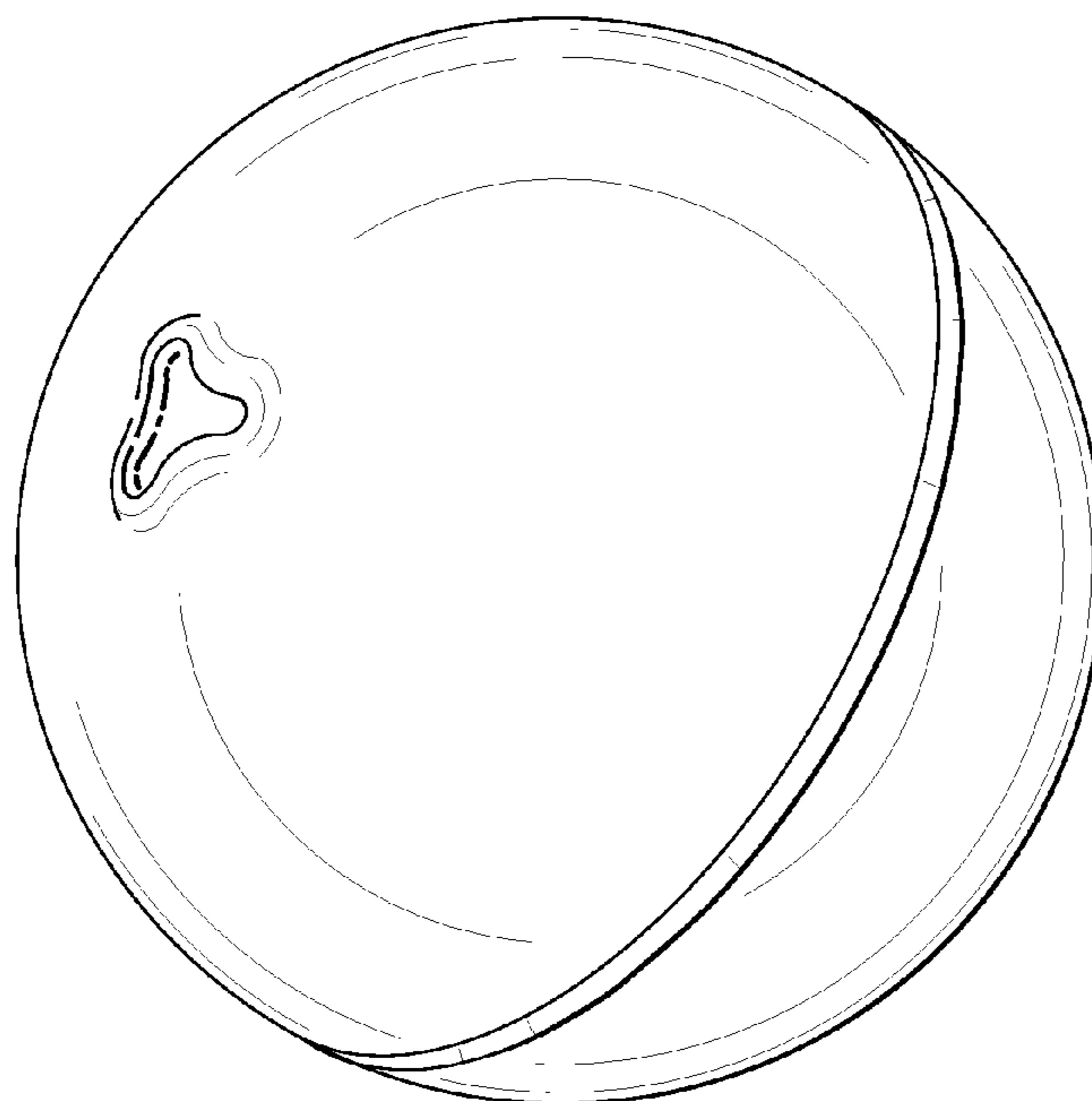
FIG. 4 a rear elevational view of the animal entertainment ball;

FIG. 5 is a right side elevational view of the animal entertainment ball; and,

FIG. 6 is a left side elevational view of the animal entertainment ball.

The broken lines illustrate a boundary line and form no part of the claimed design. The space within the boundary lines forms no part of the claim.

1 Claim, 3 Drawing Sheets



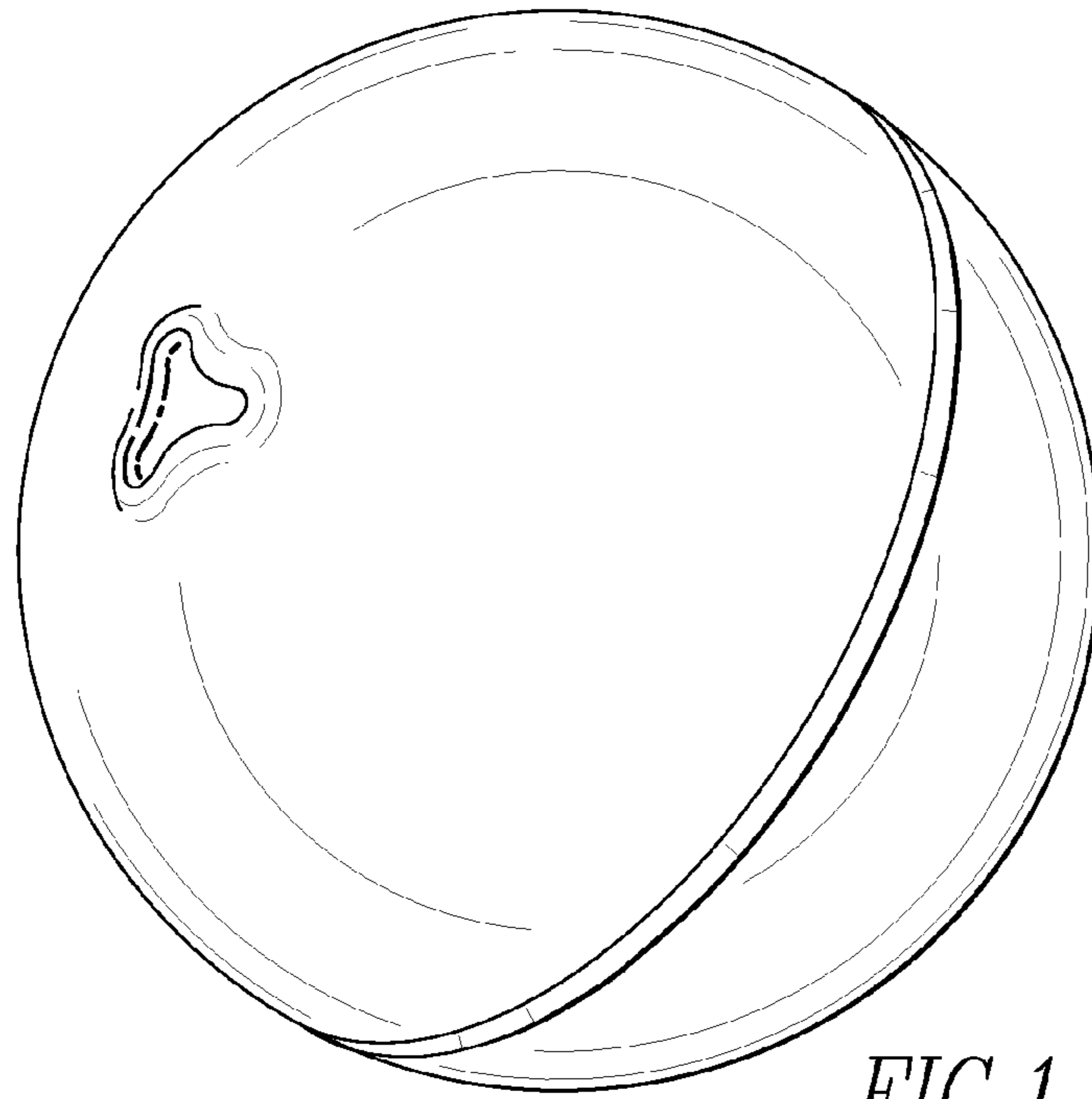


FIG. 1

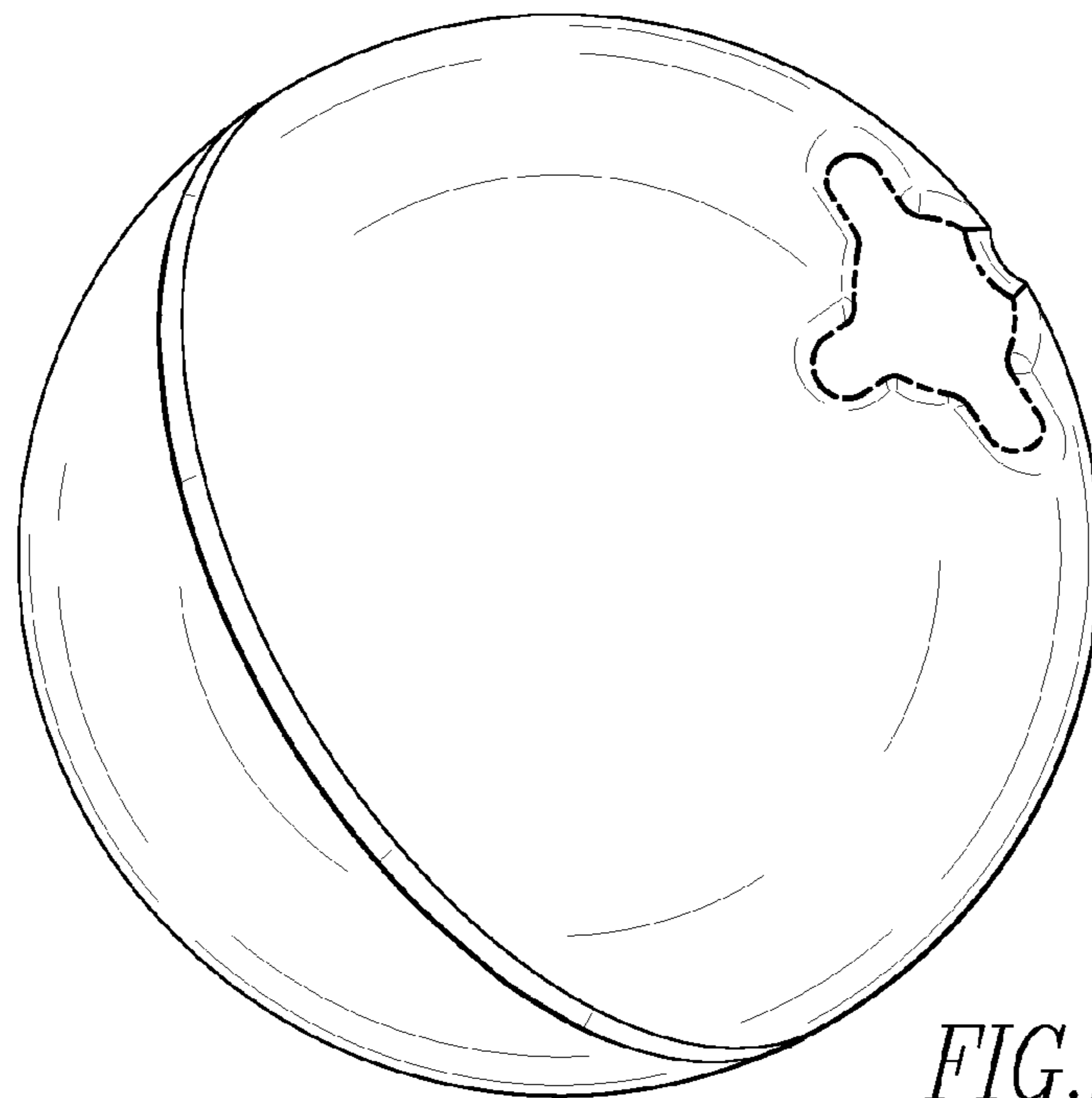


FIG. 2

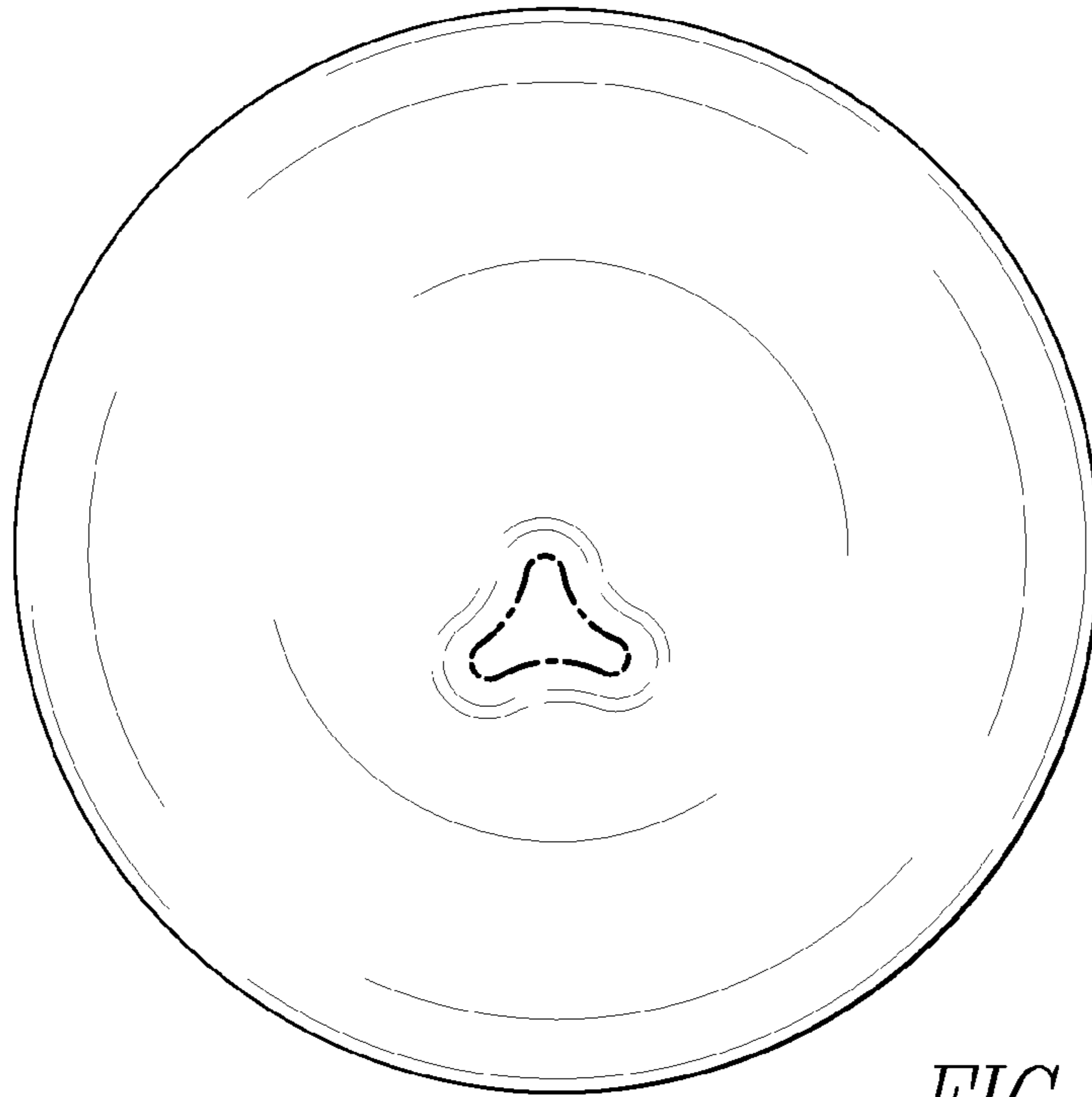


FIG. 3

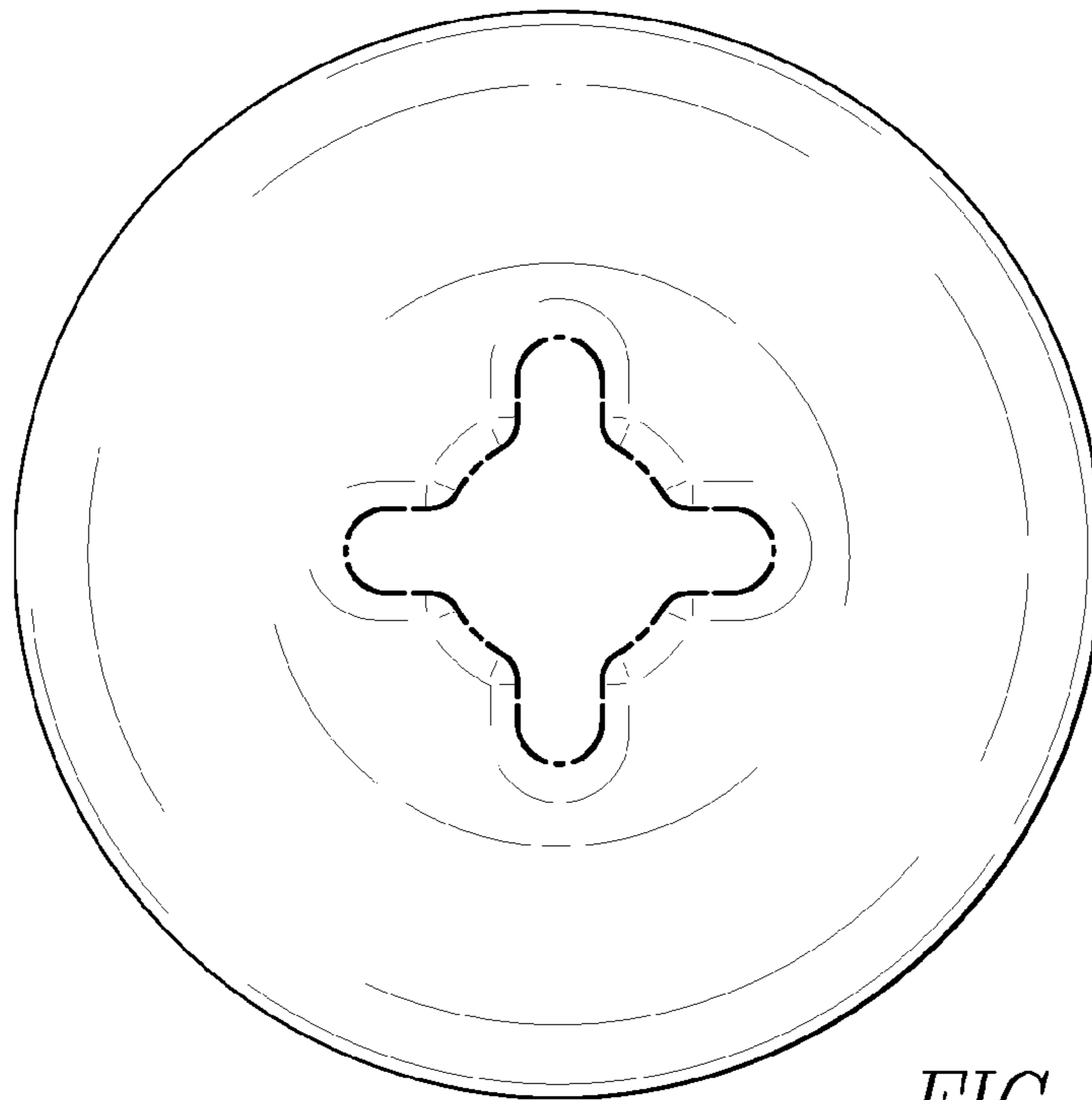


FIG. 4

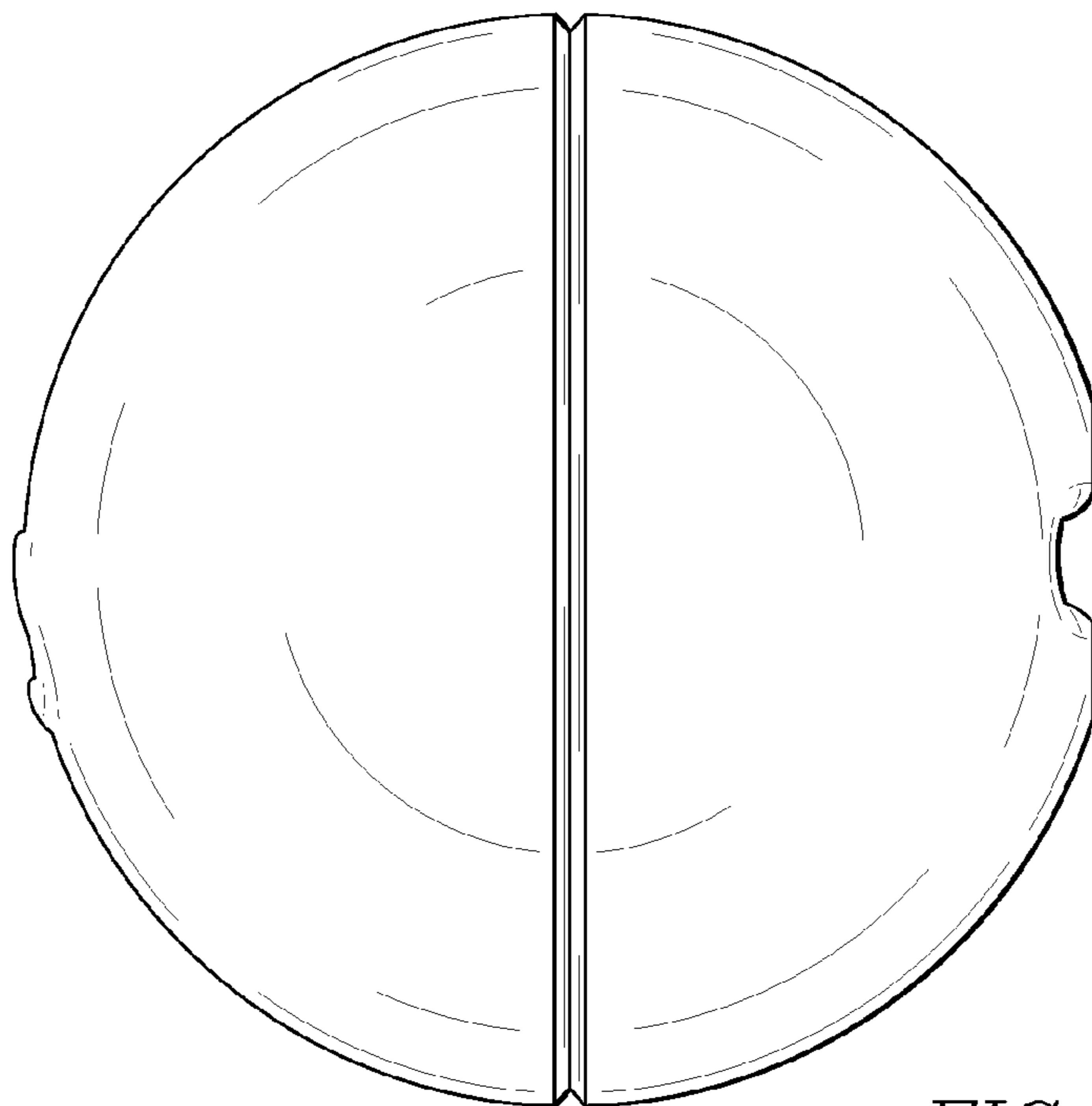


FIG. 5

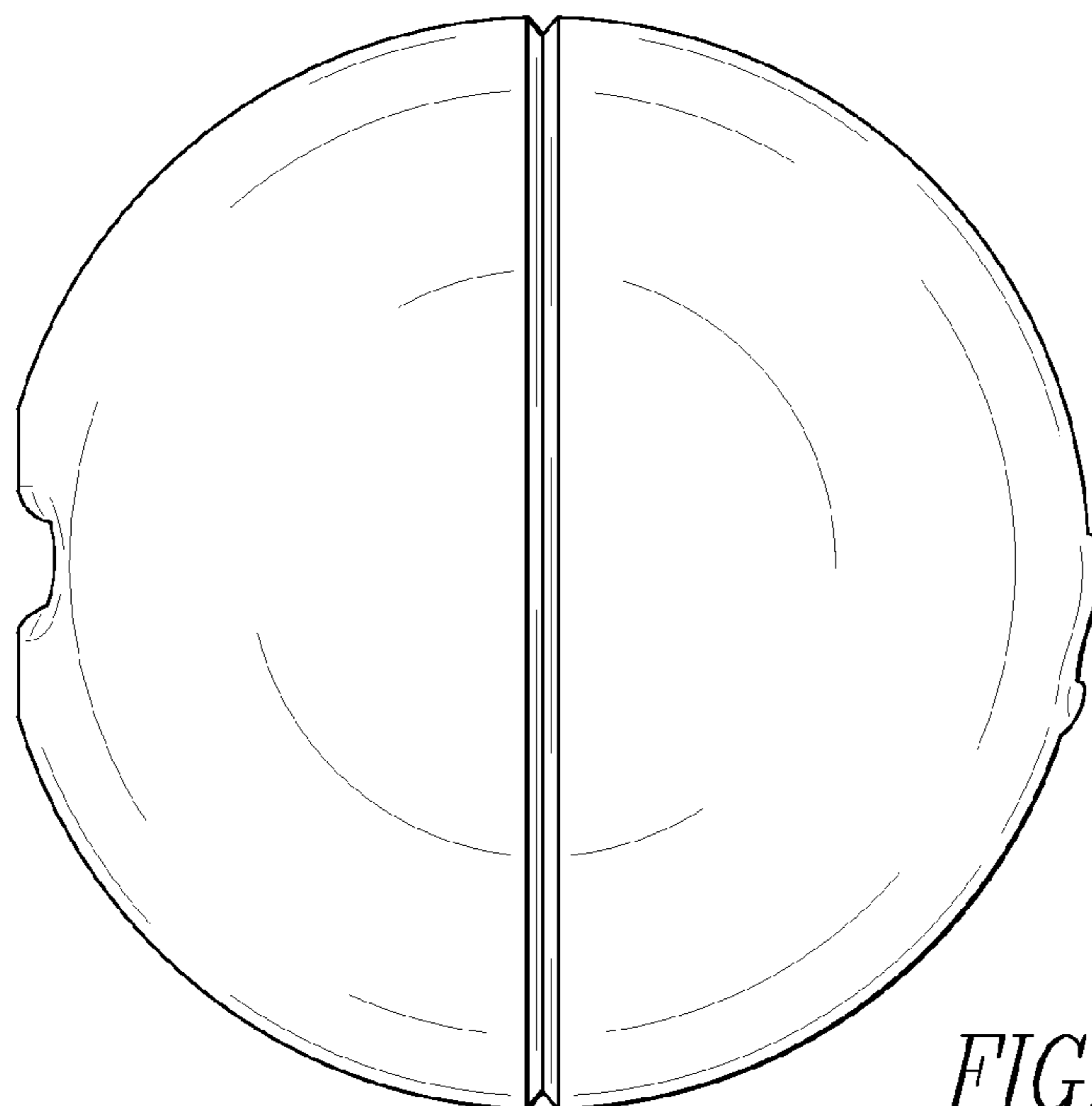


FIG. 6