



US00D672926S

(12) **United States Design Patent**
Strebeigh

(10) **Patent No.:** **US D672,926 S**

(45) **Date of Patent:** **** Dec. 18, 2012**

(54) **GROOMING TOOL**

(76) Inventor: **Timothy Lee Strebeigh**, Santa Rosa, CA
(US)

(**) Term: **14 Years**

(21) Appl. No.: **29/418,045**

(22) Filed: **Apr. 11, 2012**

(51) **LOC (9) Cl.** **30-05**

(52) **U.S. Cl.** **D30/158**

(58) **Field of Classification Search** D30/158-159,
D30/199; 119/600, 601, 604-606, 609-619,
119/625, 628-633; D4/132-138, 100-102,
D4/122, 127, 119, 114, 199; D8/106, 107,
D8/13, 45, 14, DIG. 4, DIG. 7, DIG. 8; 401/28;
132/119-121, 152, 154, 147-150, 108-110,
132/112-115; D28/31, 63, 30, 25, 44, 44.1,
D28/45-48, 52-53; 15/50.1-50.3, 55, 57,
15/71, 77, 79.1, 104.002, 105-106, 143.1,
15/159.1, 160, 186-188, 169, 236.01, 236.02,
15/245, 117, 121, 245.1; 56/400.01, 400.17,
56/400.21; 81/177.7, 489, 177.1, 436-440;
16/426, 421, 422, 110.1, 430, DIG. 12, DIG. 19,
16/431; 30/353, 32, 34.05, 47, 49, 526, 527,
30/169, 171, 216; D24/147, 133; D7/688,
D7/393, 395, 401.2; 606/161; D32/40, 41,
D32/49, 46, 51

See application file for complete search history.

(56) **References Cited**

U.S. PATENT DOCUMENTS

D108,440	S	*	2/1938	Hanley	D28/51
2,178,019	A		4/1939	Knuteson		
2,720,696	A	*	10/1955	Wadsworth	30/41.5
D179,584	S	*	1/1957	Wahl et al.	D28/53
2,827,695	A		3/1958	Vitale		
D192,424	S	*	3/1962	Myers et al.	D28/53

D199,675	S	*	12/1964	Dreyfuss	D28/53
3,209,455	A		10/1965	Gnage		
3,245,145	A	*	4/1966	Buford	30/43.5
3,581,396	A		6/1971	Broussard		
D221,504	S	*	8/1971	Seiffert	D28/51
D233,571	S	*	11/1974	Ono et al.	D28/53
3,981,275	A	*	9/1976	Schimoler	119/610
3,999,295	A		12/1976	Du Bois		
4,776,095	A	*	10/1988	Tsujimoto et al.	30/201
D302,743	S	*	8/1989	Wahl et al.	D28/53
4,868,988	A		9/1989	Han		
D306,497	S	*	3/1990	Higa et al.	D28/49
D319,514	S	*	8/1991	Elkerbout	D28/44.1

(Continued)

OTHER PUBLICATIONS

Spectrum Brands, Inc., Madison, WI; Remington Shortcut Clipper Use and Care Guide for models SCC-100R and SCC-100RC; 19 pages, dated Jan. 15, 2008.

(Continued)

Primary Examiner — Susan Moon Lee

(74) *Attorney, Agent, or Firm* — Aileen Law; A Law Firm, PC

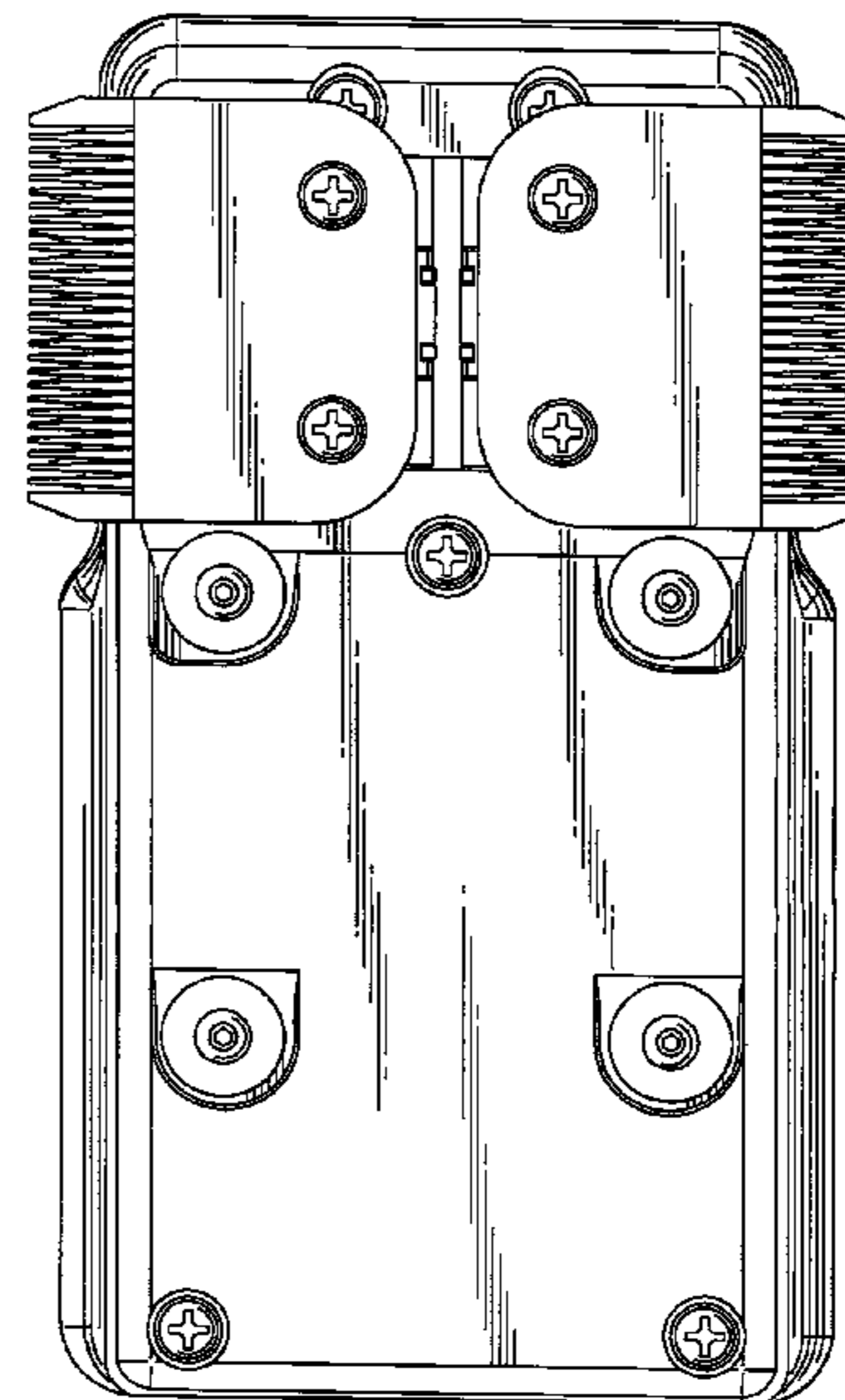
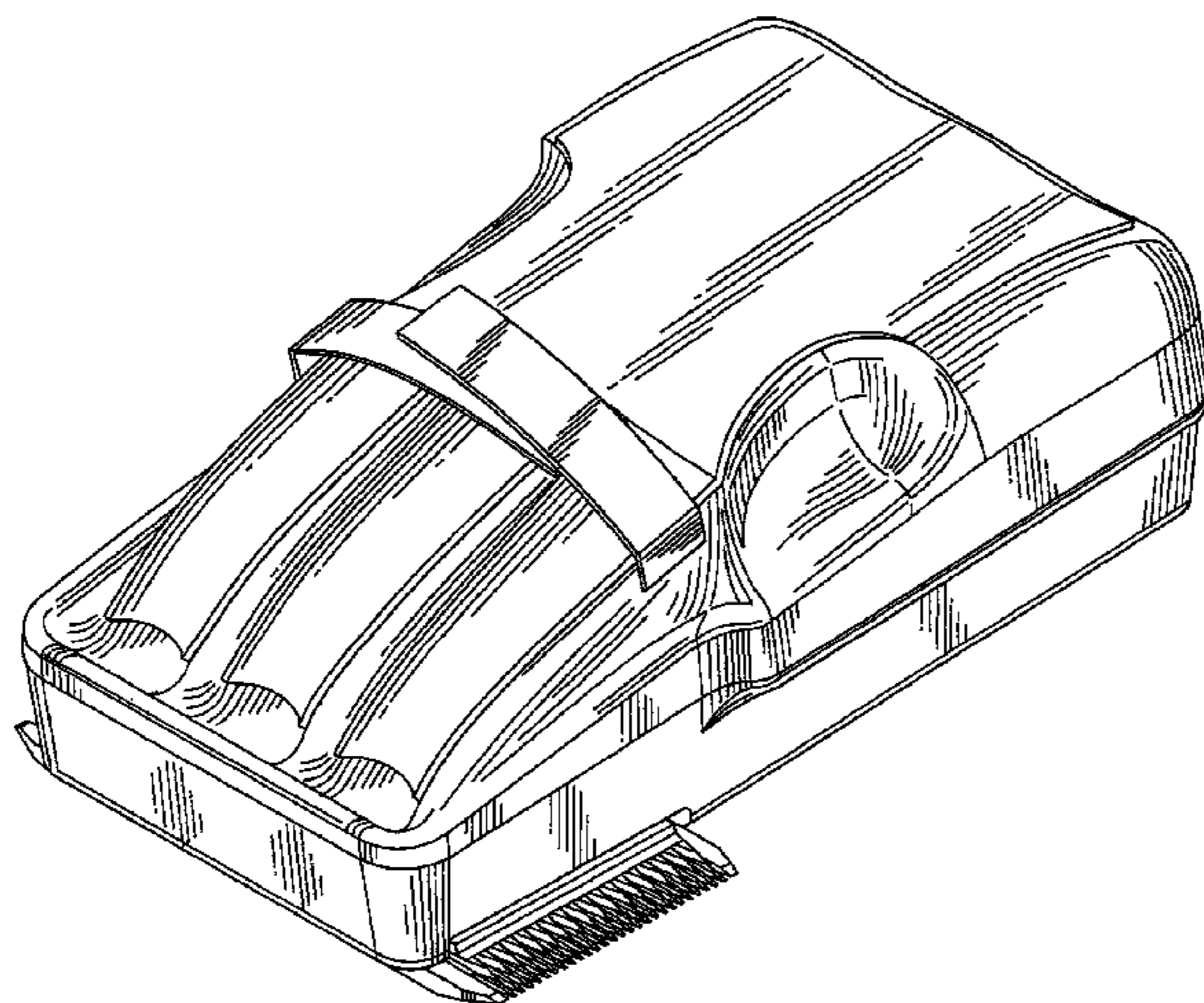
(57) **CLAIM**

The ornamental design for a grooming tool, as shown and described.

DESCRIPTION

FIG. 1 is a front and right perspective view of my new design for a grooming tool;
FIG. 2 is a top plan view of FIG. 1;
FIG. 3 is a bottom plan view of FIG. 1;
FIG. 4 is a right side elevation view of FIG. 1;
FIG. 5 is a left side elevation view of FIG. 1;
FIG. 6 is a front elevation view thereof; and,
FIG. 7 is a back elevation view thereof.

1 Claim, 4 Drawing Sheets



US D672,926 S

Page 2

U.S. PATENT DOCUMENTS

5,050,304 A * 9/1991 Fujikawa et al. 30/196
5,050,305 A * 9/1991 Baker et al. 30/201
5,060,380 A 10/1991 Fujikawa
5,123,159 A 6/1992 Kubo et al.
D328,367 S * 7/1992 Ishibashi et al. D28/49
5,237,750 A * 8/1993 Nakano et al. 30/131
D344,134 S * 2/1994 Dingelstad et al. D28/44.1
D348,543 S * 7/1994 Melton D28/54
5,325,589 A * 7/1994 Kubo 30/201
5,377,411 A 1/1995 Andriotis
5,404,644 A 4/1995 Needham et al.
D365,890 S * 1/1996 Bone D28/53
D367,946 S * 3/1996 Akashi et al. D28/51
D369,230 S * 4/1996 Bone D28/53
D369,436 S * 4/1996 Barker D28/53
D376,010 S * 11/1996 Kip D28/44.1
D377,981 S * 2/1997 Schneider D28/44.1
D392,412 S * 3/1998 Kip D28/10
D398,419 S * 9/1998 Yaow D28/53
D402,402 S * 12/1998 Schneider et al. D28/44
D422,759 S * 4/2000 Cady et al. D30/158
D424,242 S * 5/2000 Picozza et al. D28/53
D430,353 S * 8/2000 Yaow D28/53
6,125,545 A * 10/2000 Yamaguchi et al. 30/233.5
D435,936 S * 1/2001 Long et al. D28/54
D436,692 S * 1/2001 Larsen D28/54
D458,411 S * 6/2002 Abraham et al. D28/53
6,502,312 B2 1/2003 Beutel et al.
D476,773 S * 7/2003 Rizzuto et al. D28/53
6,618,948 B2 * 9/2003 Lin 30/233.5
D482,821 S * 11/2003 Seifert D28/44.1
6,684,511 B2 * 2/2004 McCambridge et al. 30/216
6,742,262 B2 * 6/2004 Rizzuto et al. 30/201
D497,452 S * 10/2004 Nielsen et al. D28/53
D500,392 S * 12/2004 Buck et al. D28/54

D517,730 S * 3/2006 Bauwens D28/53
7,073,262 B2 * 7/2006 Melton 30/233.5
D534,689 S * 1/2007 Gross et al. D28/53
D537,206 S * 2/2007 Ullmann D28/49
D545,000 S * 6/2007 Marquez D28/53
D558,924 S 1/2008 Cafaro et al.
D577,865 S * 9/2008 Long et al. D28/54
D597,253 S * 7/2009 Eddinger et al. D28/54
D597,254 S * 7/2009 Eddinger et al. D28/54
D606,260 S * 12/2009 Carlucci et al. D28/53
D621,096 S * 8/2010 Maguire et al. D28/51
7,975,387 B2 * 7/2011 Mikula et al. 30/201
8,132,540 B1 * 3/2012 Strebeigh 119/610
8,191,262 B2 * 6/2012 Palmer et al. 30/34.05
2003/0051347 A1 * 3/2003 Melton et al. 30/123
2003/0125754 A1 * 7/2003 Davis et al. 606/133
2008/0072430 A1 3/2008 Cafaro et al.
2008/0155834 A1 * 7/2008 Li et al. 30/210

OTHER PUBLICATIONS

Philips Electronics Ltd., Markham, Ontario, CA; Product Leaflet for Philips Hair Clipper Model No. QC5170; 2 pages; dated Jul. 17, 2009.

Wahl Clipper Corporation, Sterling, IL, Wahl Pocket Pro(R) Compact Trimmer Model No. 9861-700; http://www.wahlanimal.com/ax_commerce/shp_detail.cfm?category=BFCC3BF6-01E5-4821-C1796113BB19D9D1&productID=2D247D70-CB3B-B585-6A4909EEB872DFB9; 1 page, printed Dec. 22, 2009 (original publication date unknown).

Kim Laube & Co., Inc., Oxnard, CA; Laube Trimmer Kits; www.kimlaubecoshop.com/trimmerkits.aspx, three pages, printed Dec. 22, 2009 (original publication date unknown).

* cited by examiner

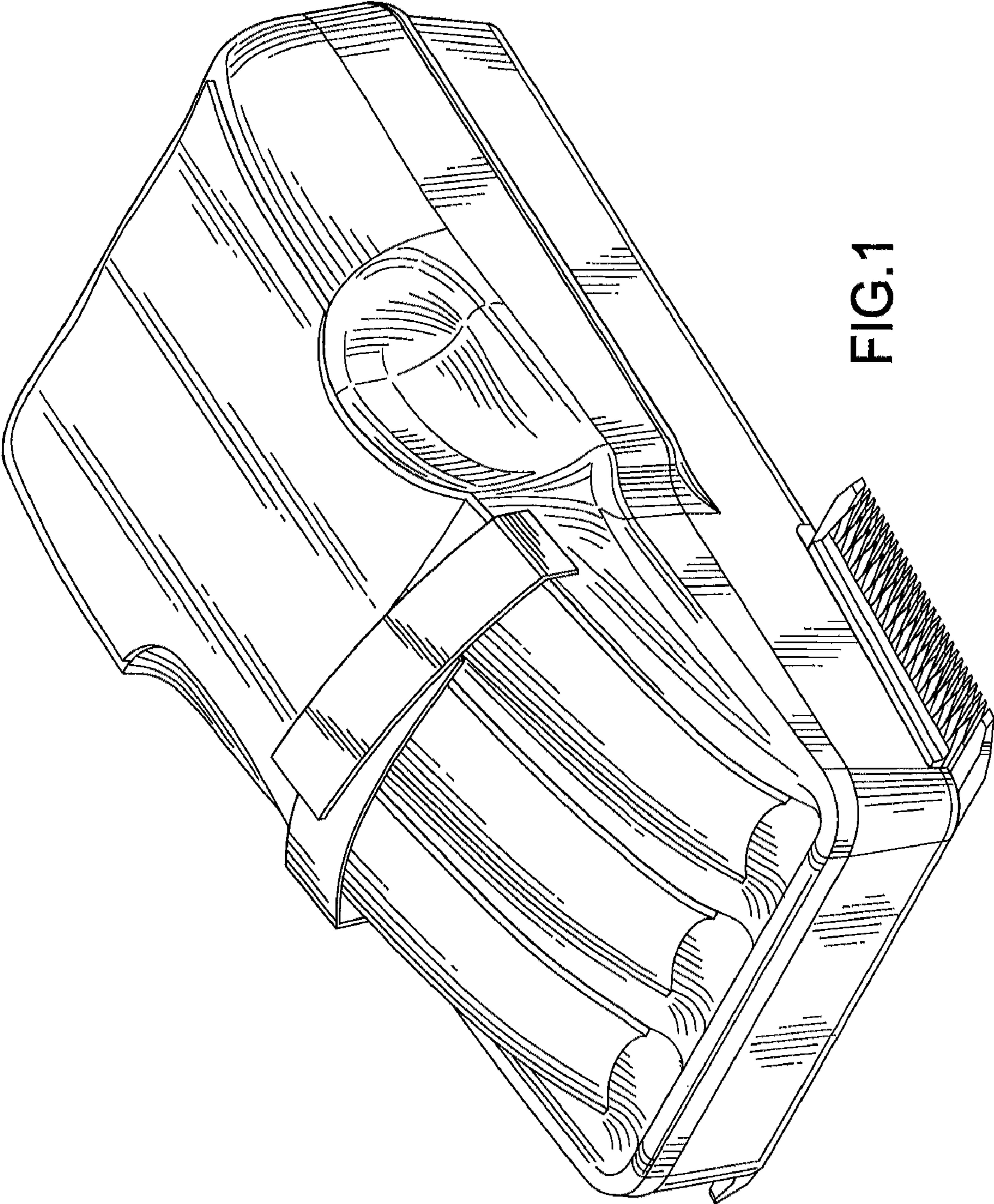


FIG.1

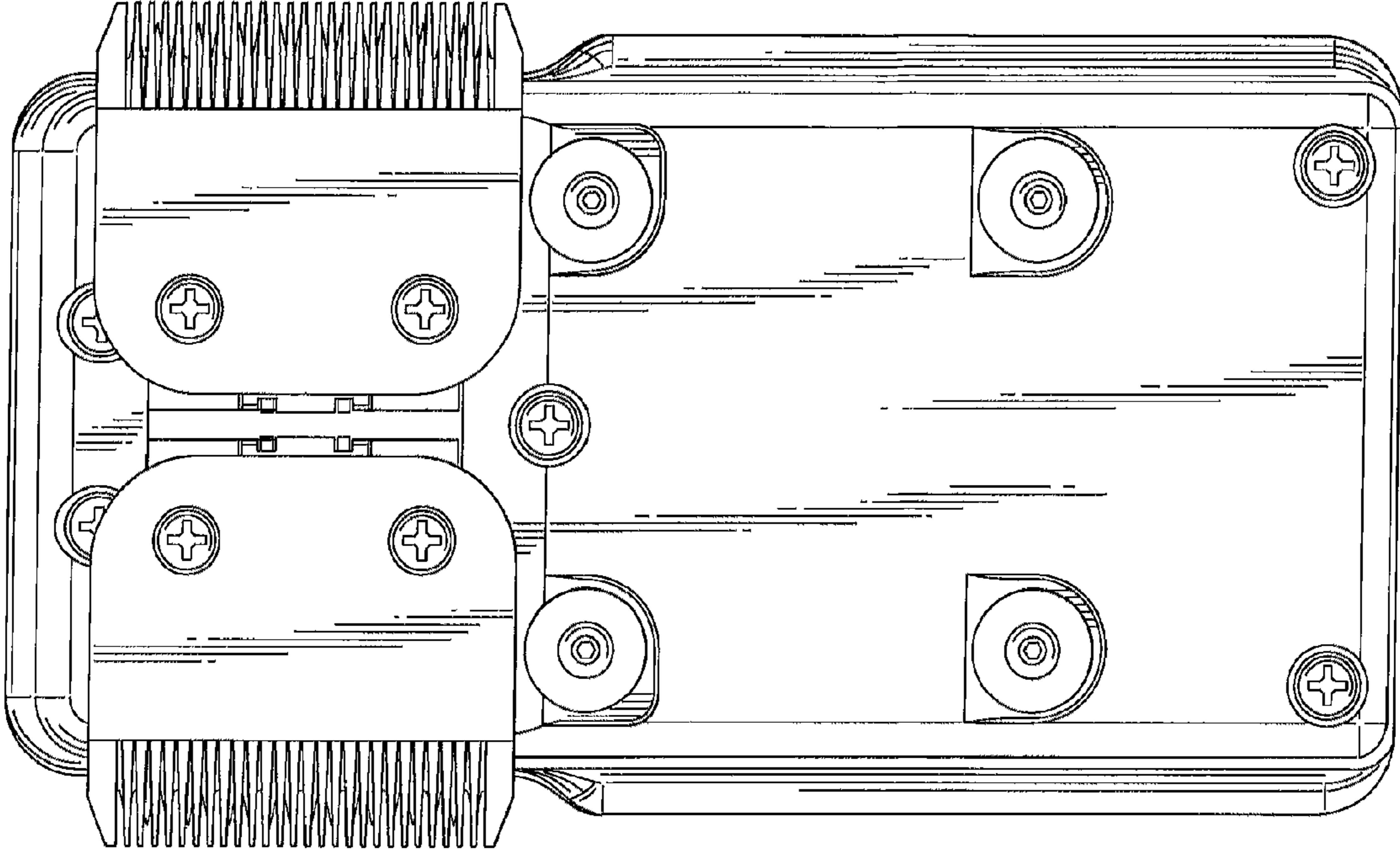


FIG.3

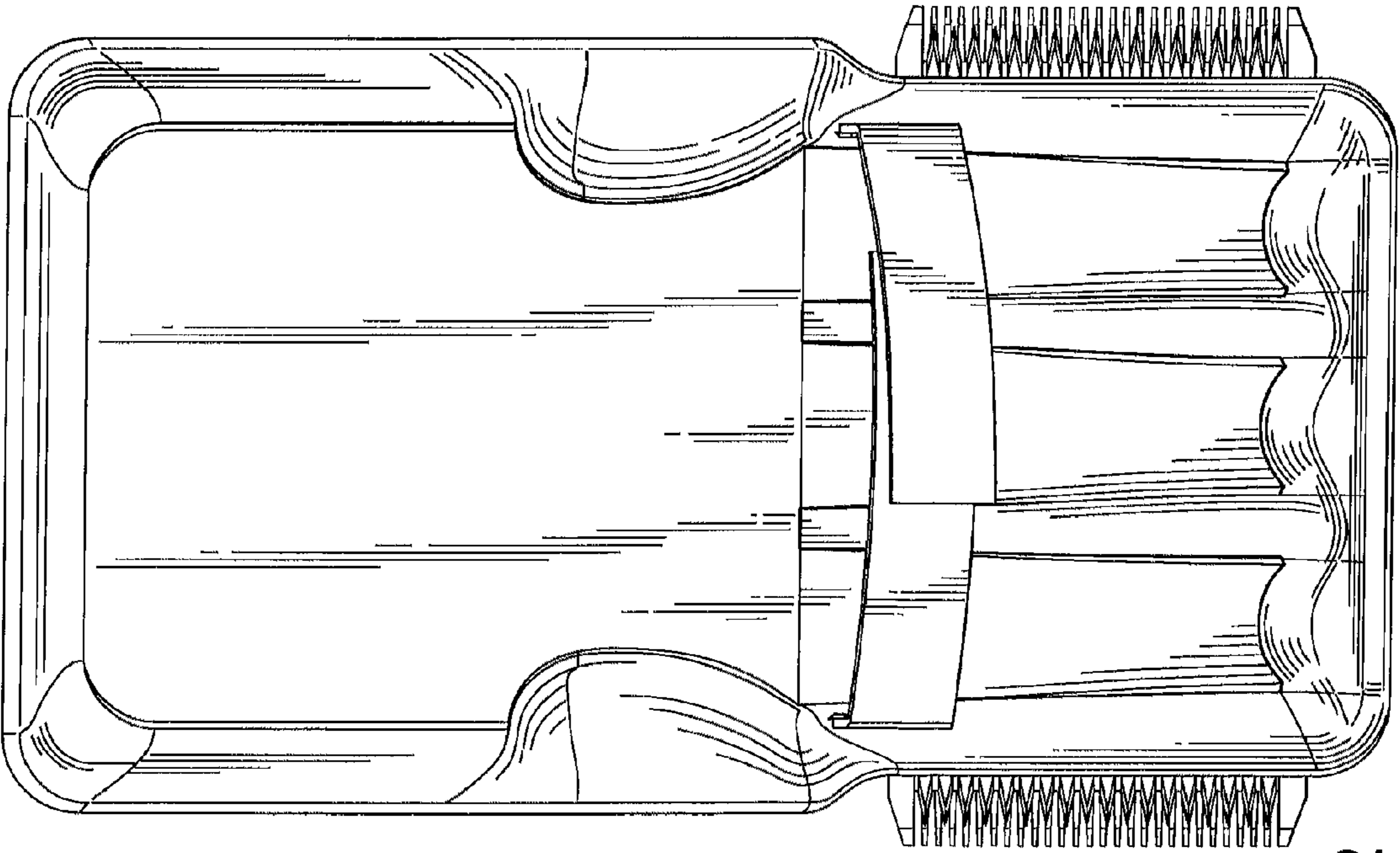


FIG.2

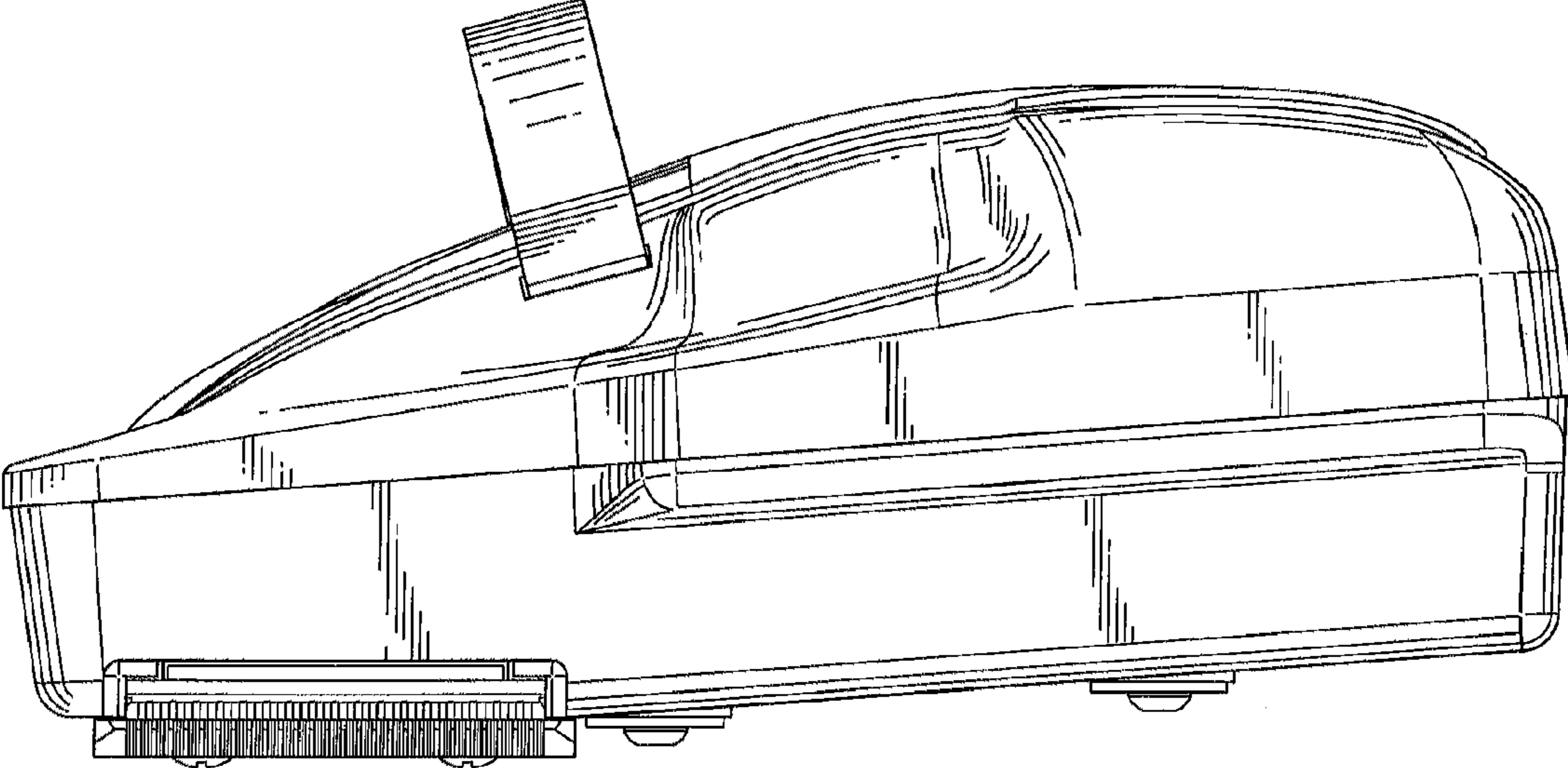


FIG. 4

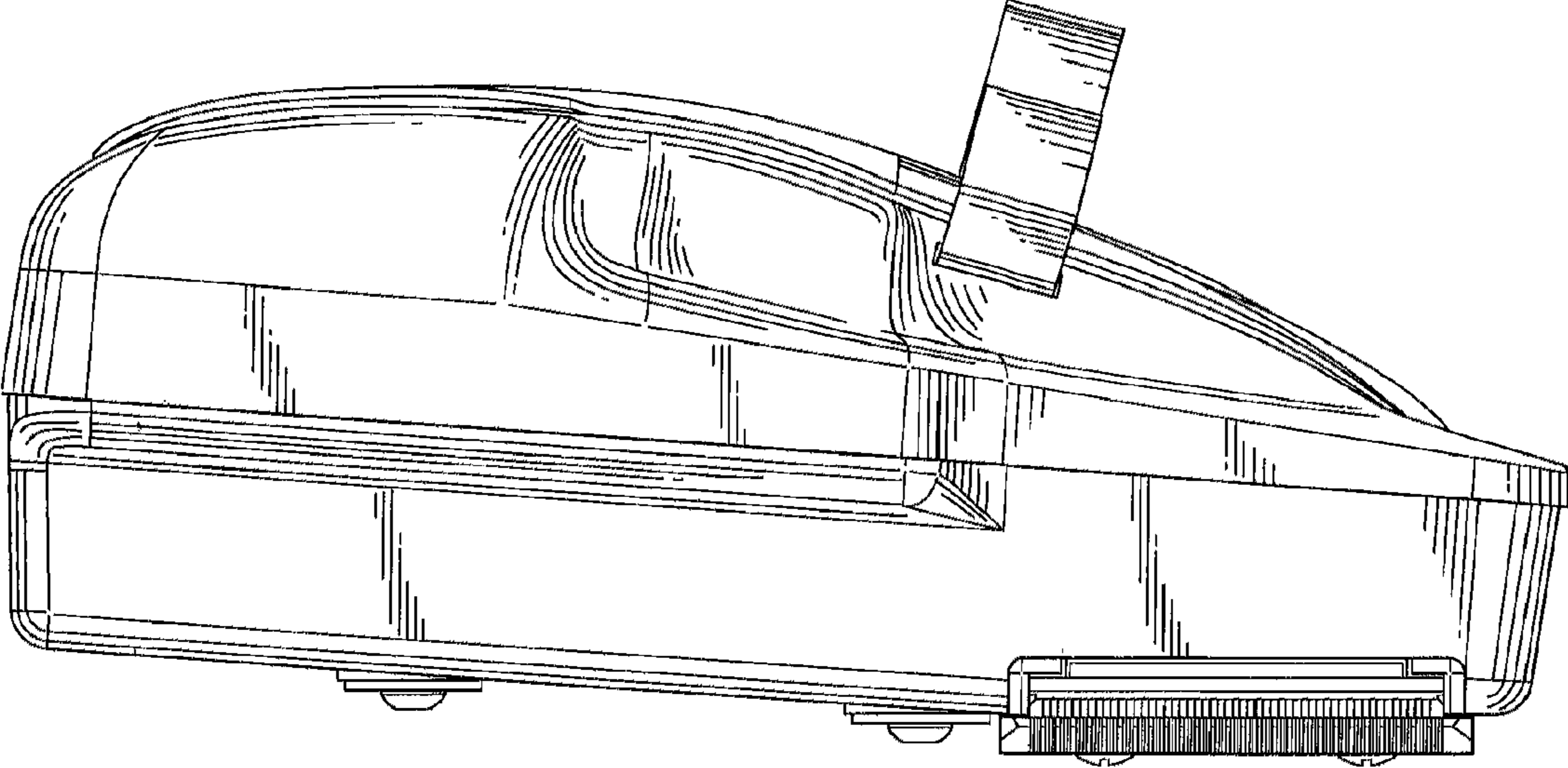


FIG. 5

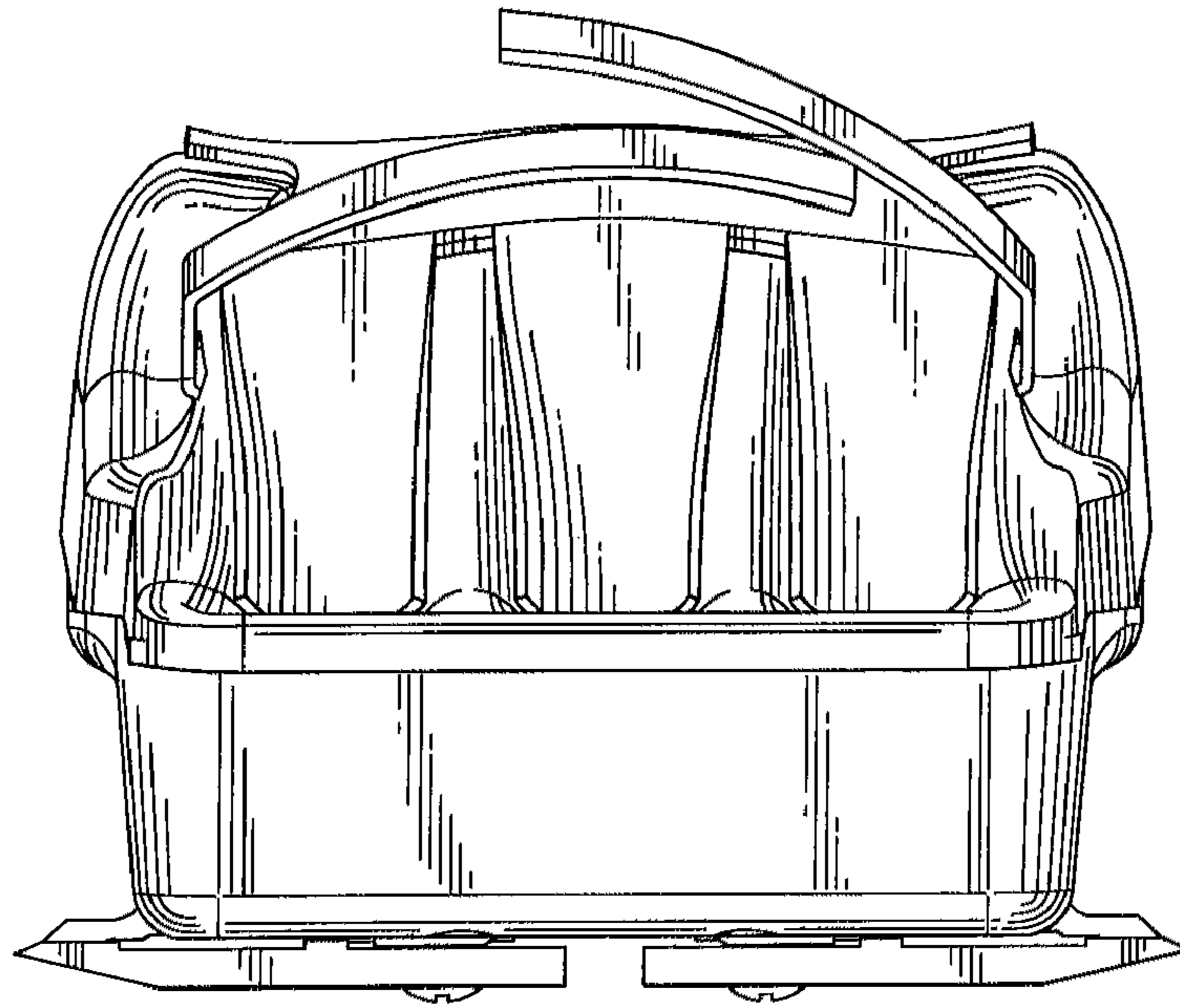


FIG. 6

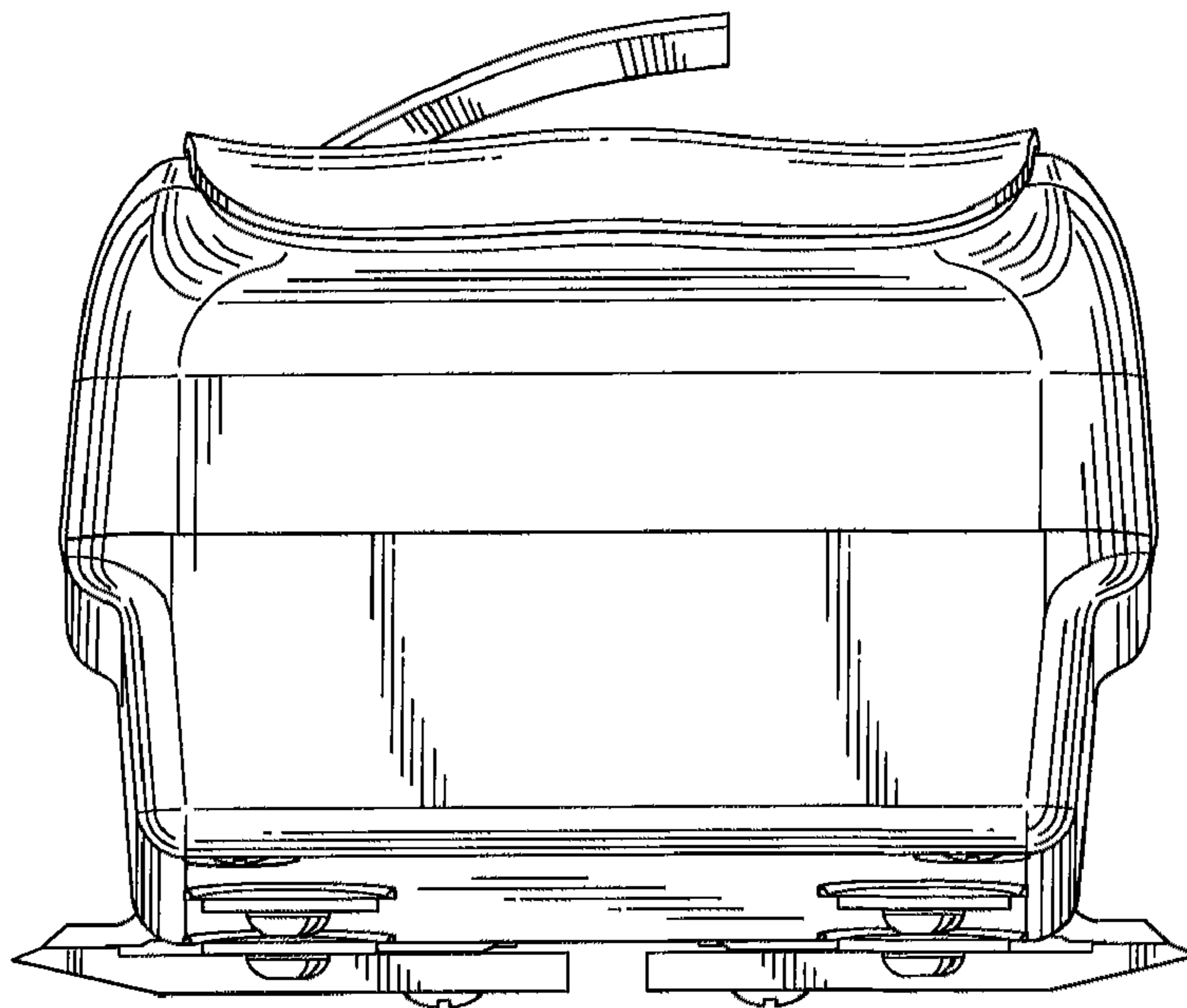


FIG. 7