



US00D672925S

(12) **United States Design Patent**
Hungerford

(10) **Patent No.:** **US D672,925 S**

(45) **Date of Patent:** **** Dec. 18, 2012**

(54) **ANIMAL SCRATCHER AND MASSAGER**

(76) Inventor: **David F. Hungerford**, Chico, CA (US)

(**) Term: **14 Years**

(21) Appl. No.: **29/416,663**

(22) Filed: **Mar. 26, 2012**

(51) **LOC (9) Cl.** **30-99**

(52) **U.S. Cl.** **D30/158**

(58) **Field of Classification Search** D30/158,
D30/159, 199, 162, 106; 119/625, 633, 600,
119/617, 628, 632, 631; 132/126, 142; 30/114,
30/130, 301, 305, 315, 316, 299, 303, 306,
30/169, 322; D7/672-676, 687, 686, 634,
D7/619, 688, 653; 425/298; 426/503; D4/136,
D4/127, 124-126; D32/42, 25; D23/261;
2/160; 172/379, 380; D6/415, 410, 411;
294/1.3, 1.5, 55, 99.1, 49, 7, 9, 99.2, 118,
294/119, 19.2, 52; 209/418; D24/211, 147;
D21/532, 398; D19/36; 34/381, 103, 104,
34/107; D11/104, 86; 56/400.01, 400.1,
56/400.17, 400.21, 400.05, 400.04, 330;
403/329, 326, 361; 15/402, 142, 236.07,
15/236.08, 236.05; 601/137, 136, 80, 93,
601/95, 97, 101, 103, 138, 143-147; D28/91.2,
D28/63; D8/13, 6, 10, 11, 12, 1; 126/173,
126/214 C, 25 R; 99/450

See application file for complete search history.

(56) **References Cited**

U.S. PATENT DOCUMENTS

D35,313 S * 11/1901 Wert D24/211
2,664,630 A * 1/1954 Lawson 30/322
2,810,957 A * 10/1957 Nelson 30/324
D198,138 S * 5/1964 Langlie D8/13
D272,092 S * 1/1984 Masuda D24/211
D272,456 S * 1/1984 Clanton D21/532

D279,126 S * 6/1985 Kaeser D24/211
D280,664 S * 9/1985 Ishida D24/211
D284,342 S * 6/1986 Campbell D10/46.2
5,255,439 A * 10/1993 Liss 30/322
D342,293 S * 12/1993 Kino D21/532
D356,349 S * 3/1995 Kino D21/532
D375,332 S * 11/1996 Kino D21/532
D396,614 S * 8/1998 Cousins D7/688
D402,167 S * 12/1998 Durbin D7/692
D422,365 S * 4/2000 Chen D24/211
D422,366 S * 4/2000 Chen D24/211
D435,110 S * 12/2000 Chen D24/211
D446,091 S * 8/2001 Short D7/688
D480,280 S * 10/2003 Schulein D7/692
D495,803 S * 9/2004 Gough et al. D24/211
D496,565 S * 9/2004 Stewart et al. D7/691

(Continued)

Primary Examiner — Susan Moon Lee

(74) *Attorney, Agent, or Firm* — William Bodnar

(57) **CLAIM**

I claim the ornamental design for an animal scratcher and massager, as shown and described.

DESCRIPTION

FIG. 1 is a perspective view of the animal scratcher and massager.

FIG. 2 is a top view of the animal scratcher and massager.

FIG. 3 is a bottom view of the animal scratcher and massager.

FIG. 4 is a first side view of the animal scratcher and massager.

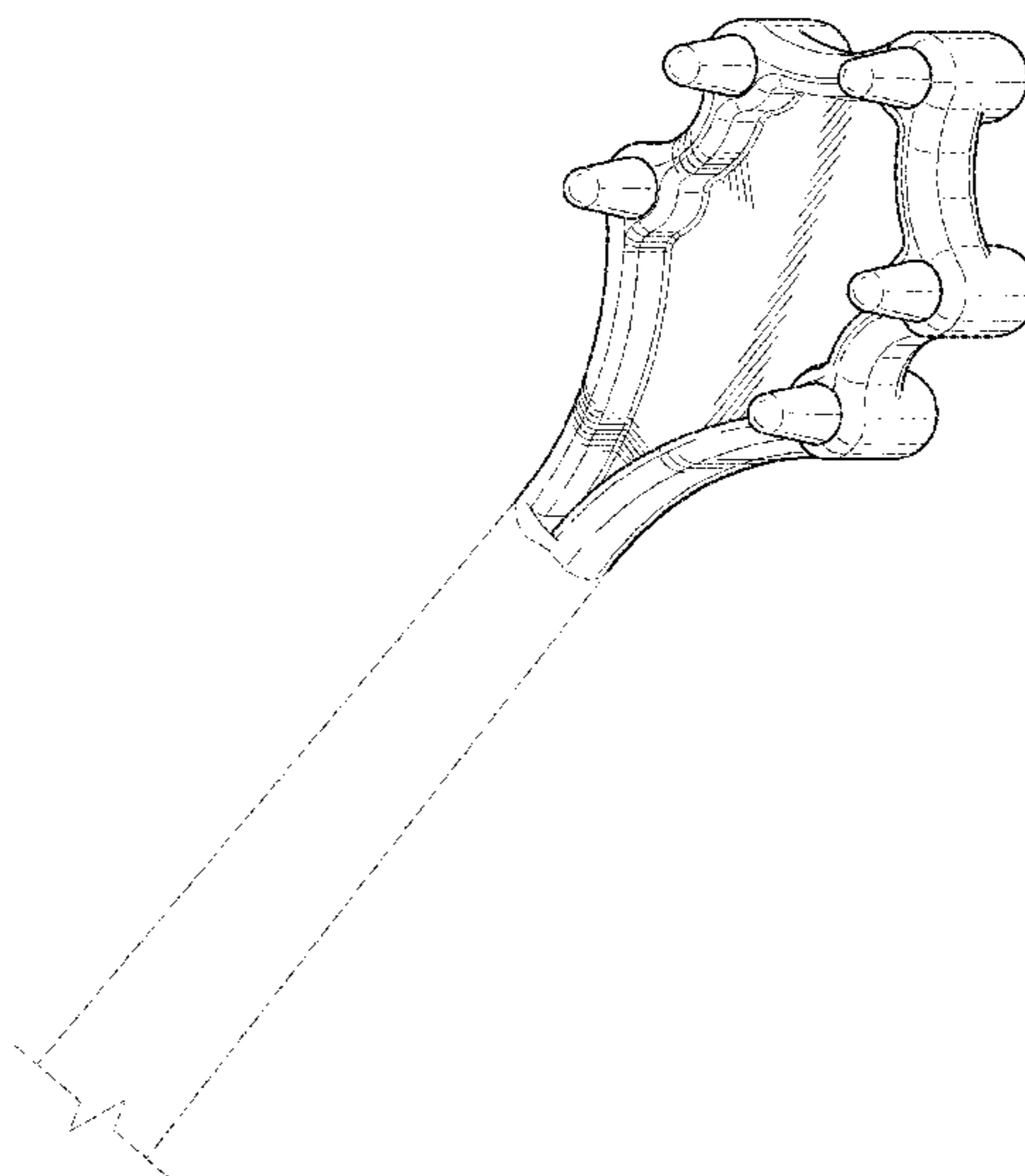
FIG. 5 is a second side view of the animal scratcher and massager.

FIG. 6 is a first end view of the animal scratcher and massager; and,

FIG. 7 is a second end view of the animal scratcher and massager.

Broken lines and portions contained within broken lines are not claimed.

1 Claim, 4 Drawing Sheets



US D672,925 S

Page 2

U.S. PATENT DOCUMENTS

D498,990 S *	11/2004	White et al.	D7/692	D584,058 S *	1/2009	Grant	D4/108
D499,186 S *	11/2004	Chien	D24/211	D598,720 S *	8/2009	Wu	D7/692
D508,830 S *	8/2005	Moore	D7/692	D614,818 S *	4/2010	Moore et al.	D30/158
D510,440 S *	10/2005	Huang	D24/211	2006/0253054 A1 *	11/2006	Wright	601/137
D557,750 S *	12/2007	Monzo	D21/398	2011/0217508 A1 *	9/2011	Forchette et al.	428/119

* cited by examiner

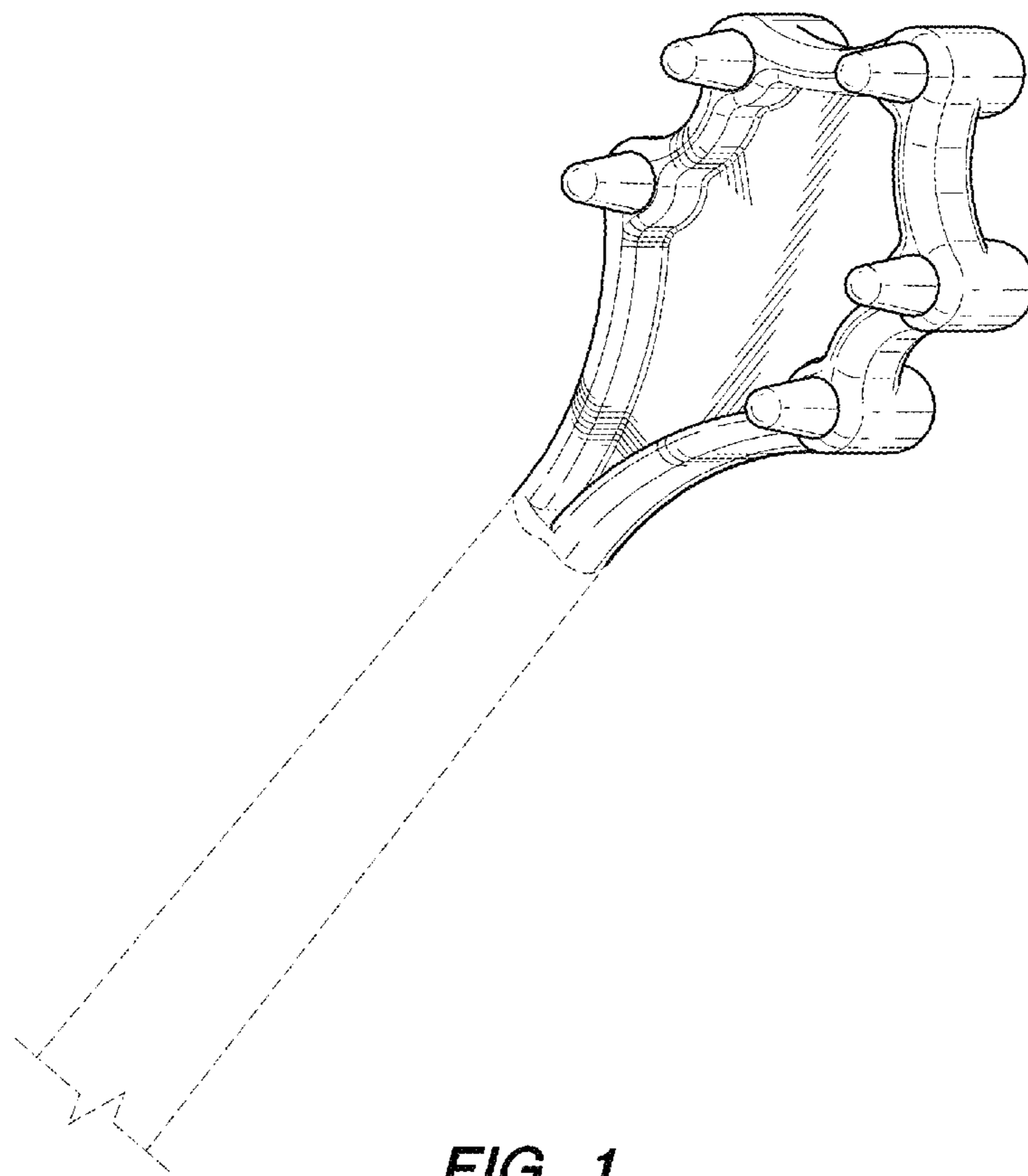


FIG. 1

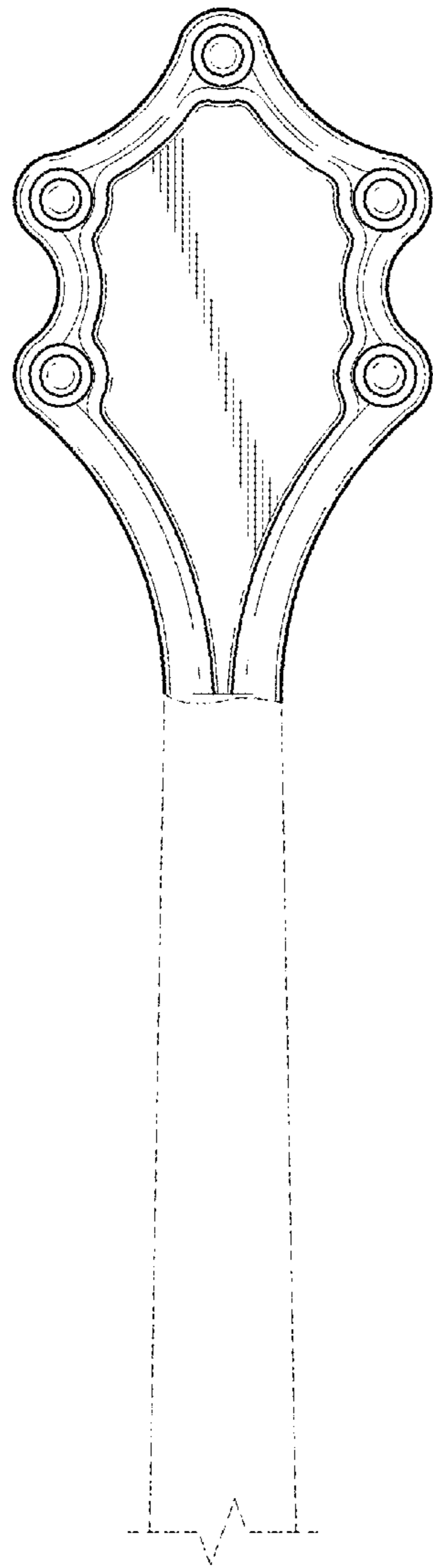


FIG. 2

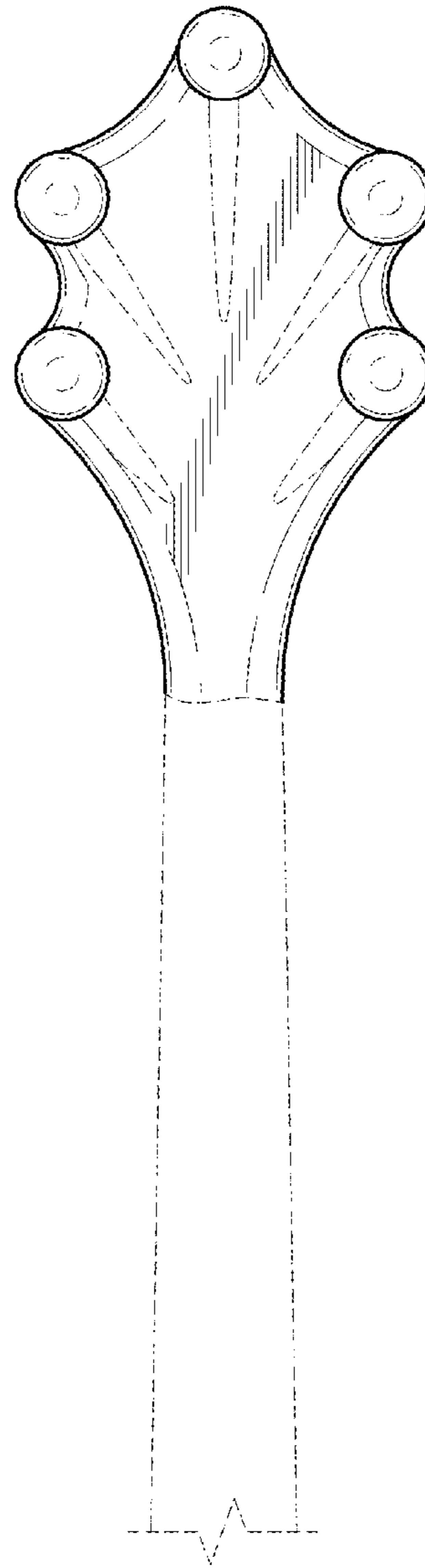


FIG. 3

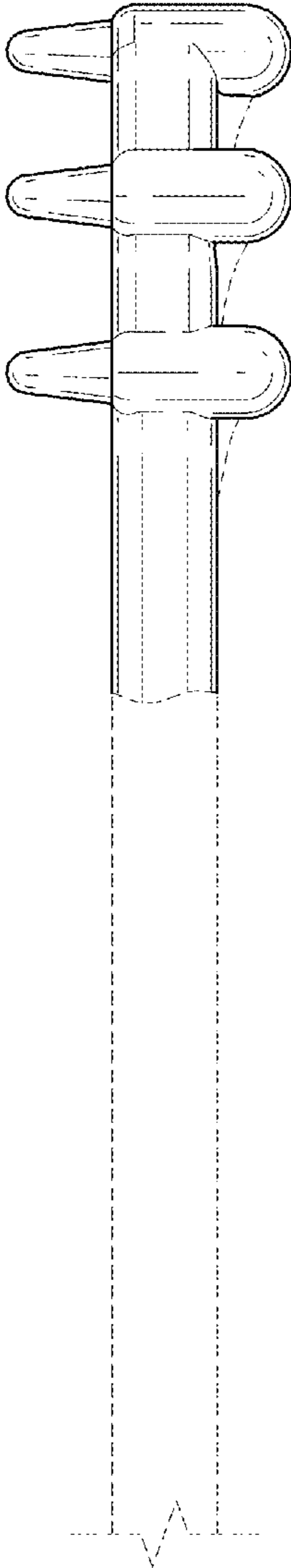


FIG. 4

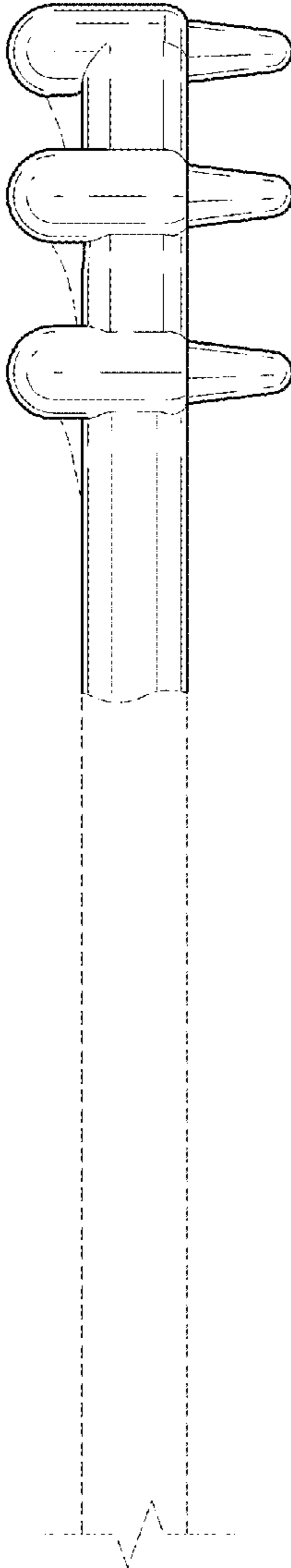


FIG. 5

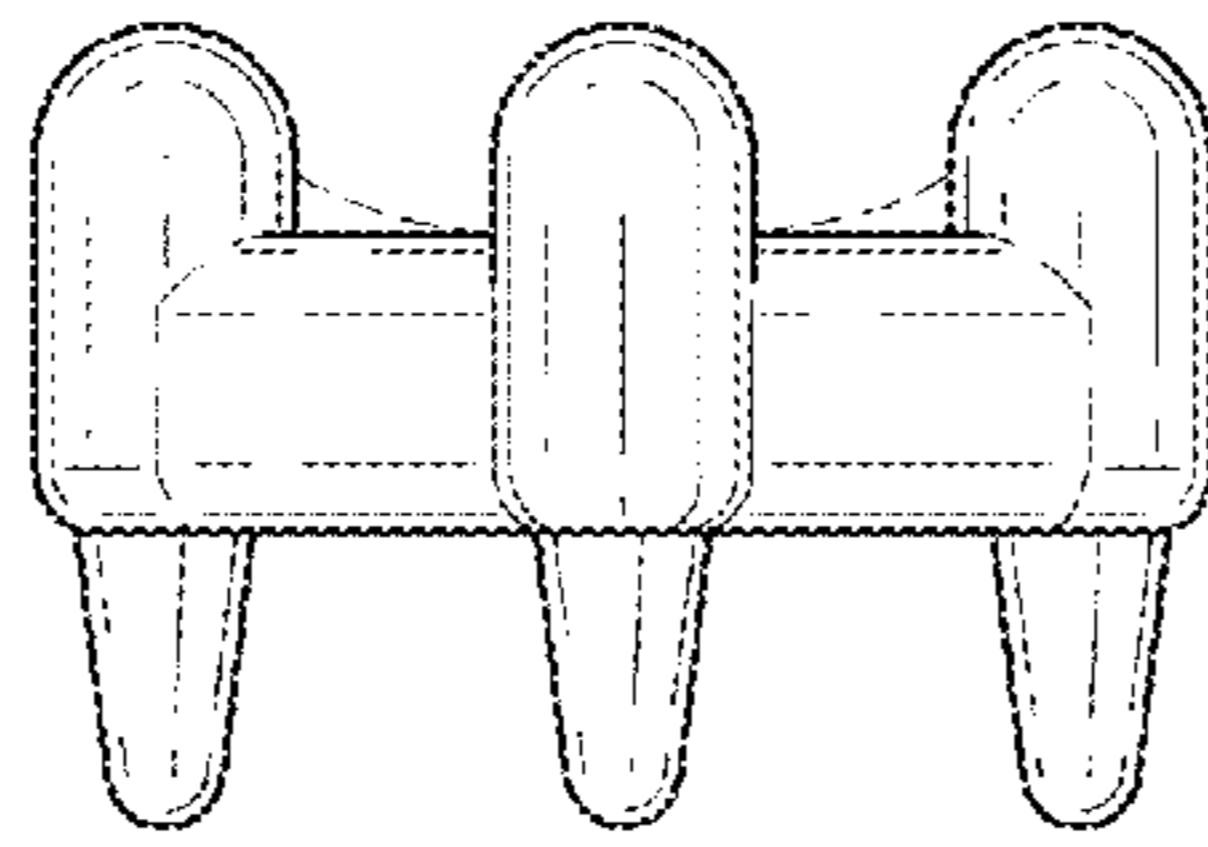


FIG. 6

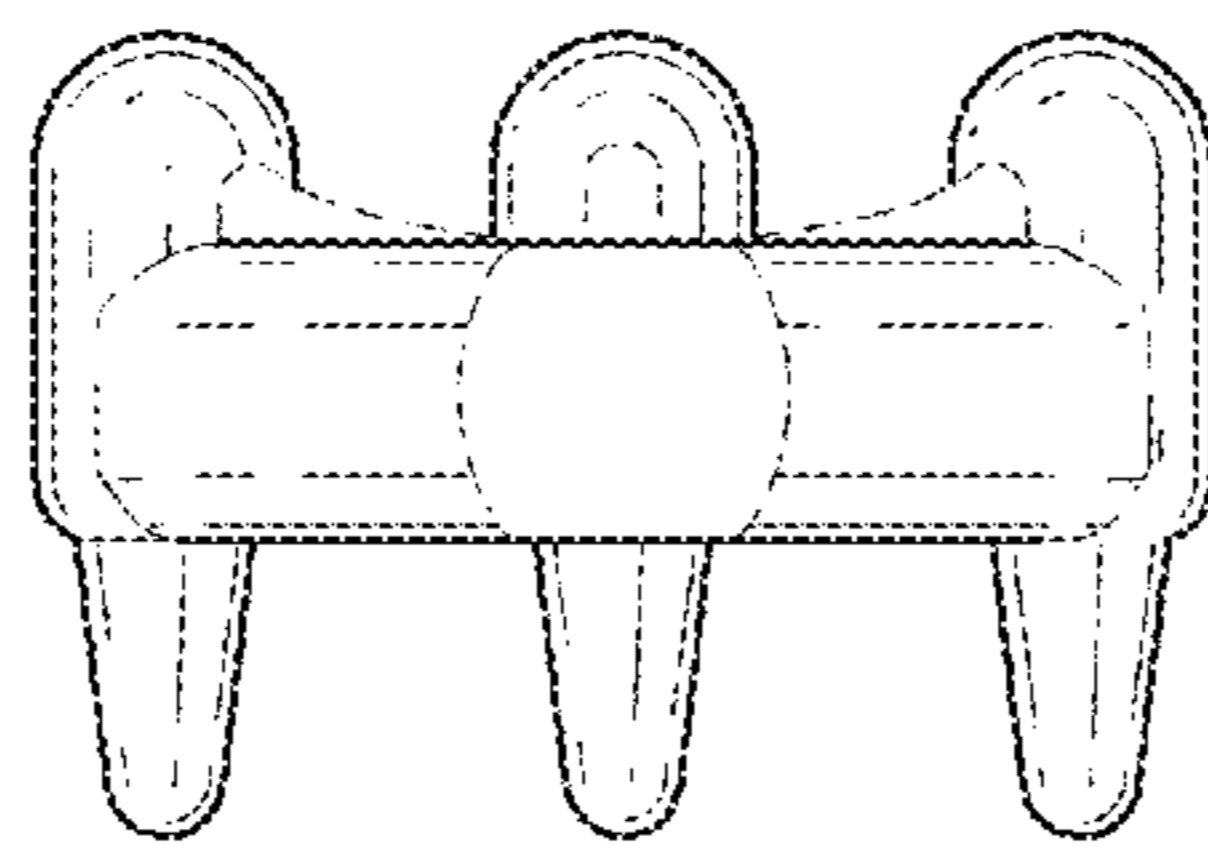


FIG. 7