

US00D672924S

(12) **United States Design Patent**
Amice et al.

(10) **Patent No.:** **US D672,924 S**
(45) **Date of Patent:** **** Dec. 18, 2012**

(54) **CONCAVE GROOMING TOOL BLADE**

(75) Inventors: **Olivier Amice**, Saint Louis, MO (US);
Aaron Witt, Chesterfield, MO (US)

(73) Assignee: **United Pet Group, Inc.**, Cincinnati, OH (US)

(**) Term: **14 Years**

(21) Appl. No.: **29/377,053**

(22) Filed: **Oct. 15, 2010**

(51) **LOC (9) Cl.** **30-99**

(52) **U.S. Cl.** **D30/158**

(58) **Field of Classification Search** D30/158-159, D30/199; 119/600, 601, 604-606, 611-619, 119/625, 628-633; D4/132-138, 100-102, D4/122, 127, 119, 114, 199; D8/106, 107, D8/13, 45, 14, DIG. 4, DIG. 7, DIG. 8; 401/28; 132/119-121, 152, 154, 147-150, 108-110, 132/112-115; D28/31, 63, 30, 25, 44, 44.1, D28/45-48; 15/50.1-50.3, 55, 57, 71, 77, 15/79.1, 104.002, 105-106, 143.1, 159.1, 15/160, 186-188, 169, 236.01, 236.02, 245, 15/117, 121, 245.1; 56/400.01, 400.17, 400.21; 81/177.7, 489, 177.1, 436-440; 16/426, 16/421, 422, 110.1, 430, DIG. 12, DIG. 19, 16/431; 30/353, 32, 34.05, 47, 49, 526, 527, 30/169, 171; D24/147, 133; D7/688, 393, D7/395, 401.2; 606/161; D32/40, 41, 49, D32/46, 51

See application file for complete search history.

(56) **References Cited**

U.S. PATENT DOCUMENTS

174,709 A 3/1876 Sweet
 402,727 A * 5/1889 Eisenhuth 30/201
 486,295 A 11/1892 Pflueger
 D22,537 S 6/1893 Kohler
 564,832 A * 7/1896 McCown 30/121.5

1,780,276 A * 11/1930 Scheiwer 30/223
 1,875,125 A 8/1932 Oster
 1,929,838 A * 10/1933 Crane 30/355
 3,331,129 A * 7/1967 Goudie 30/49
 D293,266 S * 12/1987 Stanich D32/49
 4,880,355 A * 11/1989 Vuillet et al. 416/228
 5,001,948 A * 3/1991 Weible et al. 81/436
 5,349,716 A * 9/1994 Millar 15/245
 5,437,074 A * 8/1995 White et al. 15/105
 5,680,668 A * 10/1997 Kim 15/236.02
 5,704,376 A 1/1998 Ogunro
 D392,841 S * 3/1998 Chastaine D7/412
 5,768,748 A 6/1998 Silvera et al.
 D408,587 S * 4/1999 De Visser D28/54
 6,092,255 A * 7/2000 Kim 15/121
 6,553,885 B2 * 4/2003 Cole et al. 83/856
 7,077,076 B2 * 7/2006 Porter et al. 119/625

(Continued)

OTHER PUBLICATIONS

Upco Pet Catalogue, Sep. 2005, p. 35 "Furminator grooming tool". (1 page).*

(Continued)

Primary Examiner — Susan Moon Lee

(74) *Attorney, Agent, or Firm* — Thompson Coburn LLP

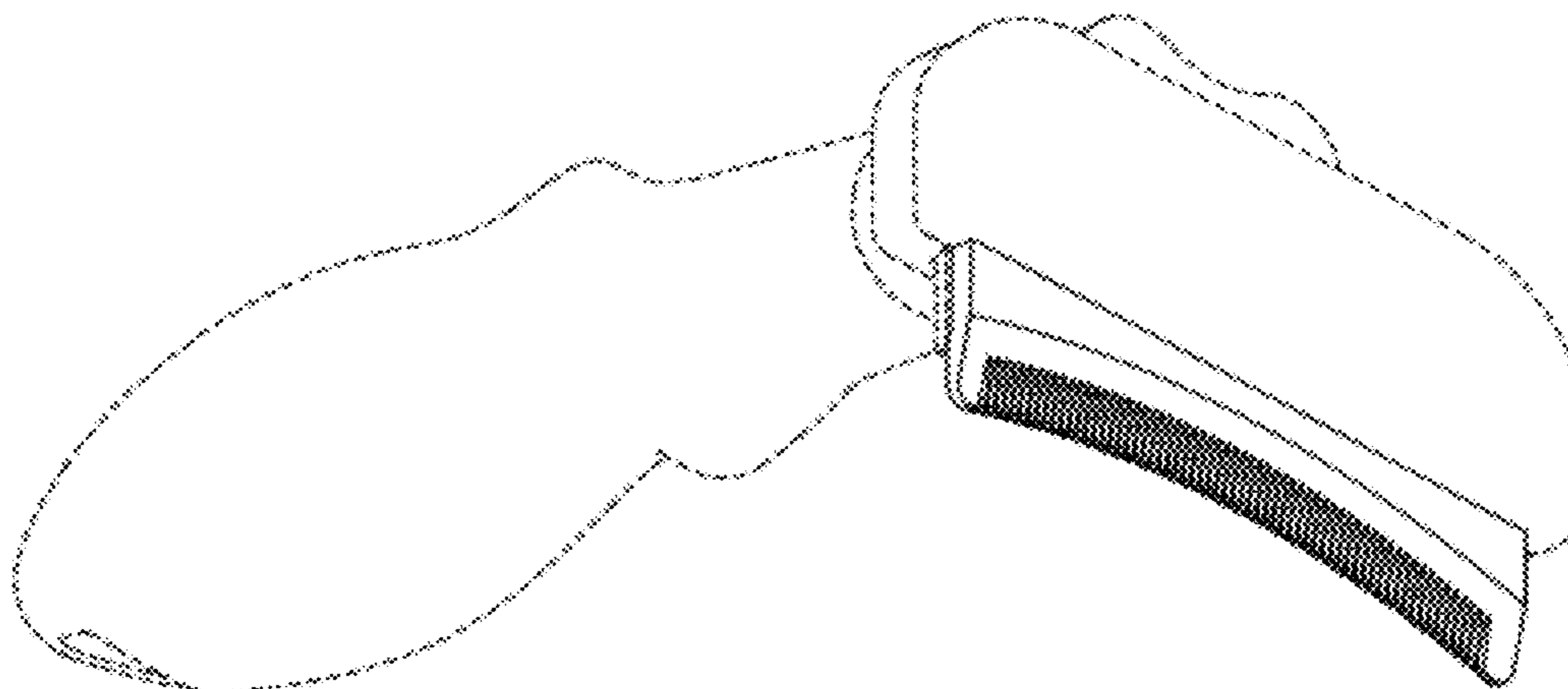
(57) **CLAIM**

We claim the ornamental design for a concave grooming tool blade, as shown and described.

DESCRIPTION

FIG. 1 is a bottom view of the concave grooming tool blade of the present invention;
 FIG. 2 is a front view thereof;
 FIG. 3 is a rear view thereof;
 FIG. 4 is a right side view of the concave grooming tool blade, the left side being a mirror image thereof; and,
 FIG. 5 is a perspective view thereof.
 The broken lines and portions contained within broken lines are not claimed.

1 Claim, 4 Drawing Sheets



US D672,924 S

Page 2

U.S. PATENT DOCUMENTS

D565,258 S 3/2008 Porter et al.
7,650,857 B2* 1/2010 Porter et al. 119/631
7,650,858 B2* 1/2010 Porter et al. 119/631
D610,755 S * 2/2010 Lin D30/159
7,717,067 B2* 5/2010 Porter et al. 119/601
D626,295 S * 10/2010 Porter D30/159
D626,296 S * 10/2010 Porter D30/159
D626,297 S * 10/2010 Porter D30/159
2006/0037556 A1* 2/2006 Porter et al. 119/627
2007/0084416 A1* 4/2007 Liao 119/625

2008/0017130 A1* 1/2008 Porter et al. 119/625
2008/0078333 A1* 4/2008 Wang 119/611
2009/0119932 A1* 5/2009 Lau 30/355
2009/0126648 A1 5/2009 Porter et al.
2010/0162965 A1* 7/2010 Porter et al. 119/601

OTHER PUBLICATIONS

Jeffers Pet Catalogue, Apr. 2007, p. 93 "Shedding Combs". (1 page).*

* cited by examiner

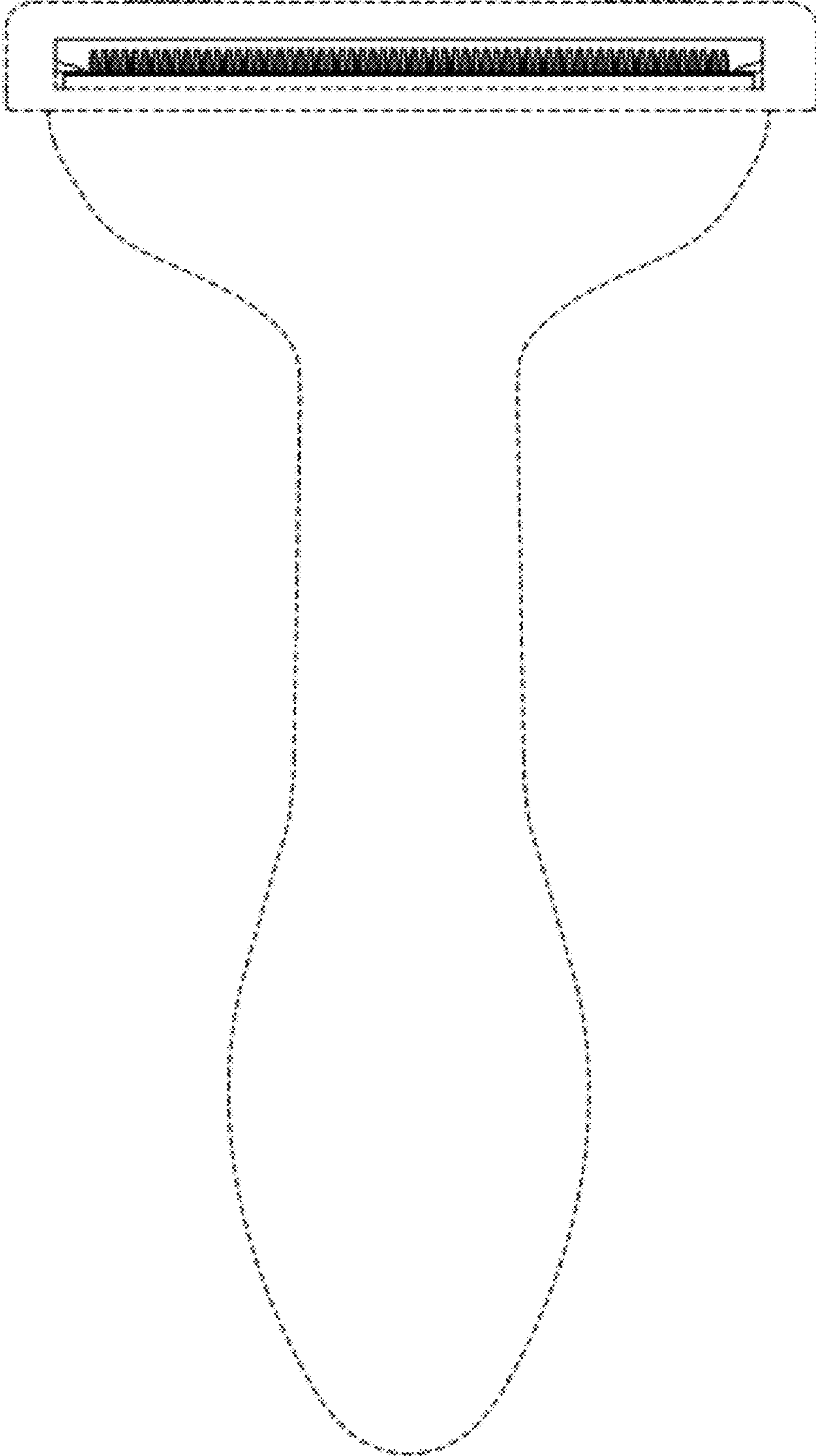


FIG. 1

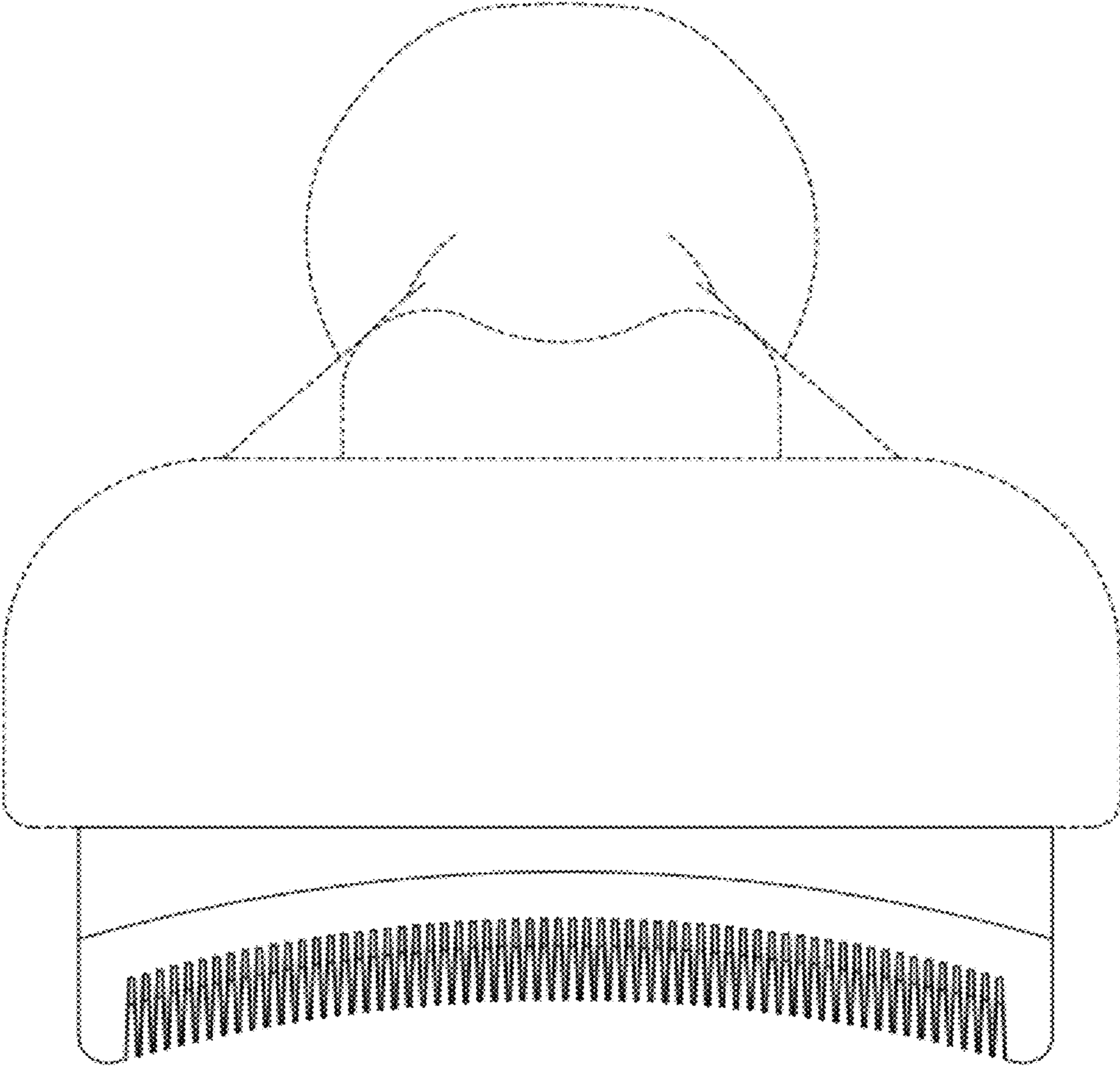


FIG. 2

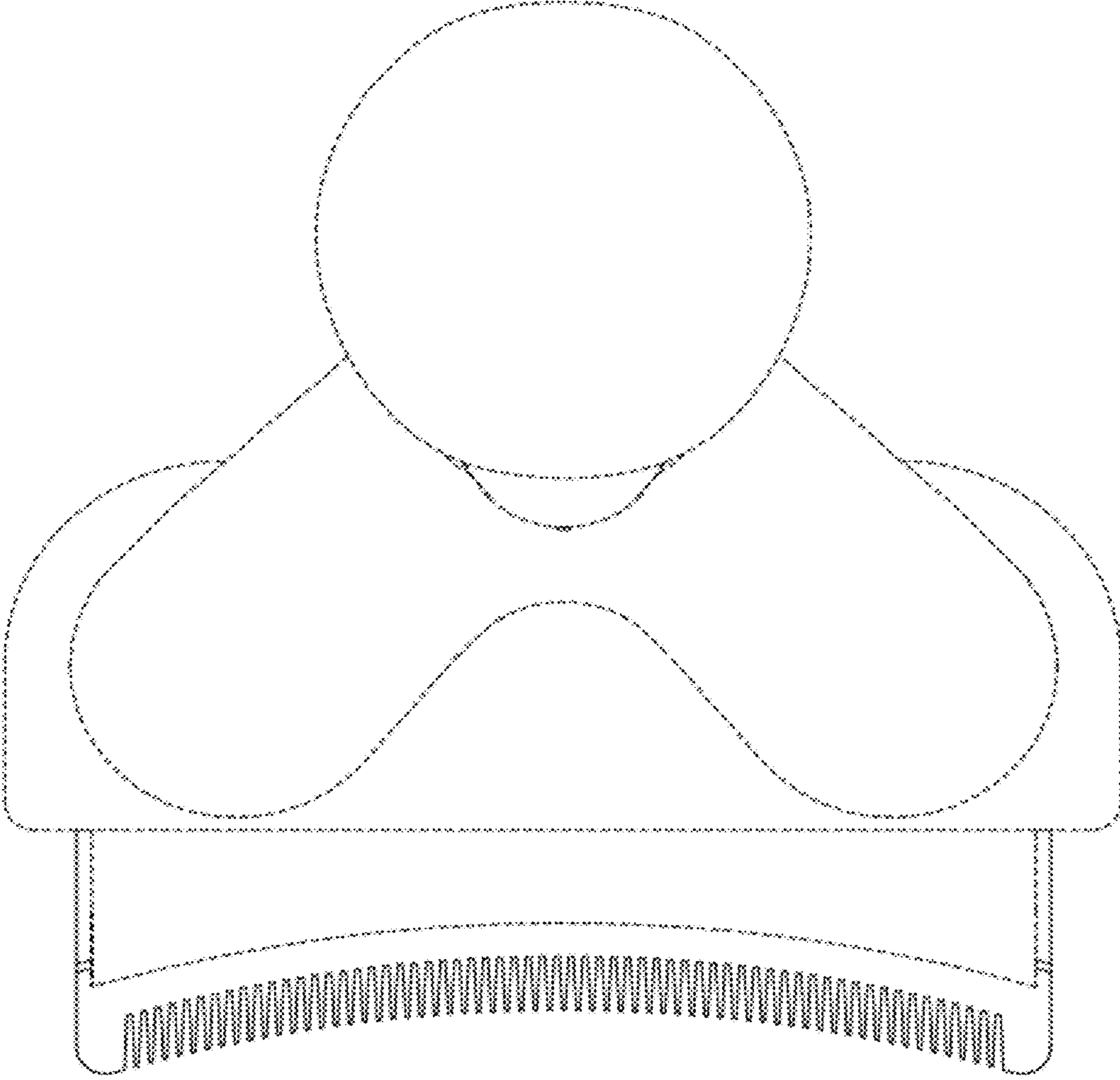


FIG. 3

