



US00D672922S

(12) **United States Design Patent**
Ritchey et al.

(10) **Patent No.:** **US D672,922 S**
(45) **Date of Patent:** **** Dec. 18, 2012**

(54) **LIVESTOCK TAG**
(75) Inventors: **Eugene B. Ritchey**, Brighton, CO (US);
Grant A. Ritchey, Hudson, CO (US);
Craig E. Ritchey, Brighton, CO (US)
(73) Assignee: **Ritchey Manufacturing, Inc.**, Brighton,
CO (US)
(**) Term: **14 Years**
(21) Appl. No.: **29/415,818**
(22) Filed: **Mar. 14, 2012**
(51) **LOC (9) Cl.** **30-08**
(52) **U.S. Cl.** **D30/155**
(58) **Field of Classification Search** D30/155,
D30/199; D19/10; D20/43, 22; 40/300,
40/301, 1.5, 668, 304, 302, 622; 119/655,
119/814; 411/531; 606/117, 116, 151, 213,
606/215, 220, 153, 185; D8/394, 373; D11/81,
D11/116, 61, 86, 44, 46, 226, 17, 221, 229,
D11/223, 220, 222, 99, 95, 88; 24/114.4,
24/114.11, 114.12, 113 R, 113 MP, 47, 711.1,
24/620, 704.1, 102 R; 2/265; 340/572.1,
340/573.3, 572.8; D21/389, 390, 385, 370;
D24/101-103; D1/114, 127; 426/104; 273/282.1,
273/260, 290; D3/211; D34/31, 35; D13/183,
D13/171, 174; D14/456; 248/309.4; 428/900;
D9/772, 741; D32/61, 35; D15/144; 63/12,
63/13, 29.1; 343/788; 29/512, 522.1; 424/422;
604/891.1; 285/915; 264/255, 272.11; 335/285,
335/296, 303
See application file for complete search history.

(56) **References Cited**
U.S. PATENT DOCUMENTS
3,552,051 A * 1/1971 Ritchey 40/301
D227,271 S * 6/1973 Nichols D30/155

D229,571 S * 12/1973 Fearing D30/155
3,934,368 A * 1/1976 Fearing 40/301
3,955,580 A * 5/1976 Thompson 606/117
3,959,908 A * 6/1976 Lowe 40/301
4,000,744 A * 1/1977 Ritchey 606/117
D243,621 S * 3/1977 Sulik D30/155
D243,622 S * 3/1977 Burke et al. D30/155
D243,623 S * 3/1977 Priest D30/155
D243,704 S * 3/1977 Cavazos D30/155
D248,674 S * 7/1978 Hannon D28/9
4,102,073 A * 7/1978 Hayes 40/301
4,184,453 A * 1/1980 Ritchey 119/655
4,366,777 A * 1/1983 Akhavein et al. 119/655
4,495,898 A * 1/1985 Akhavein et al. 119/655
4,633,606 A * 1/1987 Cohr 40/301
4,718,374 A * 1/1988 Hayes 119/655
D296,943 S * 7/1988 Gardner D30/155
D297,057 S * 8/1988 Gardner D30/155

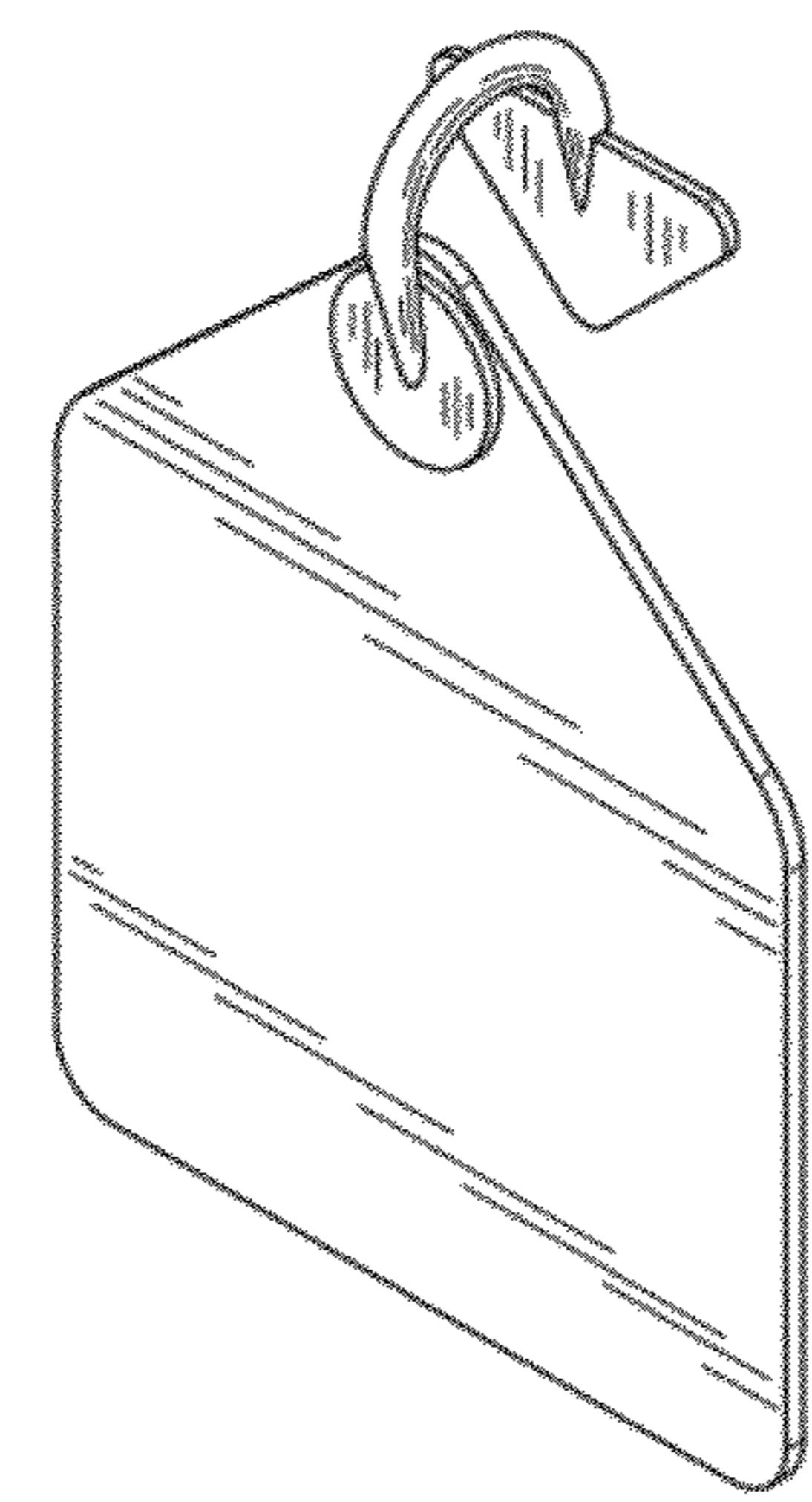
(Continued)

Primary Examiner — Susan Moon Lee
(74) *Attorney, Agent, or Firm* — Sheridan Ross P.C.

(57) **CLAIM**
I claim the ornamental design for a livestock tag, as shown
and described.

DESCRIPTION
FIG. 1 is a top perspective view of a livestock tag;
FIG. 2 is a bottom perspective view of the livestock tag of
FIG. 1;
FIG. 3 is a top view of the livestock tag of FIG. 1;
FIG. 4 is a front elevation view of the livestock tag of FIG. 1;
FIG. 5 is right side view of the livestock tag of FIG. 1;
FIG. 6 is left side view of the livestock tag of FIG. 1;
FIG. 7 is a rear elevation view of the livestock tag of FIG. 1;
and,
FIG. 8 is a bottom view of the livestock tag of FIG. 1.

1 Claim, 3 Drawing Sheets



US D672,922 S

Page 2

U.S. PATENT DOCUMENTS

D297,058	S	*	8/1988	Gardner	D30/155	6,138,392	A	*	10/2000	Haar et al.	40/301
D325,268	S	*	4/1992	Wittick et al.	D30/155	6,145,225	A	*	11/2000	Ritchey	40/301
5,655,320	A	*	8/1997	Kazenski	40/302	6,666,170	B1	*	12/2003	Hilpert	119/814
5,675,920	A	*	10/1997	Long	40/301	7,441,354	B2	*	10/2008	Ritchey	40/300
6,055,752	A	*	5/2000	Ritchey	40/301	2006/0260156	A1	*	11/2006	Ritchey	40/300

* cited by examiner

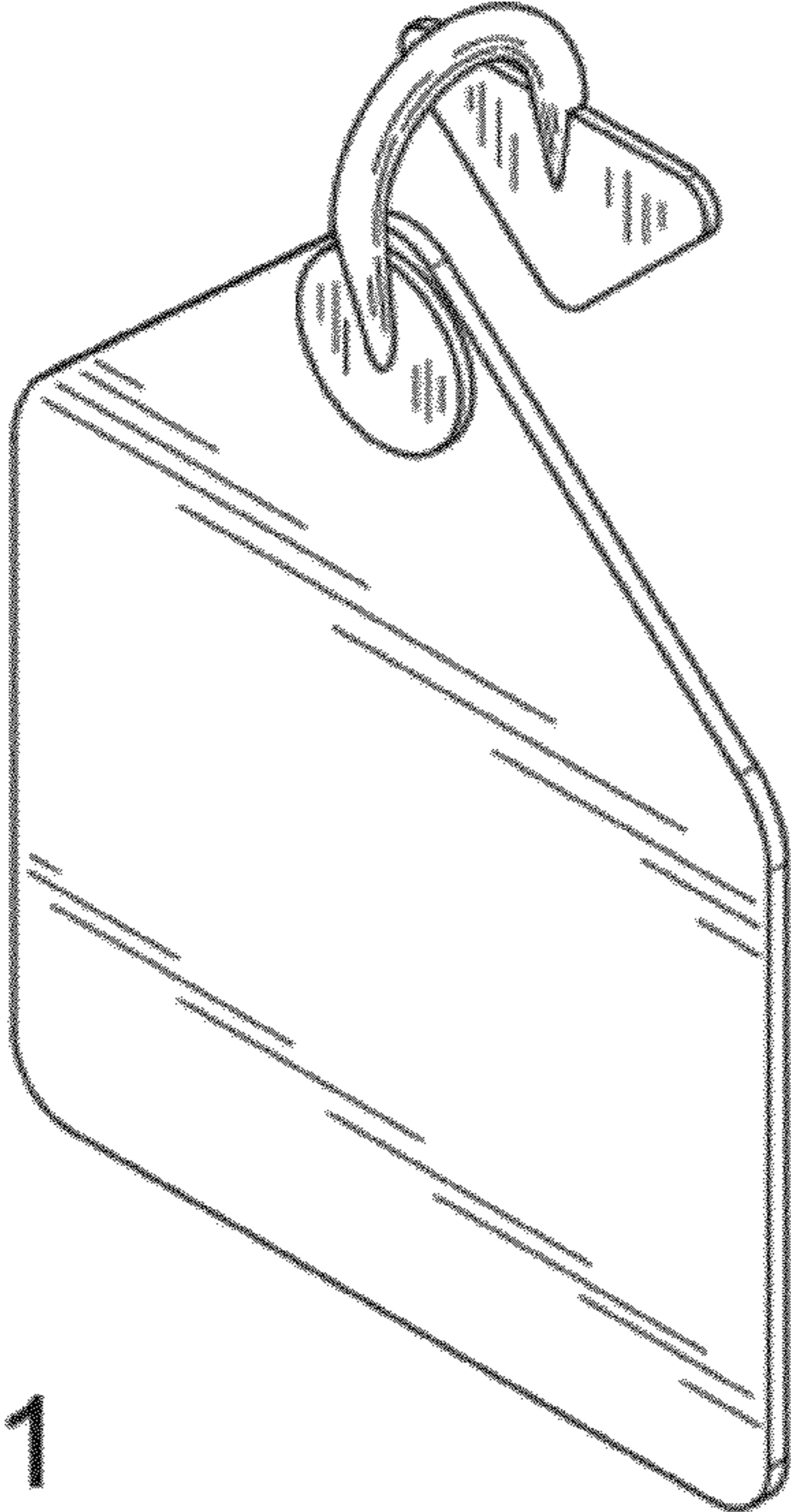


FIG.1

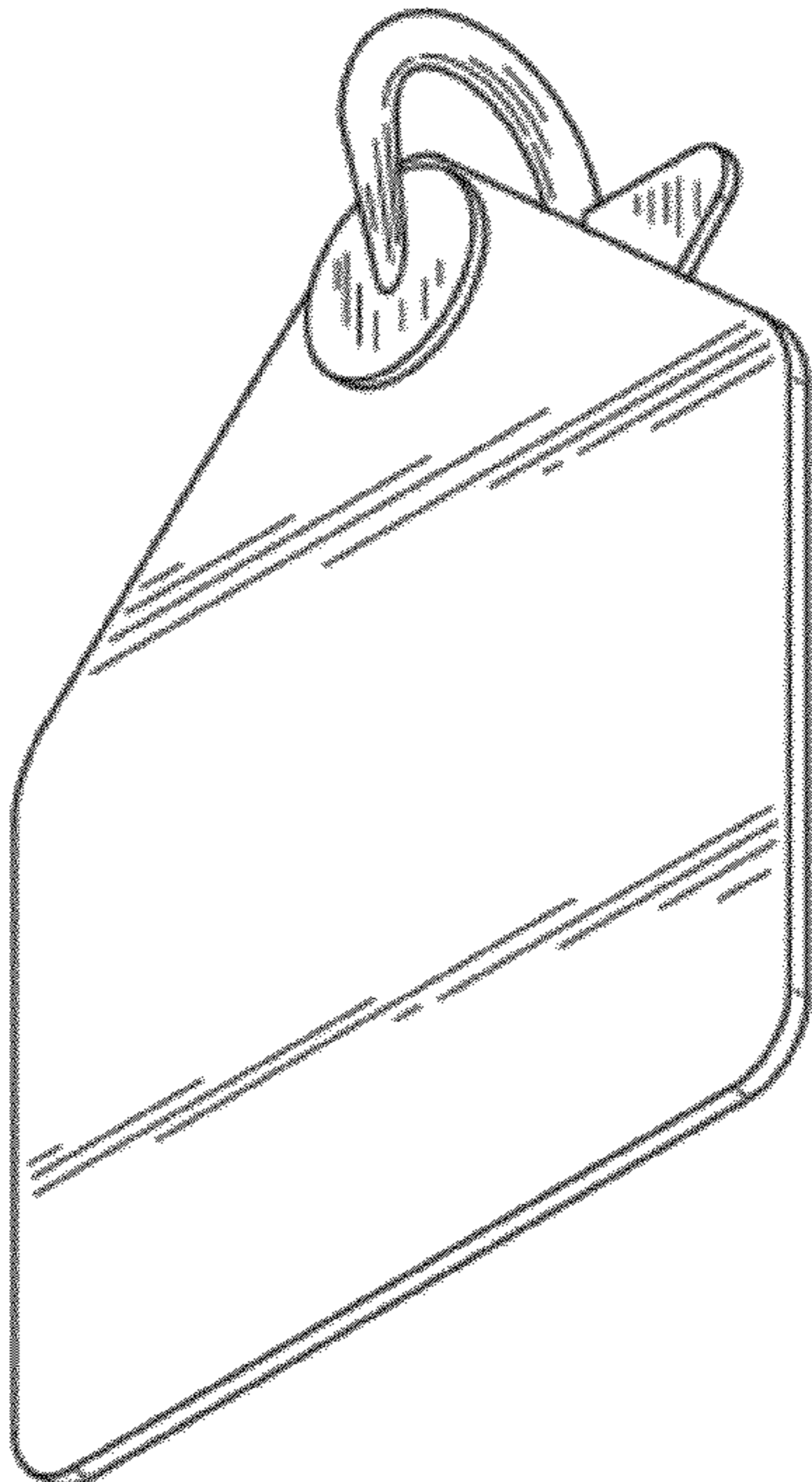


FIG.2

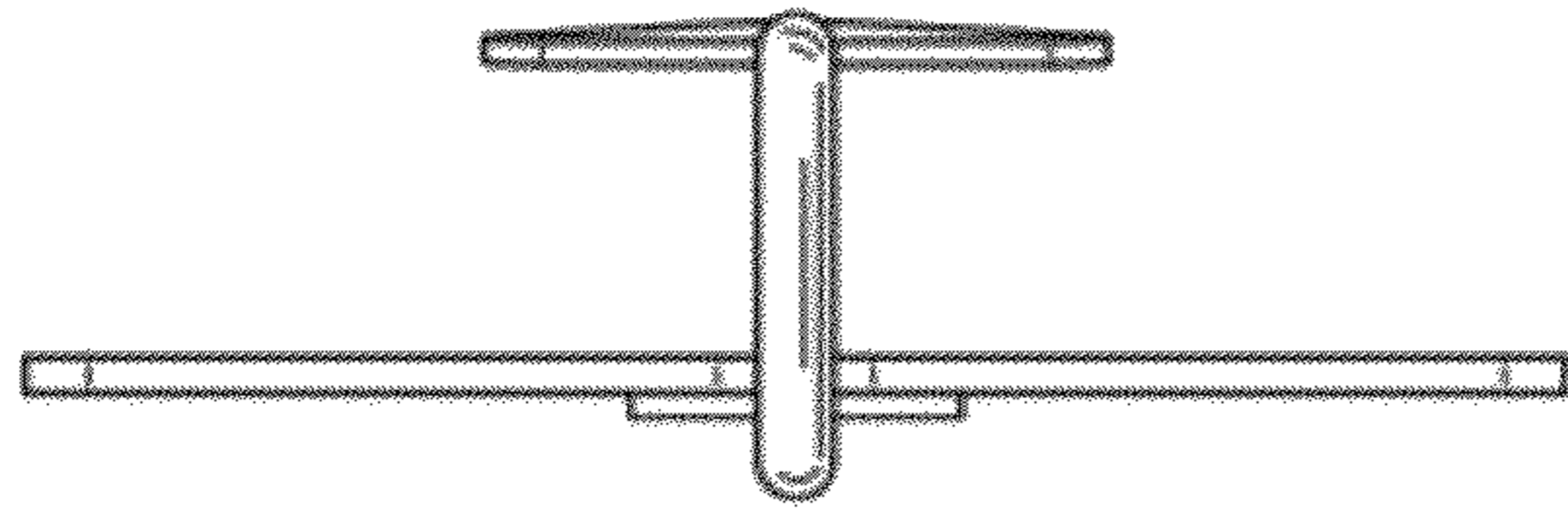


FIG.3

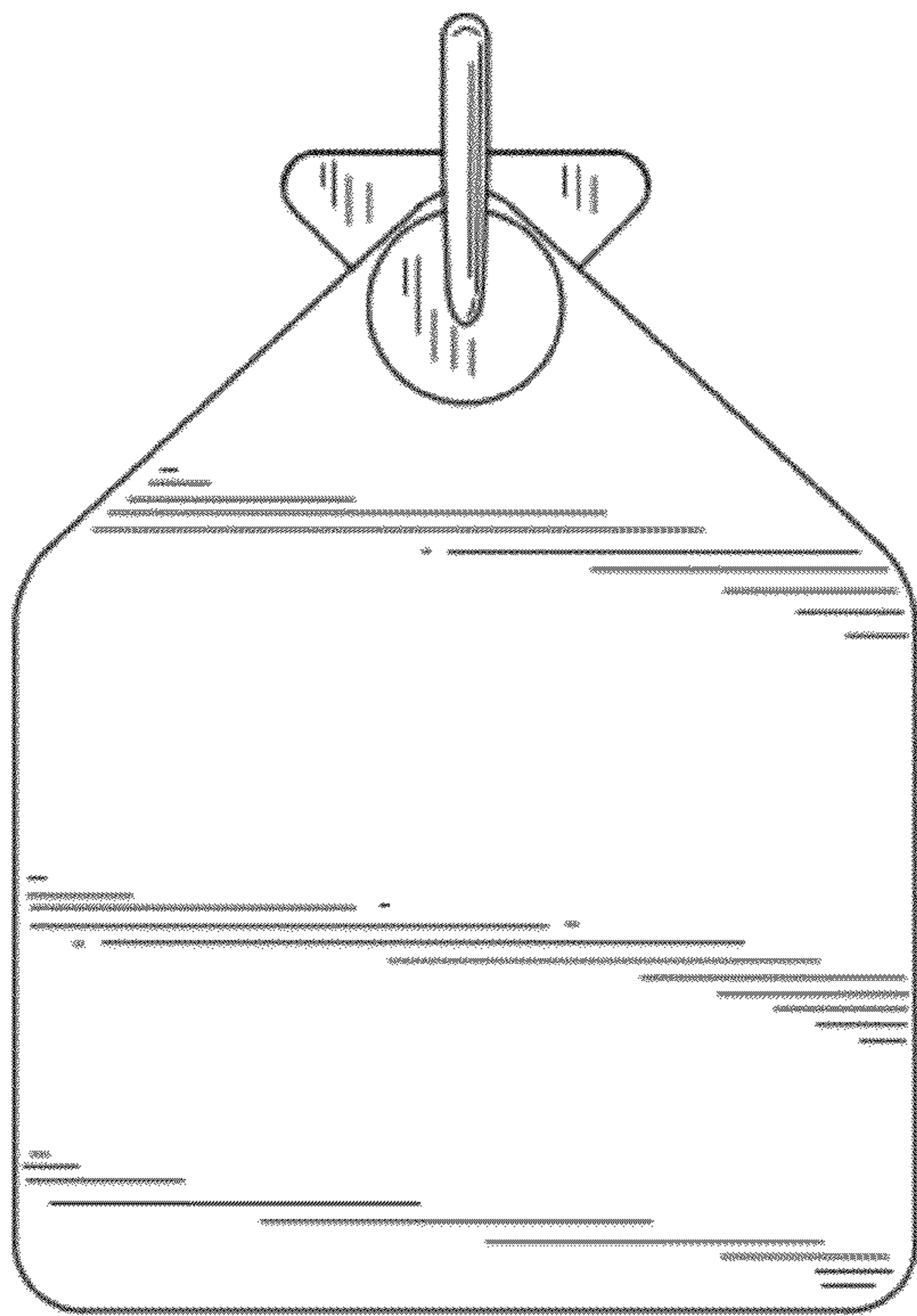


FIG.4

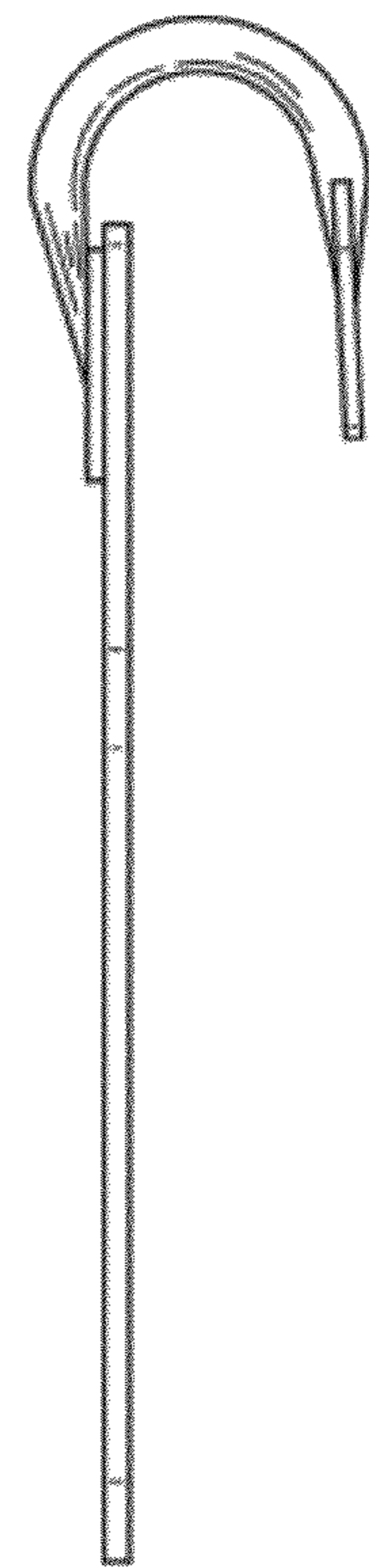


FIG.5

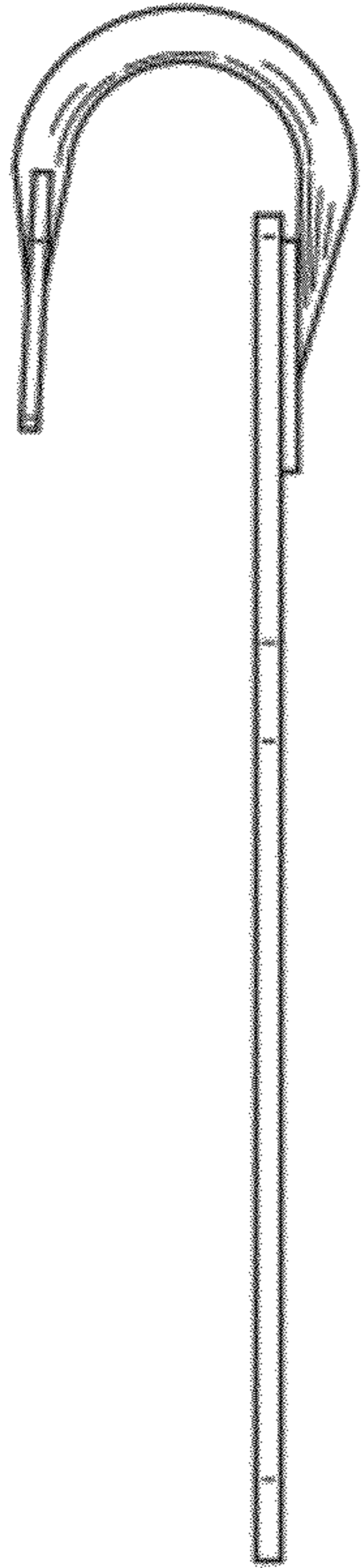


FIG. 6

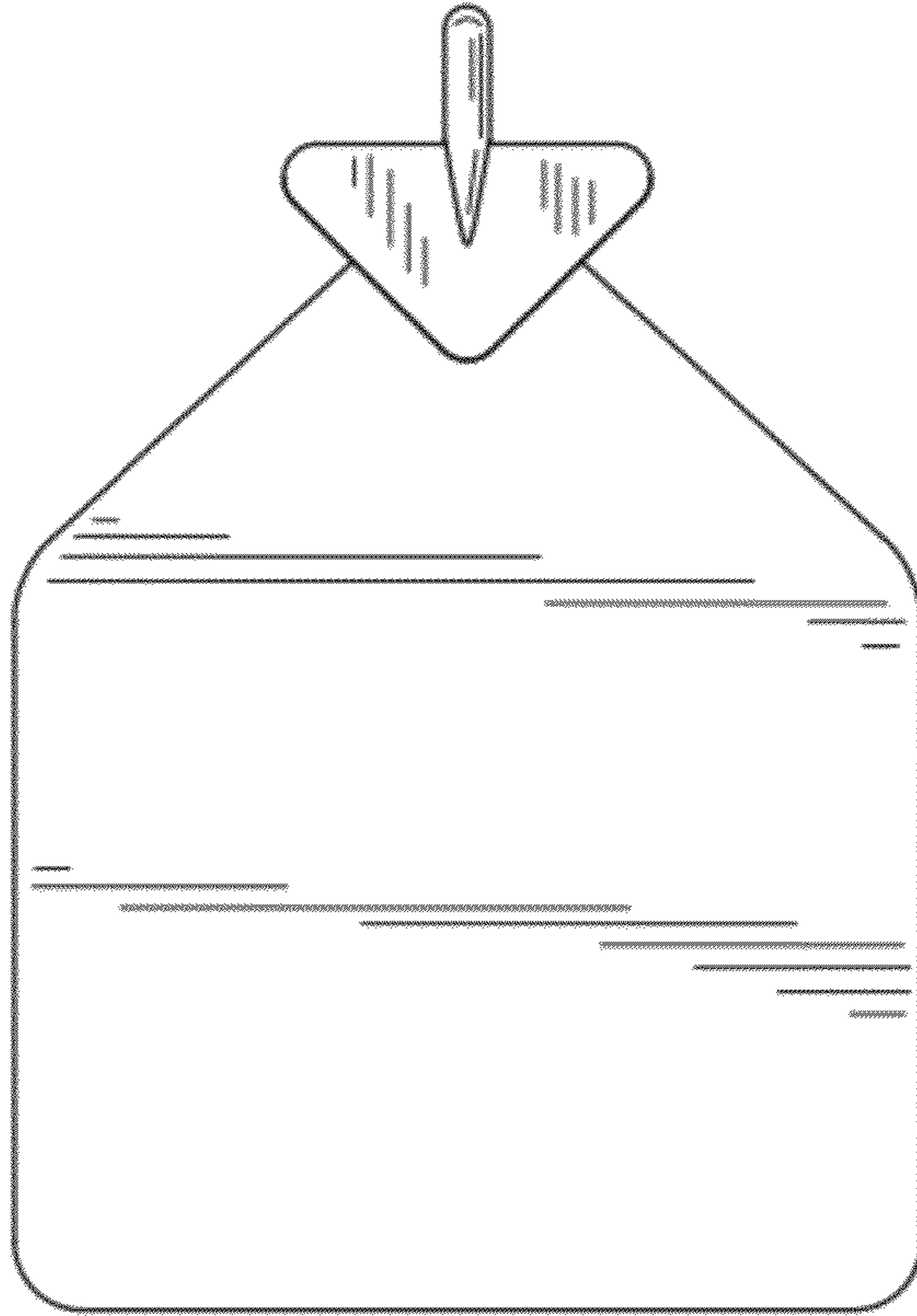


FIG. 7

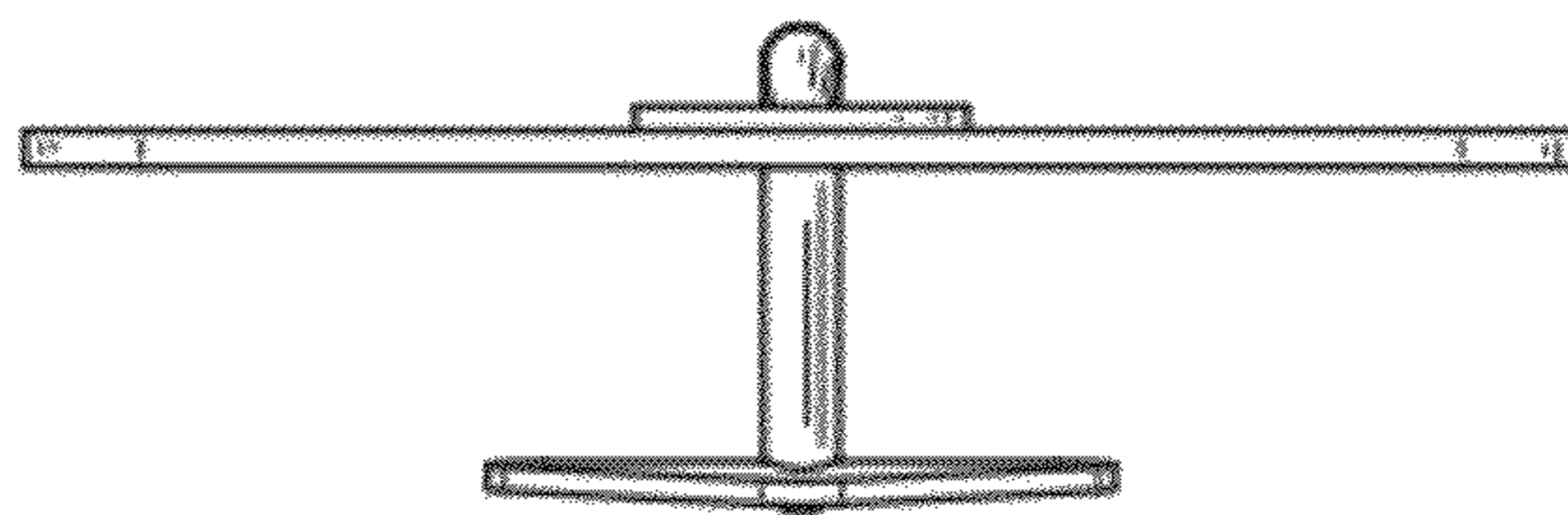


FIG. 8