



US00D672918S

(12) **United States Design Patent**  
**Green**

(10) **Patent No.:** **US D672,918 S**

(45) **Date of Patent:** **\*\* Dec. 18, 2012**

(54) **HAIR SHAMPOOING DEVICE**

(76) Inventor: **Douglas L. Green**, Denver, CO (US)

(\*\*) Term: **14 Years**

(21) Appl. No.: **29/420,884**

(22) Filed: **May 14, 2012**

(51) **LOC (9) Cl.** ..... **28-03**

(52) **U.S. Cl.** ..... **D28/20**

(58) **Field of Classification Search** ..... D28/7,  
D28/9-10, 20, 63; 601/137-138; D24/214;  
401/28; 15/244.1-244.4

See application file for complete search history.

(56) **References Cited**

**U.S. PATENT DOCUMENTS**

|           |     |         |                   |        |
|-----------|-----|---------|-------------------|--------|
| 1,586,031 | A   | 5/1926  | Duncan            |        |
| 2,090,050 | A   | 8/1937  | Jackson           |        |
| 2,379,330 | A   | 6/1945  | Wilensky          |        |
| 2,516,491 | A   | 7/1950  | Swastek           |        |
| 2,930,060 | A   | 3/1960  | Pearce            |        |
| 2,944,273 | A   | 7/1960  | Harris            |        |
| 3,146,484 | A   | 9/1964  | Lussier et al.    |        |
| D217,519  | S   | 5/1970  | Madl et al.       |        |
| D249,893  | S   | 10/1978 | Armbruster et al. |        |
| 4,343,265 | A   | 8/1982  | Belschner         |        |
| D301,767  | S * | 6/1989  | DeYarman          | D28/63 |
| D341,426  | S   | 11/1993 | Hubbard           |        |
| D456,942  | S * | 5/2002  | Au et al.         | D28/7  |
| D514,328  | S   | 2/2006  | Huang             |        |

|              |     |        |                 |        |
|--------------|-----|--------|-----------------|--------|
| D523,962     | S   | 6/2006 | Huang           |        |
| D632,487     | S * | 2/2011 | Watanabe et al. | D4/136 |
| 2003/0149382 | A1  | 8/2003 | Waller          |        |
| 2008/0234611 | A1  | 9/2008 | Sakai et al.    |        |
| 2011/0185521 | A1  | 8/2011 | Temple          |        |

**FOREIGN PATENT DOCUMENTS**

|    |         |        |
|----|---------|--------|
| FR | 2626769 | 8/1989 |
| JP | 4215753 | 8/1992 |

\* cited by examiner

*Primary Examiner* — Jennifer Rivard

(74) *Attorney, Agent, or Firm* — Dorr, Carson & Birney, P.C.

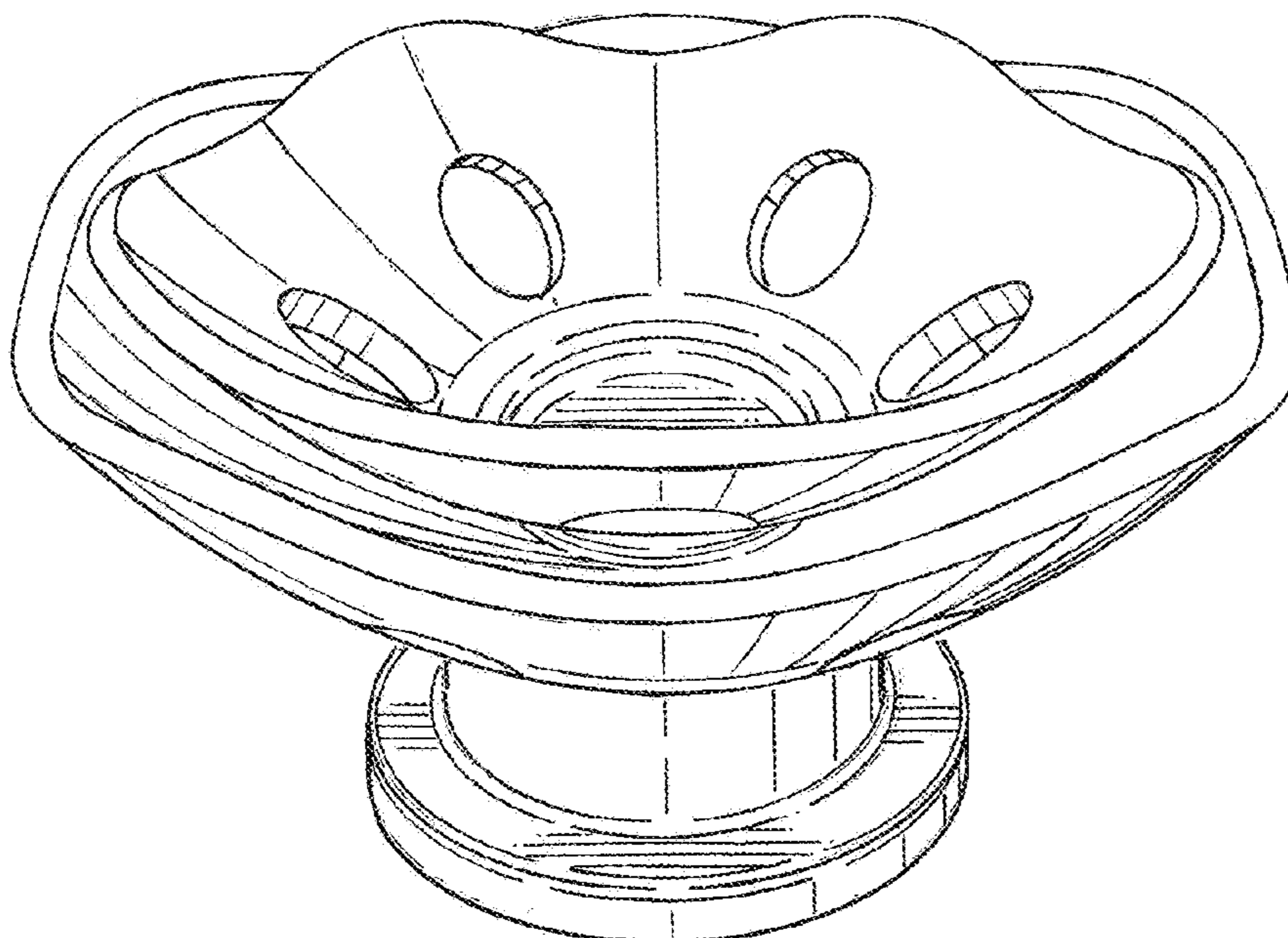
(57) **CLAIM**

The ornamental design for a hair shampooing device, as shown and described.

**DESCRIPTION**

FIG. 1 is a top perspective view of a hair shampooing device showing my new design.  
 FIG. 2 is a bottom perspective view thereof.  
 FIG. 3 is a top plan view thereof.  
 FIG. 4 is a bottom plan view thereof.  
 FIG. 5 is a right side elevational view thereof.  
 FIG. 6 is a left side elevational view thereof.  
 FIG. 7 is a rear elevational view thereof; and,  
 FIG. 8 is a front elevational view thereof.

**1 Claim, 4 Drawing Sheets**



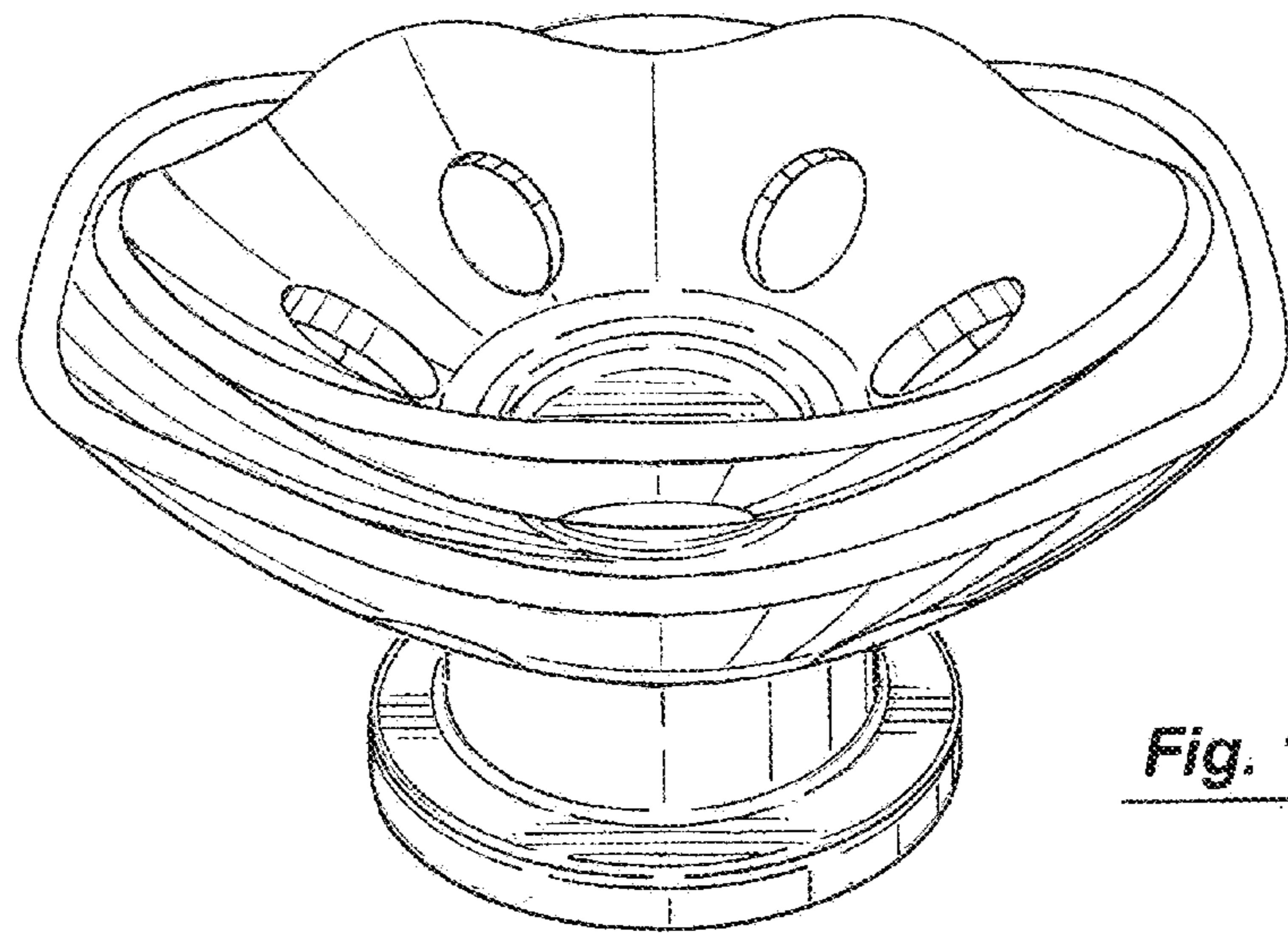


Fig. 1

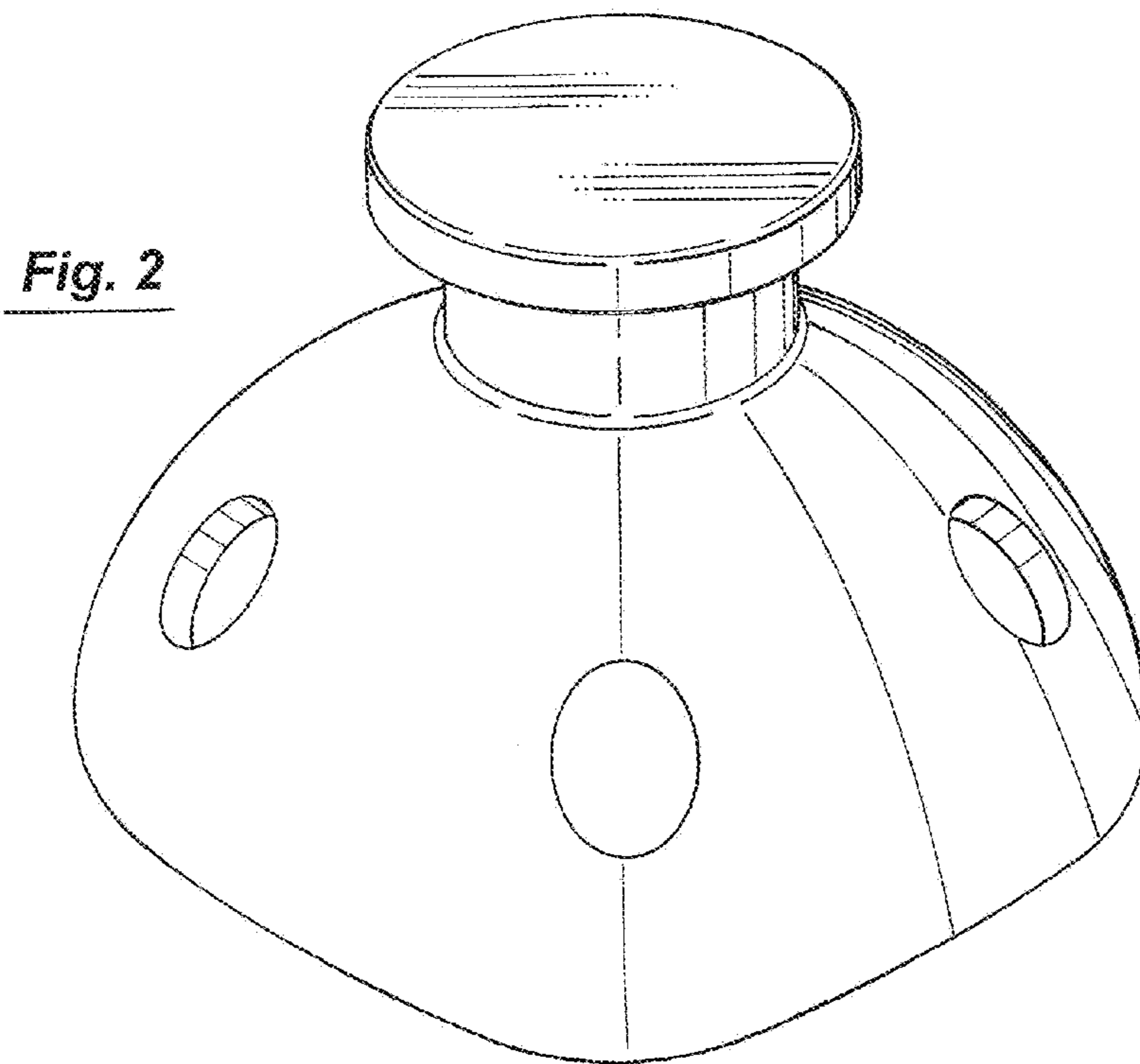


Fig. 2

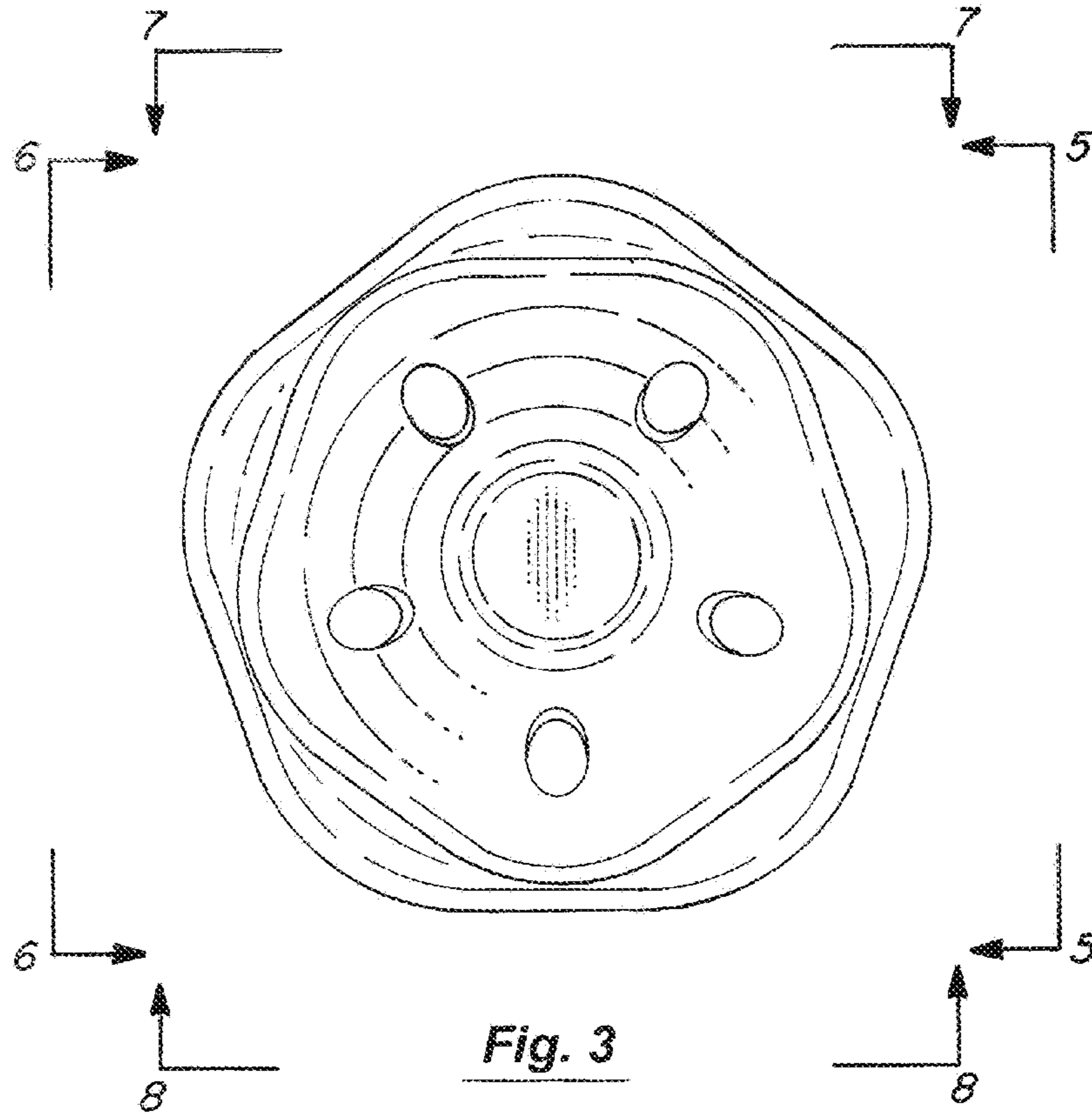


Fig. 3

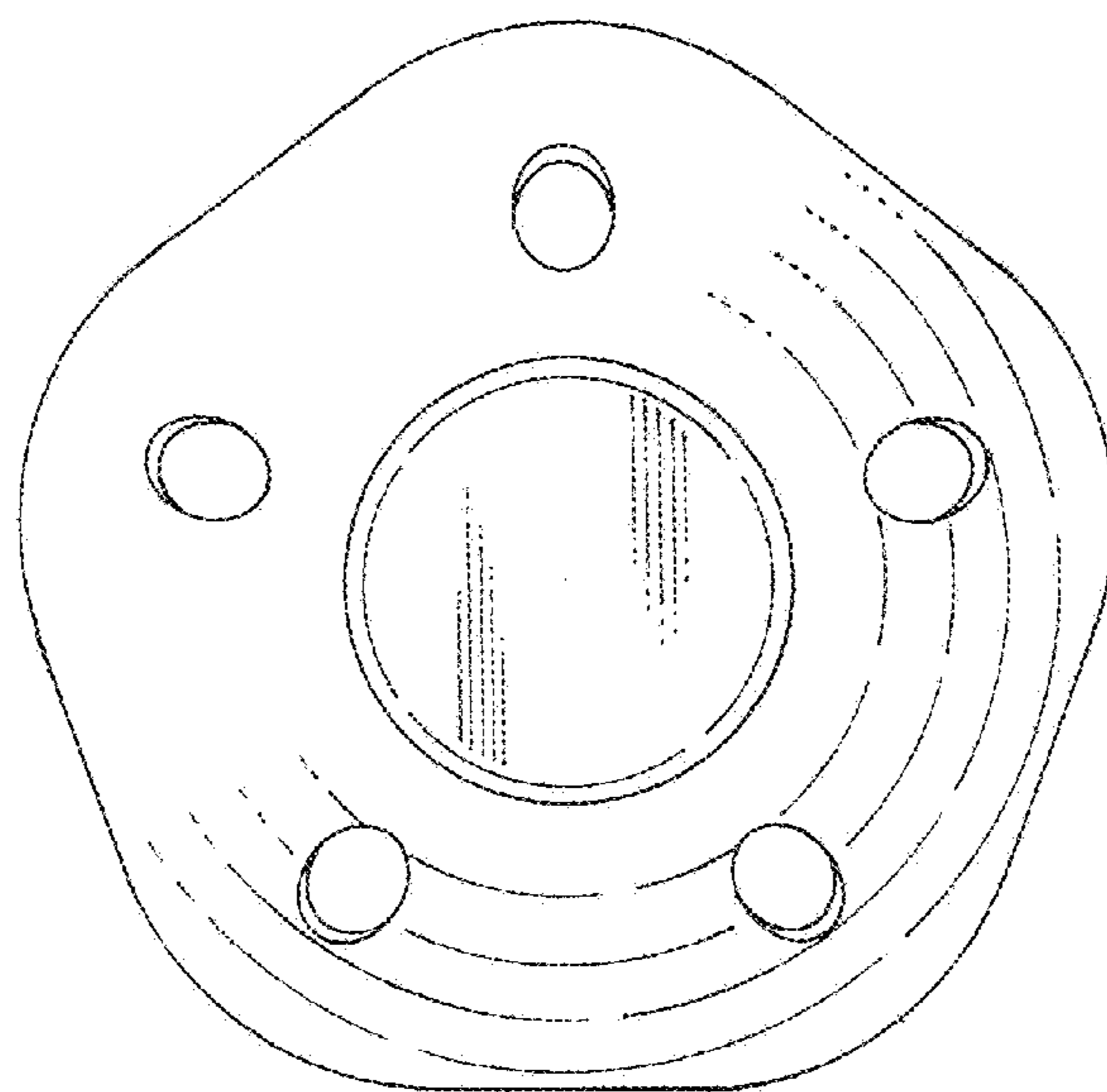


Fig. 4

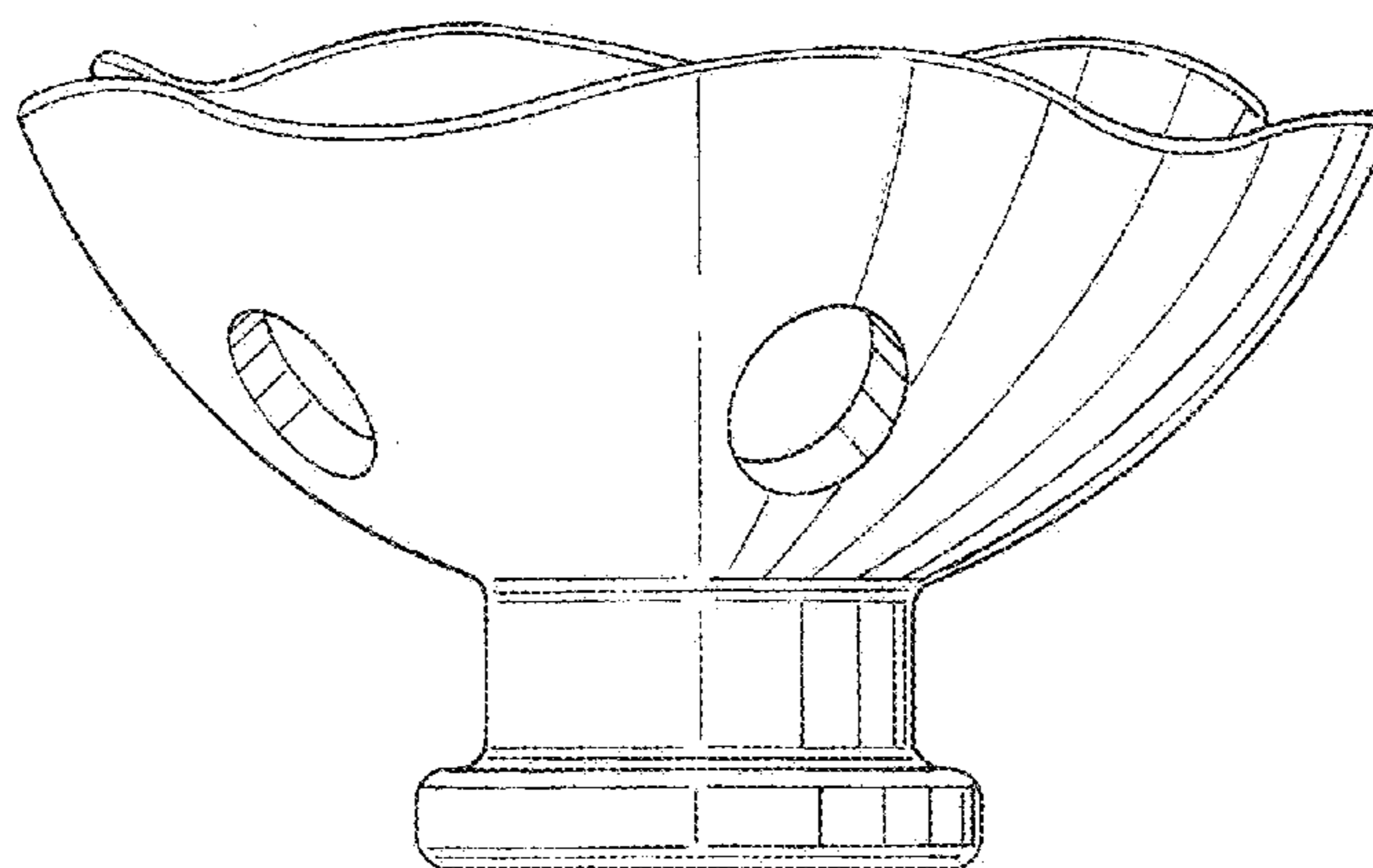


Fig. 5

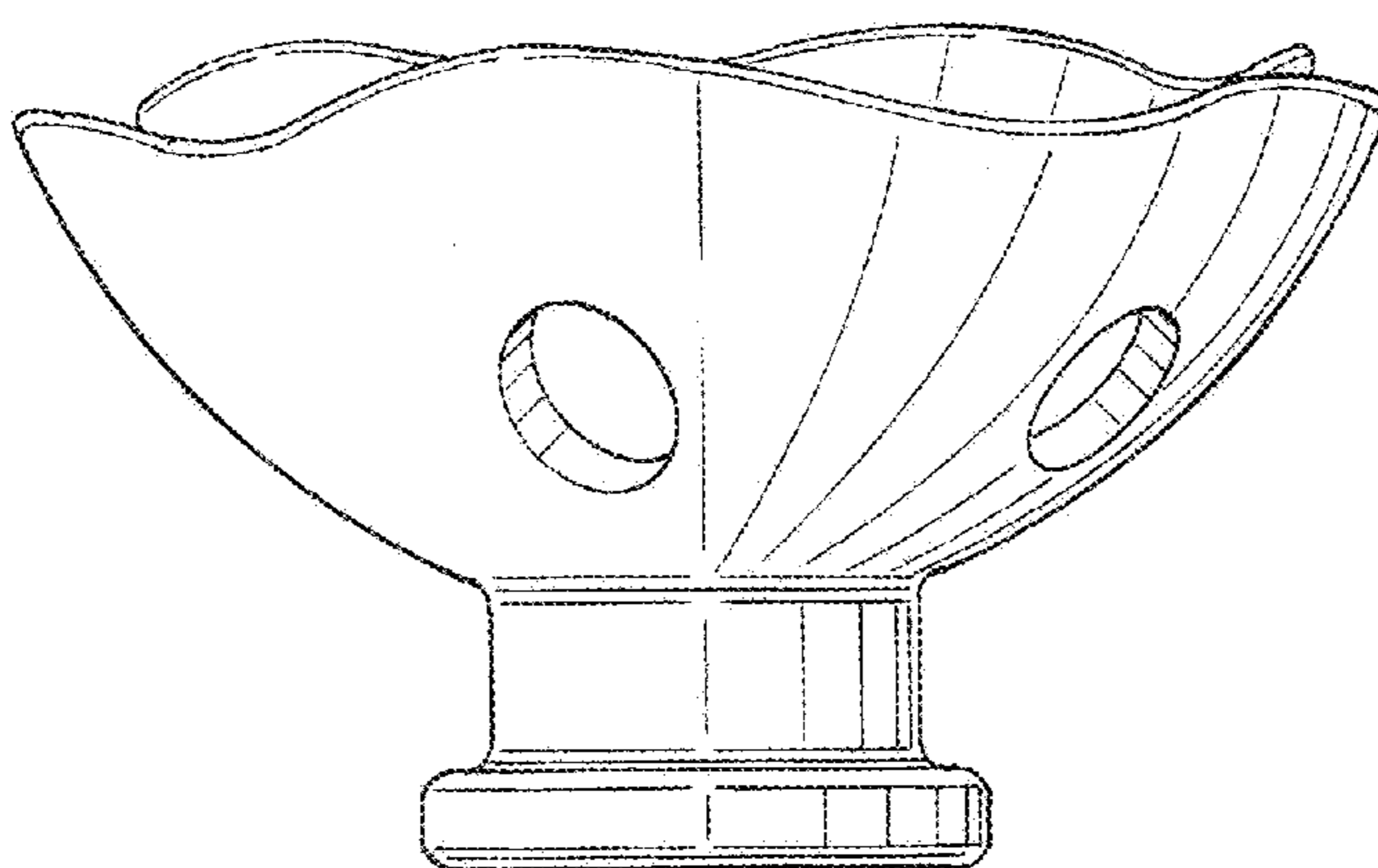


Fig. 6

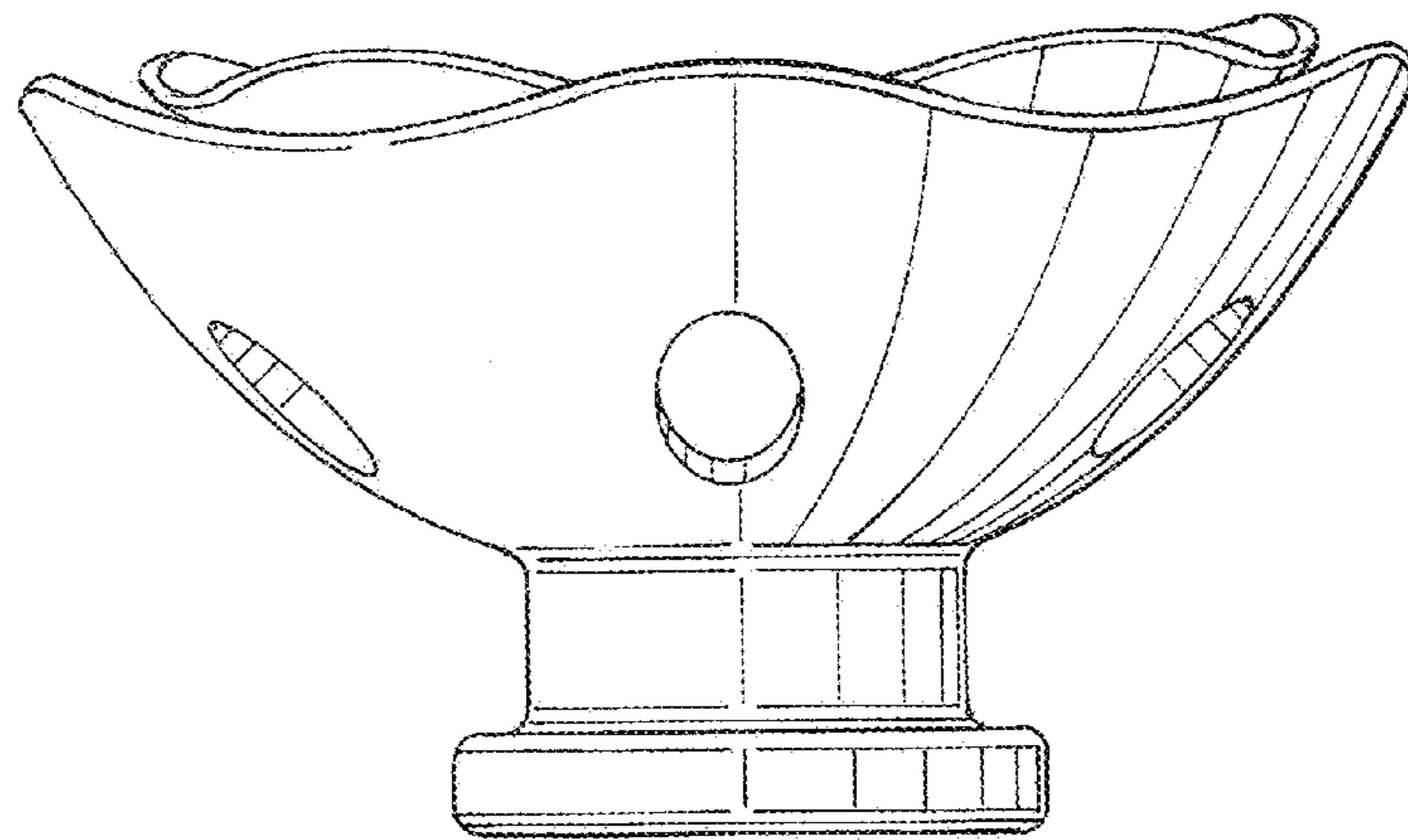


Fig. 7

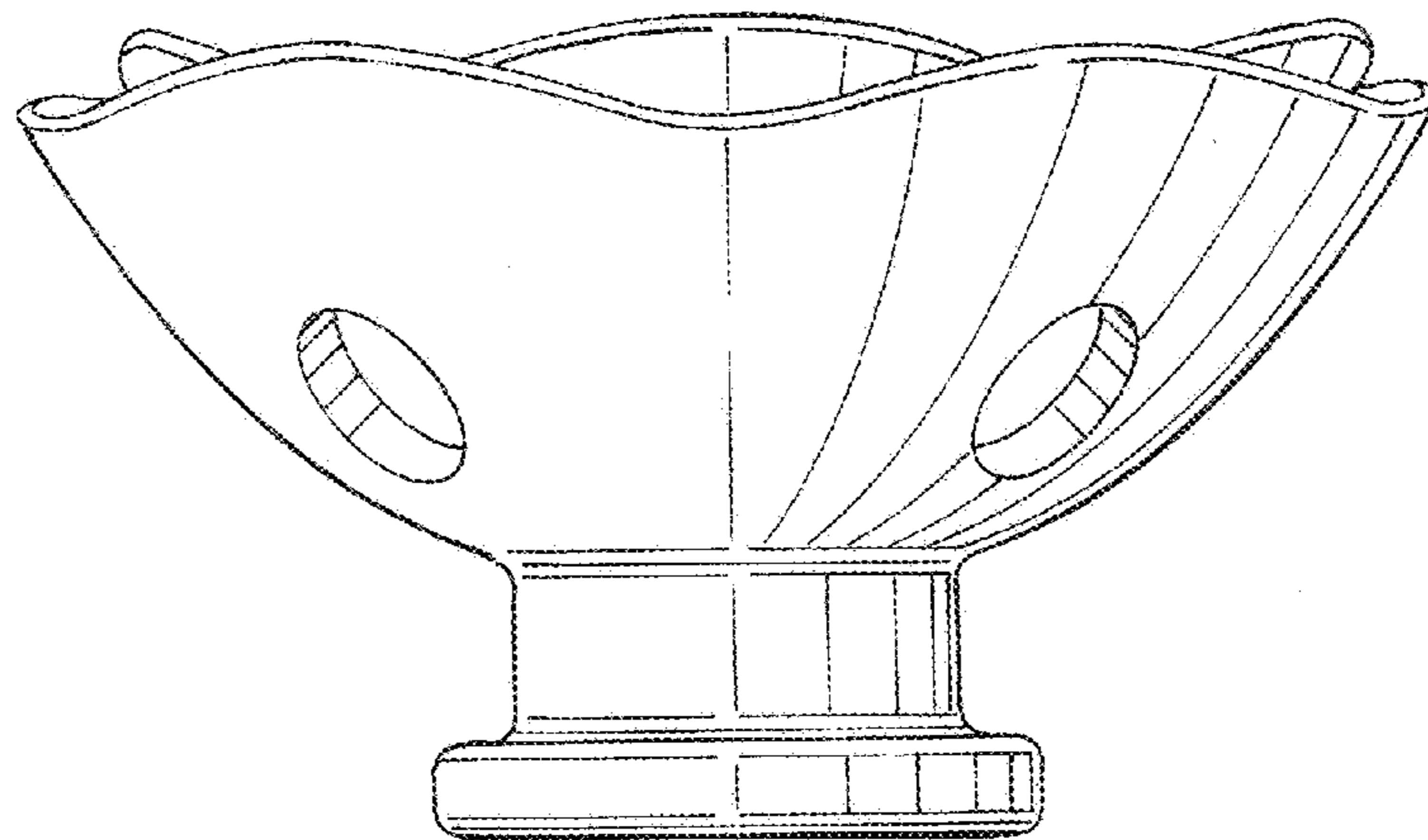


Fig. 8