



US00D672913S

(12) **United States Design Patent**
Lin et al.

(10) **Patent No.:** **US D672,913 S**
(45) **Date of Patent:** **** Dec. 18, 2012**

(54) **LAMP HOUSING**

(75) Inventors: **Chu-Keng Lin**, Miao-Li (TW);
Sung-Hsiang Yang, Miao-Li (TW);
Wei-Chun Yeh, Miao-Li (TW)

(73) Assignee: **Foxsemicon Integrated Technology, Inc.**, Chu-Nan, Miao-Li Hsien (TW)

(**) Term: **14 Years**

(21) Appl. No.: **29/418,935**

(22) Filed: **Apr. 24, 2012**

(51) **LOC (9) Cl.** **26-99**

(52) **U.S. Cl.** **D26/120**

(58) **Field of Classification Search** D26/88,
D26/91, 85, 86, 72, 74, 76, 118, 90, 134,
D26/73, 75, 119, 120, 121, 122, 113, 71,
D26/84, 128, 129, 2, 125, 78, 77, 138, 26,
D26/89, 124, 130, 9, 10, 11, 24, 25, 63, 64,
D26/65, 69, 127; 362/311.13, 249.01-249.12,
362/373, 362, 326, 247, 342, 220, 147, 148,
362/282, 339, 620, 223, 376, 219; D23/412,
D23/385, 388; 349/64, 62, 63, 65; D16/101;
D13/179, 180

See application file for complete search history.

(56) **References Cited**

U.S. PATENT DOCUMENTS

D531,139	S	*	10/2006	Egawa et al.	D13/180
D539,945	S	*	4/2007	Egawa et al.	D26/24
D562,272	S	*	2/2008	Su et al.	D13/180
D565,515	S	*	4/2008	Chen	D13/180
D565,753	S	*	4/2008	Uemoto et al.	D26/24
D566,665	S	*	4/2008	Liao et al.	D13/180
D568,833	S	*	5/2008	Li	D13/180
D578,492	S	*	10/2008	Xu	D13/180
7,445,354	B2	*	11/2008	Aoki et al.	362/241
D581,885	S	*	12/2008	Ogata et al.	D13/180

7,566,147	B2	*	7/2009	Wilcox et al.	362/249.02
D601,280	S	*	9/2009	Hsu	D26/3
D607,423	S	*	1/2010	Lu et al.	D13/180
D609,200	S	*	2/2010	Kim	D13/180
D615,236	S	*	5/2010	Beghelli	D26/74
D616,590	S	*	5/2010	Huang et al.	D26/63
D623,781	S	*	9/2010	Uemoto et al.	D26/24
D626,265	S	*	10/2010	Liu	D26/61
D627,908	S	*	11/2010	Hu et al.	D26/63
D627,921	S	*	11/2010	Chen	D26/138
D629,558	S	*	12/2010	Little et al.	D26/120
D629,960	S	*	12/2010	Little et al.	D26/120
D629,963	S	*	12/2010	Little et al.	D26/138
D630,785	S	*	1/2011	Kim et al.	D26/63
7,938,558	B2	*	5/2011	Wilcox et al.	362/236
D645,424	S	*	9/2011	Lee et al.	D13/180
D665,105	S	*	8/2012	Betsuda et al.	D26/1

* cited by examiner

Primary Examiner — Kevin Rudzinski

(74) *Attorney, Agent, or Firm* — Altis Law Group, Inc.

(57) **CLAIM**

The ornamental design for a lamp housing, as shown and described.

DESCRIPTION

FIG. 1 is a perspective view of a lamp housing showing our new design.

FIG. 2 is a front elevational view thereof.

FIG. 3 is a rear elevational view thereof.

FIG. 4 is a left-side, elevational view thereof.

FIG. 5 is a right-side, elevational view thereof.

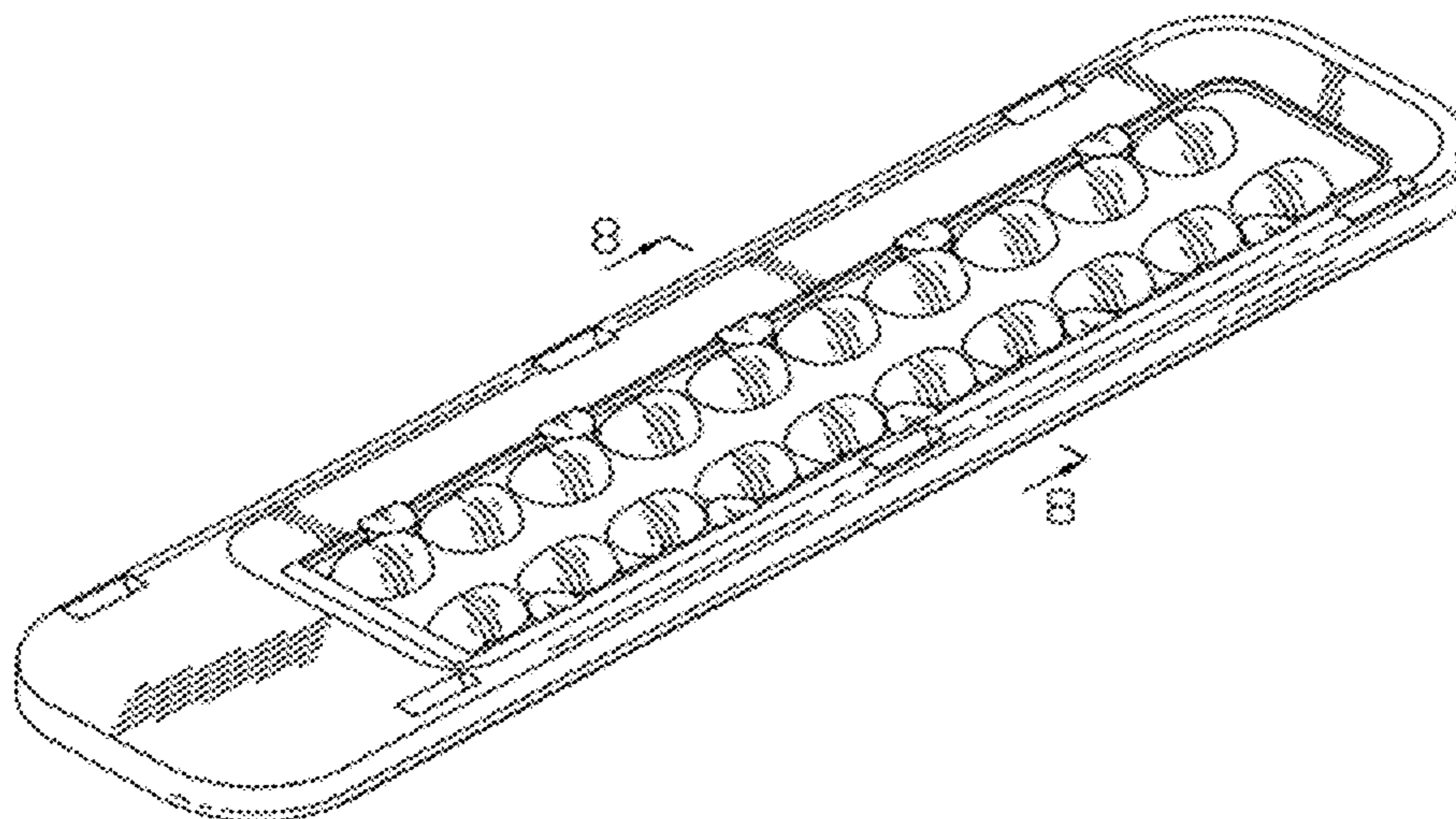
FIG. 6 is a top plan view thereof.

FIG. 7 is a bottom plan view thereof; and,

FIG. 8 is a cross-sectional view thereof, taken along lines 8-8 of FIG. 2.

The broken lines illustrating portions of the lamp housing in FIG. 3 form no part of the claimed design.

1 Claim, 8 Drawing Sheets



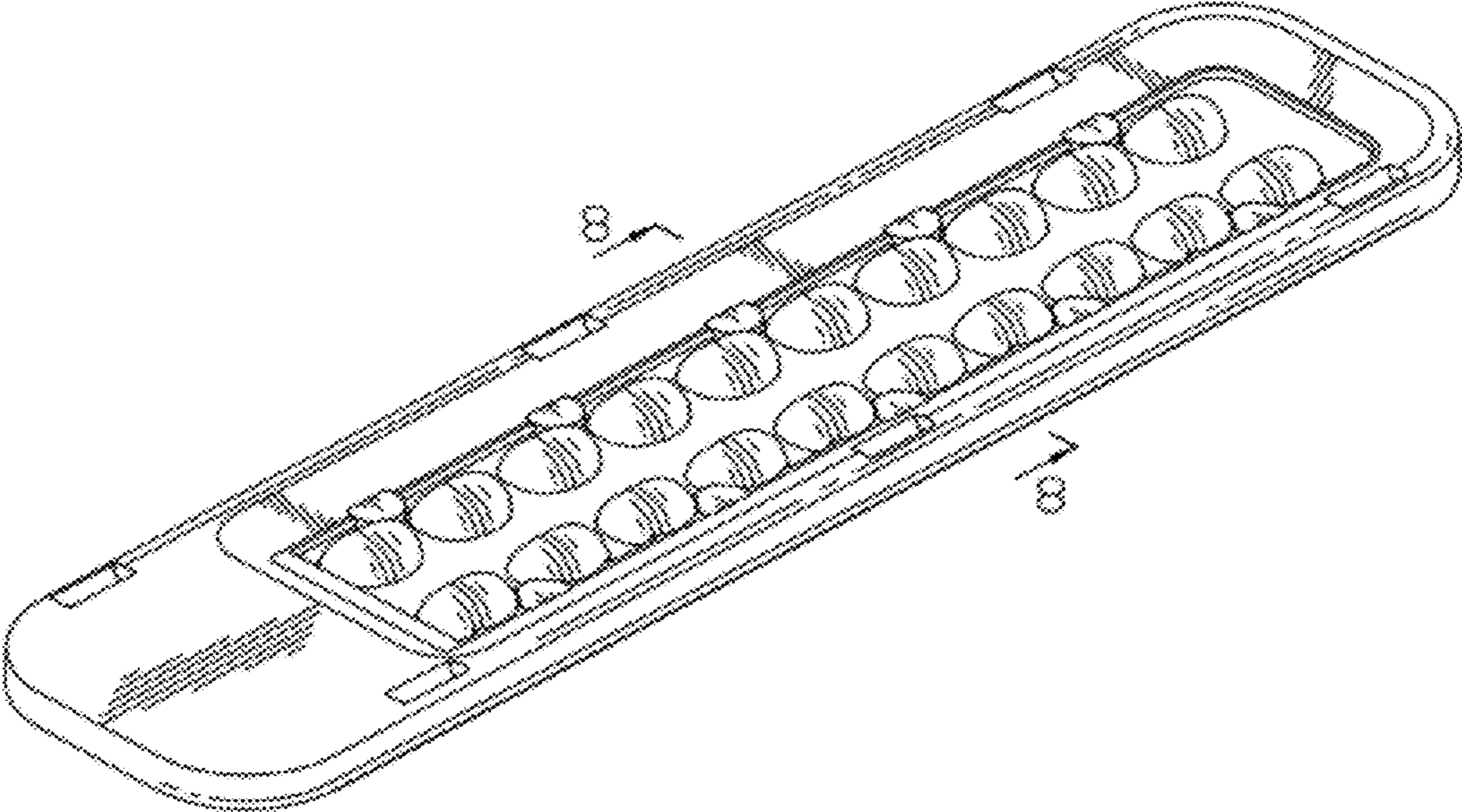


FIG. 1

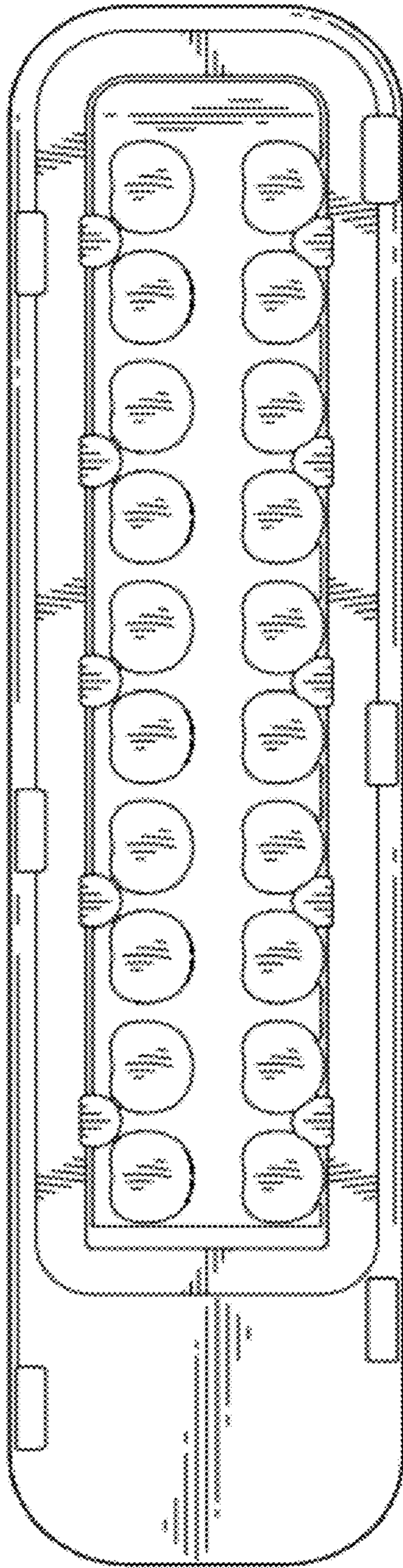


FIG. 2

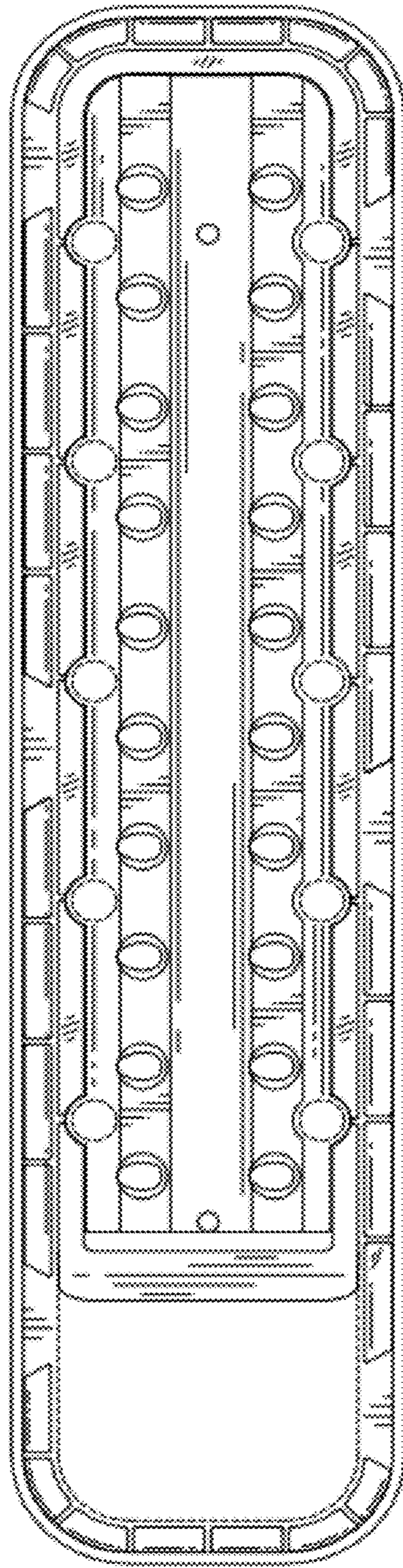


FIG. 3

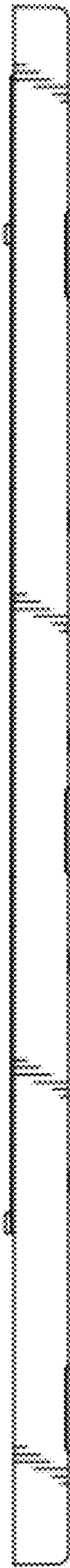


FIG. 4

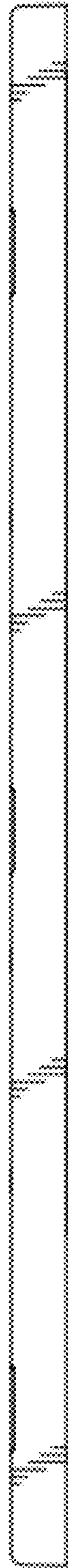


FIG. 5



FIG. 6



FIG. 7



FIG. 8