



US00D672908S

(12) **United States Design Patent**
Wilcox et al.

(10) **Patent No.:** **US D672,908 S**

(45) **Date of Patent:** **** Dec. 18, 2012**

(54) **FLOODLIGHT**

(75) Inventors: **Kurt S. Wilcox**, Libertyville, IL (US);
Wayne Guillien, Franksville, WI (US);
Frank Tsao, Cleveland (AU)

(73) Assignee: **Ruud Lighting, Inc.**, Racine, WI (US)

(**) Term: **14 Years**

(21) Appl. No.: **29/397,632**

(22) Filed: **Jul. 19, 2011**

Related U.S. Application Data

(63) Continuation of application No. 12/876,817, filed on
Sep. 7, 2010.

(51) **LOC (9) Cl.** **26-99**

(52) **U.S. Cl.** **D26/118**

(58) **Field of Classification Search** D26/113,
D26/71, 74, 75, 76, 118, 119, 120, 121, 122,
D26/128, 64, 65, 72, 24, 138, 61, 62, 63,
D26/139, 141, 142, 144, 145, 154, 155, 28,
D26/25, 26, 2, 143, 68, 153, 152, 140; 362/264,
362/249.01-249.11, 294, 652, 373, 640,
362/223, 240, 260, 225, 427; D13/179, 180,
D13/162, 110; D25/124, 119, 125, 126,
D25/118; D23/207, 221, 266, 263, 241,
D23/255

See application file for complete search history.

(56) **References Cited**

U.S. PATENT DOCUMENTS

D130,258 S * 11/1941 Tucker D16/225

(Continued)

OTHER PUBLICATIONS

Excerpts of e-conolight brochure. Date: May/Jun. 2010. 4 pages.

(Continued)

Primary Examiner — Kevin Rudzinski

(74) *Attorney, Agent, or Firm* — Jansson Shupe & Munger
Ltd

(57) **CLAIM**

The ornamental design for a floodlight, as shown and
described.

DESCRIPTION

FIG. 1 is a front perspective view of a first embodiment of a
floodlight.

FIG. 2 is a rear perspective view of the floodlight of FIG. 1.

FIG. 3 is a top elevation view of the floodlight of FIG. 1.

FIG. 4 is a bottom elevation view of the floodlight of FIG. 1.

FIG. 5 is a right side elevation view of the floodlight of FIG.
1, a left side elevation view being a mirror image.

FIG. 6 is a front elevation view of the floodlight of FIG. 1.

FIG. 7 is a rear elevation view of the floodlight of FIG. 1.

FIG. 8 is a front perspective view of a second embodiment of
a floodlight, the only difference being in proportional size of
the floodlight.

FIG. 9 is a rear perspective view of the floodlight of FIG. 8.

FIG. 10 is a top elevation view of the floodlight of FIG. 8.

FIG. 11 is a rear elevation view of the floodlight of FIG. 8.

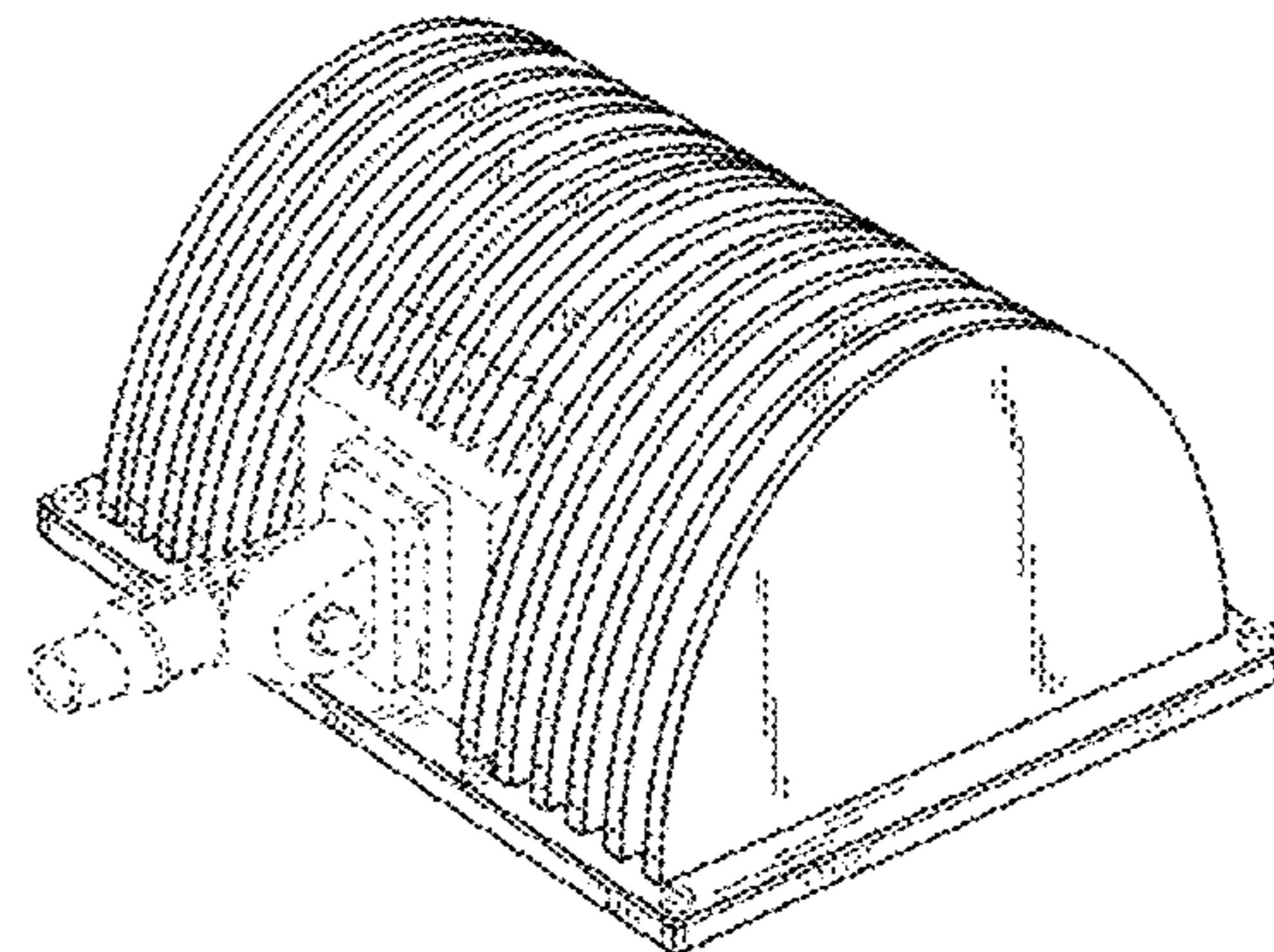
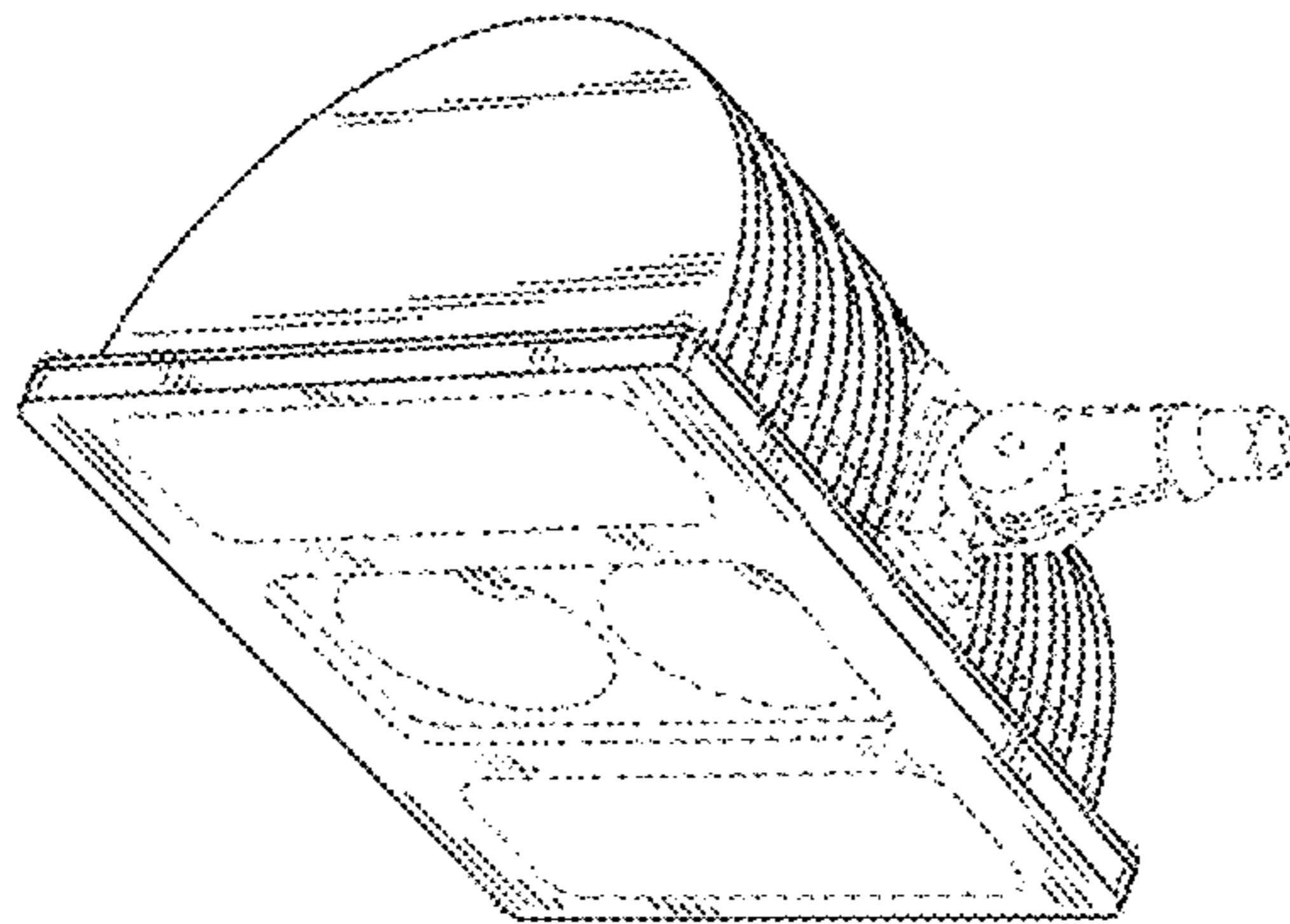
FIG. 12 is a right side elevation view of the floodlight of FIG.
8, a left side elevation view being a mirror image.

FIG. 13 is a front elevation view of the floodlight of FIG. 8;
and,

FIG. 14 is a rear elevation view of the floodlight of FIG. 8.

The broken lines in the drawings illustrating portions of the
floodlight form no part of the claimed design.

1 Claim, 12 Drawing Sheets



U.S. PATENT DOCUMENTS

D176,062 S * 11/1955 Calmes D26/63
 D190,922 S * 7/1961 Anthony D26/24
 D198,810 S * 8/1964 Rice D26/67
 3,167,258 A * 1/1965 Wilde 362/220
 3,213,270 A * 10/1965 Appleton et al. 362/371
 D203,865 S * 2/1966 Cooper D26/63
 3,254,205 A * 5/1966 Cobb 362/220
 3,363,091 A * 1/1968 Cooper 362/293
 3,502,858 A * 3/1970 Habro et al. 362/373
 3,604,916 A * 9/1971 Adra et al. 362/267
 3,636,339 A * 1/1972 Osborne, Jr. 362/362
 D271,426 S * 11/1983 Yabata D26/29
 4,709,312 A 11/1987 Heinisch
 D298,656 S 11/1988 Compton
 D308,111 S * 5/1990 Banathy et al. D26/68
 D319,891 S * 9/1991 Giese D26/67
 D353,474 S * 12/1994 Shyan D26/63
 5,381,322 A * 1/1995 Humphreys 362/220
 D355,502 S * 2/1995 Liao D26/67
 D360,962 S * 8/1995 Cornell et al. D26/67
 D434,515 S * 11/2000 McNamara D26/63
 D439,355 S * 3/2001 Ford D26/63
 6,196,705 B1 * 3/2001 Finke et al. 362/276
 6,328,460 B1 * 12/2001 Grossman et al. 362/427
 D453,227 S * 1/2002 Lin D26/63
 D465,592 S * 11/2002 Lin D26/65
 D475,154 S * 5/2003 Binsukor D26/72
 D479,015 S * 8/2003 Tang D26/63
 D482,153 S * 11/2003 McNamara D26/67
 D484,629 S * 12/2003 Fong et al. D26/63
 D544,125 S 6/2007 Guercio
 D545,471 S * 6/2007 Guercio D26/63
 D545,472 S 6/2007 Guercio
 D545,987 S 7/2007 Guercio
 D549,380 S 8/2007 Guercio
 D550,387 S 9/2007 Giercio

D550,392 S 9/2007 Guercio
 D552,282 S 10/2007 Guercio
 D552,283 S 10/2007 Guercio
 D552,778 S * 10/2007 Butler D26/63
 D565,223 S * 3/2008 Guercio D26/63
 D574,102 S * 7/2008 Quiogue et al. D26/63
 D611,635 S * 3/2010 Gordin D26/63
 D618,374 S * 6/2010 Guercio D26/63
 D625,450 S * 10/2010 Rosenkrantz et al. D26/61
 D630,790 S * 1/2011 Josefowicz et al. D26/71
 D635,712 S * 4/2011 Leen D26/118
 D642,719 S * 8/2011 Lindholm et al. D26/63
 D643,147 S * 8/2011 Guercio et al. D26/118
 D648,479 S * 11/2011 Herman D26/118
 D659,280 S * 5/2012 Guercio et al. D26/118

OTHER PUBLICATIONS

Excerpts from www.rabweb.com. Rab Lighting. Date: May 27, 2010. 2 pages.
 Excerpts from www.gardcolighting.com. Gardco Lighting. Date: Copyright 2006. 4 pages.
 Gardco Lighting brochure. Designer Flood Spot and Floodlighting. Copyright 2005.
 Kim Lighting brochure. AFL2 Architectural floodlights 250 and 400 watt. Date: Oct. 1995.
 Kim Lighting brochure. Micro Flood. Date: 1996.
 Kim Lighting brochure. AFL Architectural floodlights. Date: 1996.
 Kim Lighting brochure. CFL Series Compact Floodlight. Date: 1996.
 Kim Lighting. AFL10 Architectural Floodlights Specification. Date: 2001.
 Kim Lighting brochure. the AFL family. Date: Oct. 1995.
 Kim Lighting brochure. Kim Architectural Floodlights. Date: 1996.
 Grandlite brochure. The Round Back Flood. 2 pages. Date: Jun. 2004.

* cited by examiner

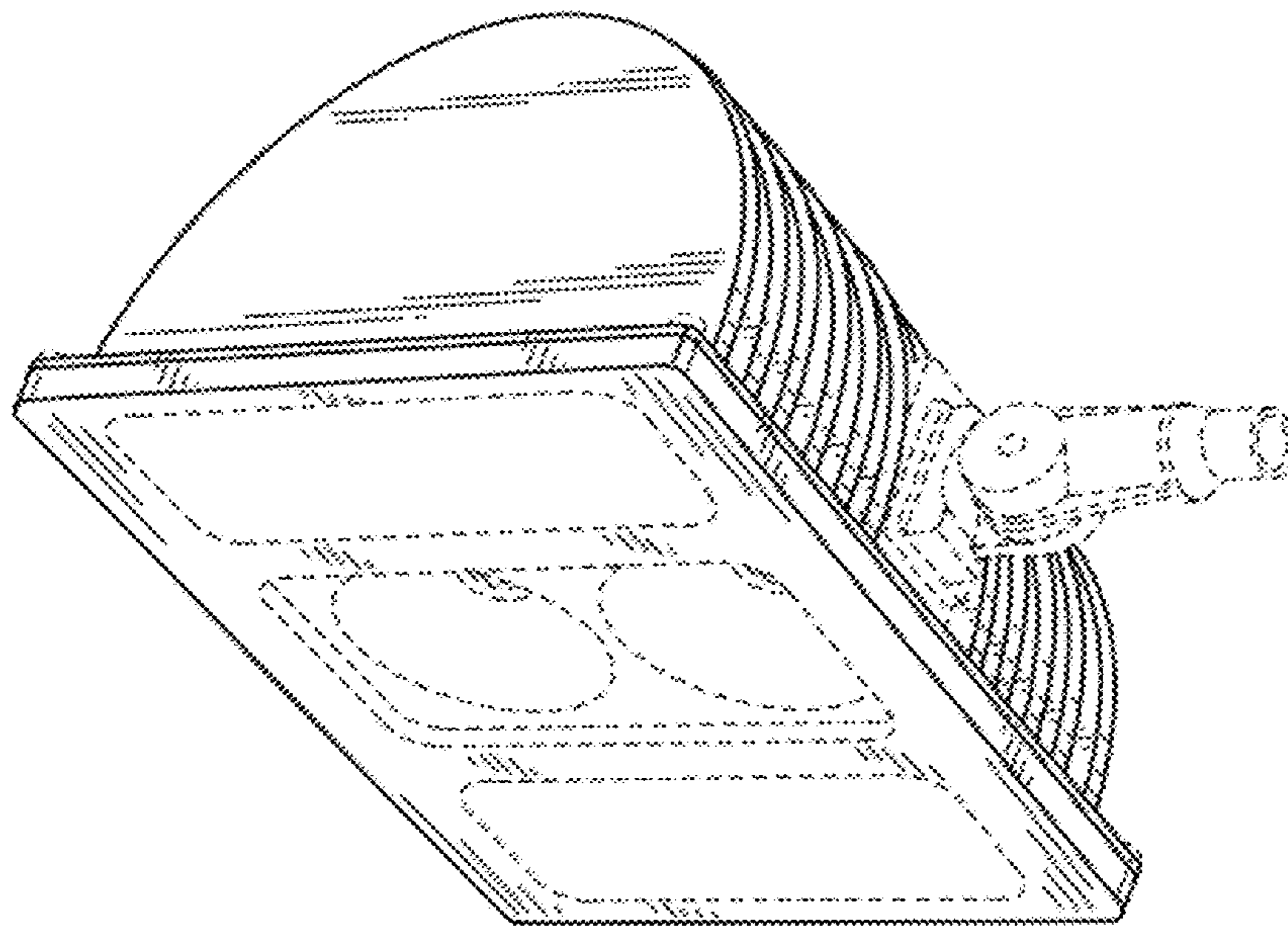


FIG. 1

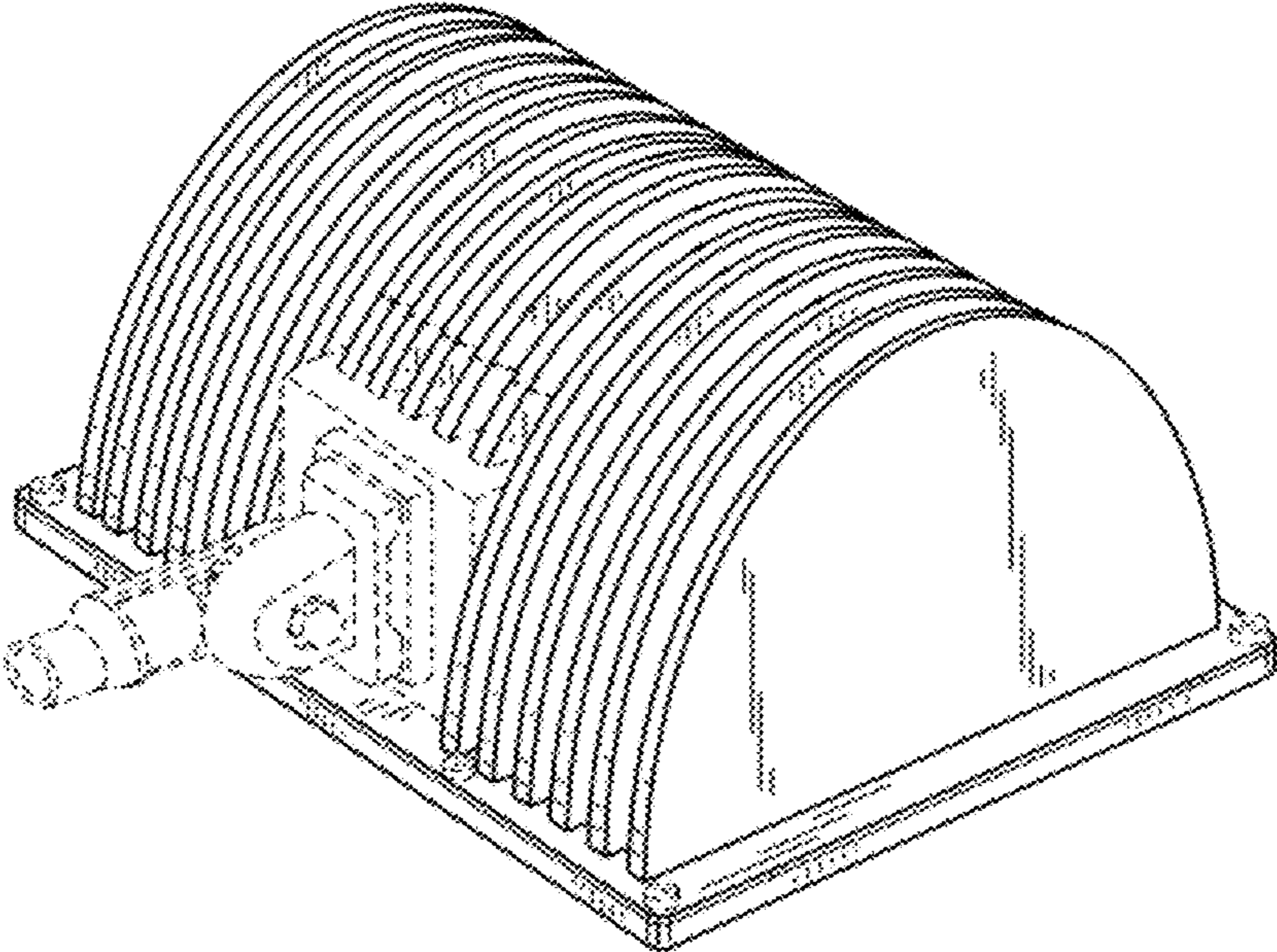


FIG. 2

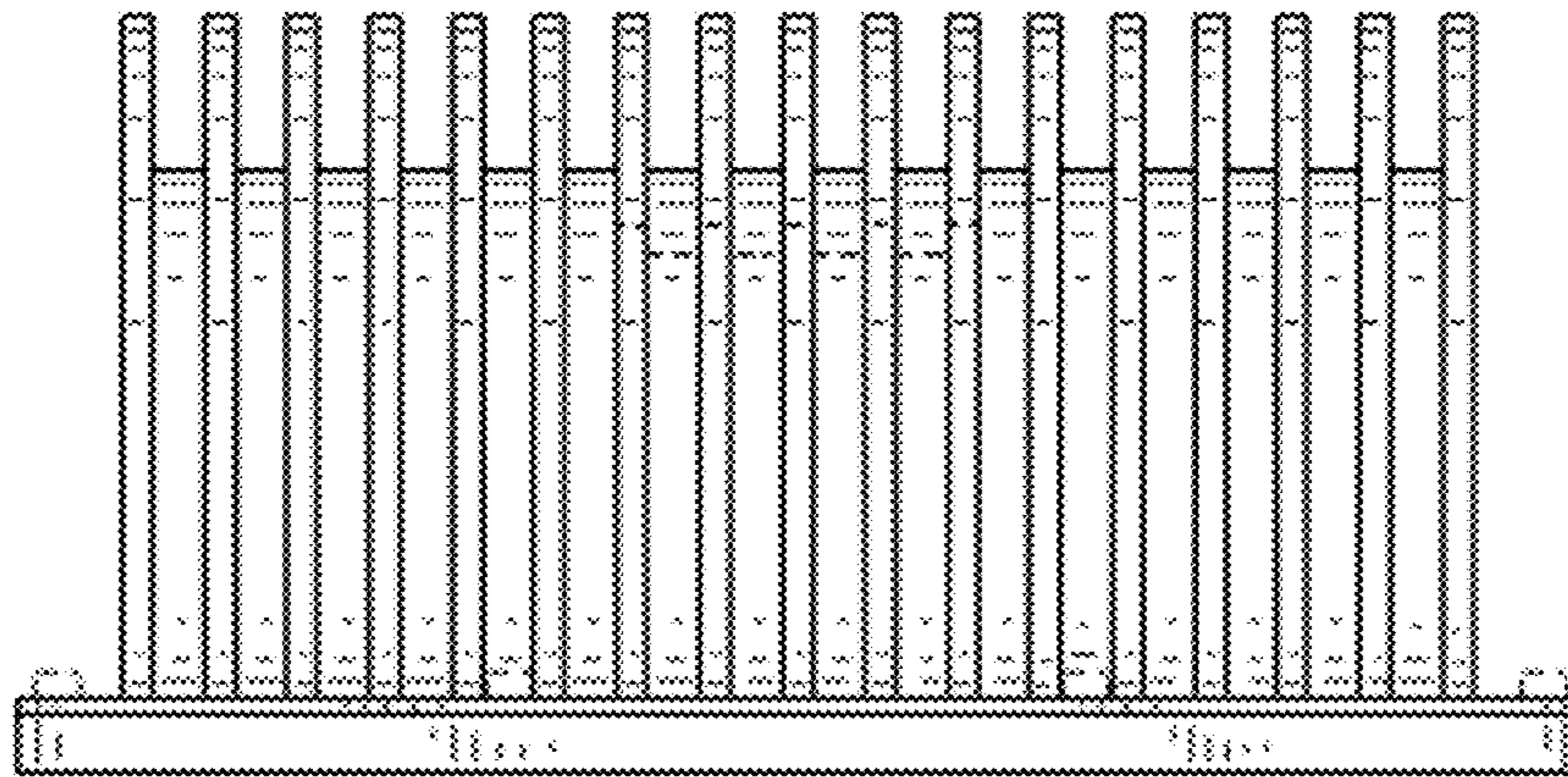


FIG. 3

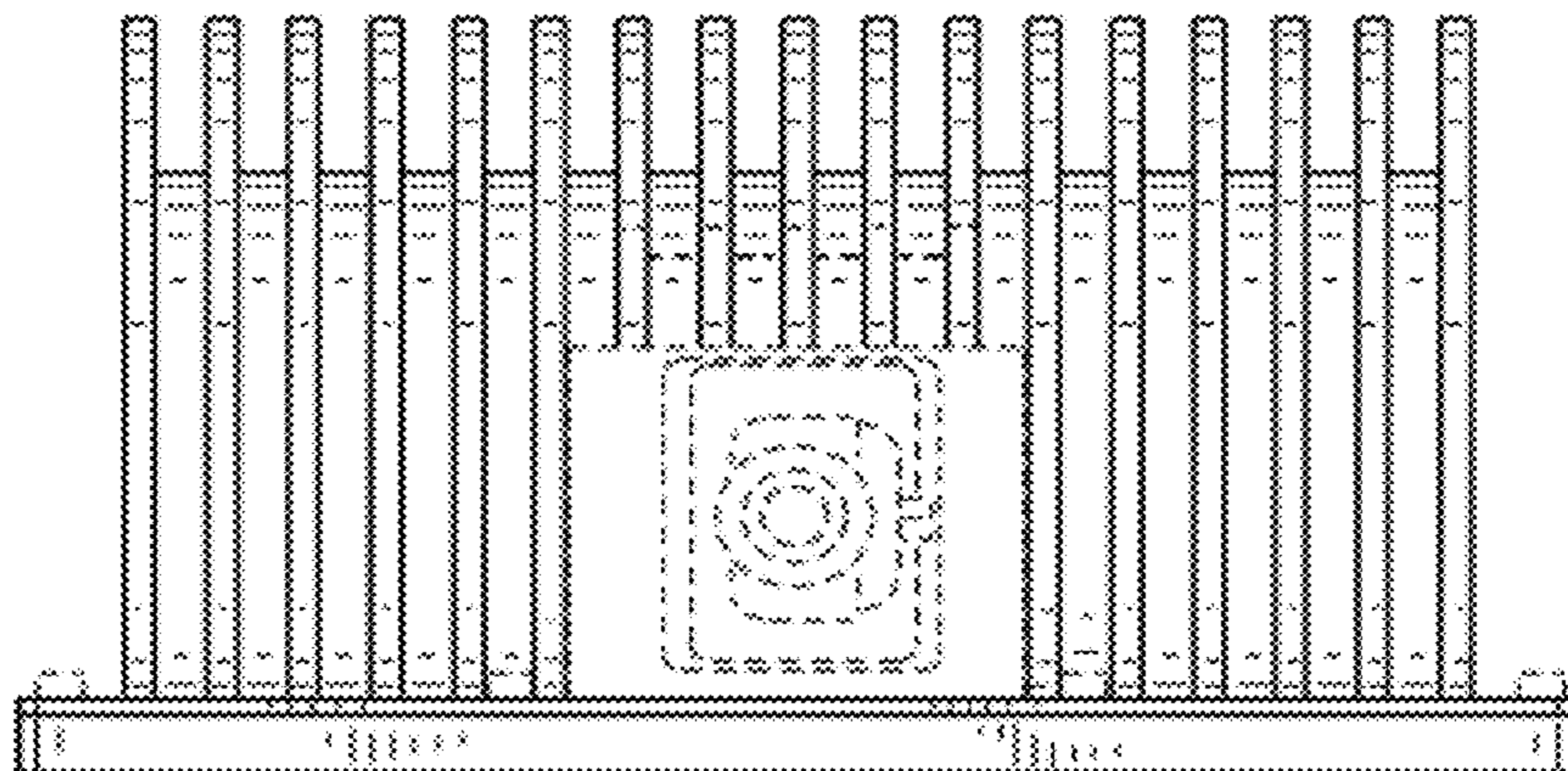


FIG. 4

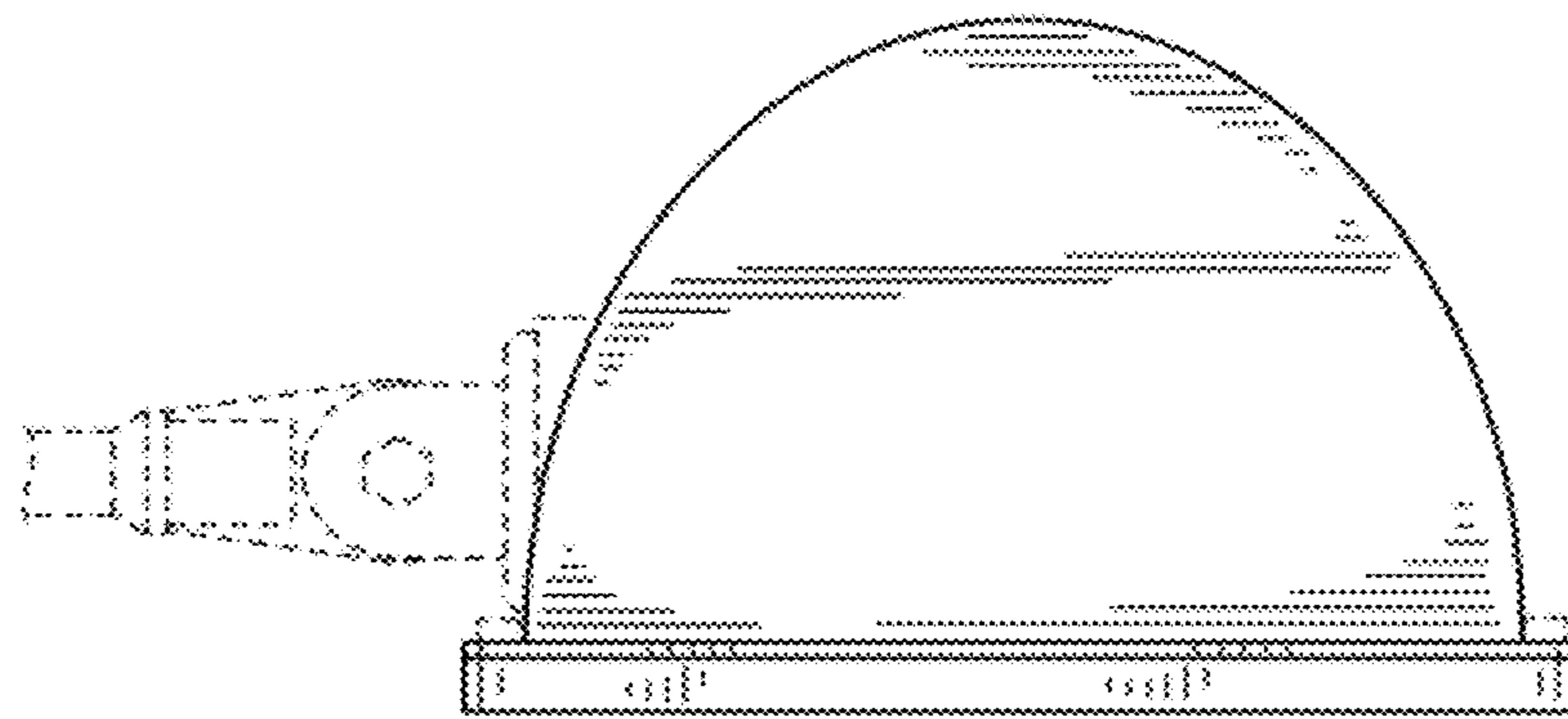


FIG. 5

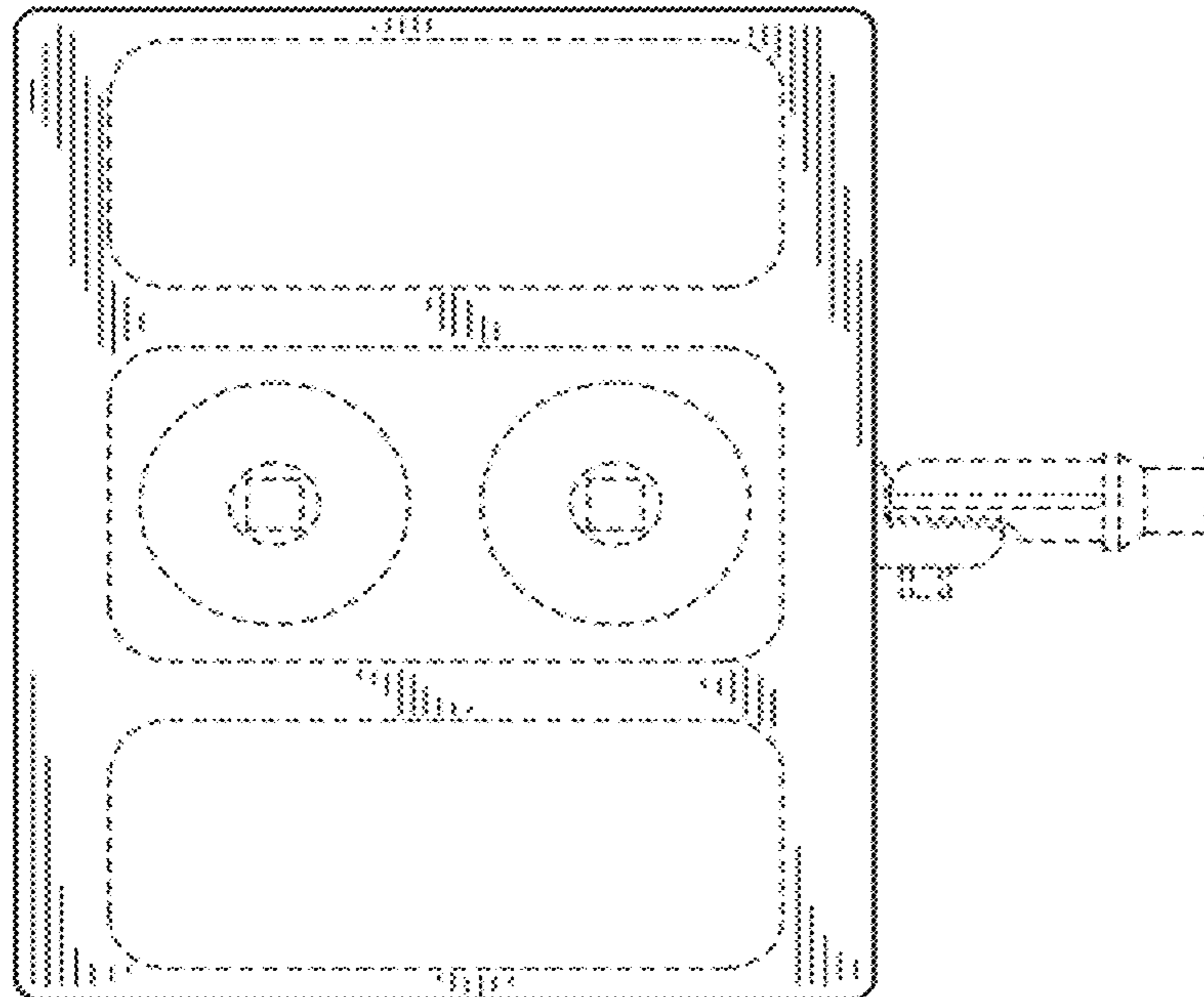


FIG. 6

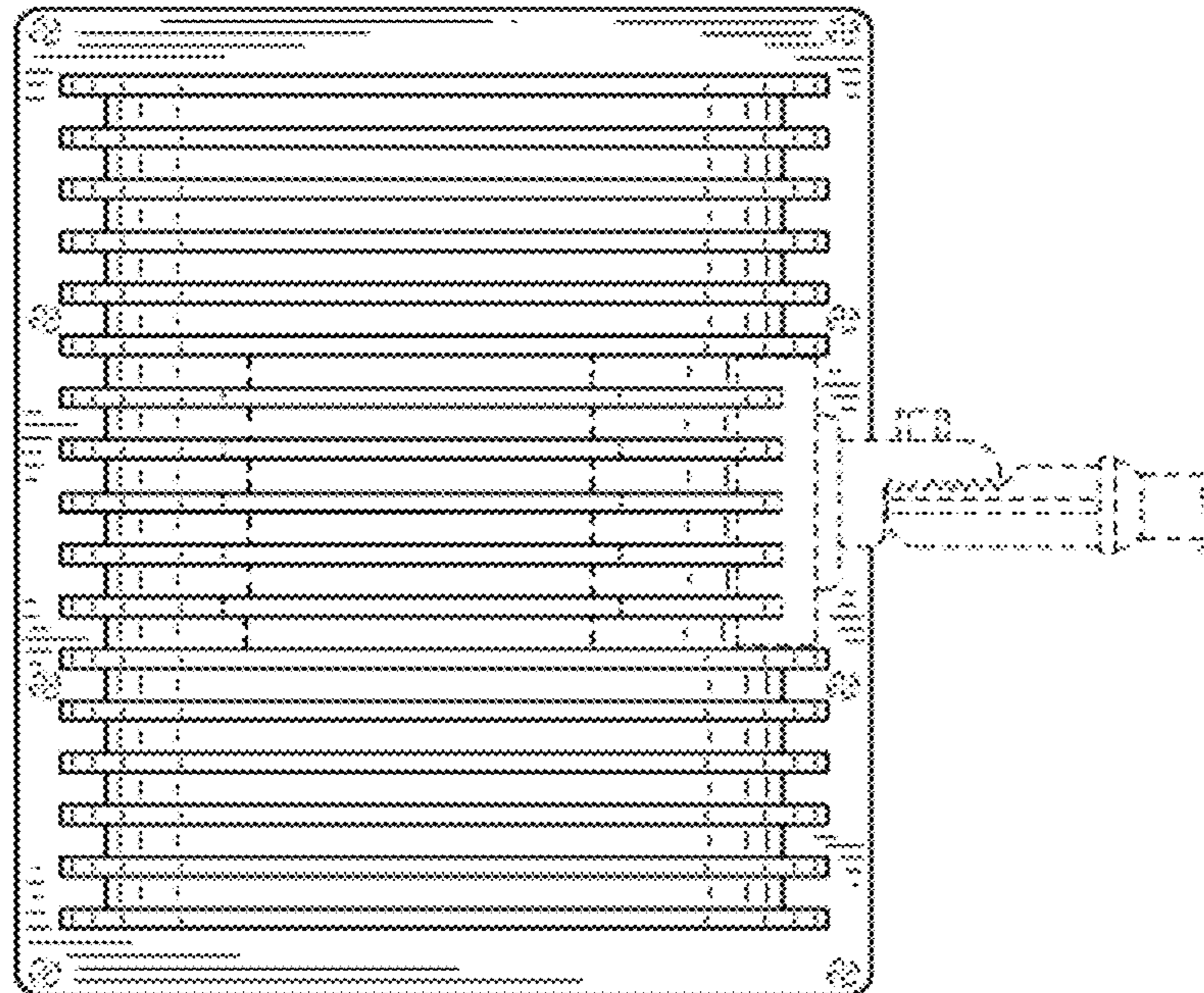


FIG. 7

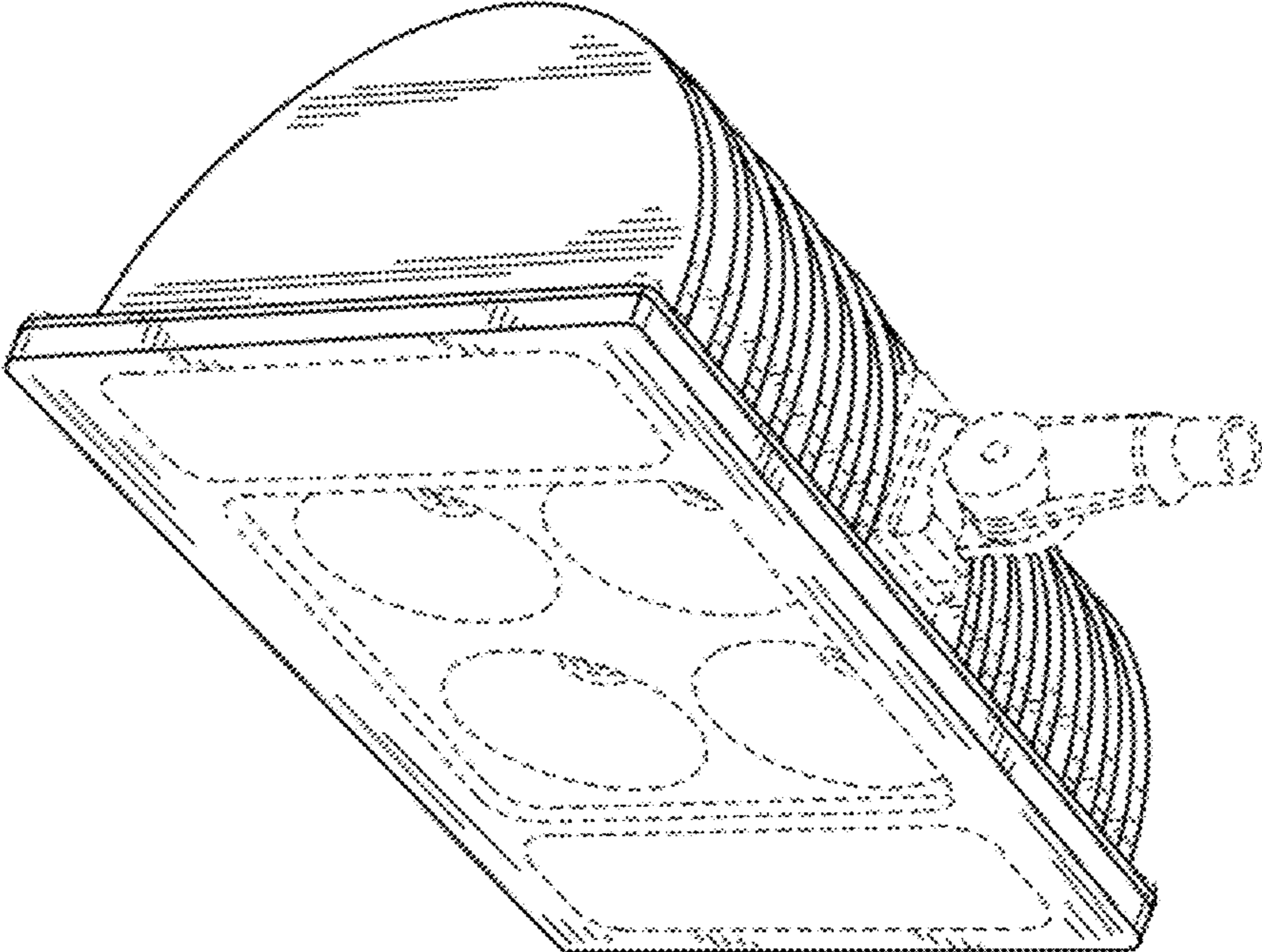


FIG. 8

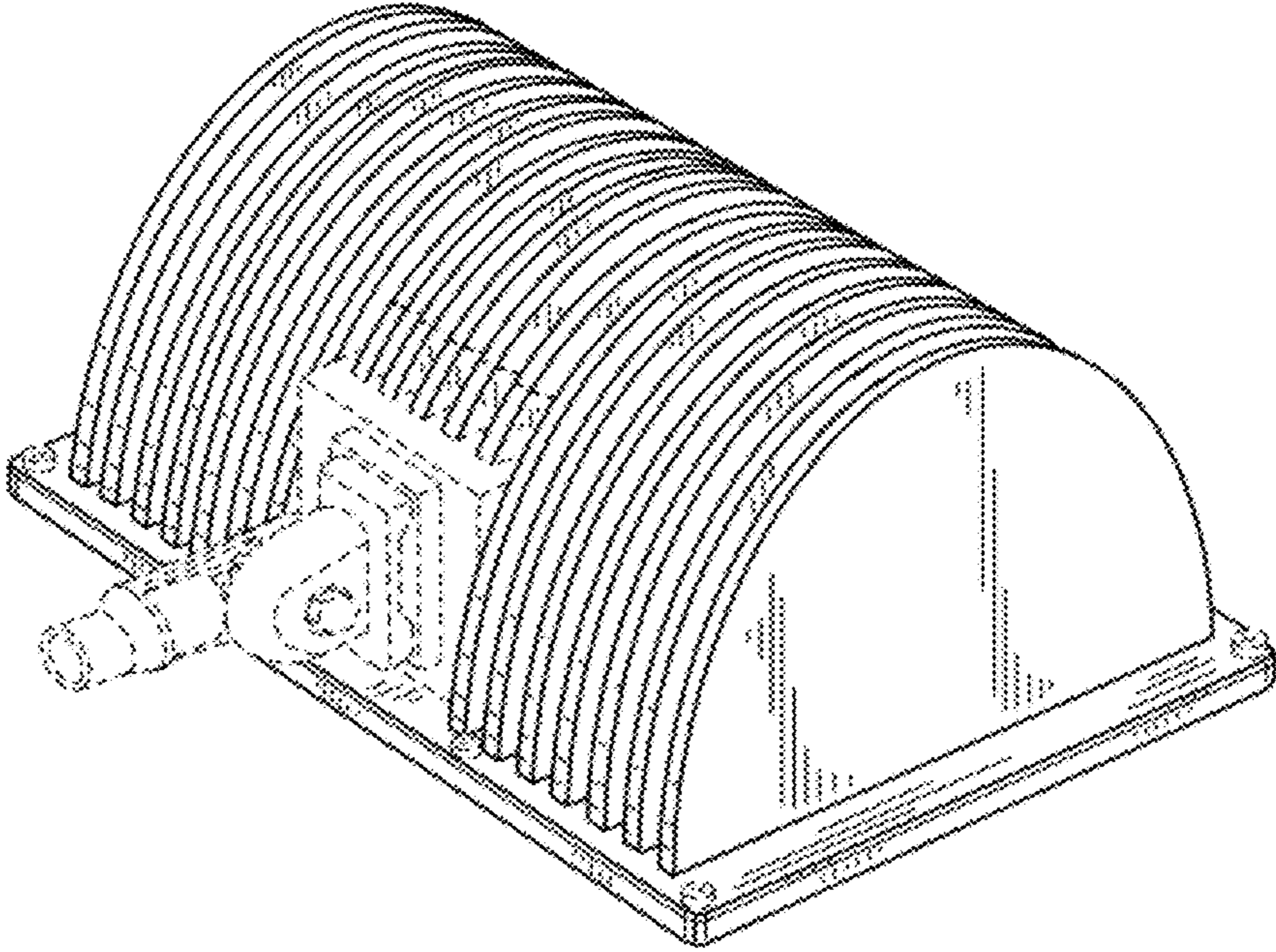


FIG. 9

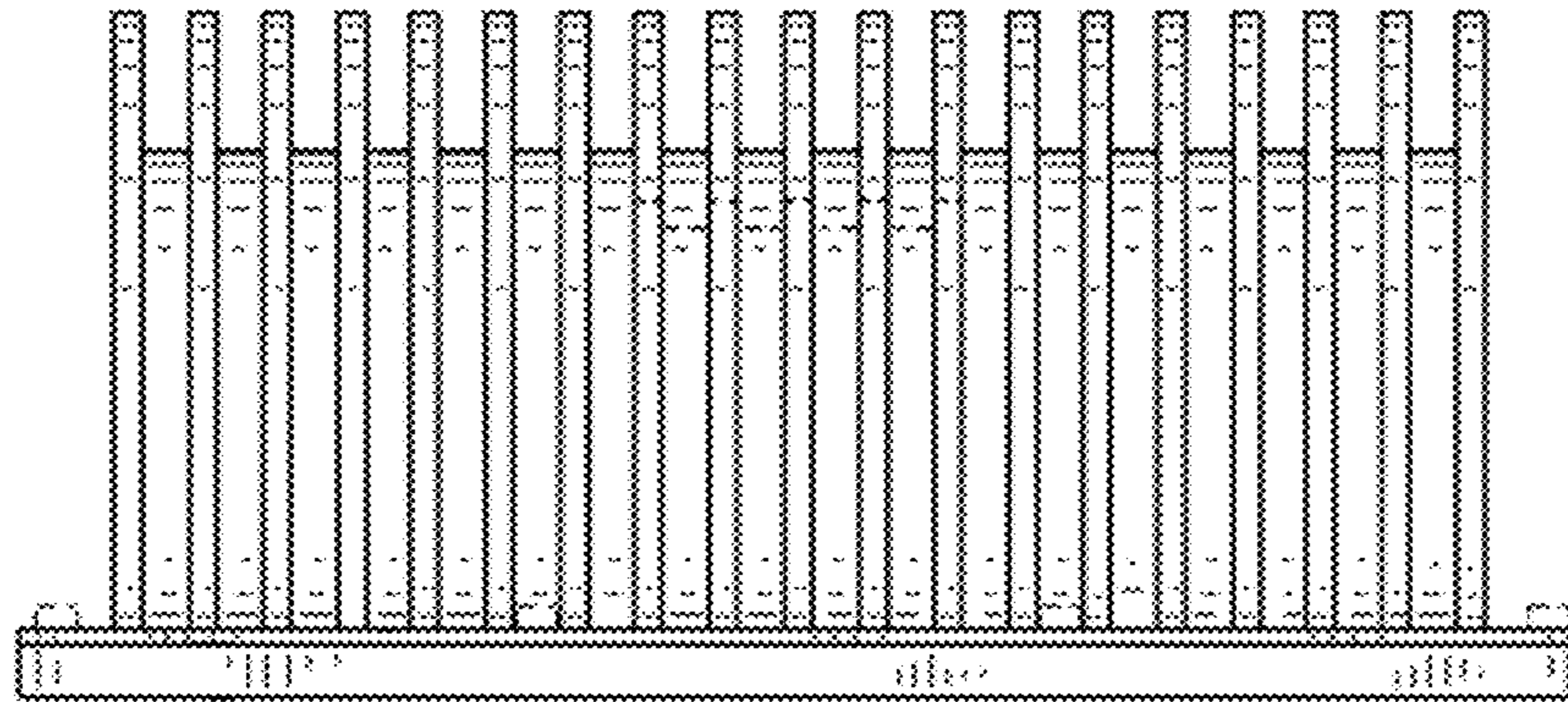


FIG. 10

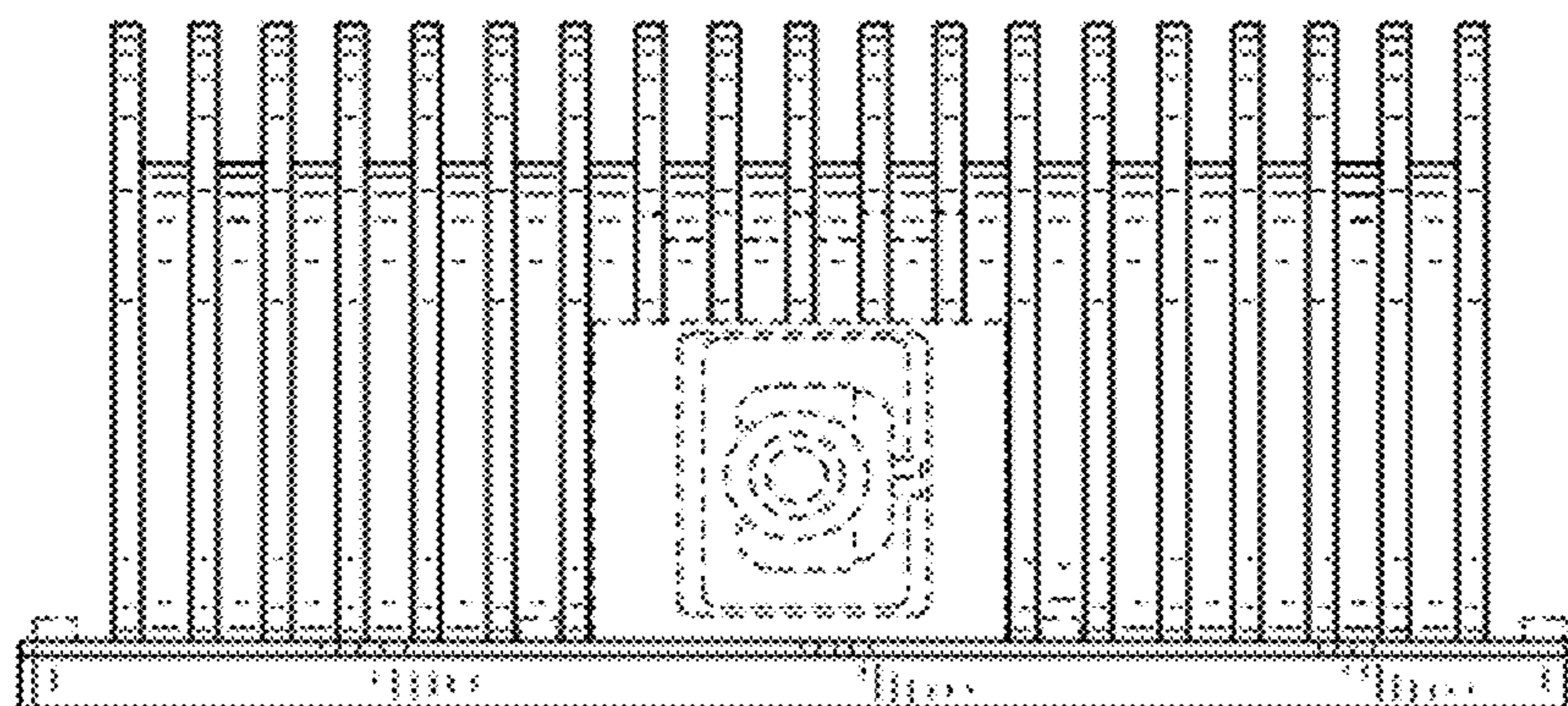


FIG. 11

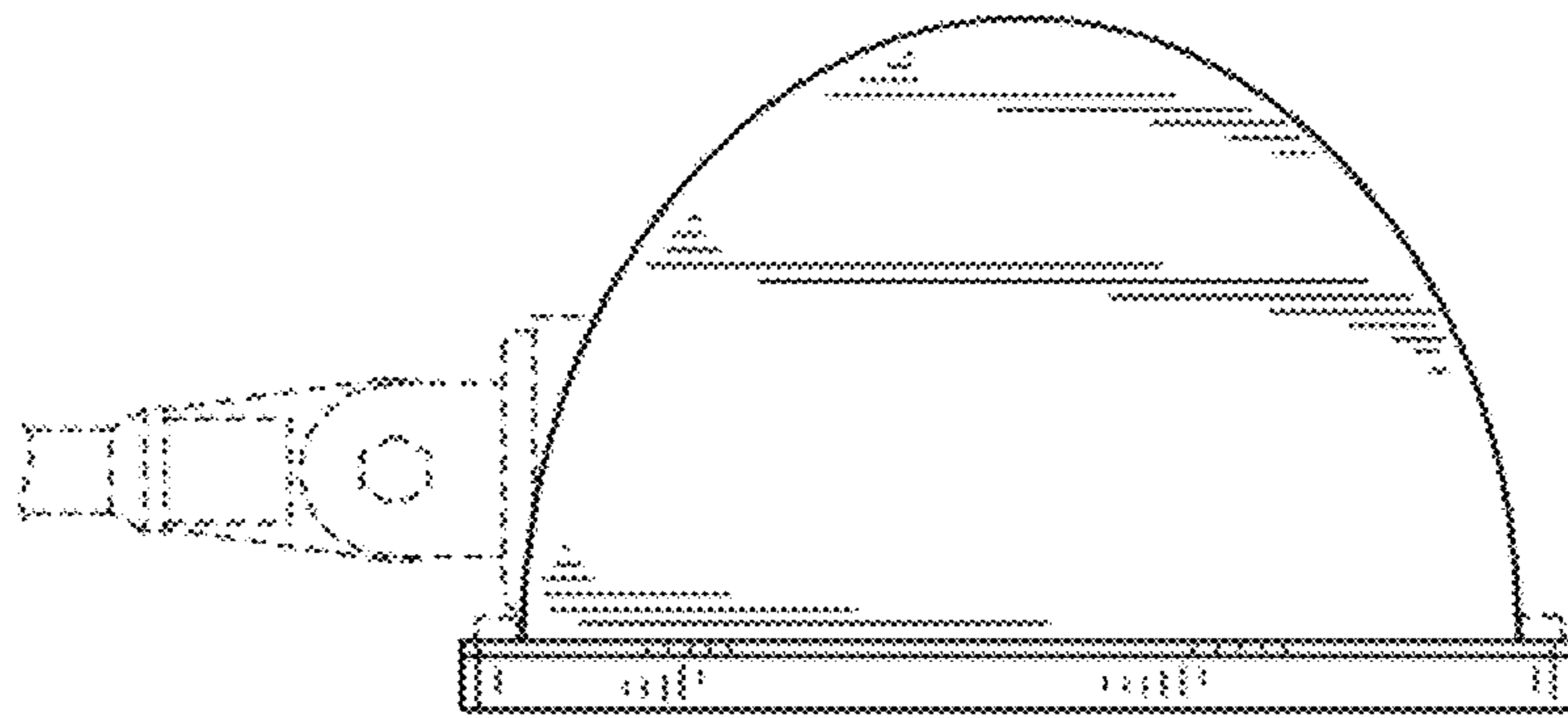


FIG. 12

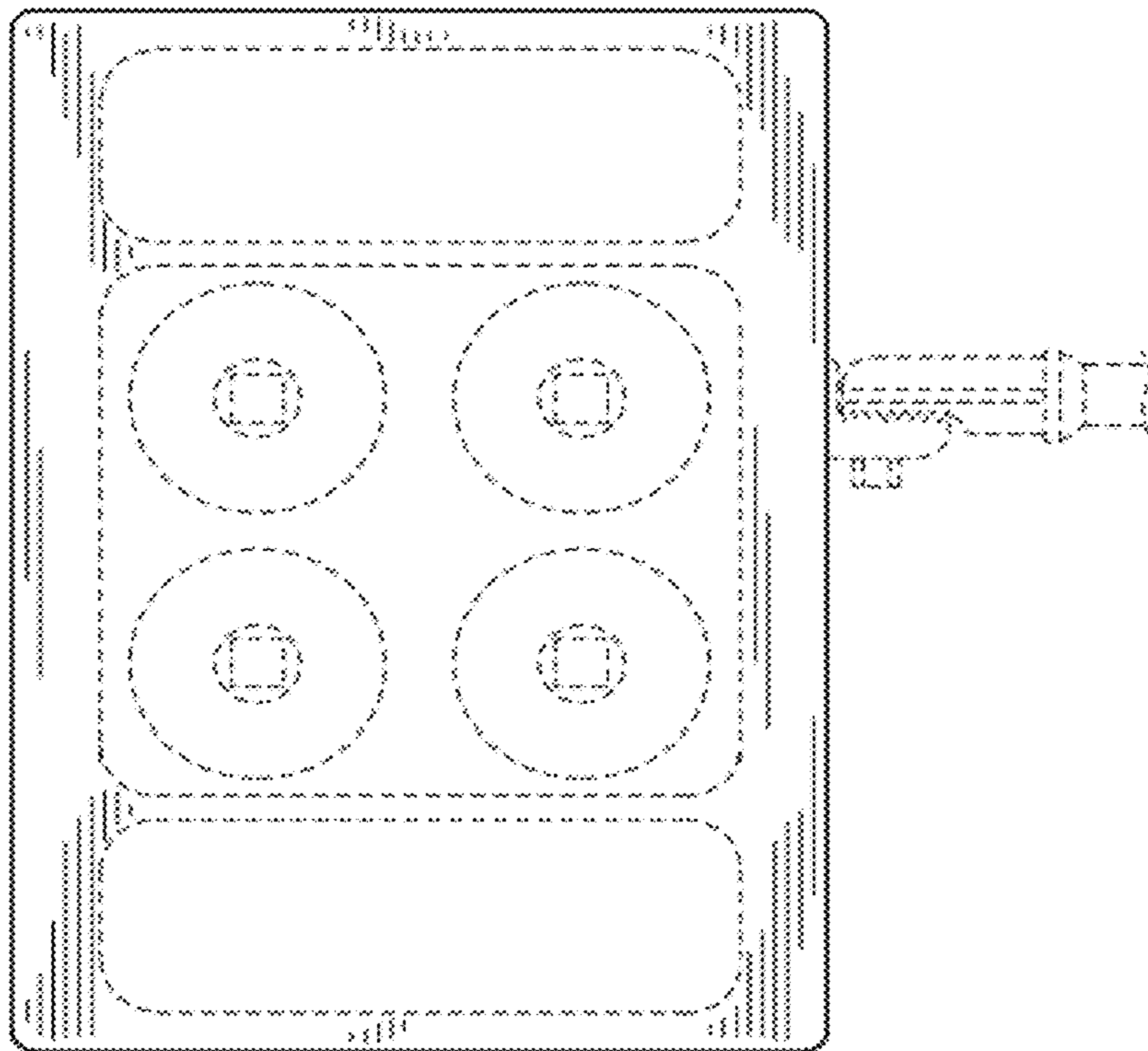


FIG. 13

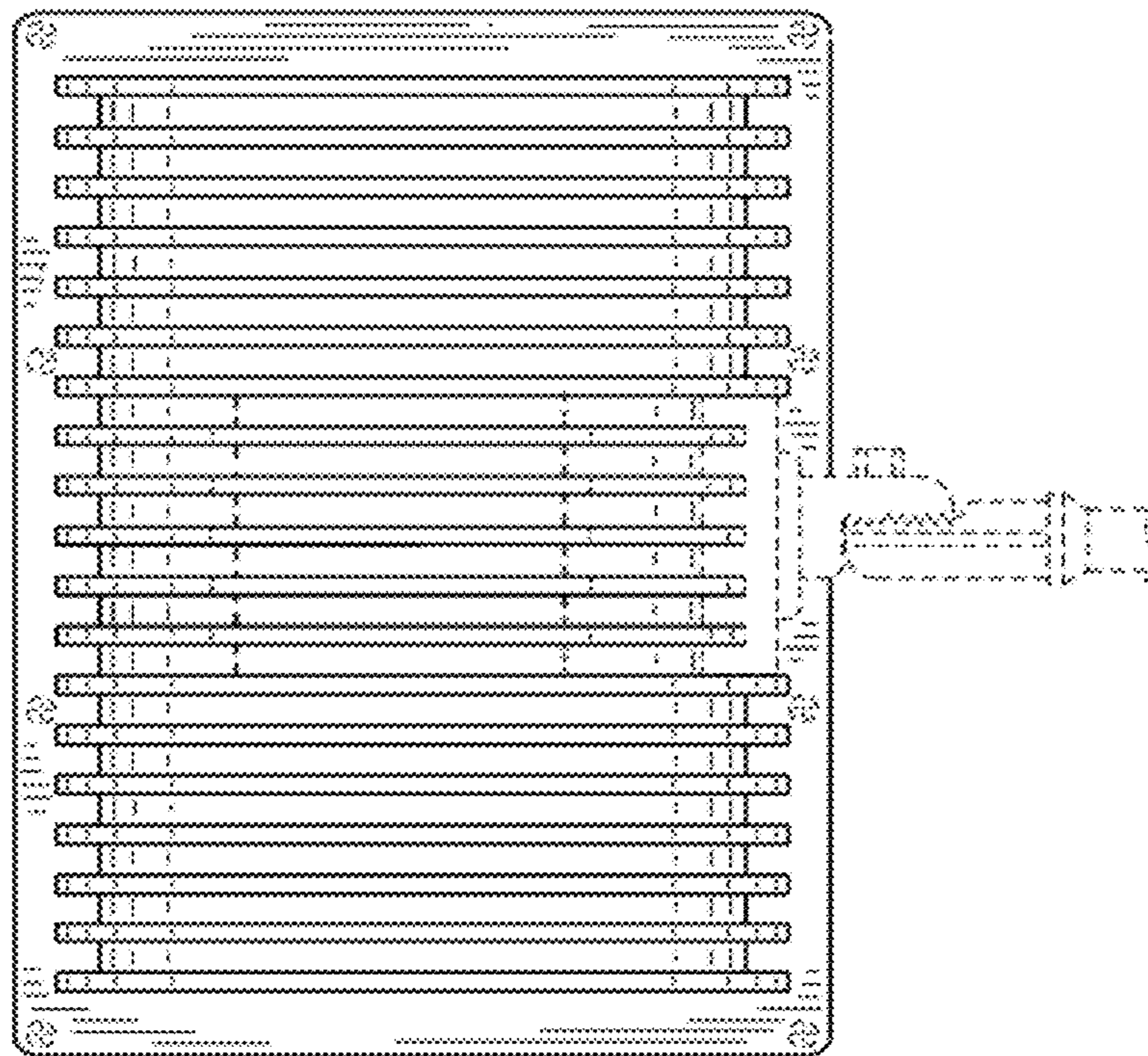


FIG. 14