



US00D672907S

(12) **United States Design Patent**
Wilcox et al.

(10) **Patent No.:** **US D672,907 S**
(45) **Date of Patent:** **** Dec. 18, 2012**

- (54) **DIRECTIONAL FLOODLIGHT**
- (75) Inventors: **Kurt S. Wilcox**, Libertyville, IL (US);
Wayne Guillien, Franksville, WI (US);
Frank Tsao, Cleveland (AU)
- (73) Assignee: **Ruud Lighting, Inc.**, Racine, WI (US)
- (**) Term: **14 Years**

- (21) Appl. No.: **29/397,630**
- (22) Filed: **Jul. 19, 2011**

Related U.S. Application Data

- (63) Continuation of application No. 12/876,826, filed on Sep. 7, 2010.
- (51) **LOC (9) Cl.** **26-99**
- (52) **U.S. Cl.** **D26/118**
- (58) **Field of Classification Search** D26/113,
D26/71, 74, 75, 76, 118, 119, 120, 121, 122,
D26/128, 64, 65, 72, 24, 138, 61, 62, 63,
D26/139, 141, 142, 144, 145, 154, 155, 28,
D26/25, 26, 2, 143, 68, 153, 152, 140; 362/264,
362/249.01-249.11, 294, 652, 373, 640,
362/223, 240, 260, 225, 427; D13/179, 180,
D13/162, 110; D25/124, 119, 125, 126,
D25/118; D23/207, 221, 266, 263, 241,
D23/255
See application file for complete search history.

(56) **References Cited**

U.S. PATENT DOCUMENTS

- 4,761,721 A * 8/1988 Willing 362/348
- D340,305 S * 10/1993 Hall et al. D26/68
- D361,148 S * 8/1995 Wedell D26/63
- D374,496 S * 10/1996 Small et al. D26/63

- D383,236 S * 9/1997 Krogman D26/63
- D399,581 S 10/1998 Giese et al.
- D399,583 S 10/1998 Giese et al.
- D399,584 S 10/1998 Giese et al.
- D399,585 S 10/1998 Giese et al.
- D400,997 S * 11/1998 Cheun et al. D26/63
- 5,988,833 A 11/1999 Giese et al.
- D437,652 S * 2/2001 Uhler et al. D26/63

(Continued)

OTHER PUBLICATIONS

Excerpts of e-conolight brochure. Date: May/Jun. 2010. 2 pages.

Primary Examiner — Kevin Rudzinski

(74) *Attorney, Agent, or Firm* — Jansson Shupe & Munger Ltd.

(57) **CLAIM**

The ornamental design for a directional floodlight, as shown and described.

DESCRIPTION

FIG. 1 is a front perspective view of a directional floodlight. FIG. 2 is a rear perspective view of the directional floodlight of FIG. 1.

FIG. 3 is a front elevation view of the directional floodlight of FIG. 1.

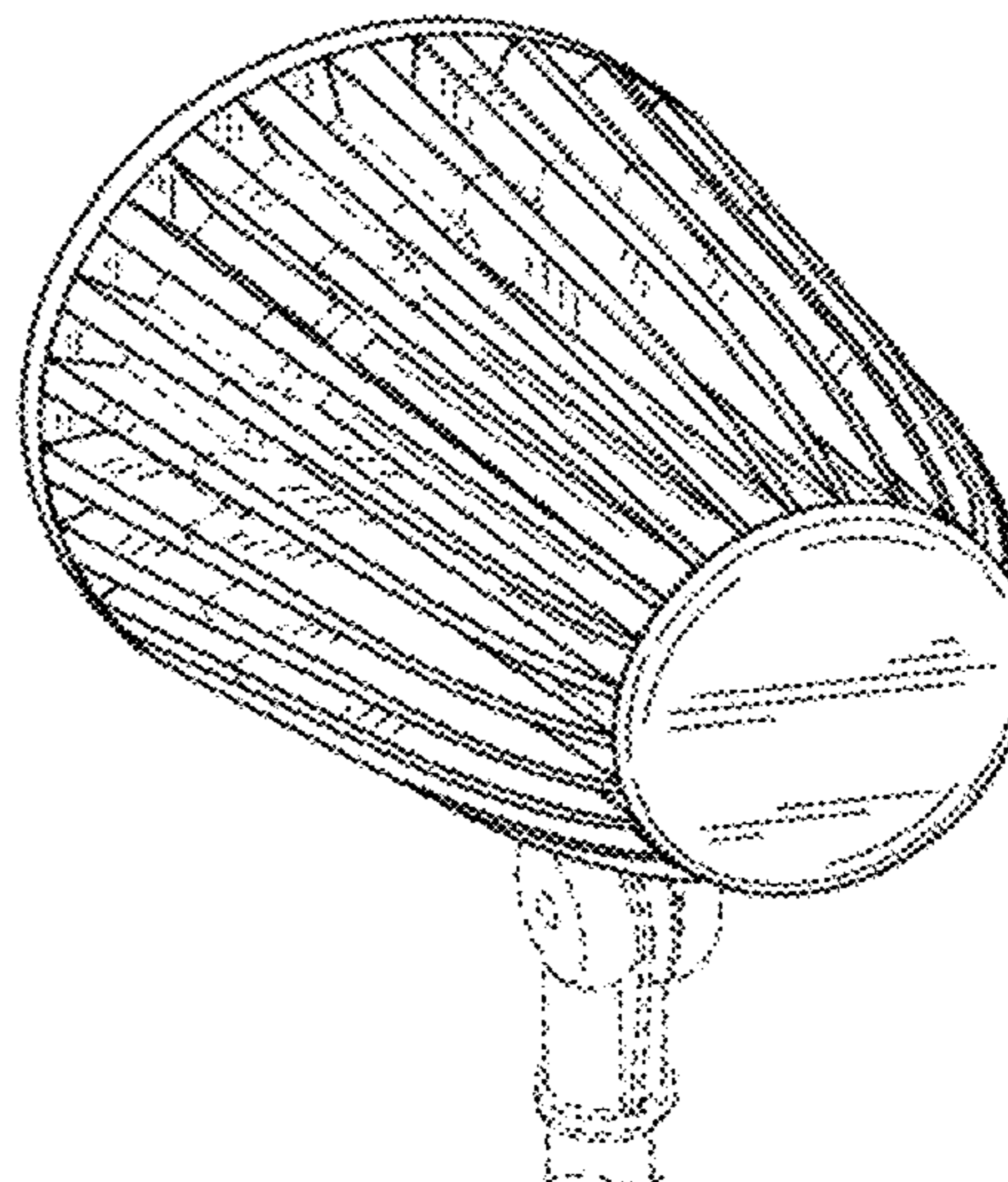
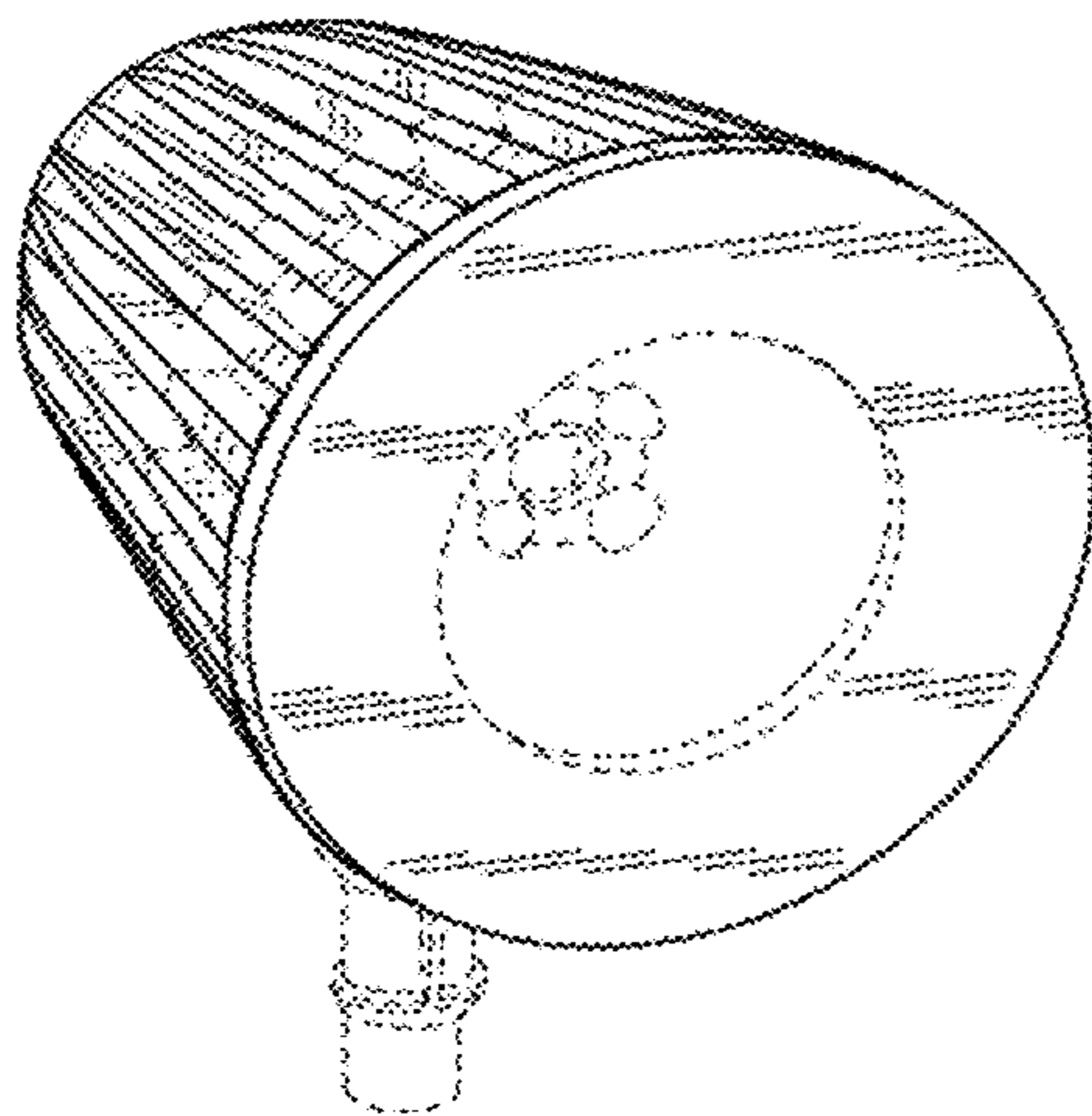
FIG. 4 is a rear elevation view of the directional floodlight of FIG. 1.

FIG. 5 is a left side elevation view of the directional floodlight of FIG. 1, a right side elevation view being a mirror image; FIG. 6 is a bottom elevation view of the directional floodlight of FIG. 1; and,

FIG. 7 is a top elevation view of the directional floodlight of FIG. 1.

The broken lines in the drawings illustrating portions of the directional floodlight form no part of the claimed design.

1 Claim, 5 Drawing Sheets



US D672,907 S

Page 2

U.S. PATENT DOCUMENTS

D465,588 S *	11/2002	Nagano	D26/28	D634,870 S *	3/2011	Shen et al.	D26/52
D528,673 S *	9/2006	Maxik et al.	D26/2	D644,354 S *	8/2011	Layevsky et al.	D26/2
D587,384 S *	2/2009	Wei	D26/2	D659,896 S *	5/2012	Gordin et al.	D26/118
D591,894 S *	5/2009	Flank	D26/74	2005/0174780 A1	8/2005	Park	
D601,276 S *	9/2009	Grajcar	D26/2	2007/0253202 A1	11/2007	Wu et al.	
D610,723 S *	2/2010	Grajcar	D26/2	2007/0279921 A1	12/2007	Alexander et al.	
D620,154 S *	7/2010	Wang et al.	D26/2	2008/0037255 A1	2/2008	Wang	
D626,094 S *	10/2010	Alexander et al.	D13/179	2008/0080162 A1	4/2008	Wilcox et al.	
D627,496 S *	11/2010	Feinbloom et al.	D26/28	2008/0158887 A1*	7/2008	Zhu et al.	362/294
D629,151 S *	12/2010	Zaderej et al.	D26/118	2011/0121704 A1*	5/2011	Wang et al.	313/46
D629,930 S *	12/2010	Cotter et al.	D26/2	2012/0057352 A1*	3/2012	Wilcox et al.	362/308

* cited by examiner

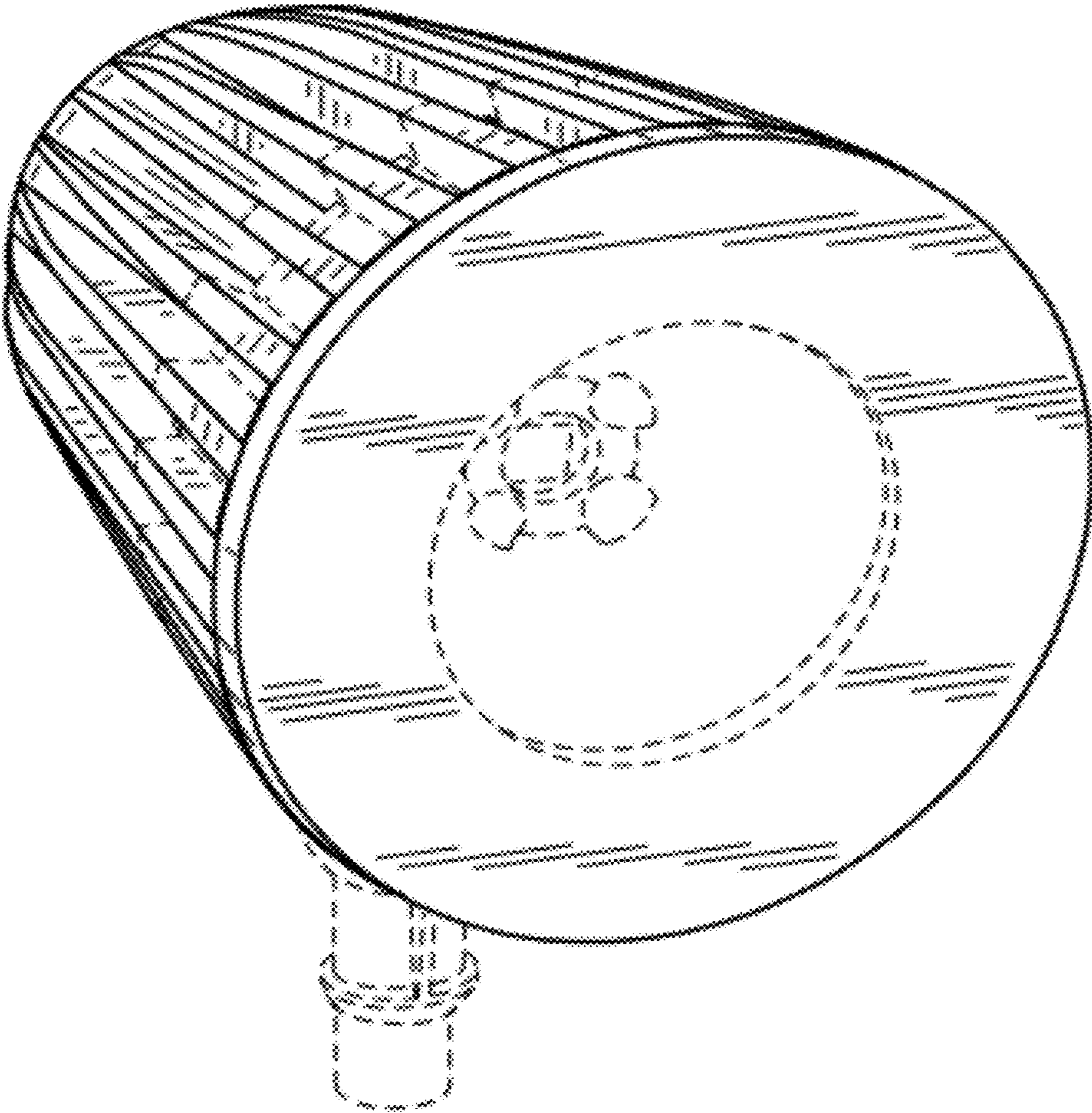


FIG. 1

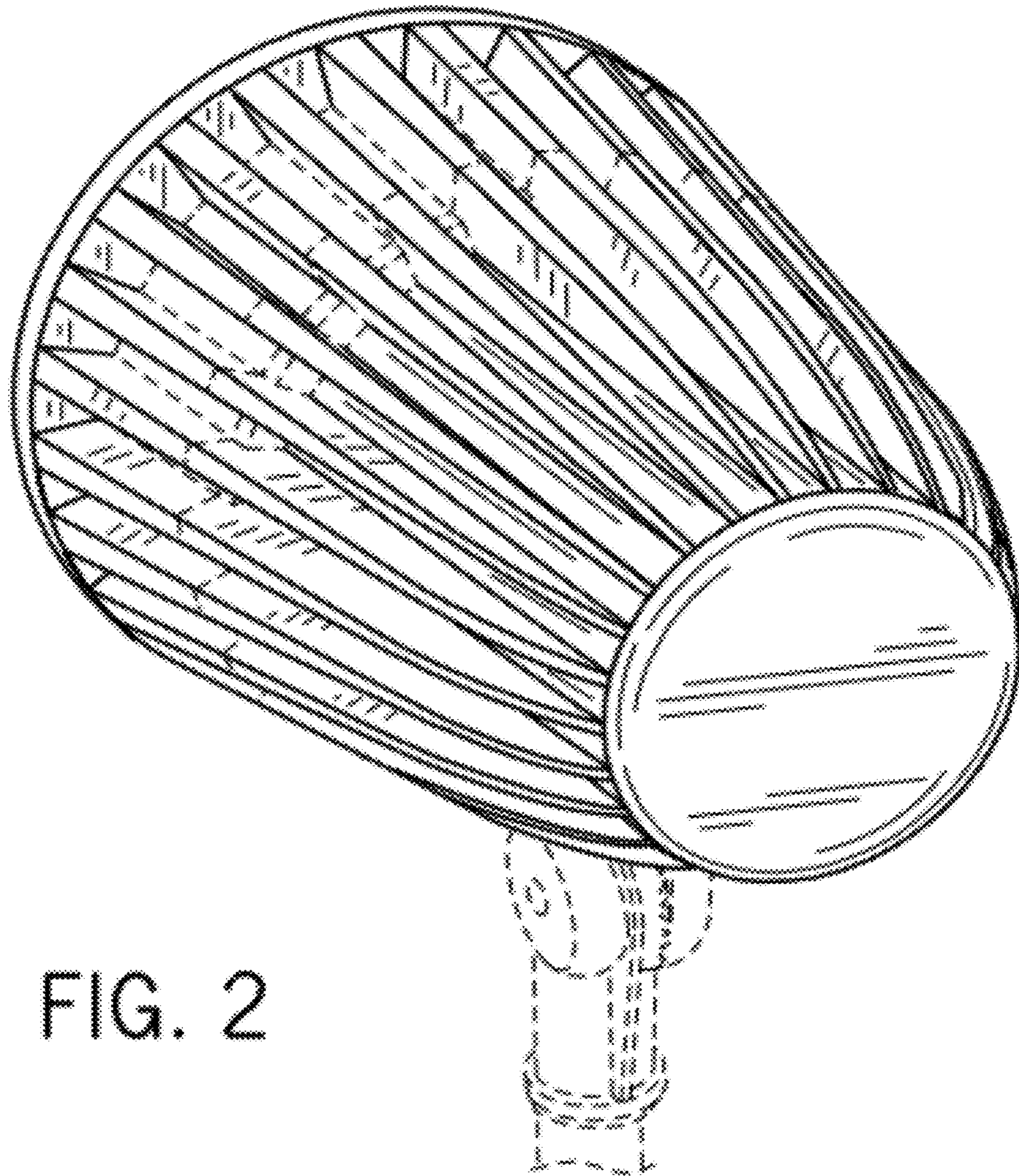


FIG. 2

FIG. 3

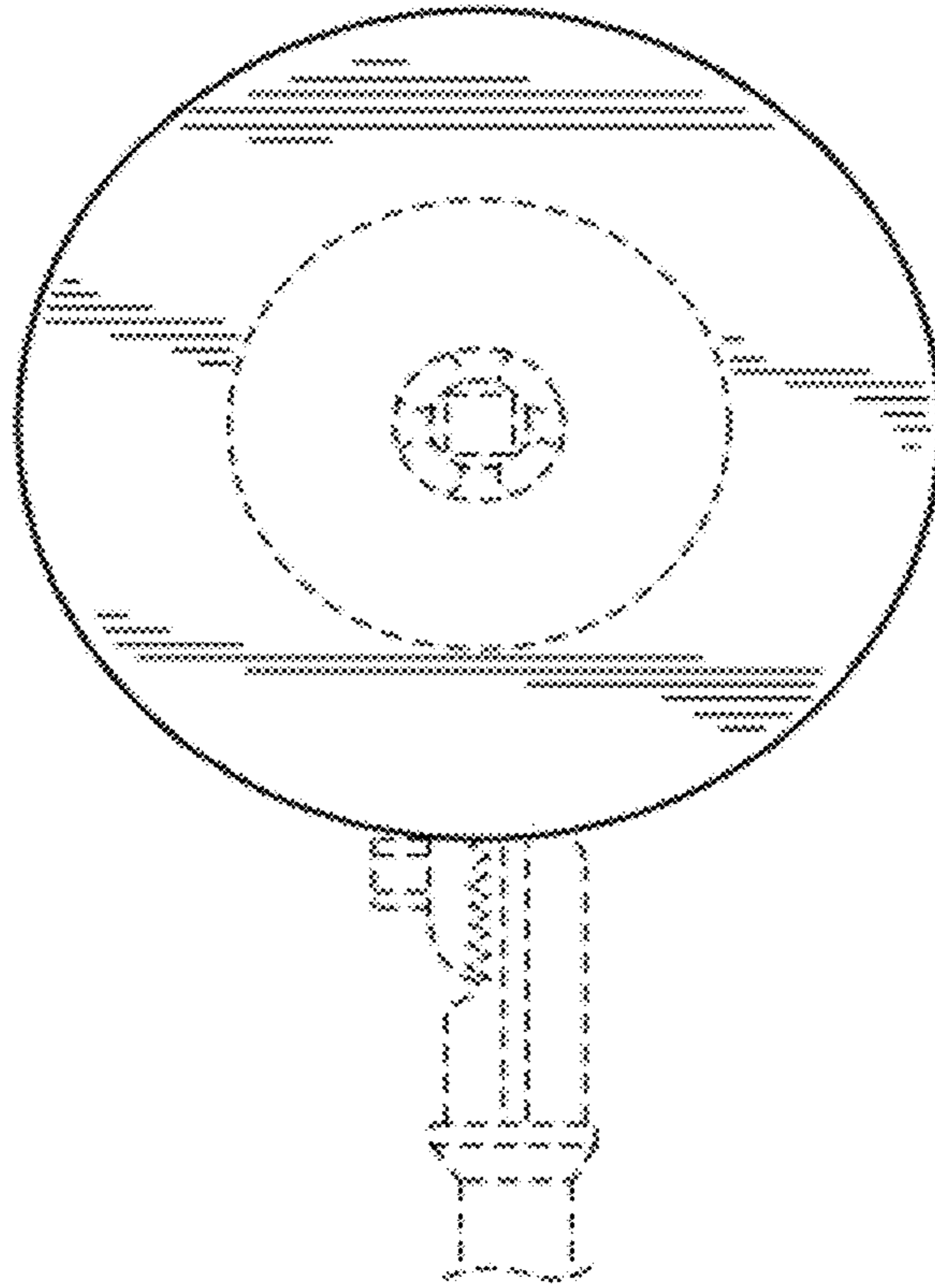


FIG. 4

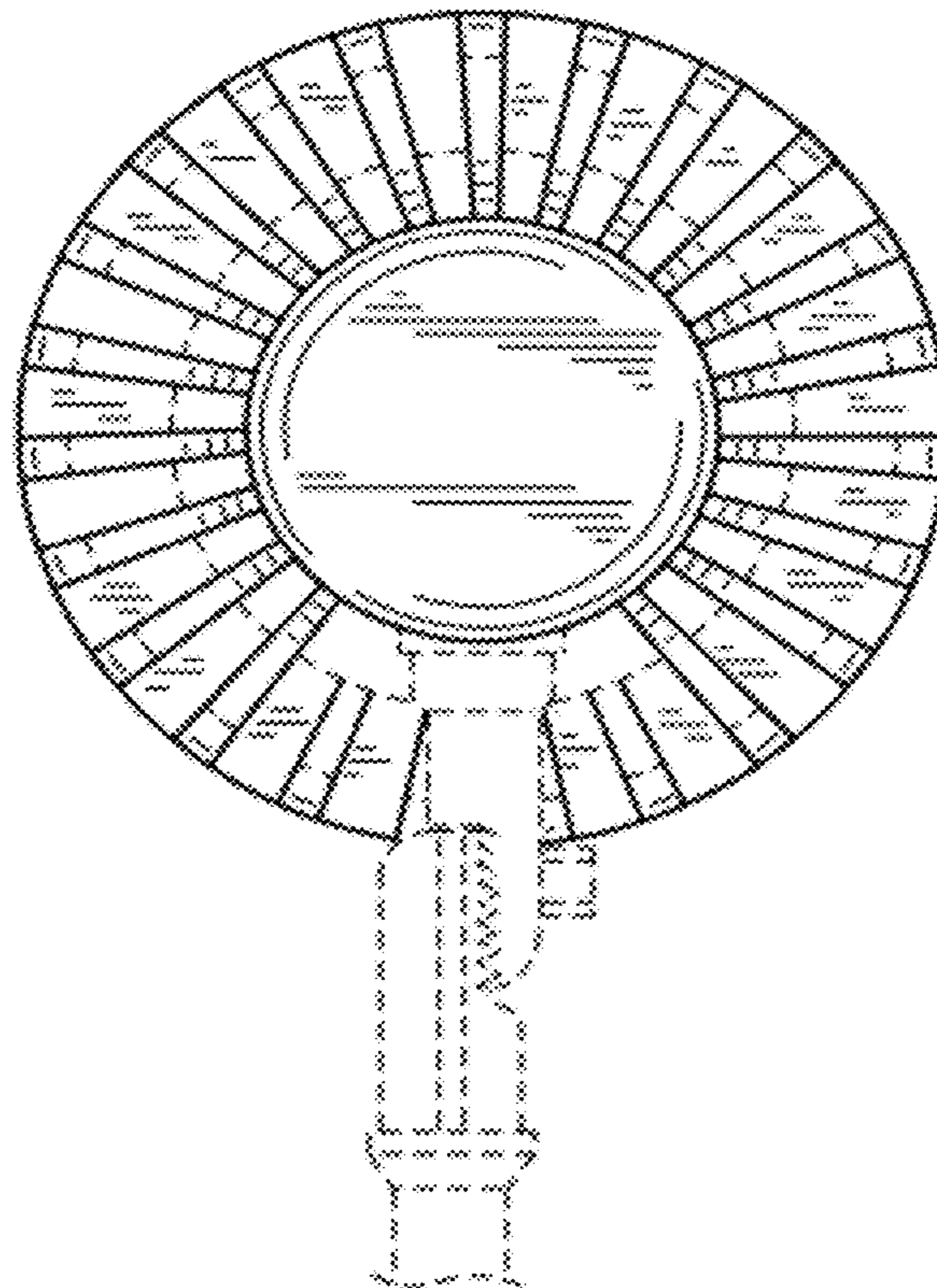


FIG. 5

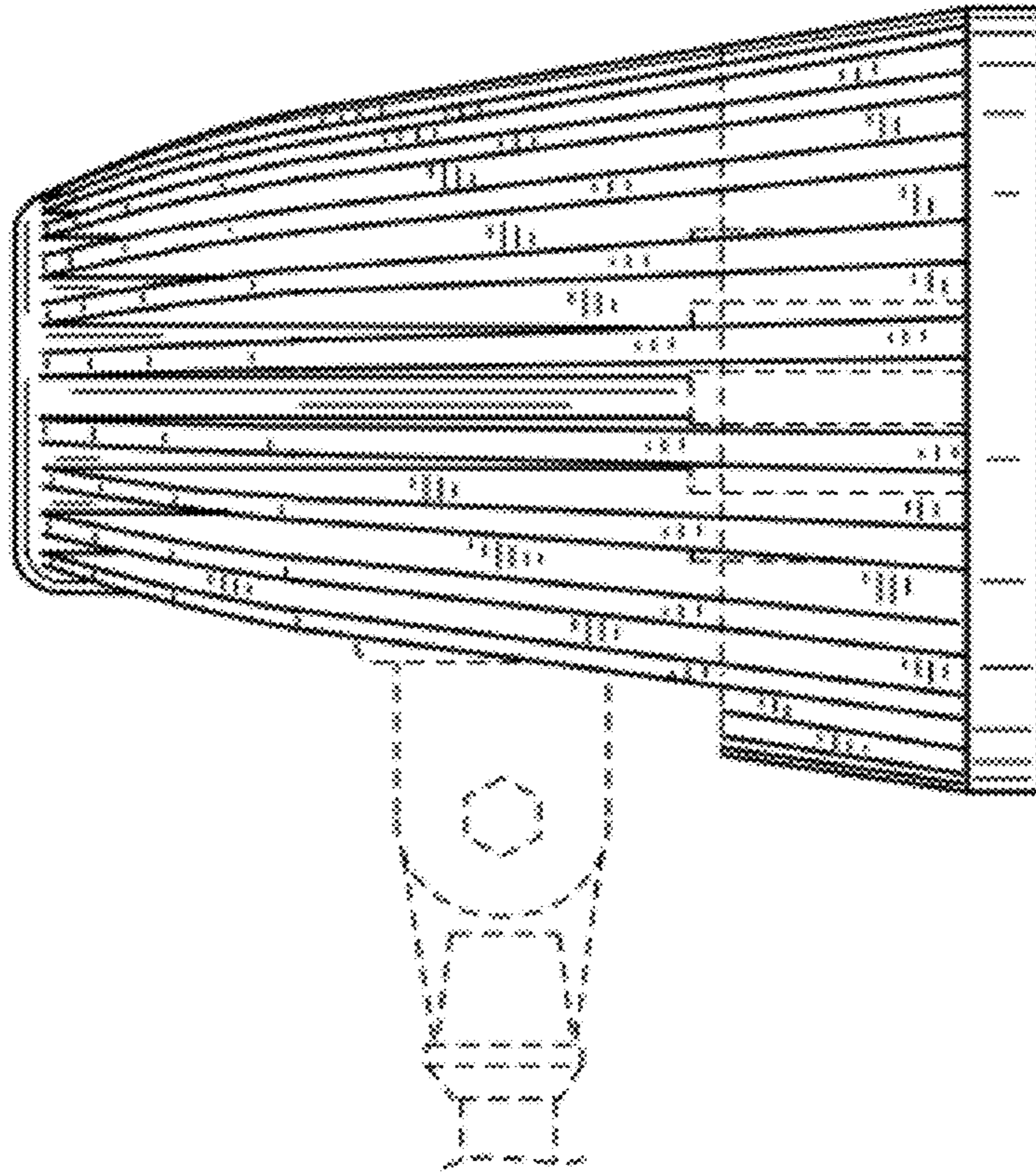
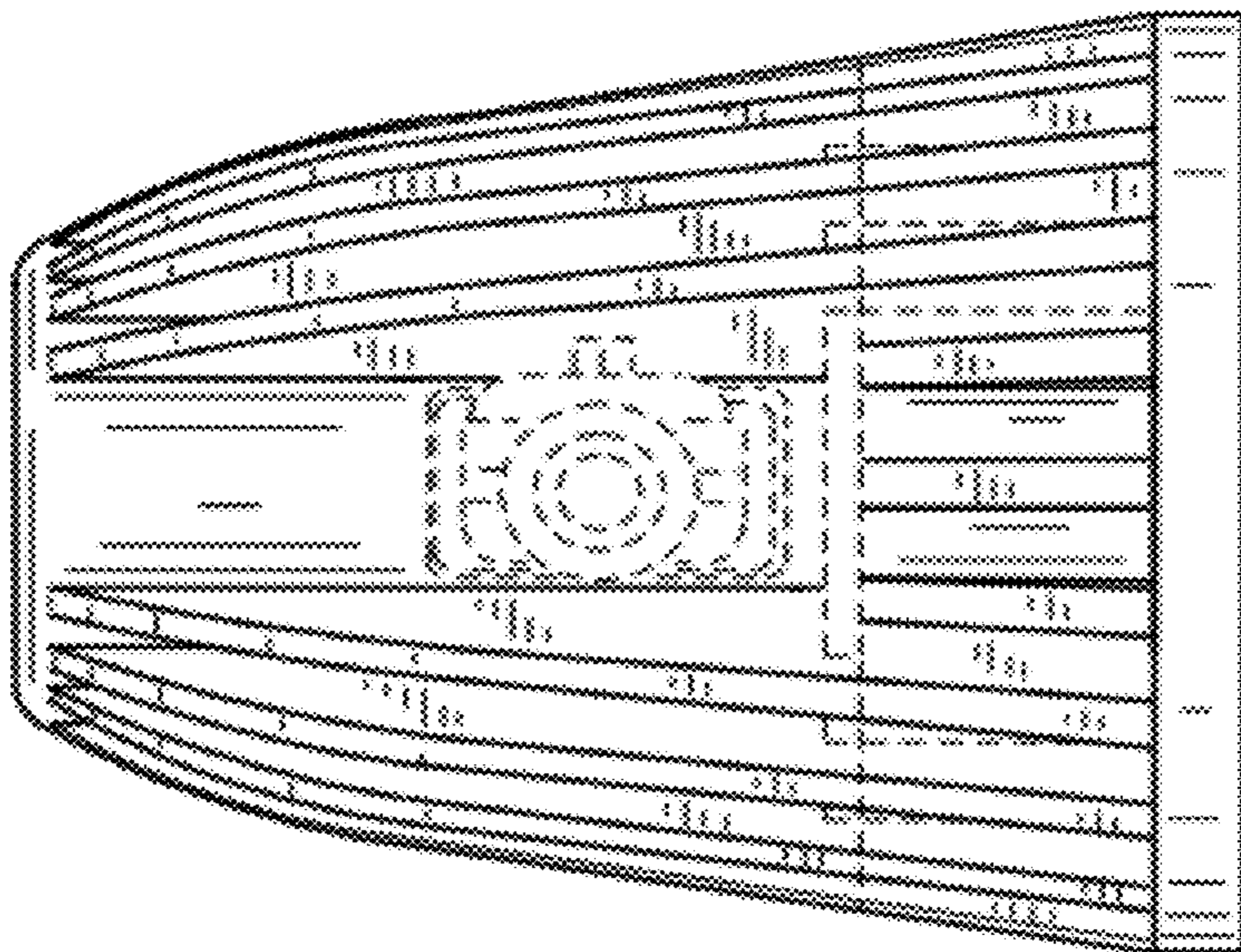


FIG. 6



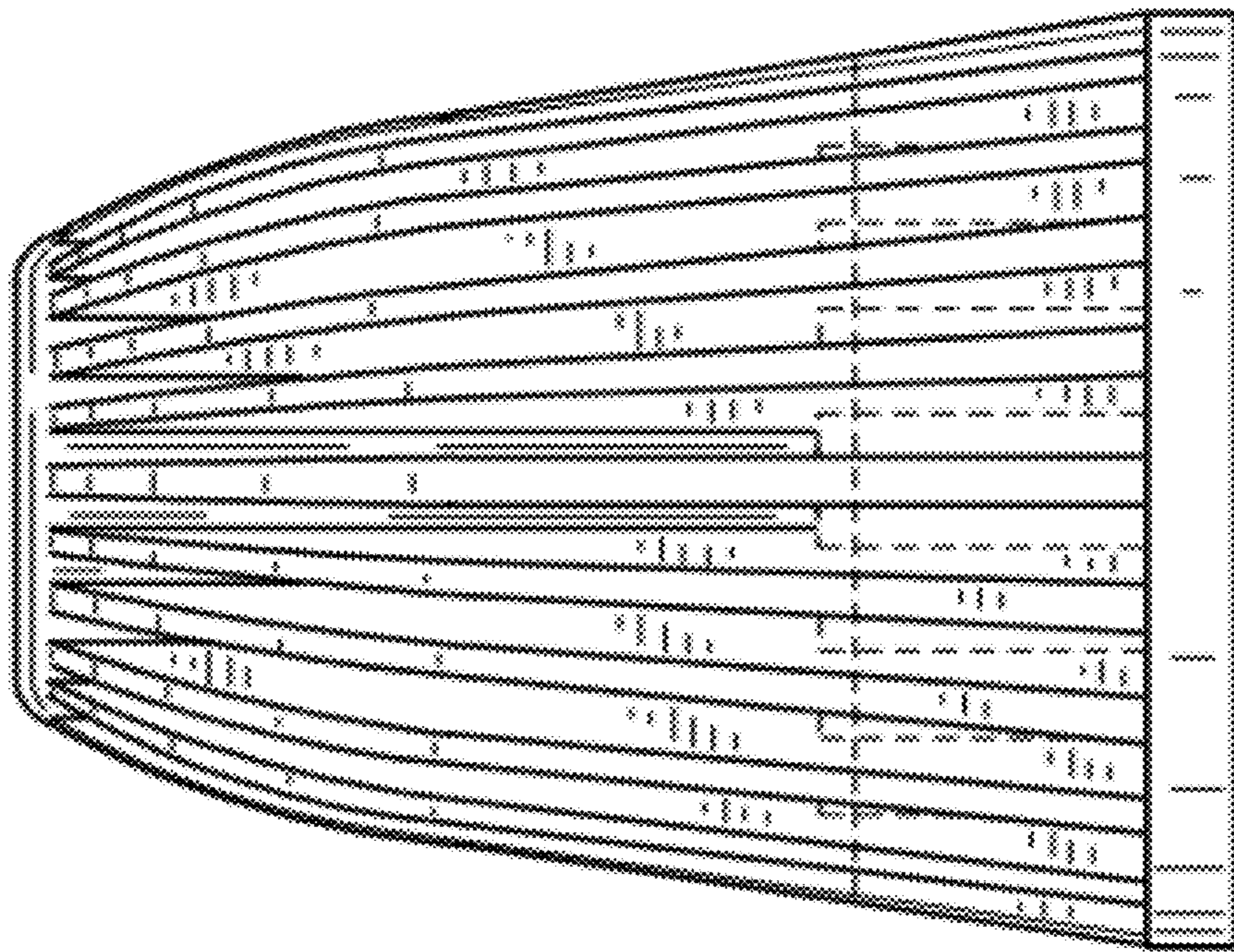


FIG. 7