



US00D672905S

(12) **United States Design Patent**  
**Kong**

(10) **Patent No.:** **US D672,905 S**  
(45) **Date of Patent:** **\*\* Dec. 18, 2012**

(54) **LED LAMP**

(75) Inventor: **Kyung-II Kong**, Seoul (KR)

(73) Assignee: **LG Innotek Co., Ltd.**, Seoul (KR)

(\*\*) Term: **14 Years**

(21) Appl. No.: **29/376,785**

(22) Filed: **Oct. 12, 2010**

(30) **Foreign Application Priority Data**

Apr. 10, 2010	(KR)	.....	30-2010-0015900
Apr. 10, 2010	(KR)	.....	30-2010-0015901
Apr. 10, 2010	(KR)	.....	30-2010-0015902
Apr. 10, 2010	(KR)	.....	30-2010-0015903
Apr. 10, 2010	(KR)	.....	30-2010-0015904

(51) **LOC (9) Cl.** ..... **26-99**

(52) **U.S. Cl.** ..... **D26/113**

(58) **Field of Classification Search** ..... 248/343;  
D13/179, 180, 134, 146; 361/697; 362/218,  
362/223, 260, 346, 364, 362, 382, 147, 547,  
362/150, 219, 220, 224, 247, 354, 555, 343,  
362/511; D24/210; D23/328; D26/118,  
D26/120, 113, 119, 121, 122, 123, 124, 125,  
D26/126, 128, 129, 130, 131, 132, 135, 138,  
D26/140, 141, 142, 152, 24, 25, 59, 60, 61,  
D26/72, 74, 75, 76, 77, 78, 88, 85, 87, 89,  
D26/90, 91, 153, 154, 155, 143, 144, 145,  
D26/71, 67, 65, 64, 1, 2, 3

See application file for complete search history.

(56) **References Cited**

**U.S. PATENT DOCUMENTS**

D285,357 S \* 8/1986 Pritchett ..... D26/61

(Continued)

*Primary Examiner* — Kevin Rudzinski

(74) *Attorney, Agent, or Firm* — KED & Associates LLP

(57) **CLAIM**

The ornamental design for a LED lamp, as shown and described.

**DESCRIPTION**

FIG. 1 is a front perspective view of a LED lamp according to an embodiment;

FIG. 2 is a front view of the LED lamp of FIG. 1;

FIG. 3 is a rear view of the LED lamp of FIG. 1;

FIG. 4 is a left side view of the LED lamp of FIG. 1;

FIG. 5 is a right side view of the LED lamp of FIG. 1;

FIG. 6 is a top view of the LED lamp of FIG. 1;

FIG. 7 is a bottom view of the LED lamp of FIG. 1;

FIG. 8 is a bottom perspective view of the LED lamp of FIG. 1 shown in use with the light emitting part in diagonal dash-dot lines, light from LEDs inside being reflected downward by the reflector;

FIG. 9 is a front perspective view of a LED lamp according to another embodiment;

FIG. 10 is a front view of the LED lamp of FIG. 9;

FIG. 11 is a rear view of the LED lamp of FIG. 9;

FIG. 12 is a left side view of the LED lamp of FIG. 9;

FIG. 13 is a right side view of the LED lamp of FIG. 9;

FIG. 14 is a top view of the LED lamp of FIG. 9;

FIG. 15 is a bottom view of the LED lamp of FIG. 9;

FIG. 16 is a bottom perspective view of the LED lamp of FIG. 9 shown in use with the light emitting part in diagonal dash-dot lines, light from LEDs inside being reflected downward by the reflector;

FIG. 17 is a front perspective view of a LED lamp according to another embodiment;

FIG. 18 is a front view of the LED lamp of FIG. 17;

FIG. 19 is a rear view of the LED lamp of FIG. 17;

FIG. 20 is a left side view of the LED lamp of FIG. 17;

FIG. 21 is a right side view of the LED lamp of FIG. 17;

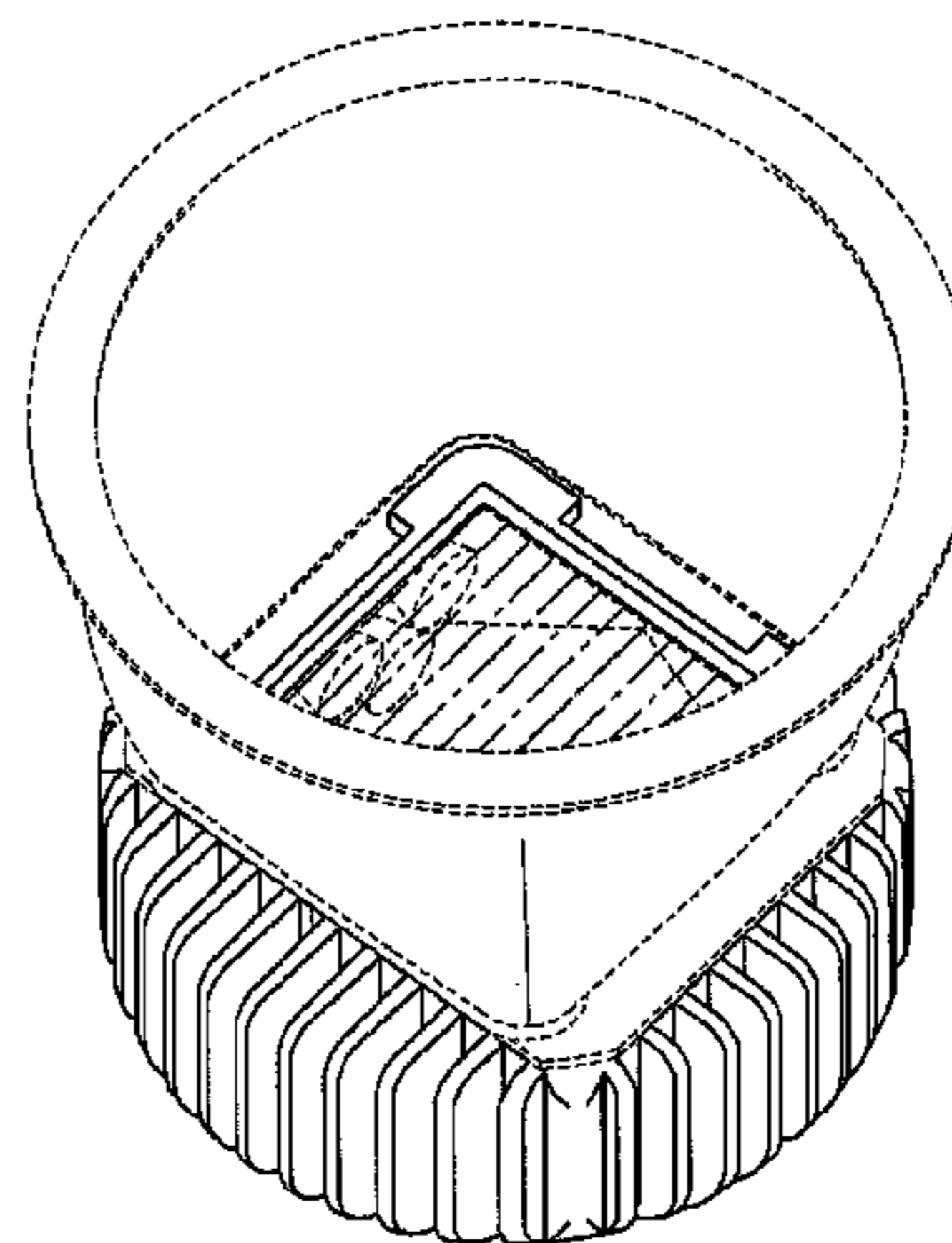
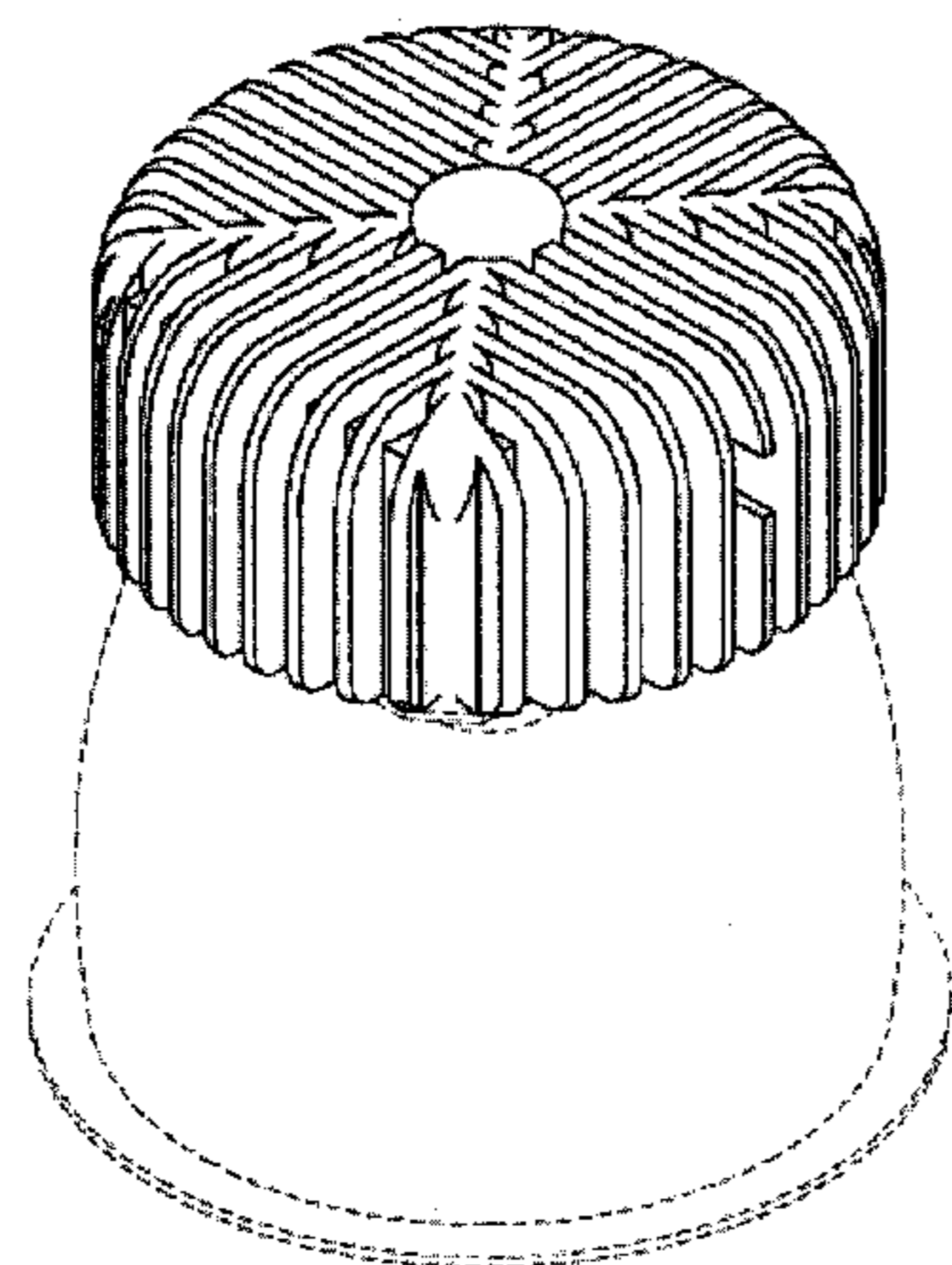
FIG. 22 is a top view of the LED lamp of FIG. 17;

FIG. 23 is a bottom view of the LED lamp of FIG. 17; and,

FIG. 24 is a bottom perspective view of the LED lamp of FIG. 17 shown in use with the light emitting part in diagonal dash-dot lines, light from LEDs inside being reflected downward by the reflector.

The broken lines shown in the drawings illustrating unclaimed environmental structures form no part of the claimed design. The dash-dot lines shown in FIGS. 8, 16, and 24 to illustrate the light emitting part of the LED lamp form no part of the claimed design.

**1 Claim, 12 Drawing Sheets**



# US D672,905 S

Page 2

## U.S. PATENT DOCUMENTS

D324,924	S *	3/1992	Bengochea	.....	D26/88	7,611,264	B1 *	11/2009	Chang et al.	.....	362/249.02
D377,104	S *	12/1996	Roberts	.....	D26/24	D610,289	S *	2/2010	Yoshinobu et al.	.....	D26/74
D427,946	S *	7/2000	Kuo-An	.....	D12/114	D611,650	S *	3/2010	Broekhoff	.....	D26/134
D442,565	S *	5/2001	Chou et al.	.....	D13/179	7,682,050	B2 *	3/2010	Xiang et al.	.....	362/294
6,253,452	B1 *	7/2001	Chen et al.	.....	29/890.05	7,726,846	B2 *	6/2010	Yang et al.	.....	362/294
6,375,338	B1 *	4/2002	Cummings et al.	.....	362/276	D621,970	S *	8/2010	Yamamoto et al.	.....	D26/2
D464,939	S *	10/2002	Chuang et al.	.....	D13/179	D625,038	S *	10/2010	Yoo	.....	D26/85
6,543,522	B1 *	4/2003	Hegde	.....	165/80.3	D625,876	S *	10/2010	Chen et al.	.....	D26/74
D481,688	S *	11/2003	Lee et al.	.....	D13/179	7,806,575	B2 *	10/2010	Willwohl et al.	.....	362/547
D482,485	S *	11/2003	Benghozi	.....	D26/85	7,810,957	B2 *	10/2010	Zeng et al.	.....	362/294
D484,270	S *	12/2003	Yiu	.....	D26/89	D627,507	S *	11/2010	Lai et al.	.....	D26/138
D486,940	S *	2/2004	Yiu	.....	D26/138	D629,151	S *	12/2010	Zaderej et al.	.....	D26/118
D487,816	S *	3/2004	Benghozi	.....	D26/118	7,845,393	B2 *	12/2010	Kao et al.	.....	165/80.3
D487,817	S *	3/2004	Benghozi	.....	D26/118	D632,839	S *	2/2011	Kim et al.	.....	D26/138
D497,447	S *	10/2004	Yoneda	.....	D26/72	D633,235	S *	2/2011	Zheng	.....	D26/24
D500,745	S *	1/2005	Duan et al.	.....	D13/179	7,888,851	B2 *	2/2011	Yang et al.	.....	313/46
D539,464	S *	3/2007	Dworschak	.....	D26/92	D634,885	S *	3/2011	Kim et al.	.....	D26/138
D561,917	S *	2/2008	Tsao	.....	D26/2	D634,886	S *	3/2011	Kim	.....	D26/138
D561,924	S *	2/2008	Yiu	.....	D26/72	D636,116	S *	4/2011	Kim et al.	.....	D26/138
D562,492	S *	2/2008	Chen	.....	D26/85	D636,117	S *	4/2011	Kim et al.	.....	D26/138
D564,698	S *	3/2008	Homann	.....	D26/118	D636,118	S *	4/2011	Kim et al.	.....	D26/138
D566,323	S *	4/2008	Piepgras et al.	.....	D26/123	D639,488	S *	6/2011	Yoshida et al.	.....	D26/89
D570,034	S *	5/2008	Westerheide	.....	D26/118	D640,820	S *	6/2011	Hopper	.....	D26/74
D574,095	S *	7/2008	Hill et al.	.....	D26/26	D642,300	S *	7/2011	Leung	.....	D26/24
D578,694	S *	10/2008	Zeng et al.	.....	D26/70	D642,327	S *	7/2011	Fletcher et al.	.....	D26/138
D583,984	S *	12/2008	Takahashi et al.	.....	D26/89	D643,562	S *	8/2011	Mier-Langner et al.	.....	D26/74
D588,290	S *	3/2009	Coushaine et al.	.....	D26/28	2002/0182068	A1 *	12/2002	Liu	.....	415/176
D589,175	S *	3/2009	Xue	.....	D26/2	2005/0237746	A1 *	10/2005	Yiu	.....	362/294
D591,894	S *	5/2009	Flank	.....	D26/74	2007/0253202	A1 *	11/2007	Wu et al.	.....	362/294
D592,613	S *	5/2009	Plonski et al.	.....	D13/179	2009/0201683	A1 *	8/2009	Chuan	.....	362/294
7,532,472	B2 *	5/2009	Lin et al.	.....	361/697	2009/0237891	A1 *	9/2009	Liu et al.	.....	361/714
D593,963	S *	6/2009	Plonski et al.	.....	D13/179	2010/0148672	A1 *	6/2010	Hopper	.....	315/113
D596,330	S *	7/2009	Pickard et al.	.....	D26/74	2010/0259935	A1 *	10/2010	Scordino et al.	.....	362/294

\* cited by examiner

Figure 1

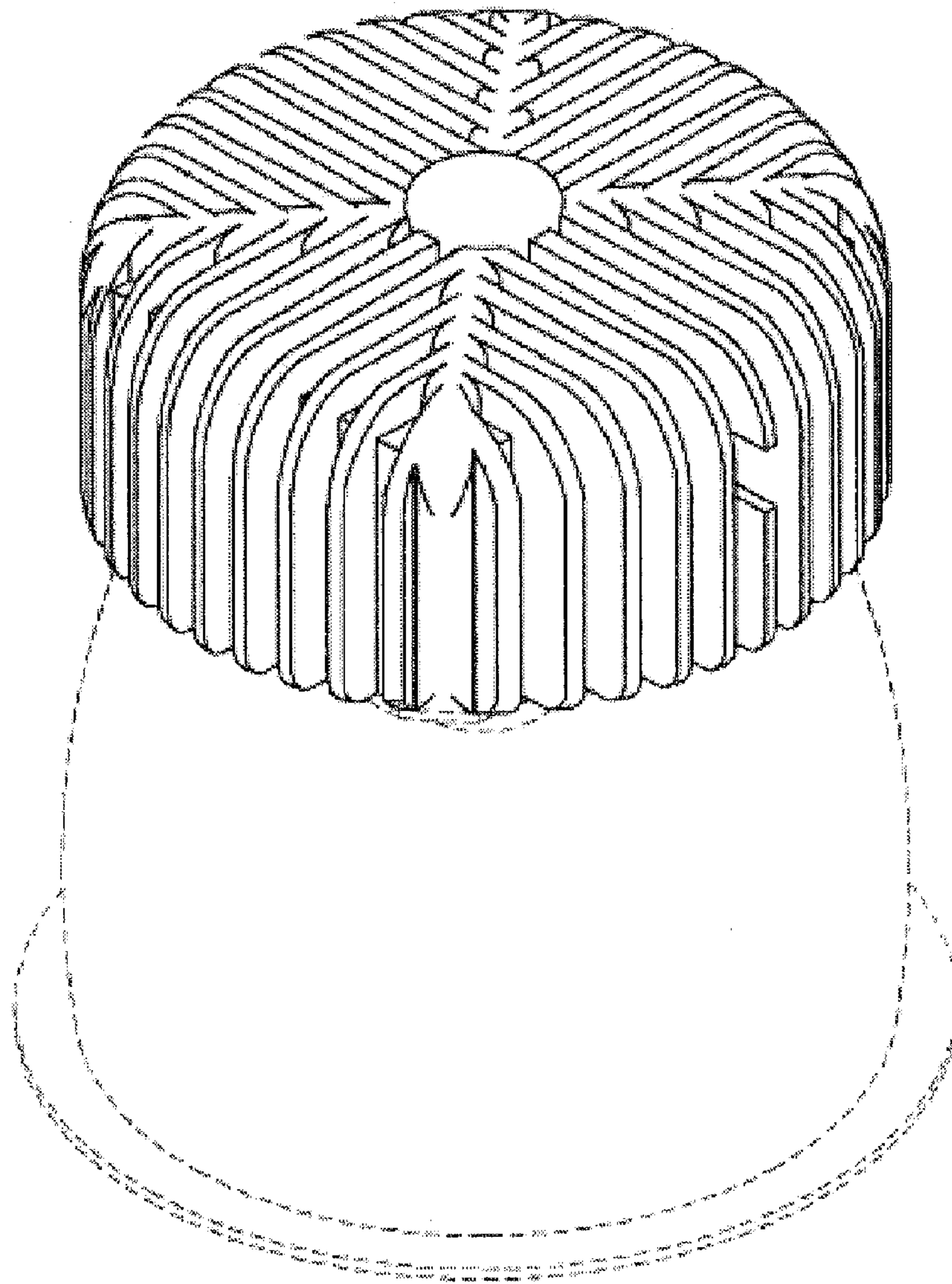


Figure 2

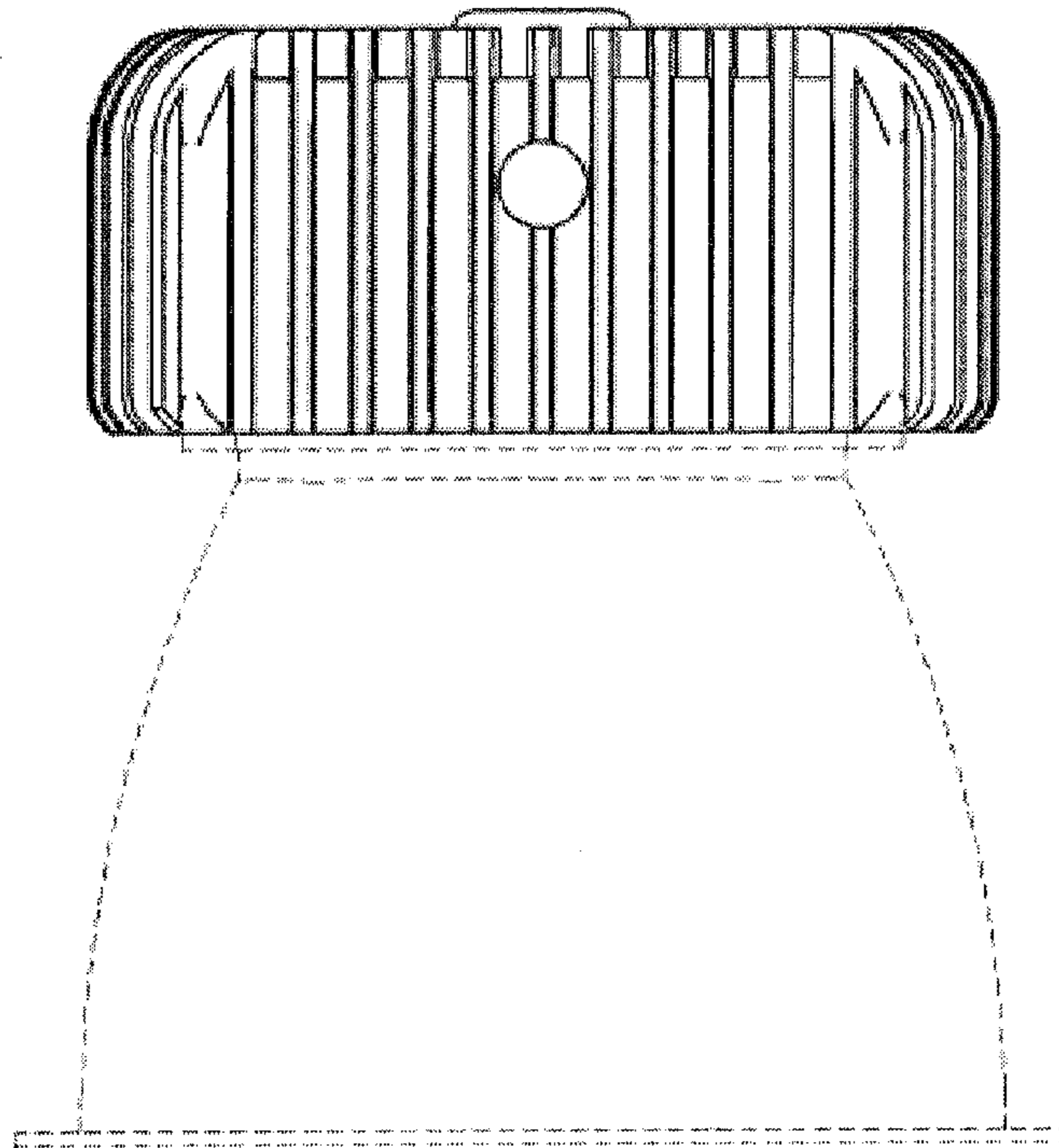


Figure 3

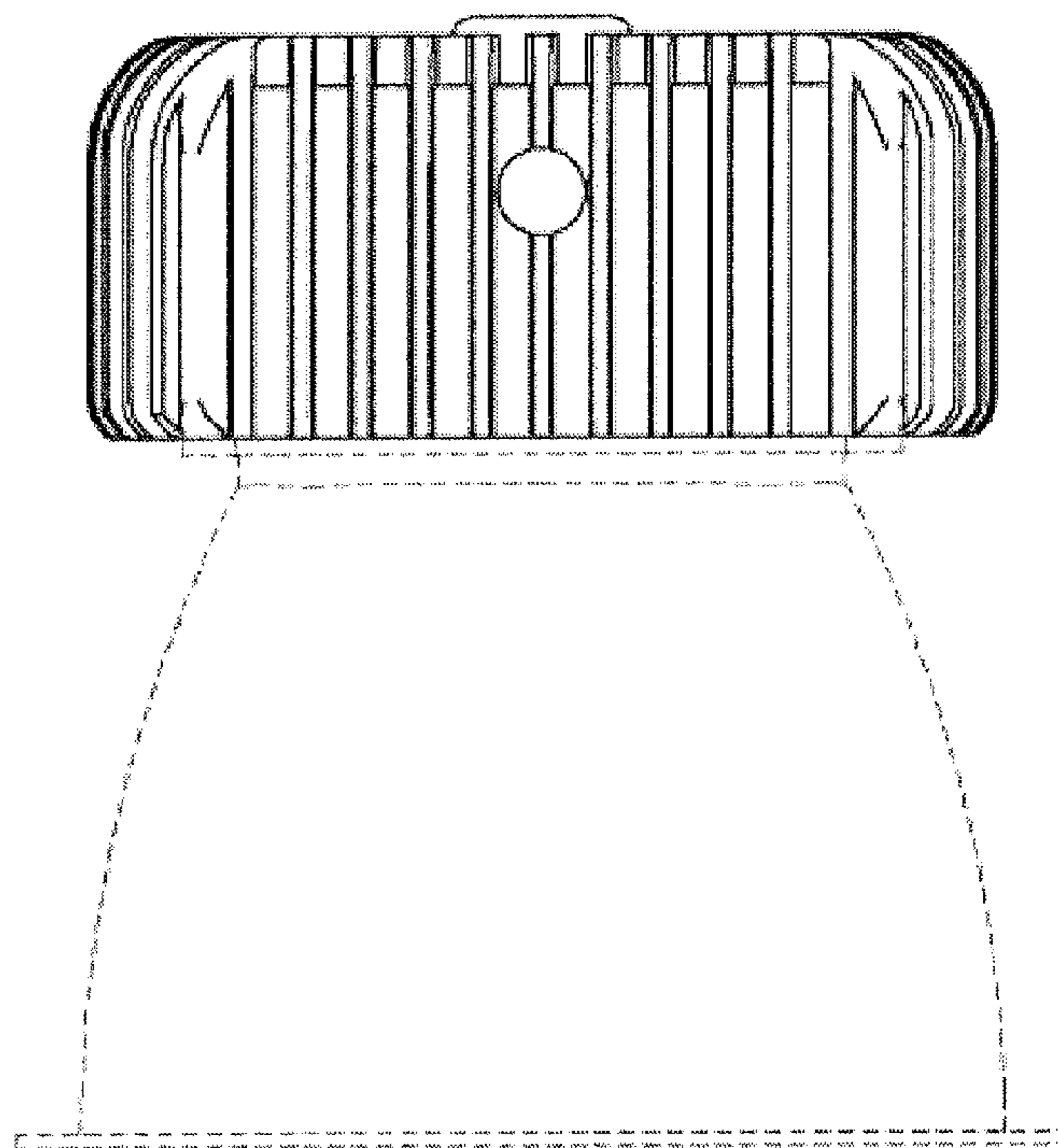


Figure 4

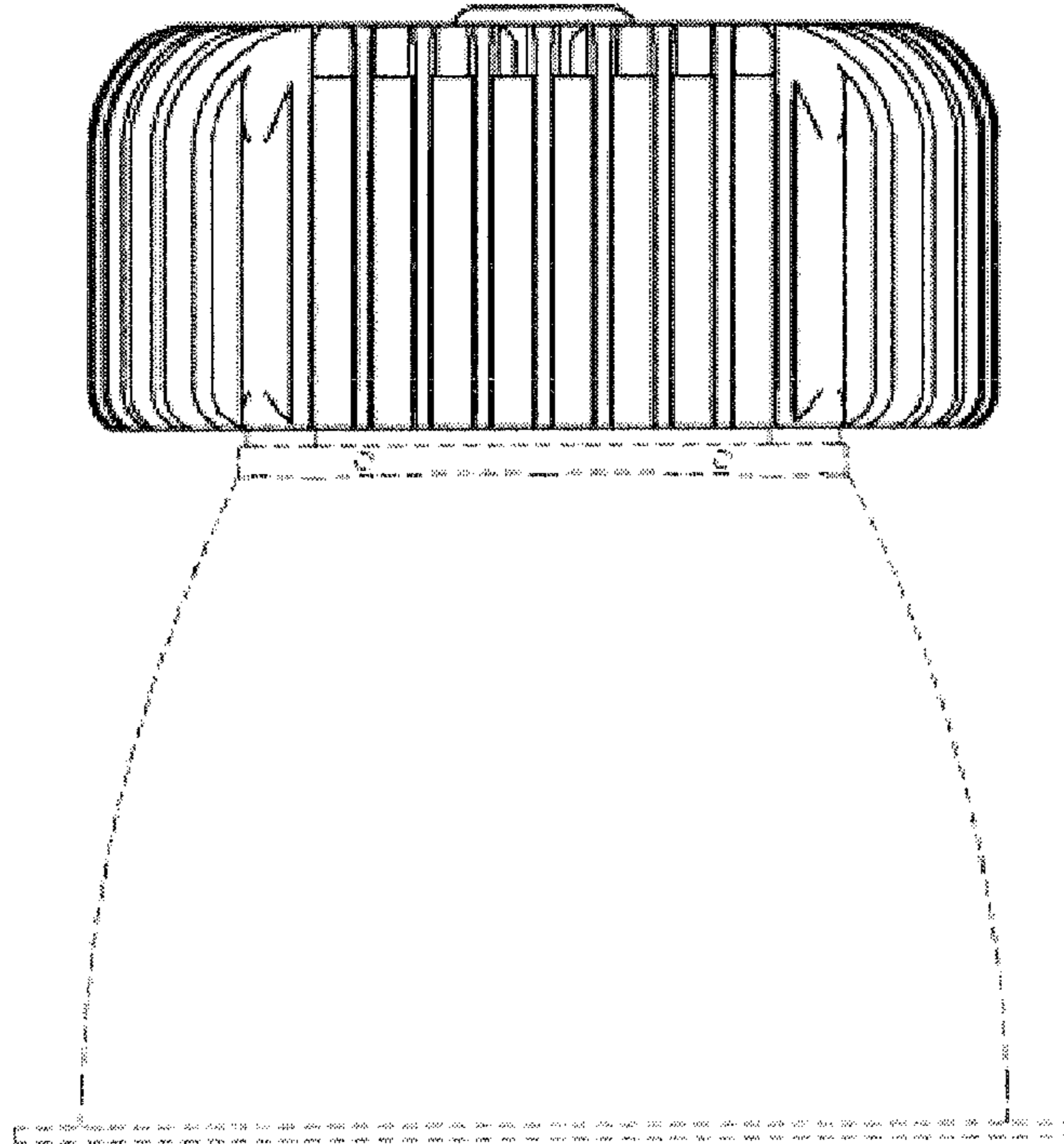


Figure 5

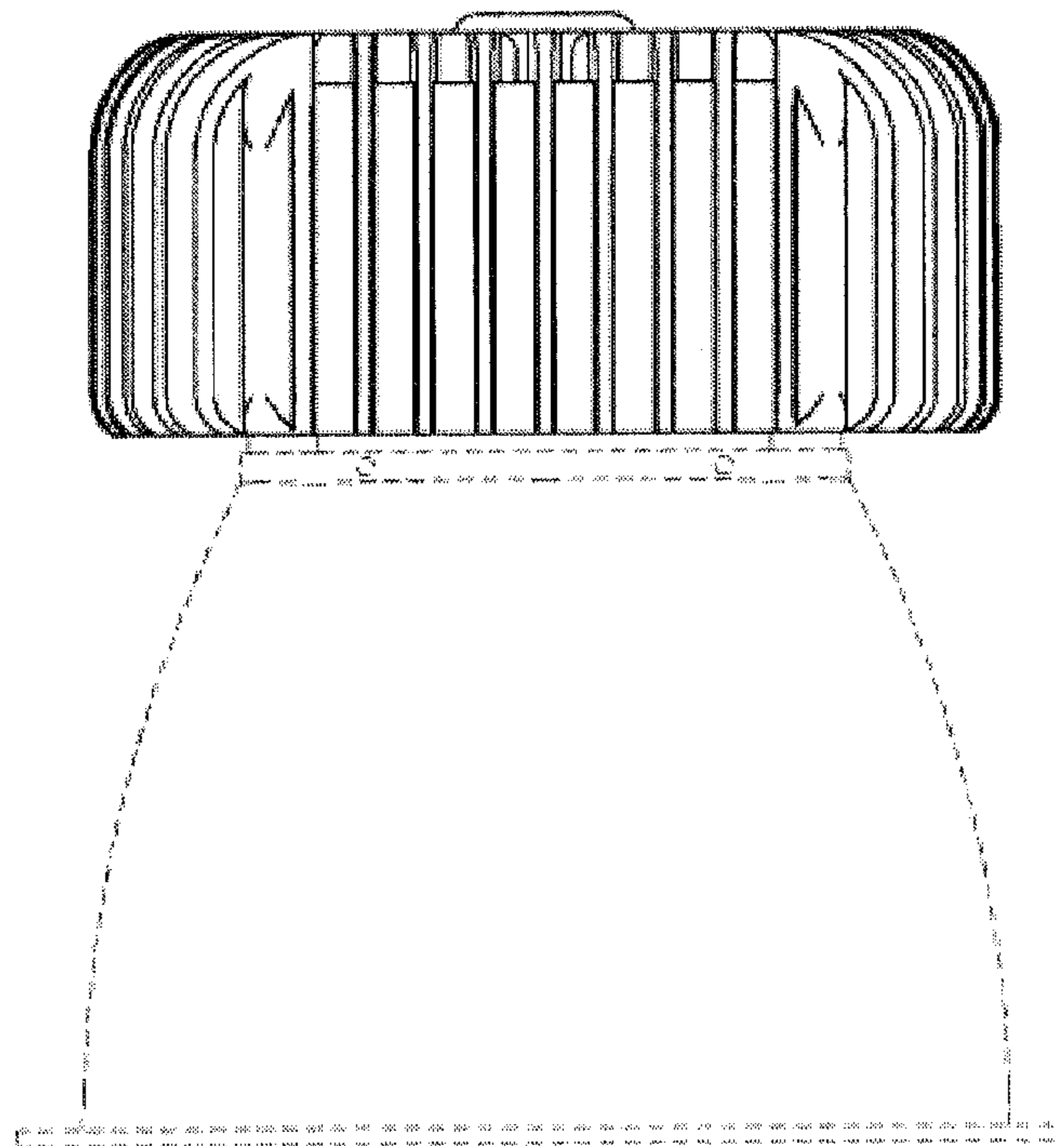


Figure 6

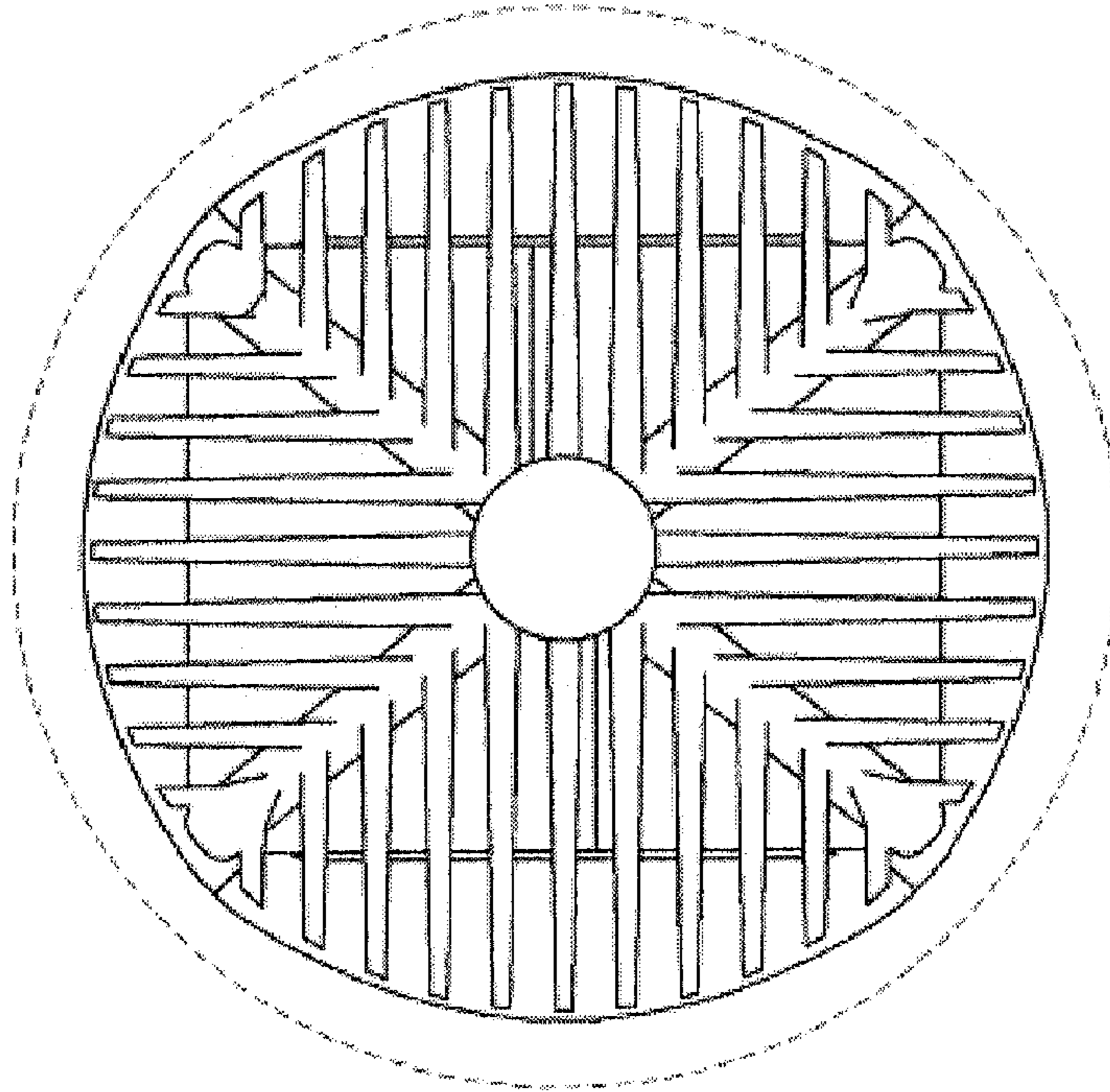


Figure 7

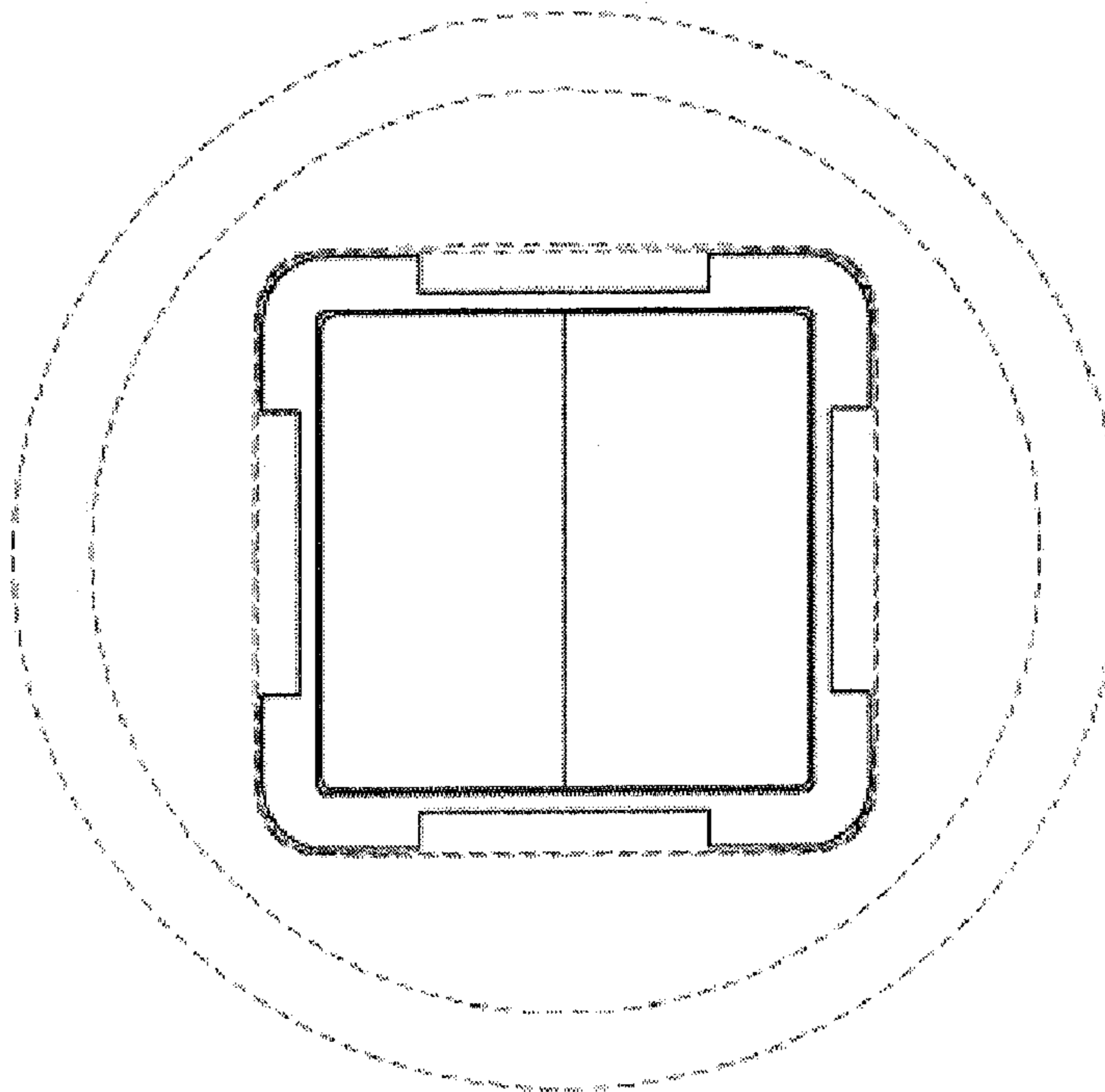


Figure 8

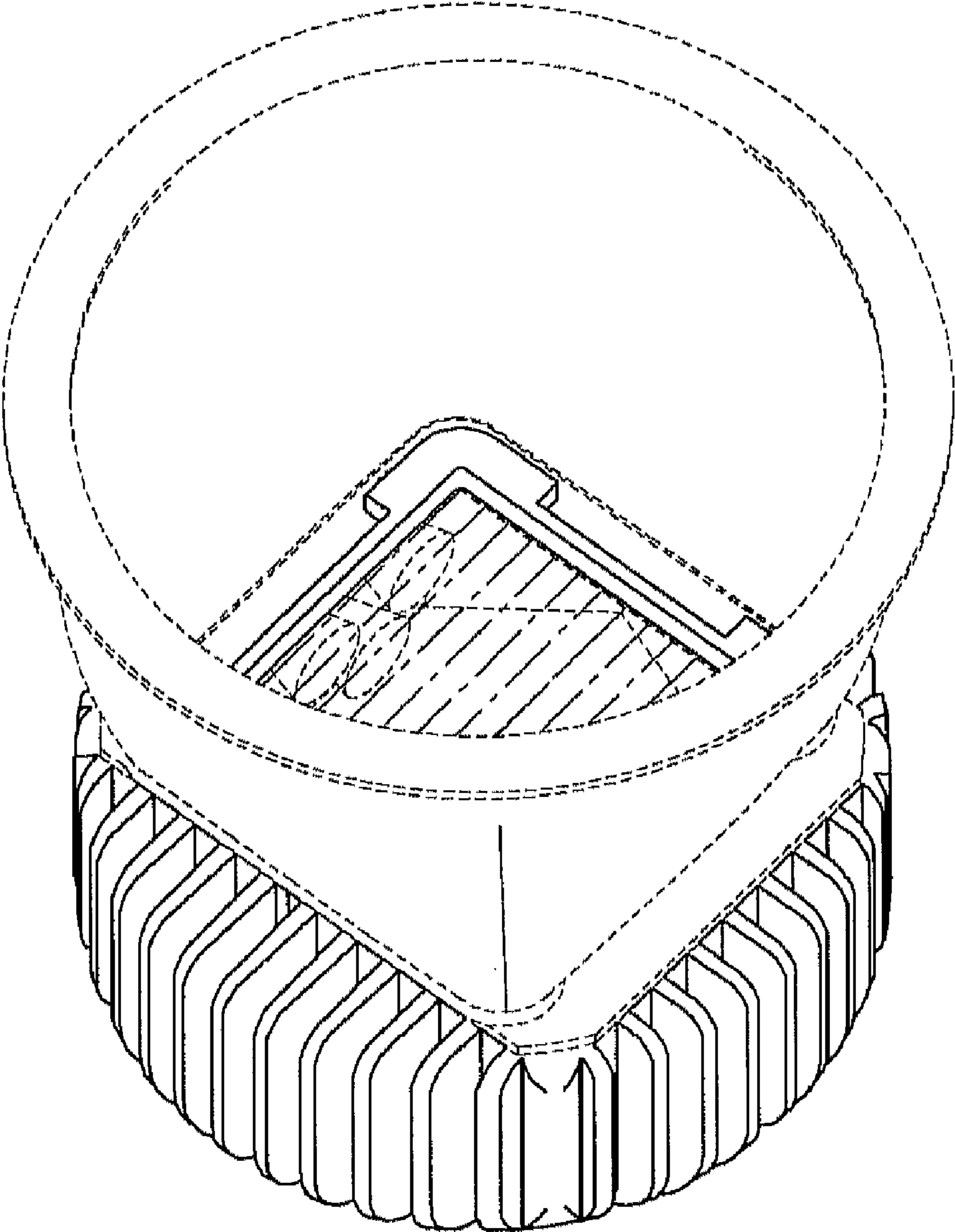


Figure 9

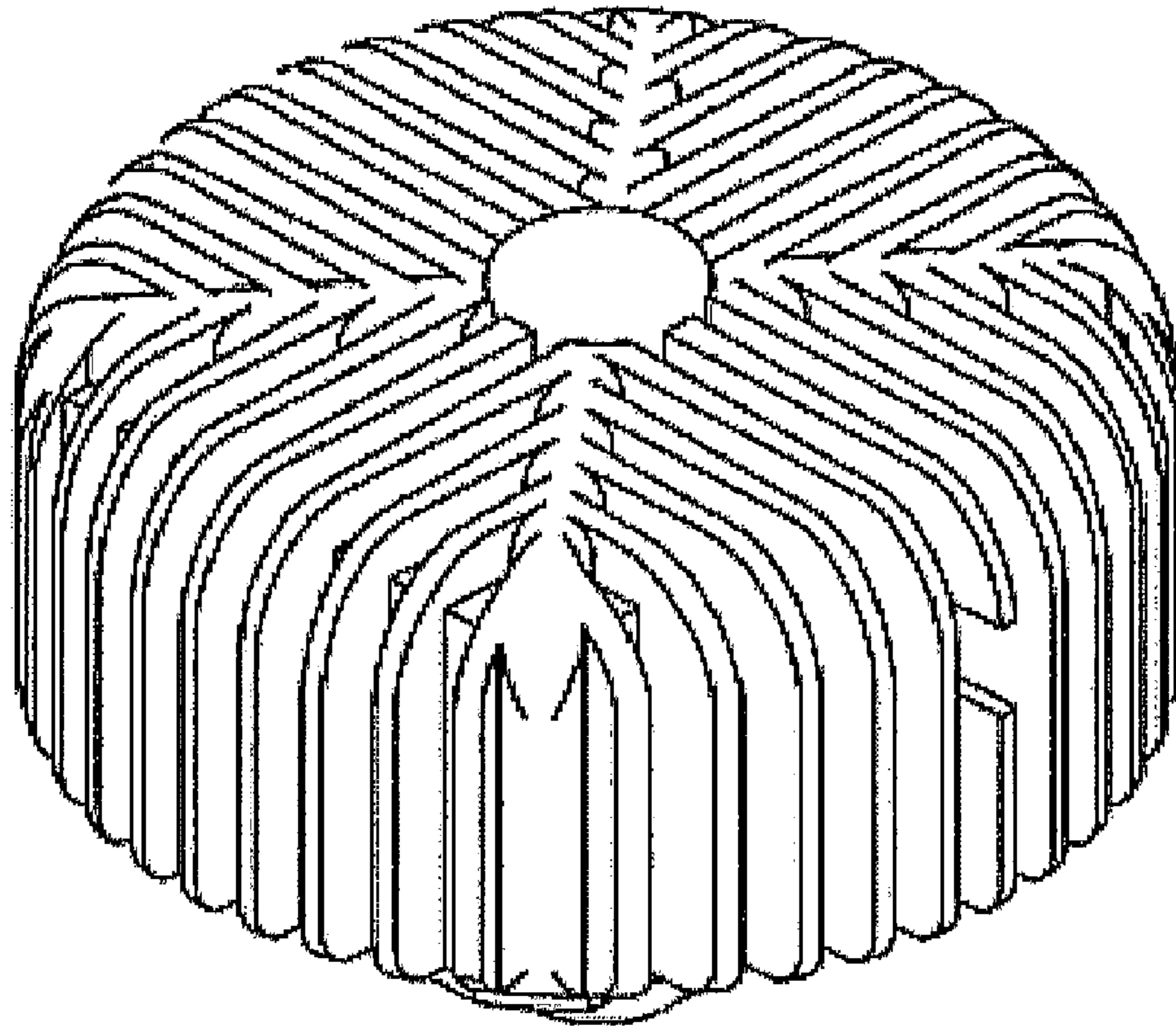




Figure 10

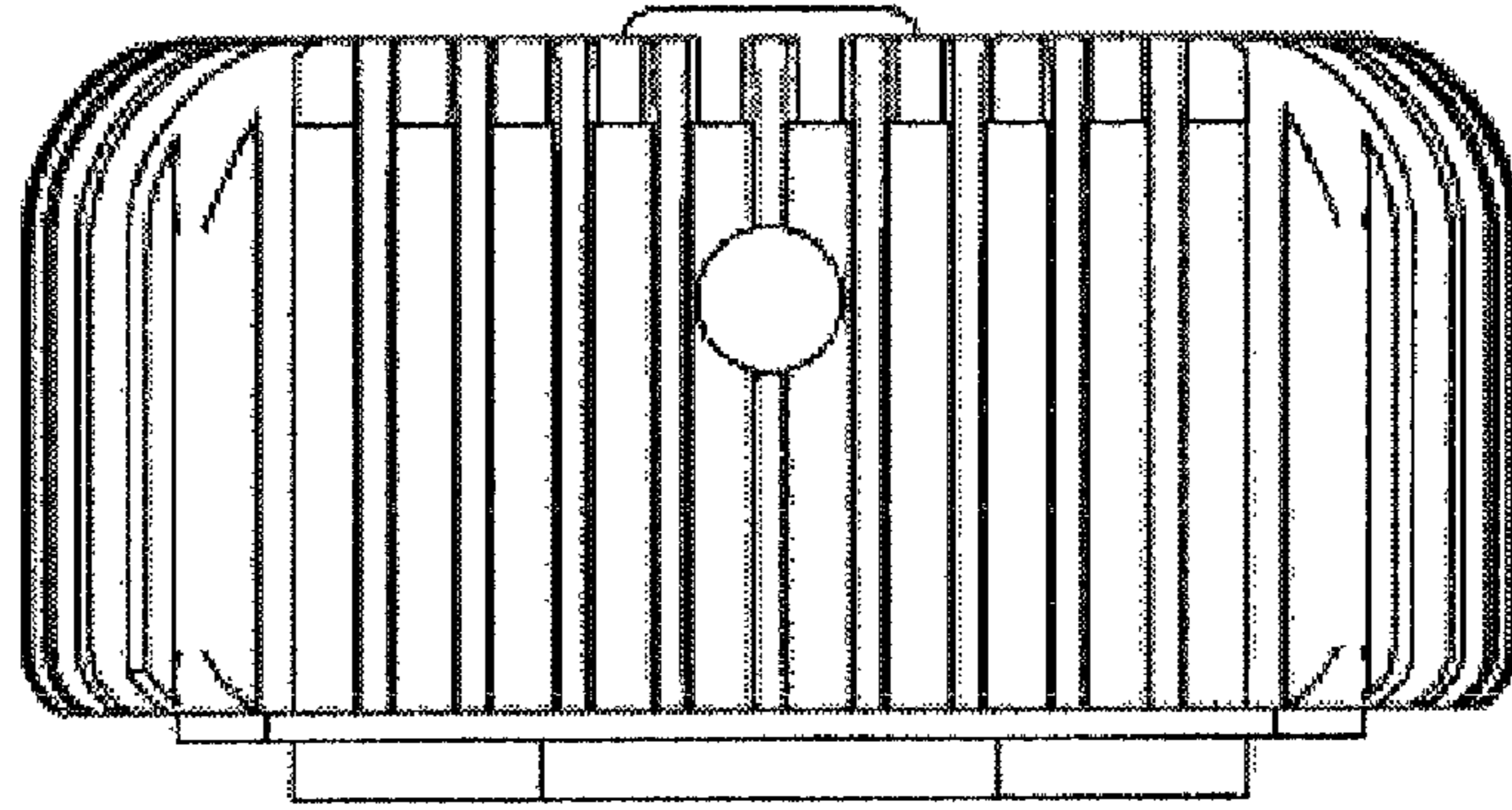


Figure 11

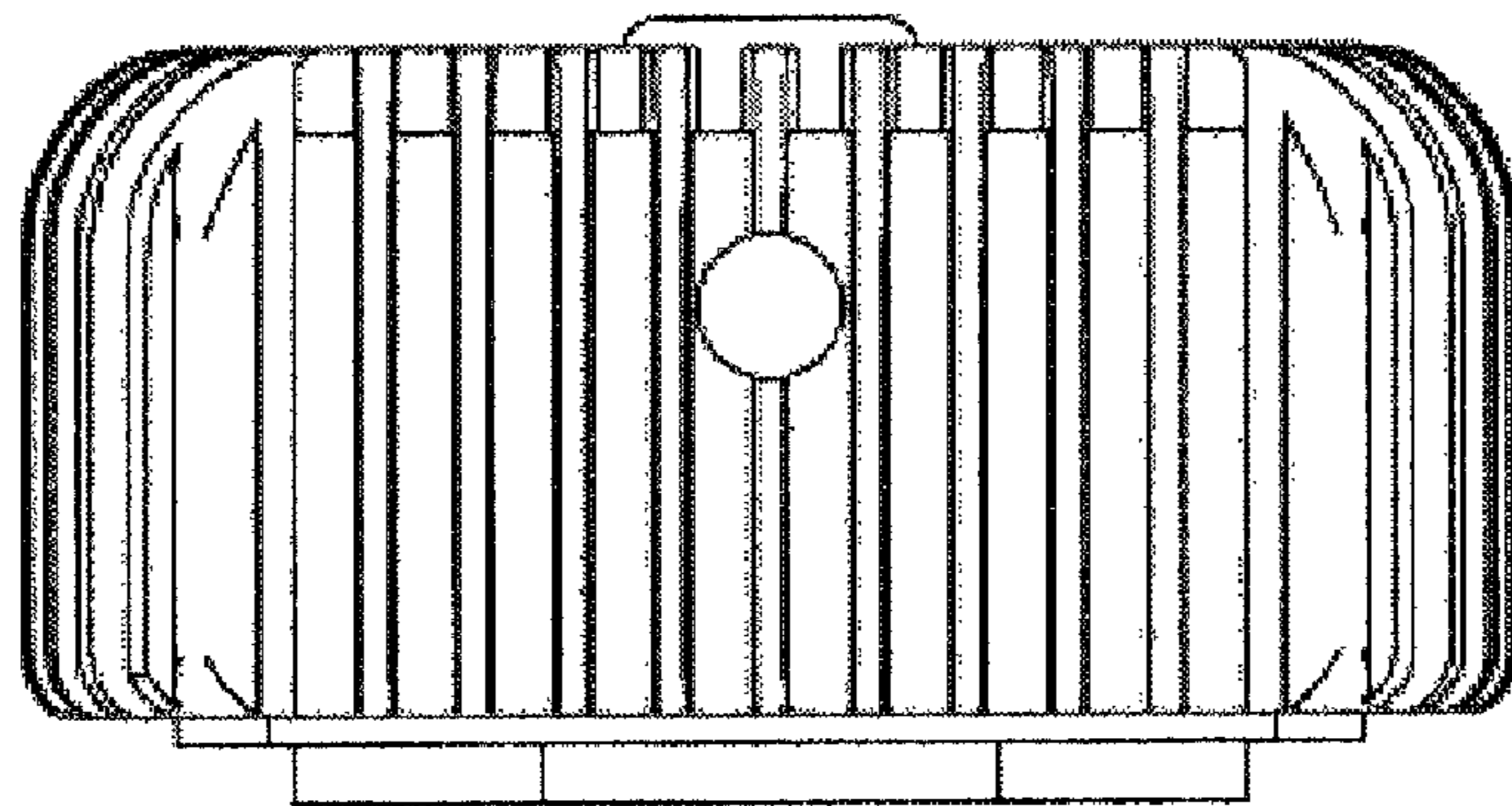


Figure 12

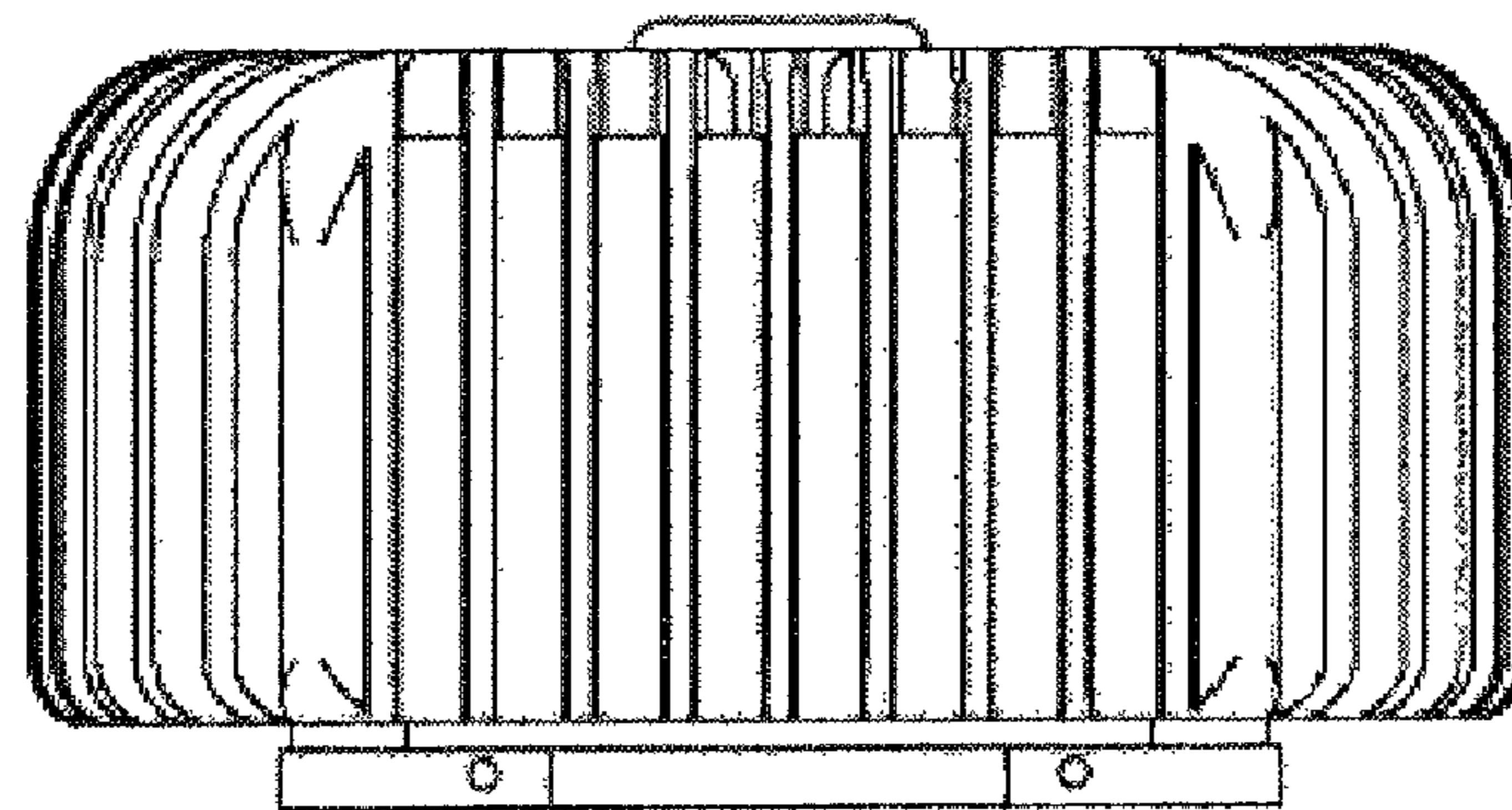


Figure 13

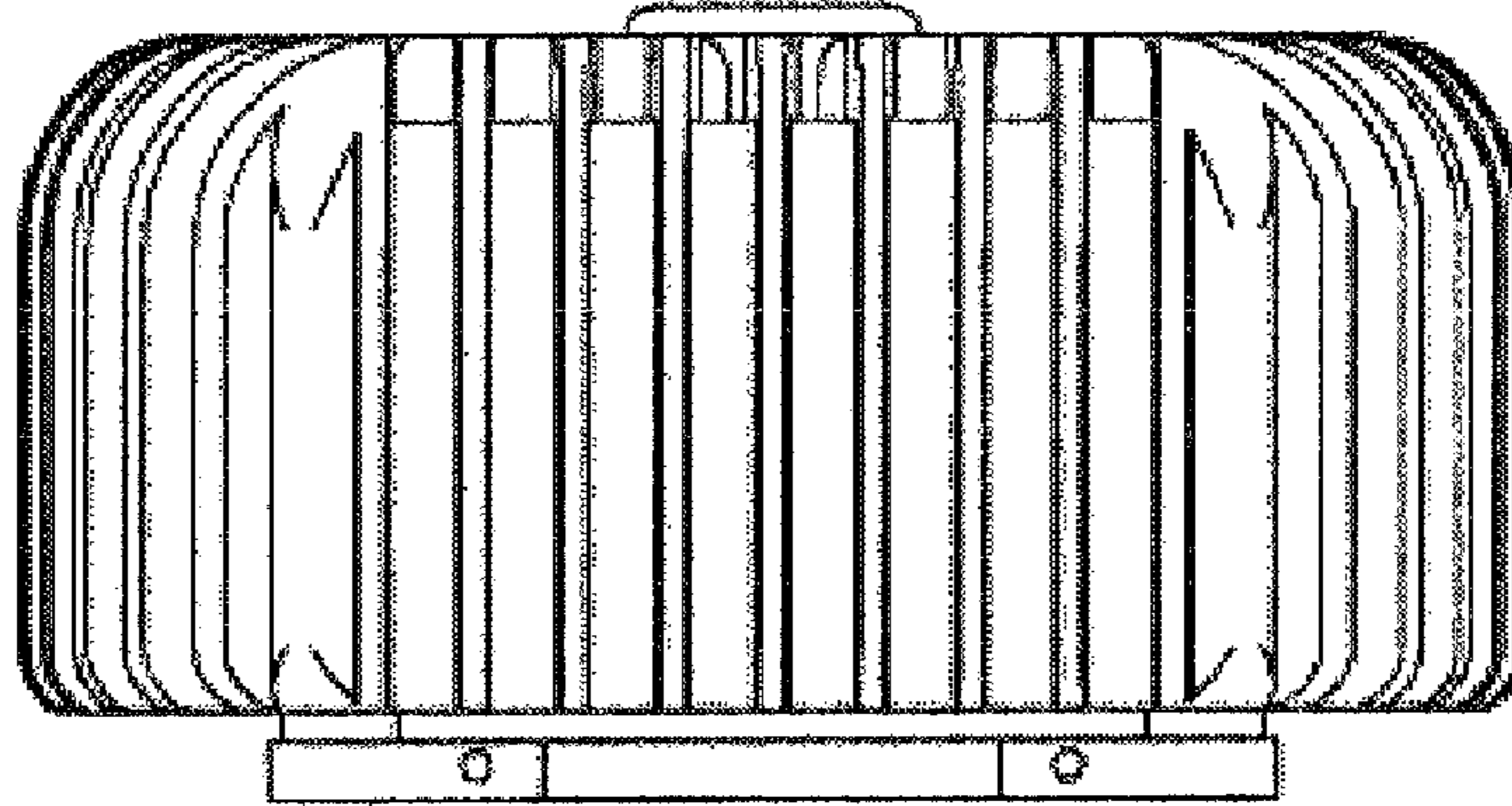


Figure 14

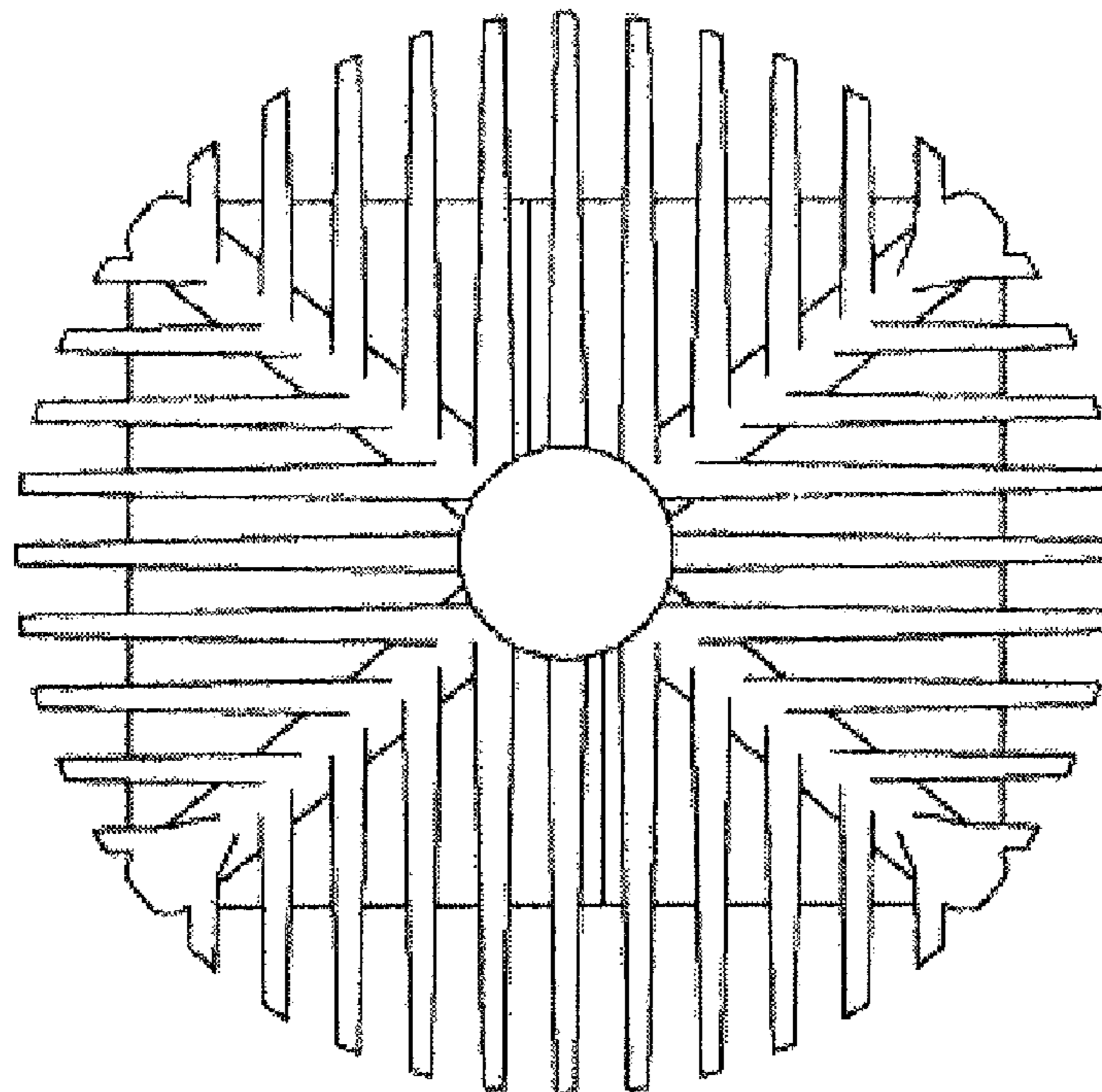


Figure 15

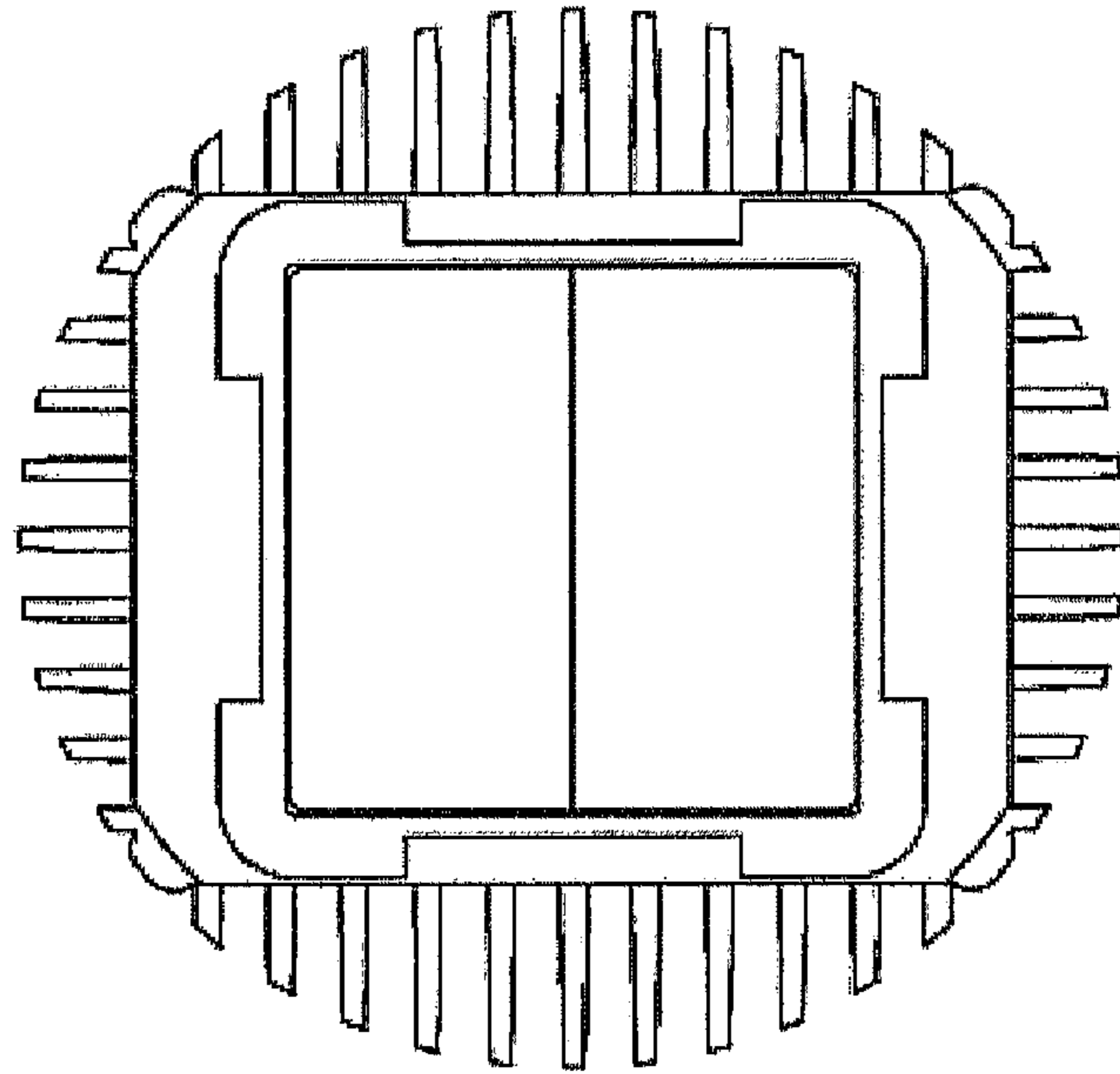


Figure 16

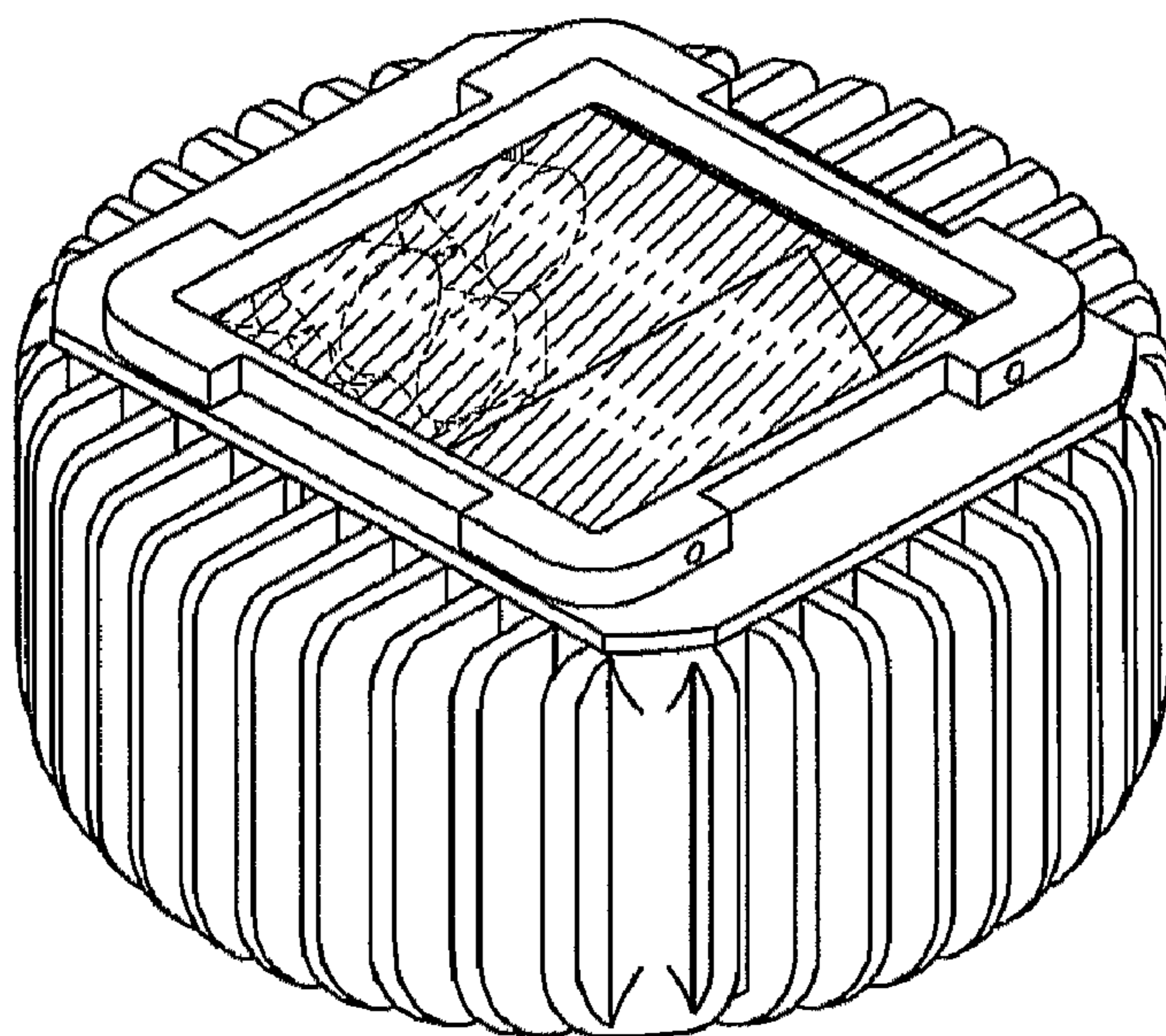


Figure 17

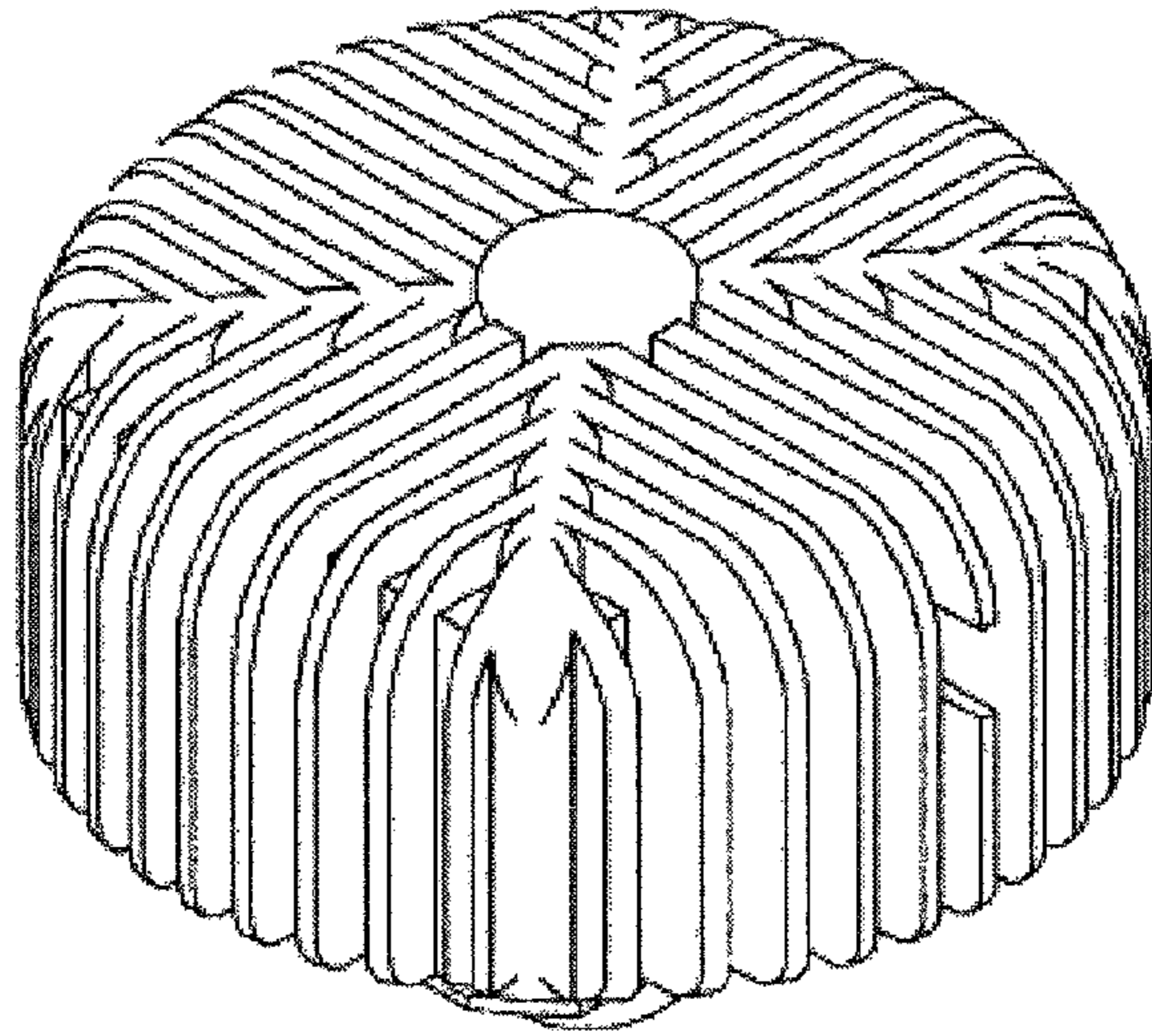


Figure 18

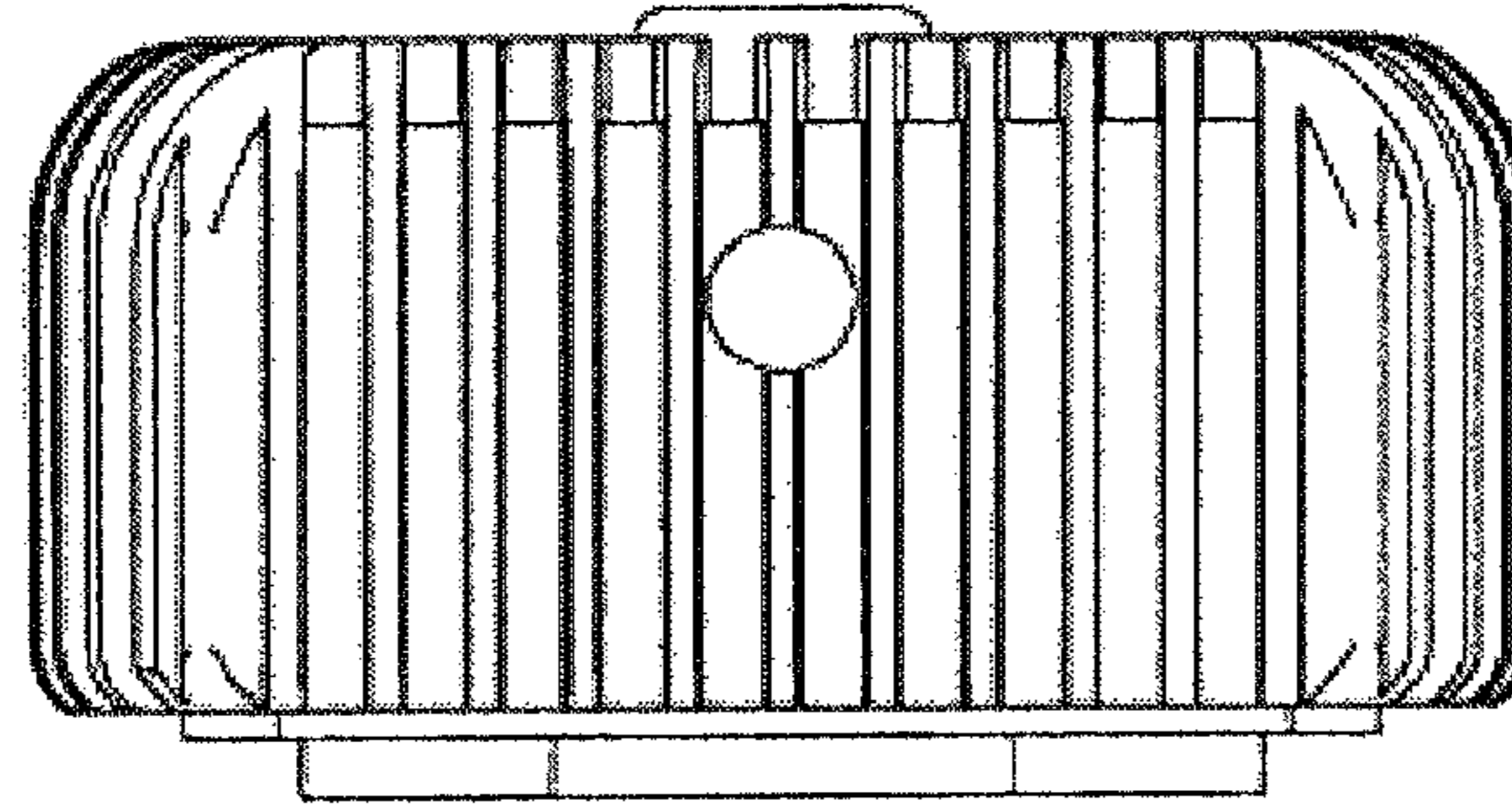


Figure 19

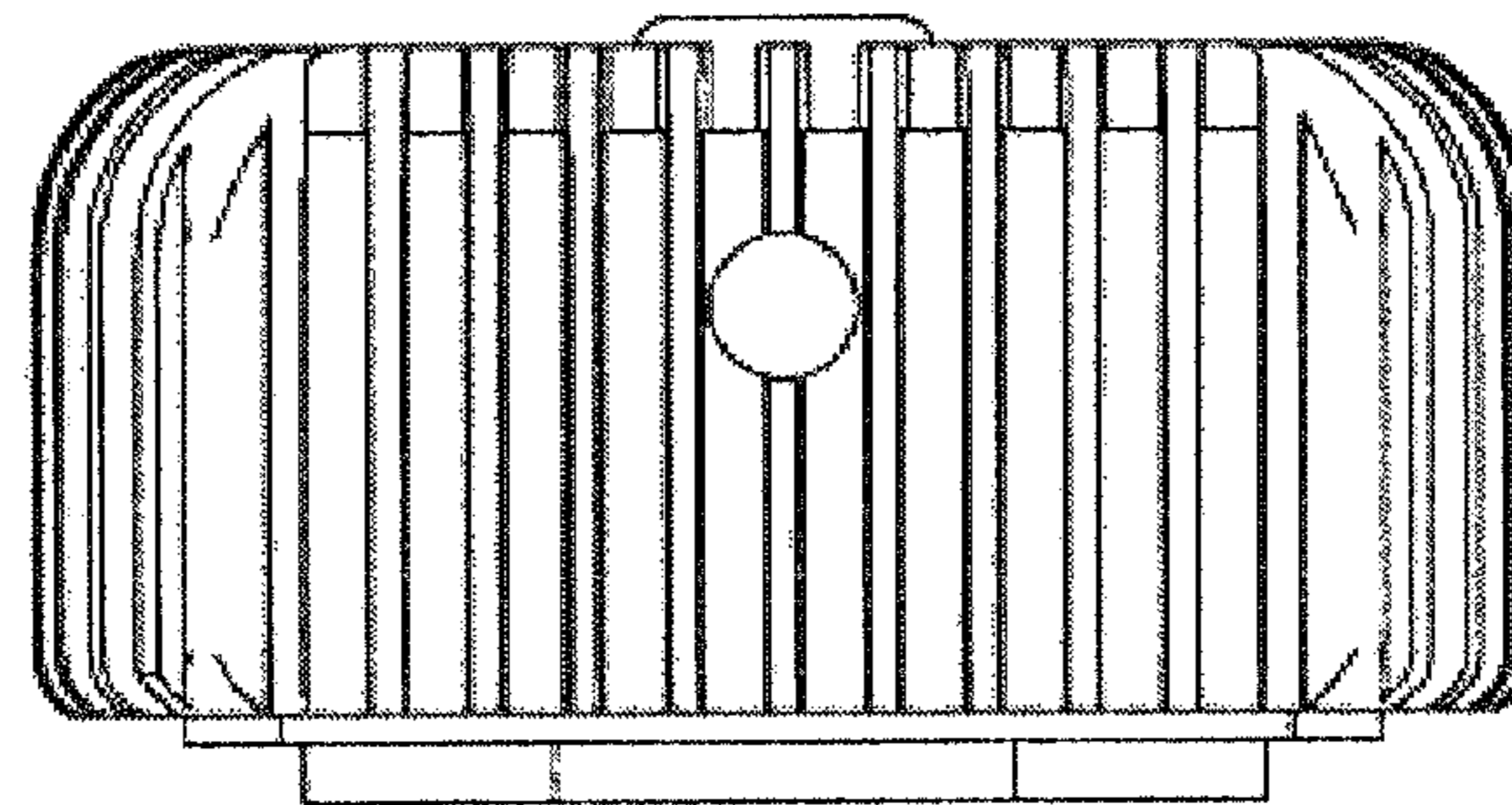


Figure 20

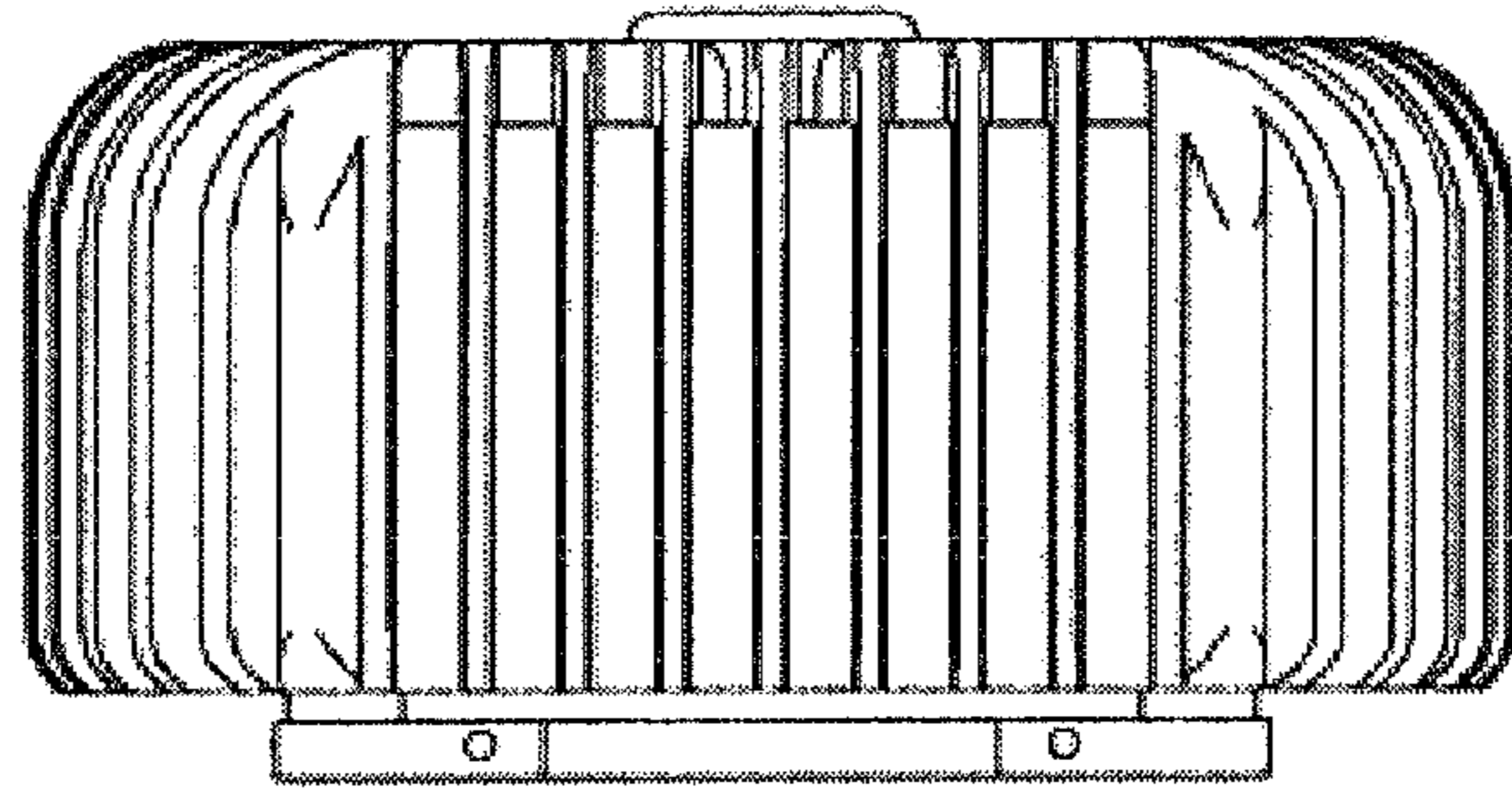


Figure 21

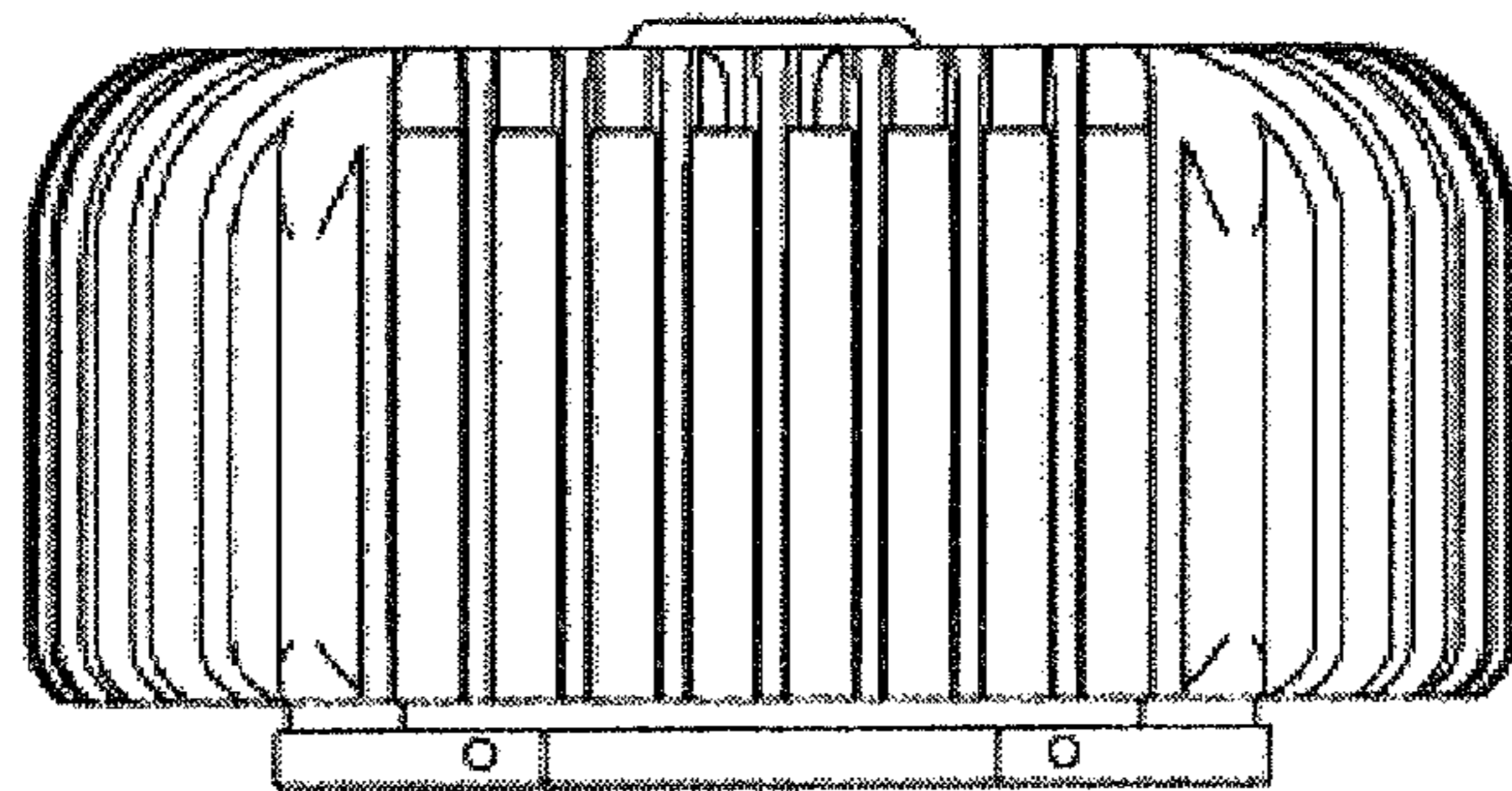


Figure 22

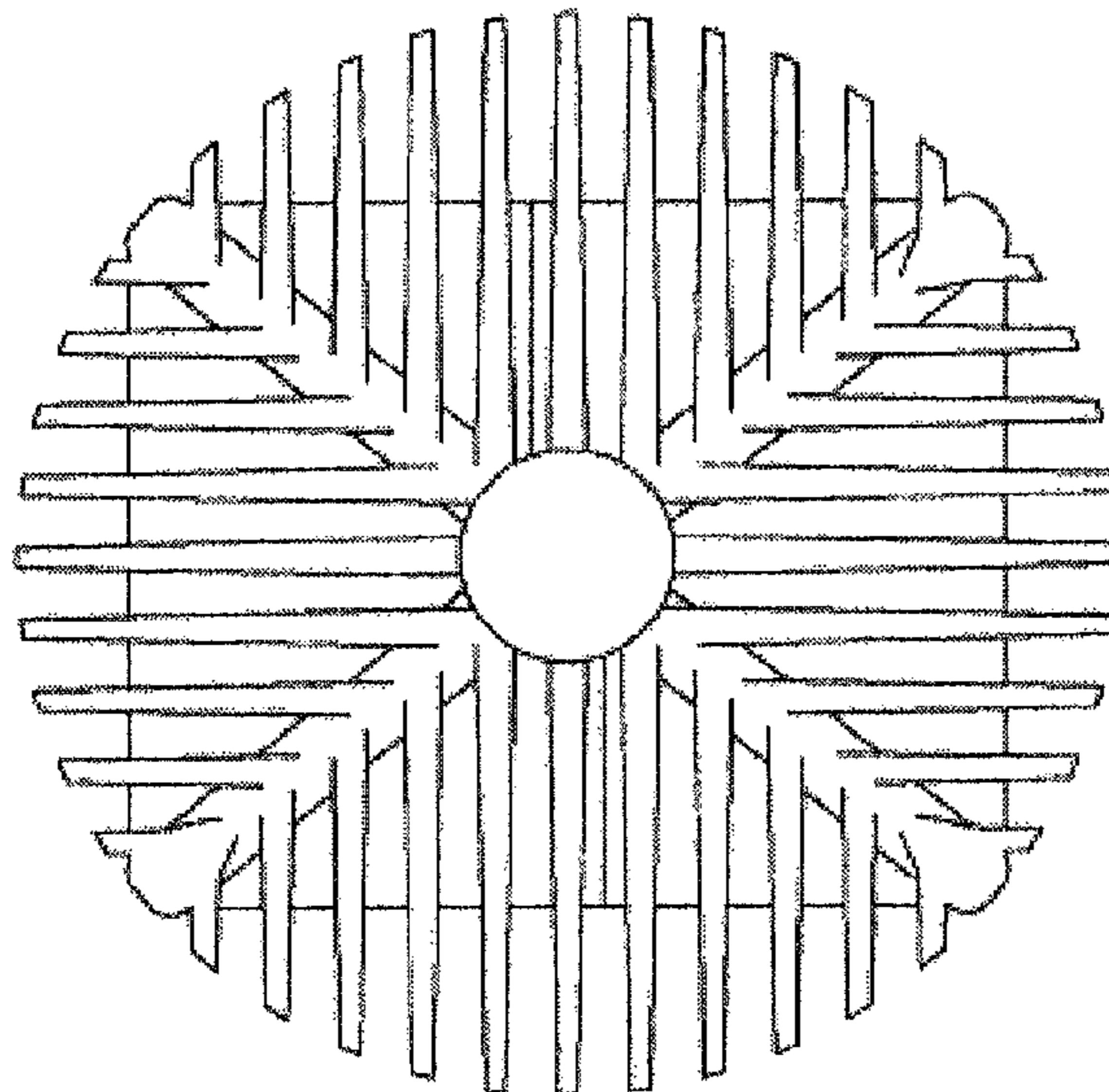


Figure 23

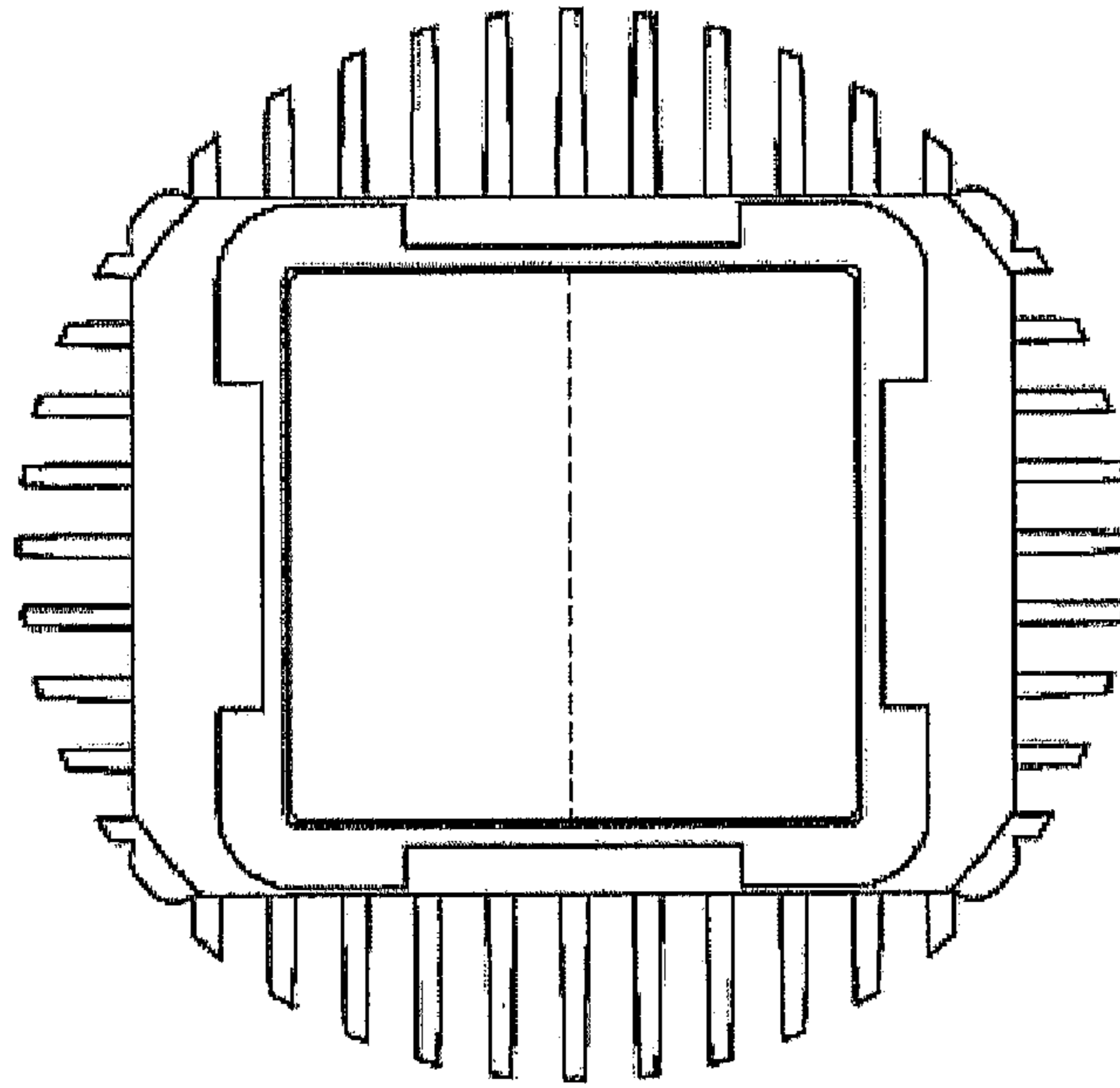


Figure 24

