



US00D672904S

(12) **United States Design Patent**
Tang et al.

(10) **Patent No.:** **US D672,904 S**

(45) **Date of Patent:** **** Dec. 18, 2012**

(54) **READING LAMP**

(75) Inventors: **Chiang-Kuo Tang**, New Taipei (TW);
Ding-Ding Zhang, Shenzhen (CN);
Li-Dong Zhang, Shenzhen (CN)

(73) Assignee: **Hon Hai Precision Industry Co., Ltd.**,
Tu-Cheng, New Taipei (TW)

(**) Term: **14 Years**

(21) Appl. No.: **29/398,146**

(22) Filed: **Jul. 27, 2011**

(51) **LOC (9) Cl.** **26-03**

(52) **U.S. Cl.** **D26/93**

(58) **Field of Classification Search** D26/24,
D26/61-67, 93, 102, 104-105, 108-109;
362/509, 516, 523, 186, 217, 255, 257, 277,
362/317, 319, 351, 354, 355, 357, 358, 362,
362/382, 410, 413, 417, 806

See application file for complete search history.

(56) **References Cited**

U.S. PATENT DOCUMENTS

D301,632	S	*	6/1989	Lohrentz	D26/61
D329,098	S	*	9/1992	Lu	D26/62
D468,855	S	*	1/2003	Gismondi	D26/109
D618,844	S	*	6/2010	Huang	D26/93
D637,332	S	*	5/2011	Lee	D26/63
D639,491	S	*	6/2011	Chen	D26/93
D641,916	S	*	7/2011	Witsch	D26/93

* cited by examiner

Primary Examiner — Brian N Vinson

(74) *Attorney, Agent, or Firm* — Altis Law Group, Inc.

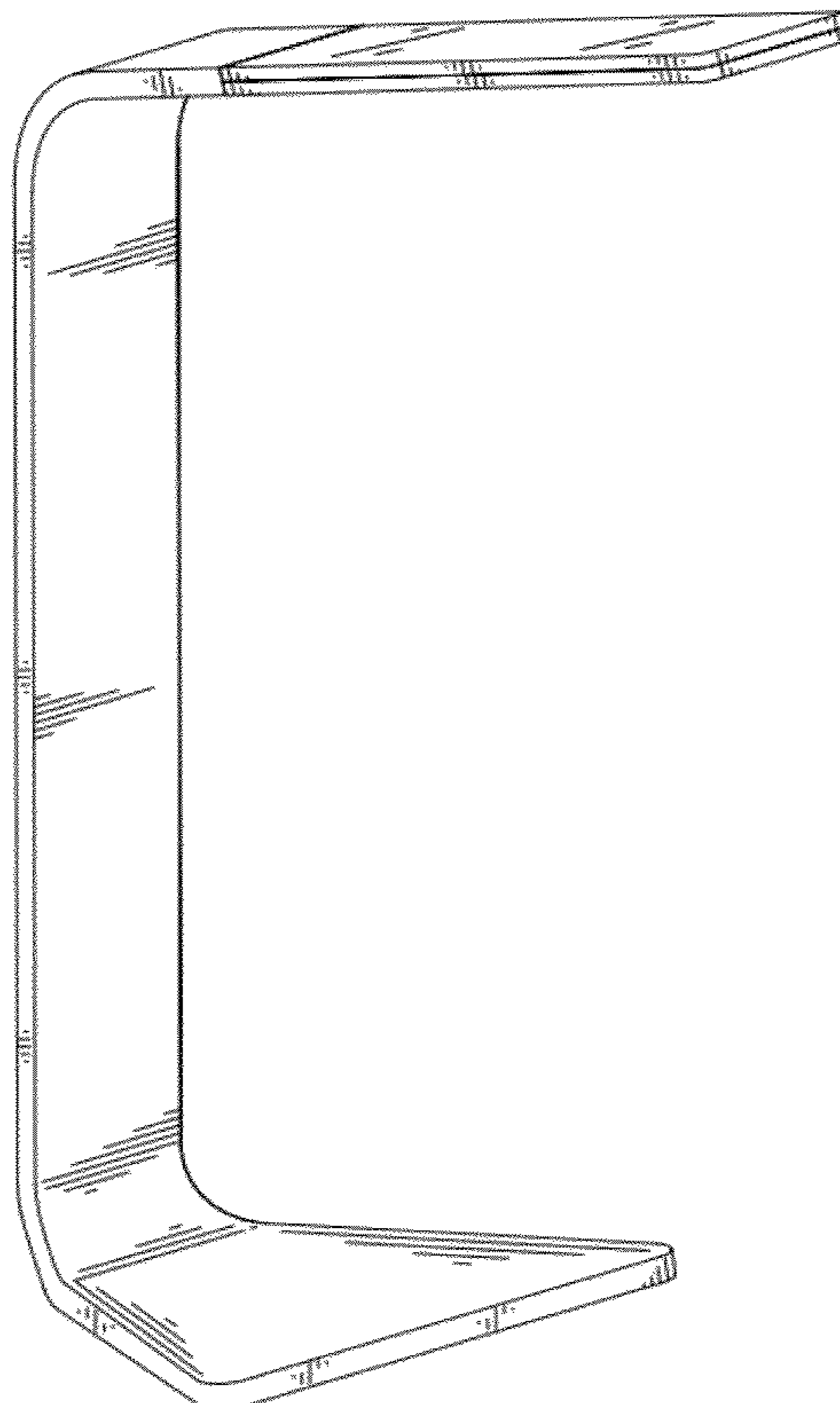
(57) **CLAIM**

The ornamental design for a reading lamp, as shown and described.

DESCRIPTION

FIG. 1 is a perspective view of a reading lamp showing our new design;
FIG. 2 is a front elevational view thereof;
FIG. 3 is a rear elevational view thereof;
FIG. 4 is a left side elevational view thereof;
FIG. 5 is a right side elevational view thereof;
FIG. 6 is a top plan view thereof; and,
FIG. 7 is a bottom plan view thereof.

1 Claim, 7 Drawing Sheets



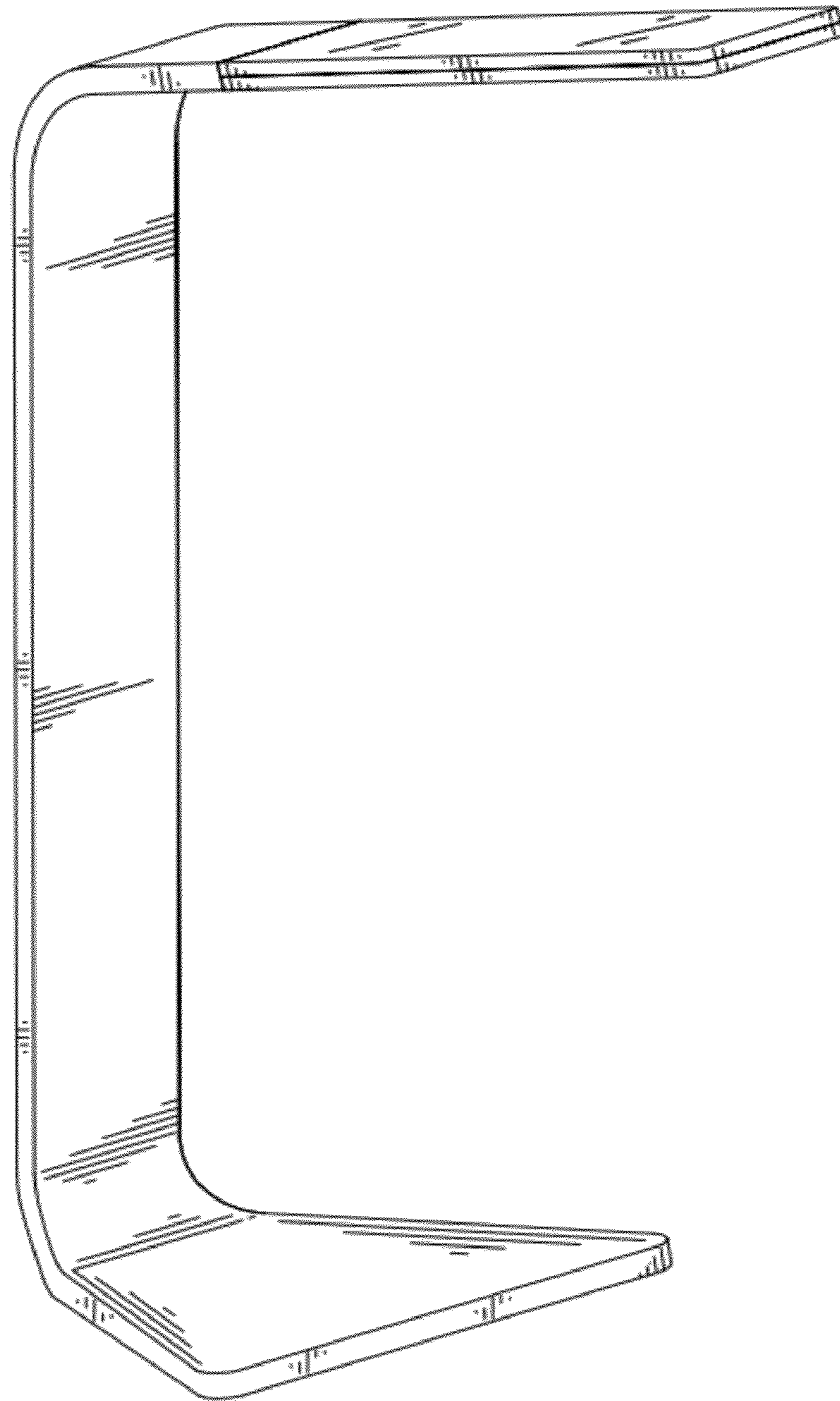


FIG. 1

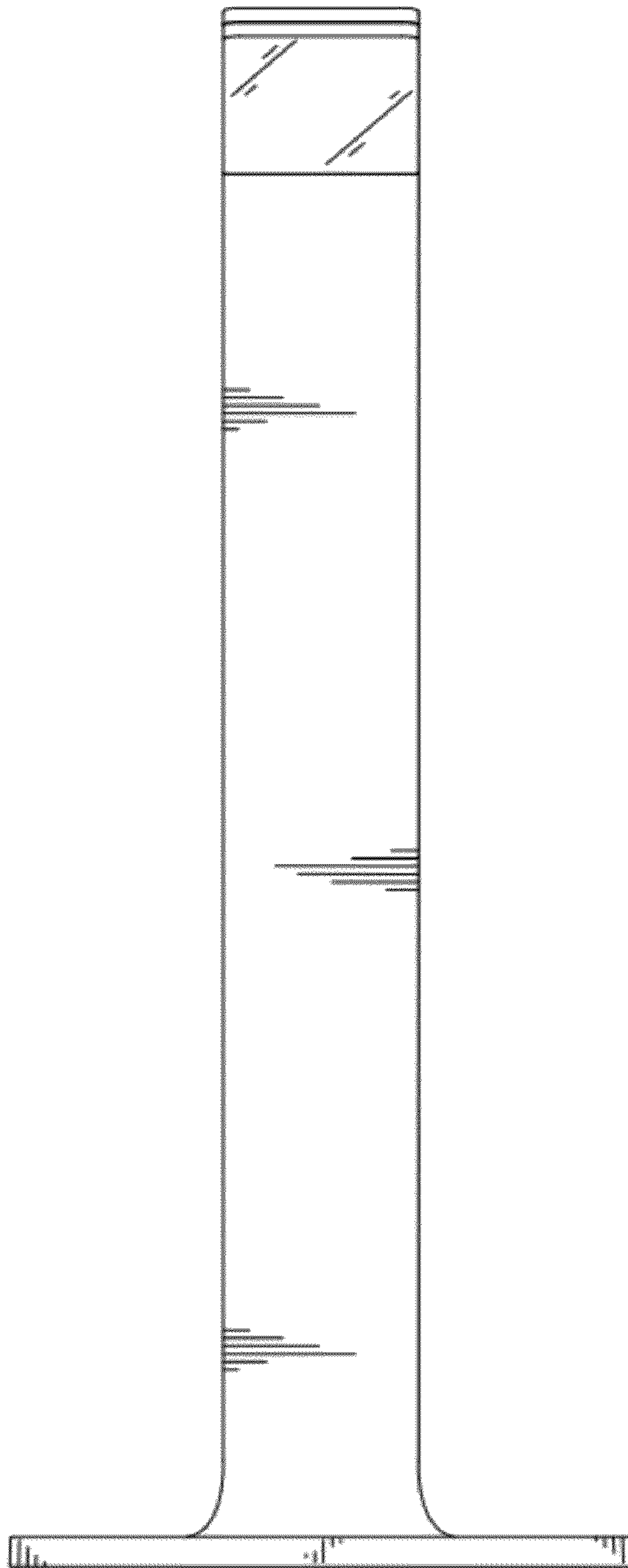


FIG. 2

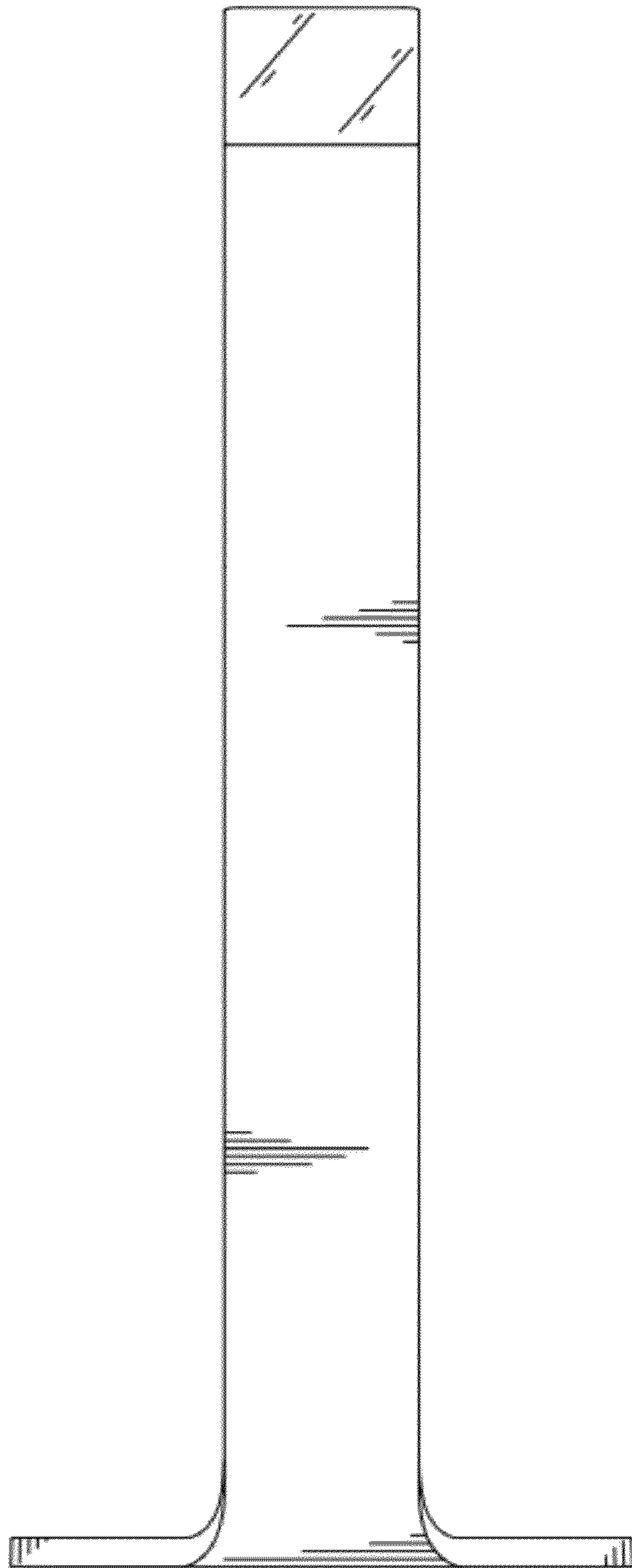


FIG. 3

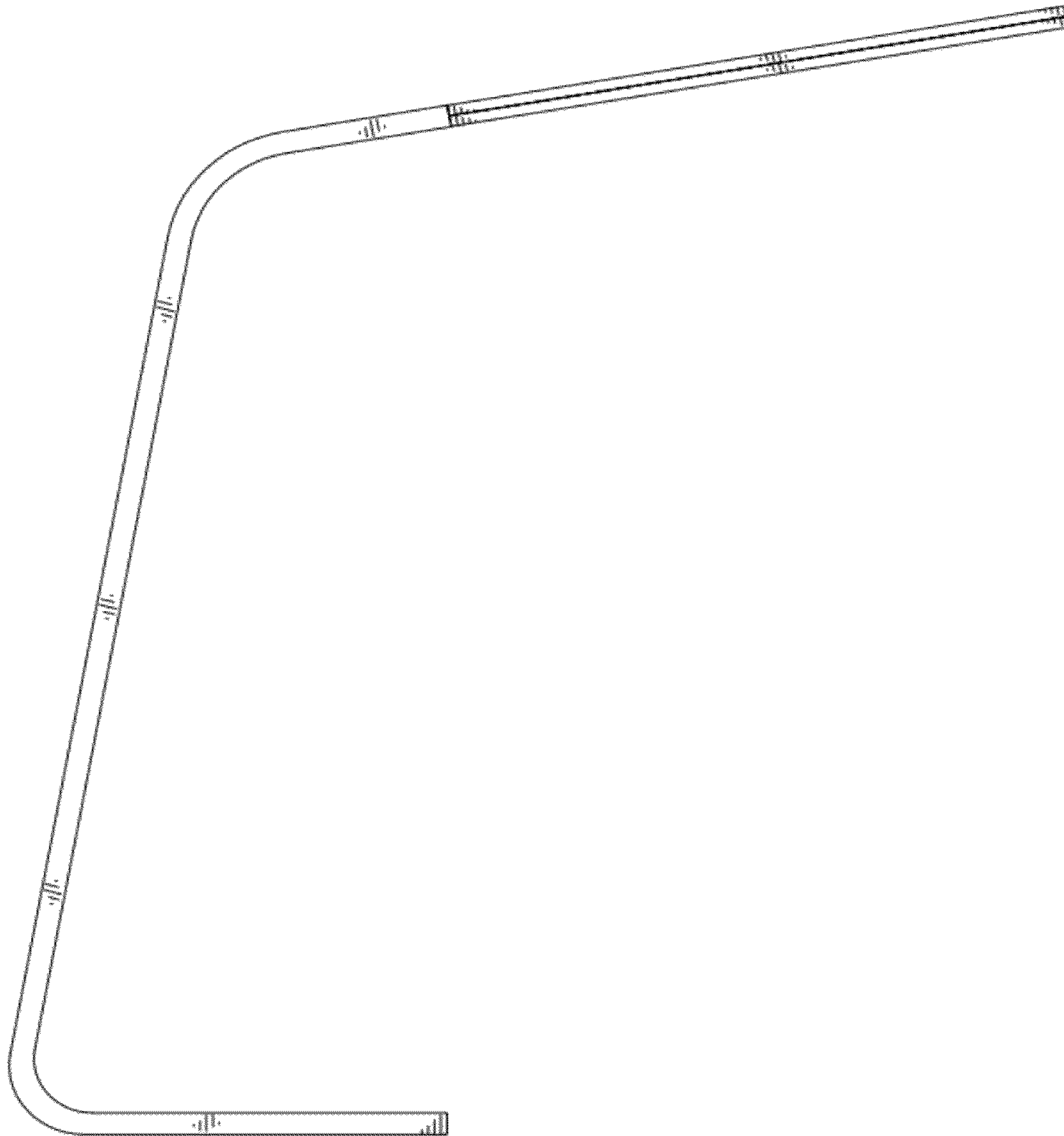


FIG. 4

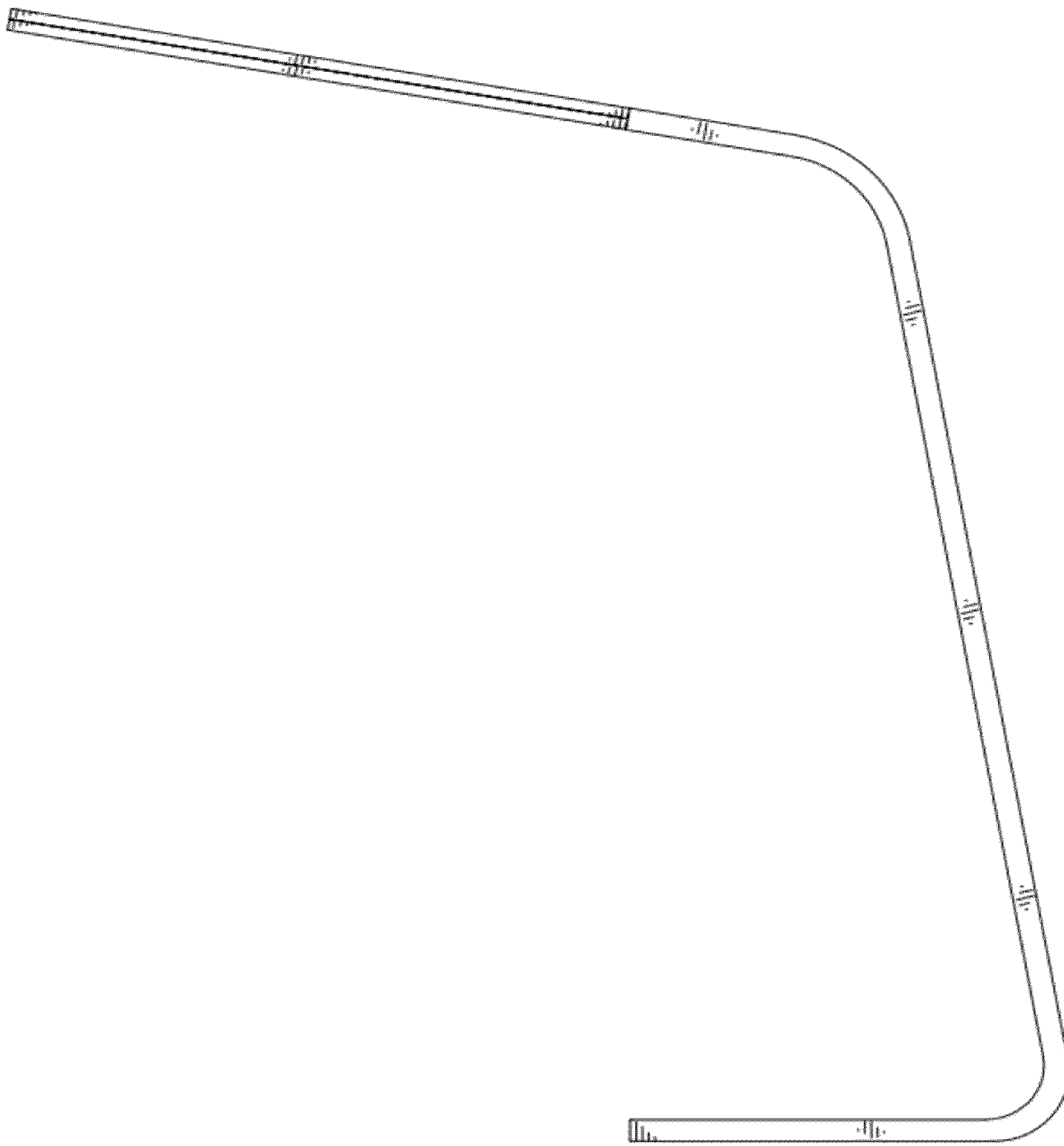


FIG. 5

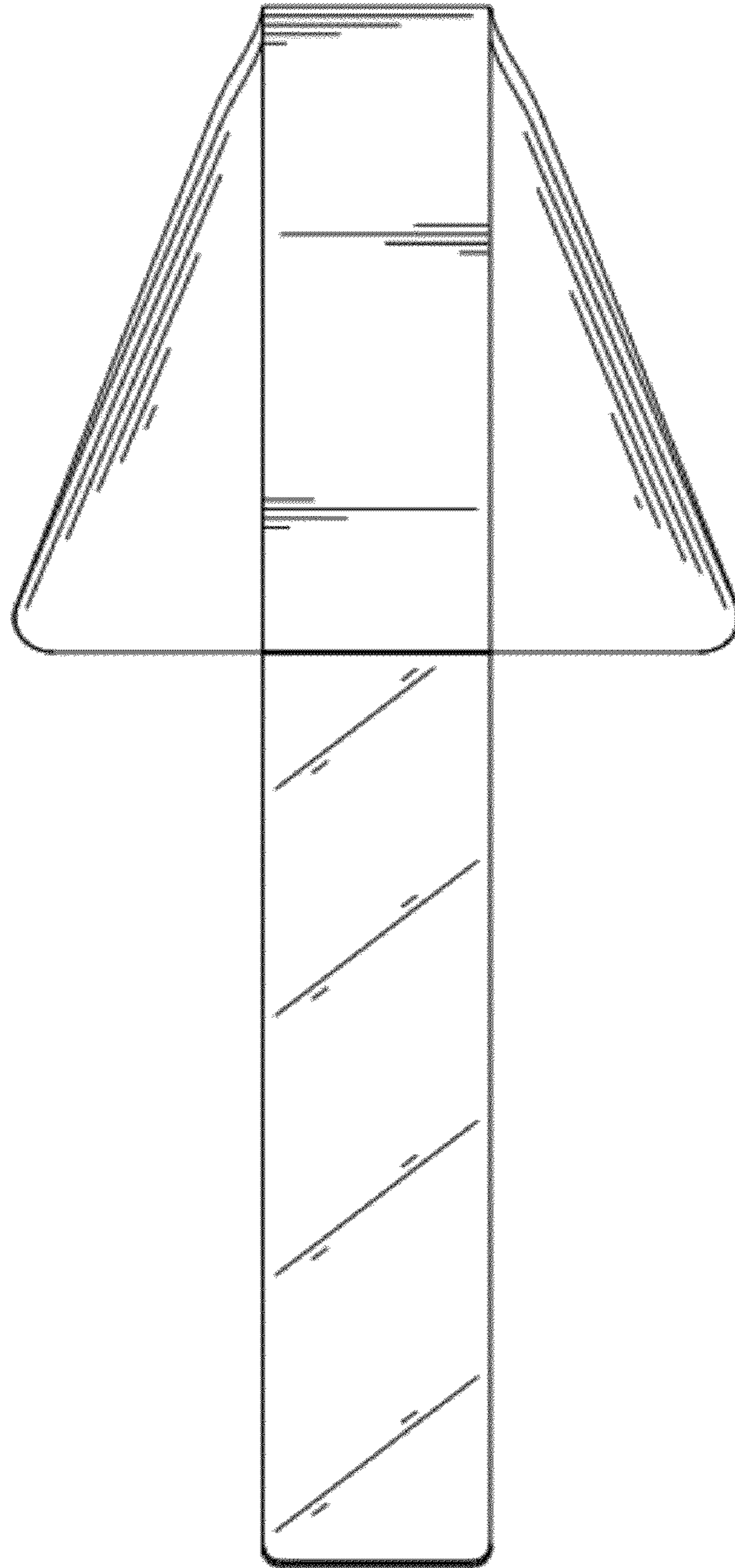


FIG. 6

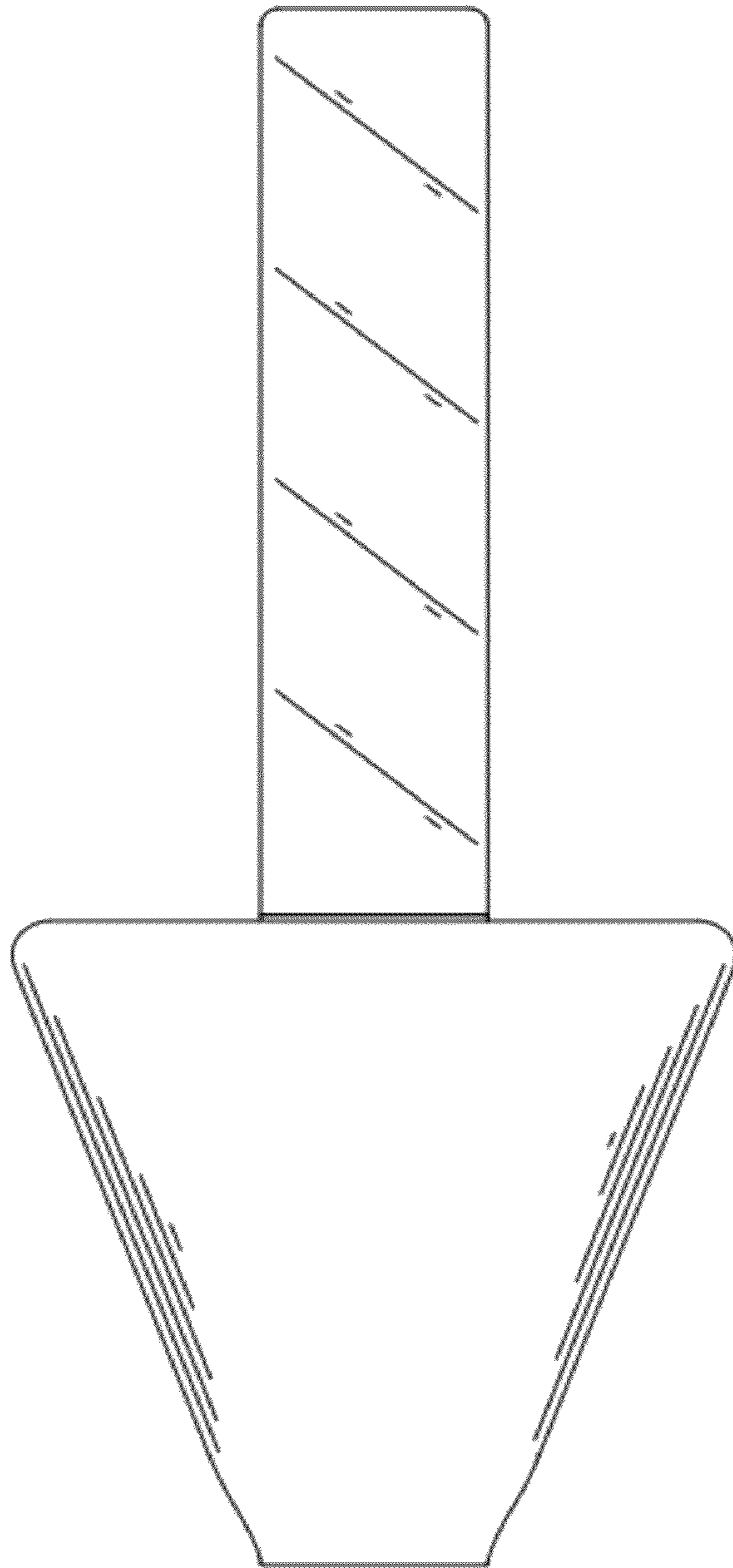


FIG. 7